



US00D820501S

(12) **United States Design Patent**
Amato et al.

(10) **Patent No.:** **US D820,501 S**
(45) **Date of Patent:** **** Jun. 12, 2018**

(54) **LIGHTING FIXTURE**

(71) Applicant: **The Urban Electric Company**, North Charleston, SC (US)

(72) Inventors: **Michael Amato**, Johns Island, SC (US); **David Dawson**, Charleston, SC (US); **Jonathan Charpia**, Summerville, SC (US); **Christopher Roof**, Charleston, SC (US); **Joeangel Casanova**, North Charleston, SC (US); **Courteney Salsbury**, Mount Pleasant, SC (US); **Brianna Magagnoli**, Charleston, SC (US)

(73) Assignee: **The Urban Electric Company**, North Charleston, SC (US)

(**) Term: **15 Years**

(21) Appl. No.: **29/574,379**

(22) Filed: **Aug. 15, 2016**

(51) **LOC (11) Cl.** **26-03**

(52) **U.S. Cl.**
USPC **D26/88**

(58) **Field of Classification Search**
USPC D26/72, 80, 81, 84, 85, 86, 87, 88, 90, D26/91, 93, 103-105
CPC F21S 8/043; F21S 8/046; F21S 8/06; F21S 8/061; F21S 8/063; F21S 8/065; F21S 8/068; F21S 8/083
See application file for complete search history.

(56) **References Cited**

U.S. PATENT DOCUMENTS

D16,950 S * 10/1886 Clarke D26/138
D38,253 S * 9/1906 Chisholm D26/88

D39,143 S * 2/1908 Ryan et al. D26/88
D87,213 S * 6/1932 Hoffmann D26/90
D125,317 S * 2/1941 Sabatini D26/88
D167,080 S * 6/1952 Huegel D26/88
D436,210 S * 1/2001 Miranda D26/81
D441,121 S * 4/2001 Dolan D26/86
D620,180 S * 7/2010 Sabernig D26/84
D731,695 S * 6/2015 Pyle D26/88
D780,367 S * 2/2017 Clark D26/88
9,587,806 B2 * 3/2017 Liu F21V 21/08
D805,237 S * 12/2017 Amato D26/88

* cited by examiner

Primary Examiner — Clare E Heflin

(74) *Attorney, Agent, or Firm* — Jeffrey T. Stover; Haynsworth Sinkler Boyd, P.A.

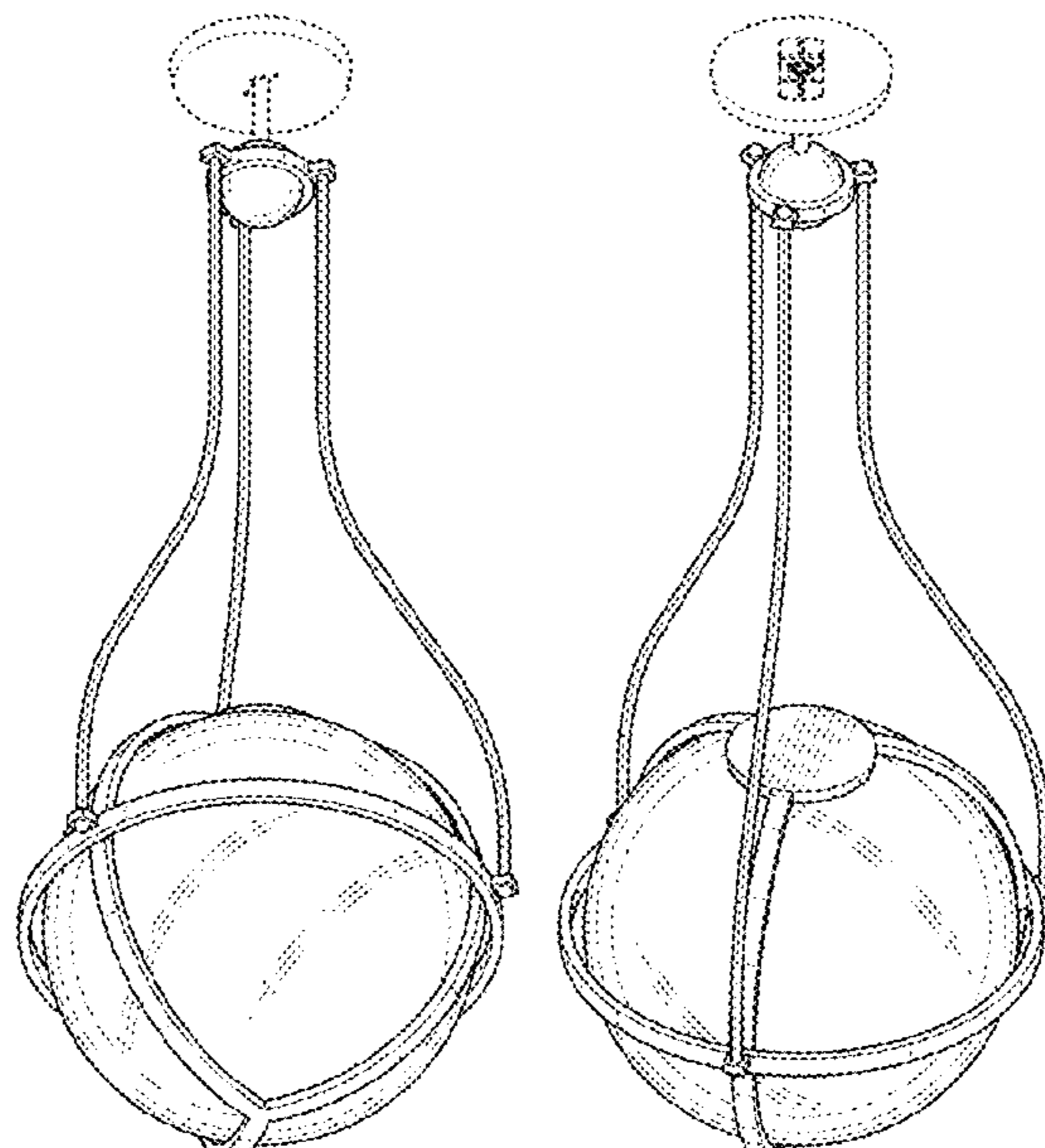
(57) **CLAIM**

The ornamental design for a lighting fixture, as shown and described.

DESCRIPTION

FIG. 1 is a bottom perspective view of a lighting fixture showing the new design;
FIG. 2 is a front elevational view thereof;
FIG. 3 is a back elevational view thereof.
FIG. 4 is a right side elevational view thereof;
FIG. 5 is a left side elevational view thereof;
FIG. 6 is a top plan view thereof;
FIG. 7 is a bottom plan view thereof; and,
FIG. 8 is a top perspective view thereof.
The broken line disclosure in the views represents environmental structure which forms no part of the claimed design.

1 Claim, 8 Drawing Sheets



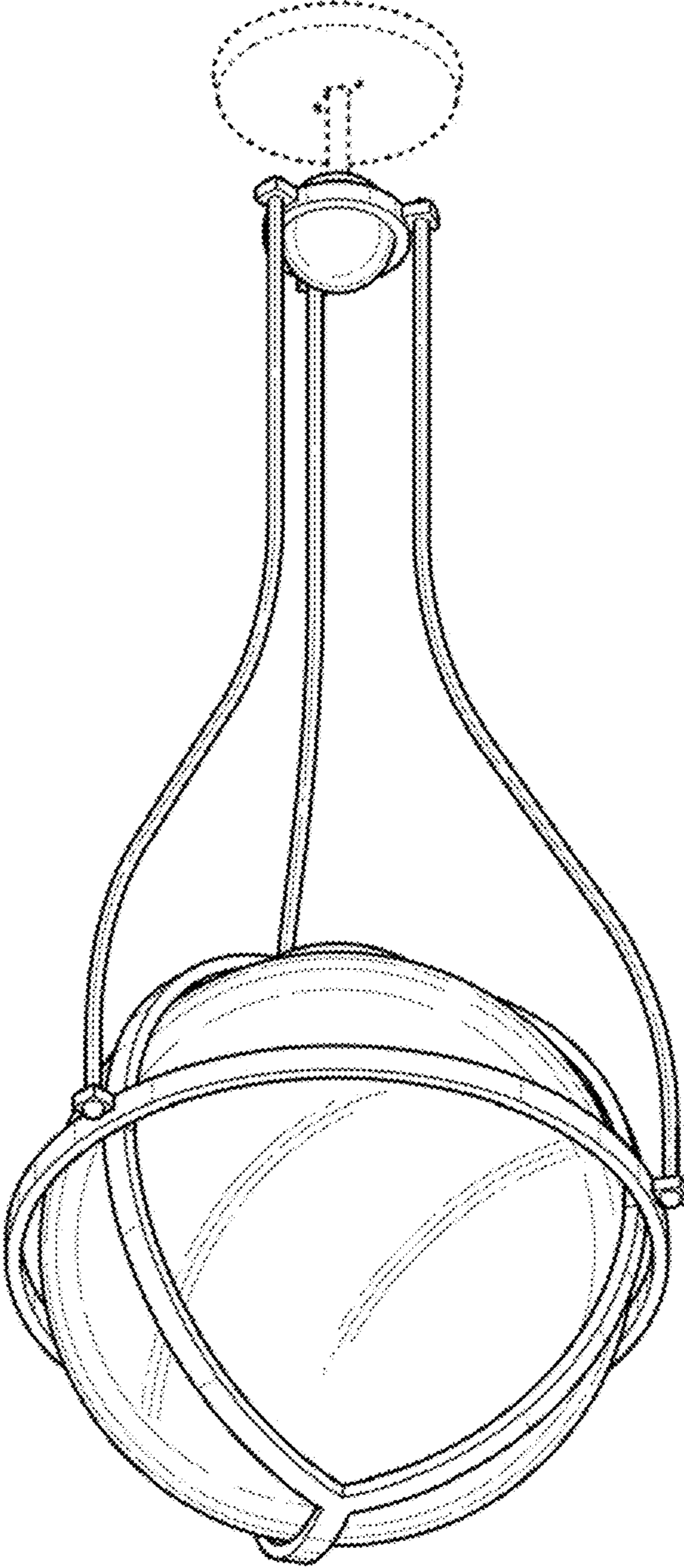


FIG. 1

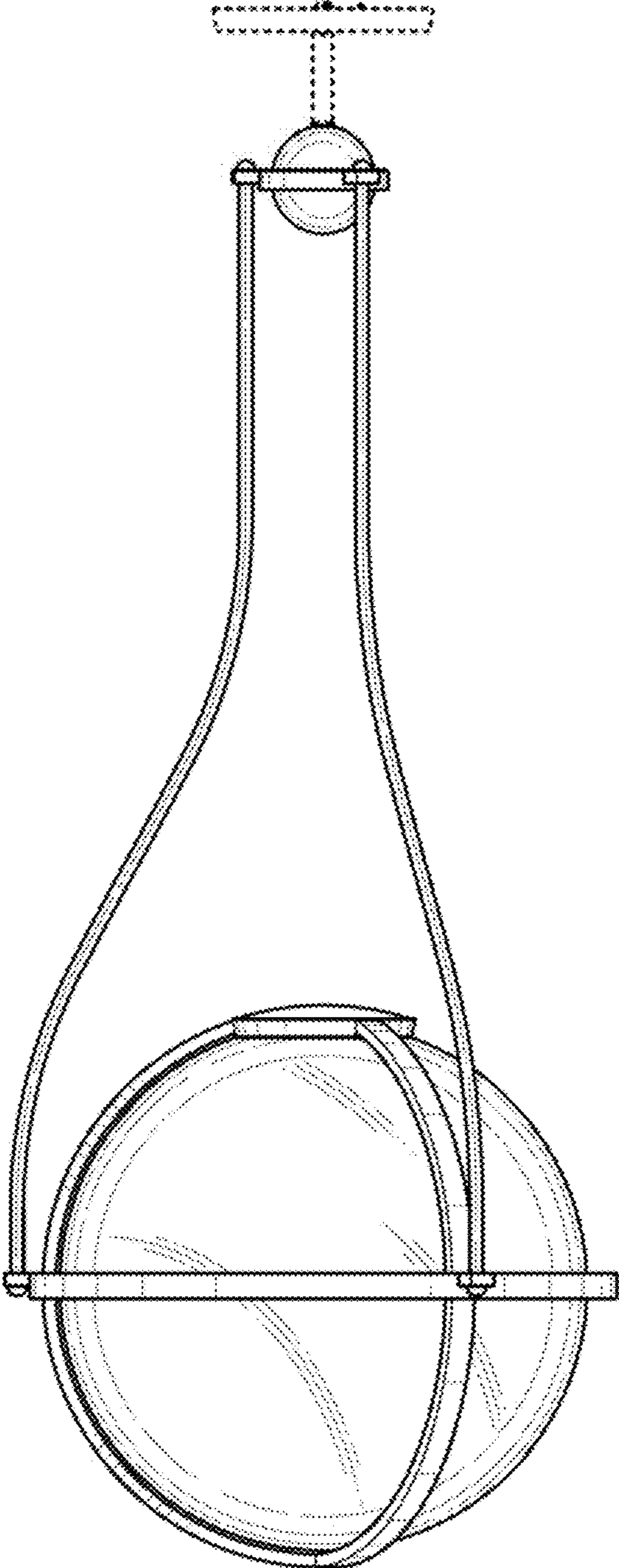


FIG. 2

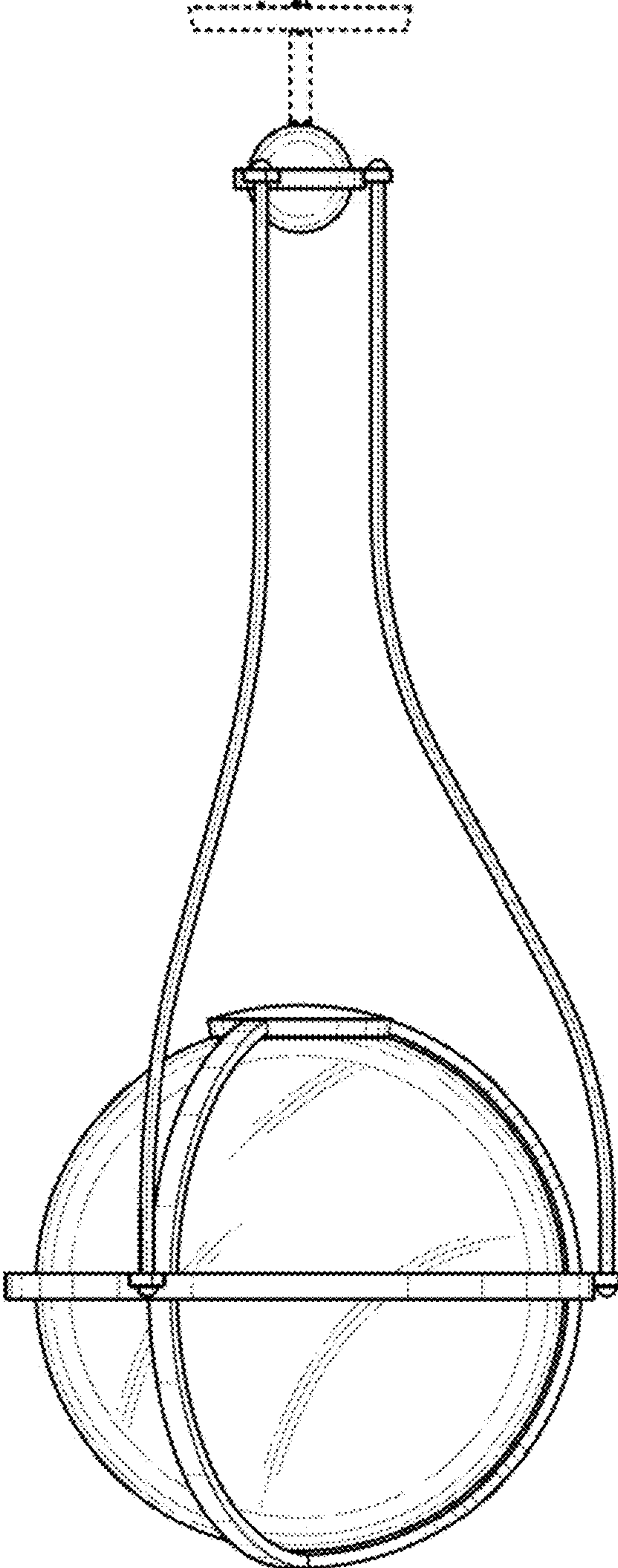


FIG. 3

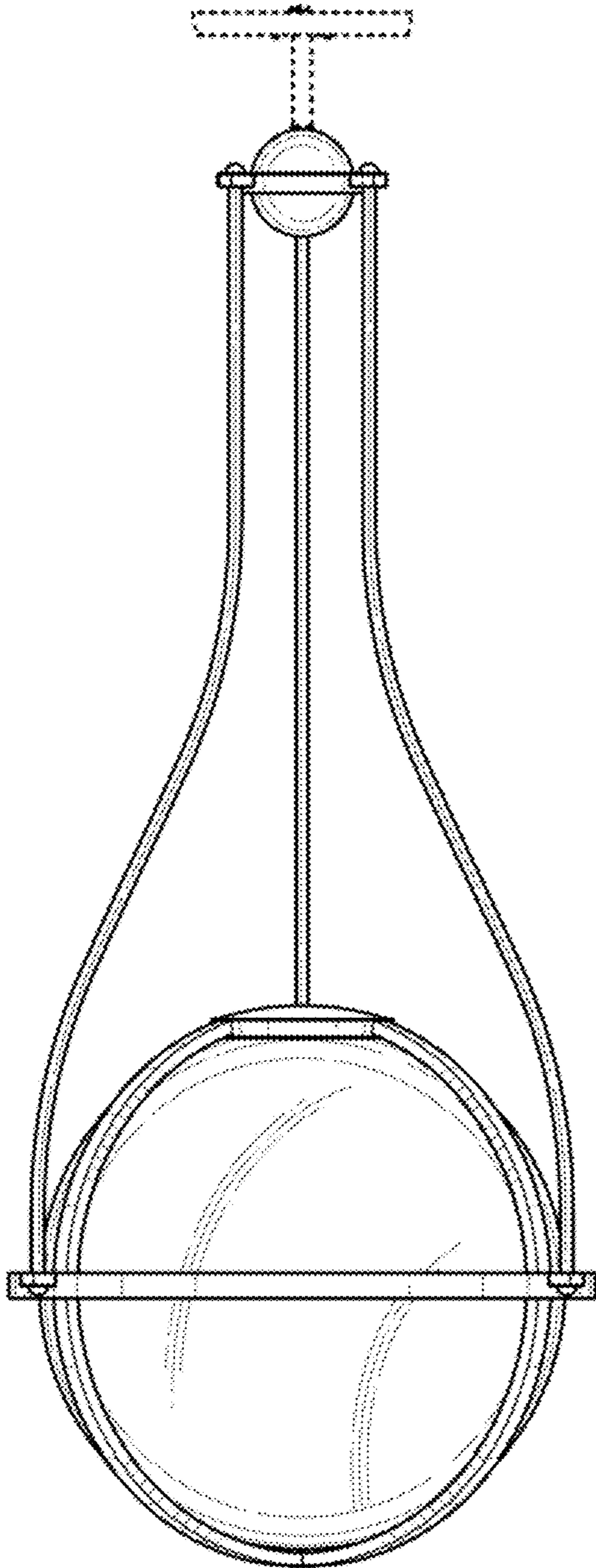


FIG. 4

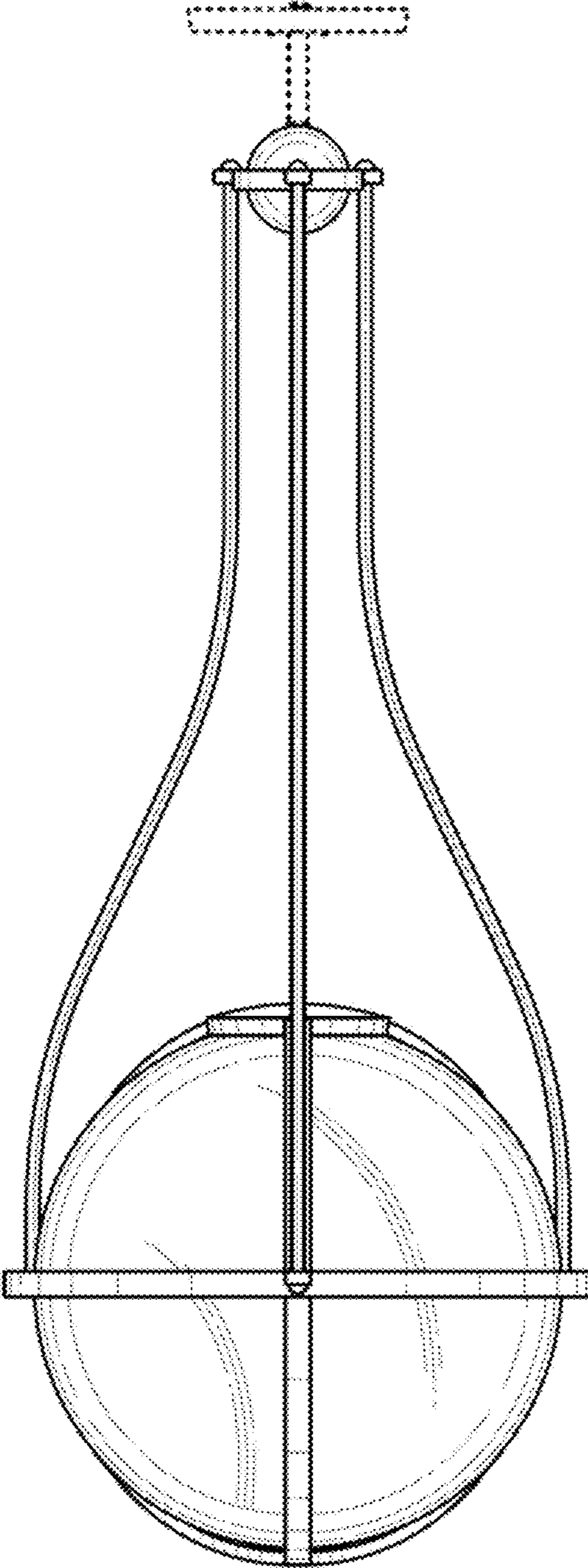


FIG. 5

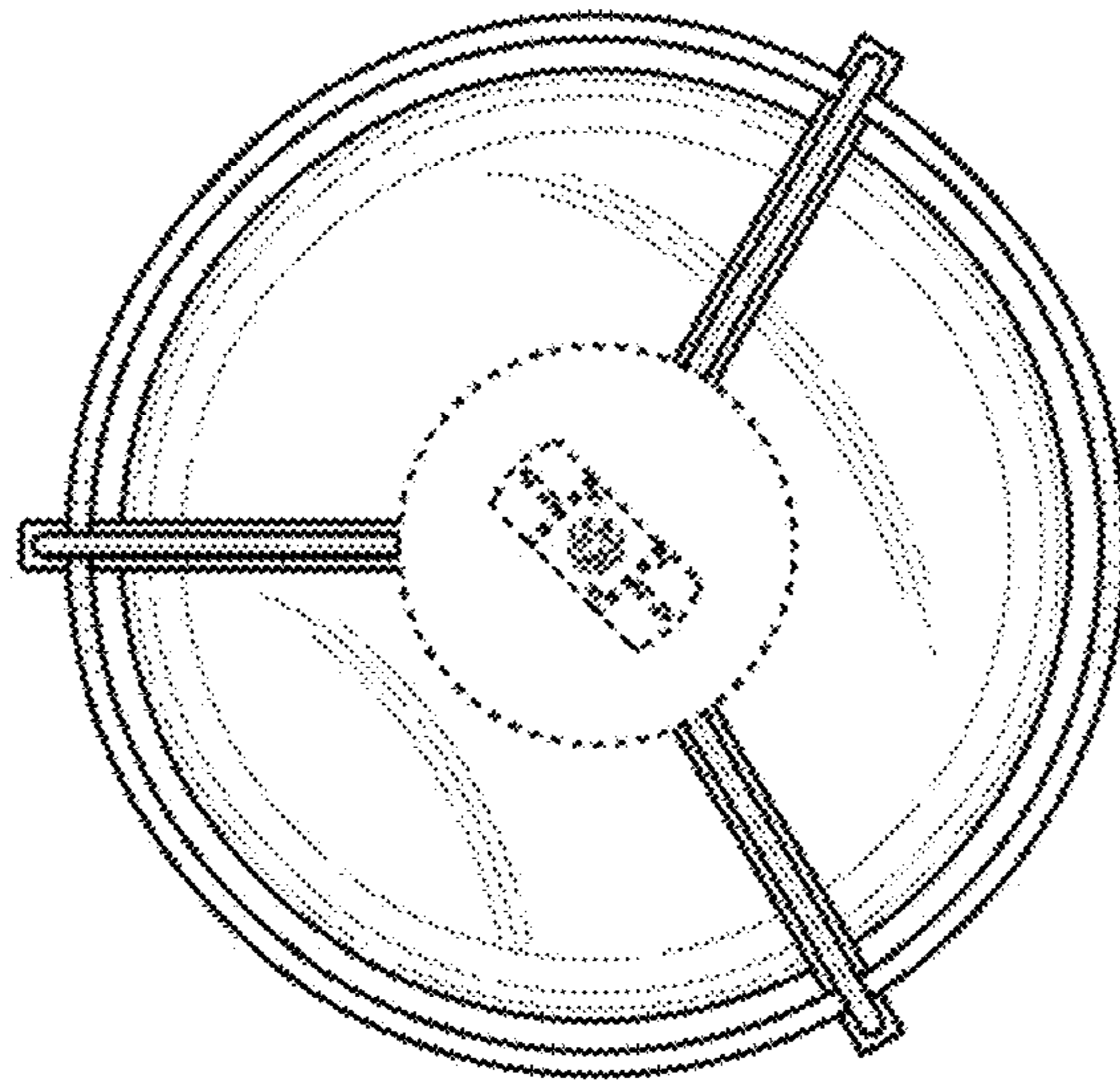


FIG. 6

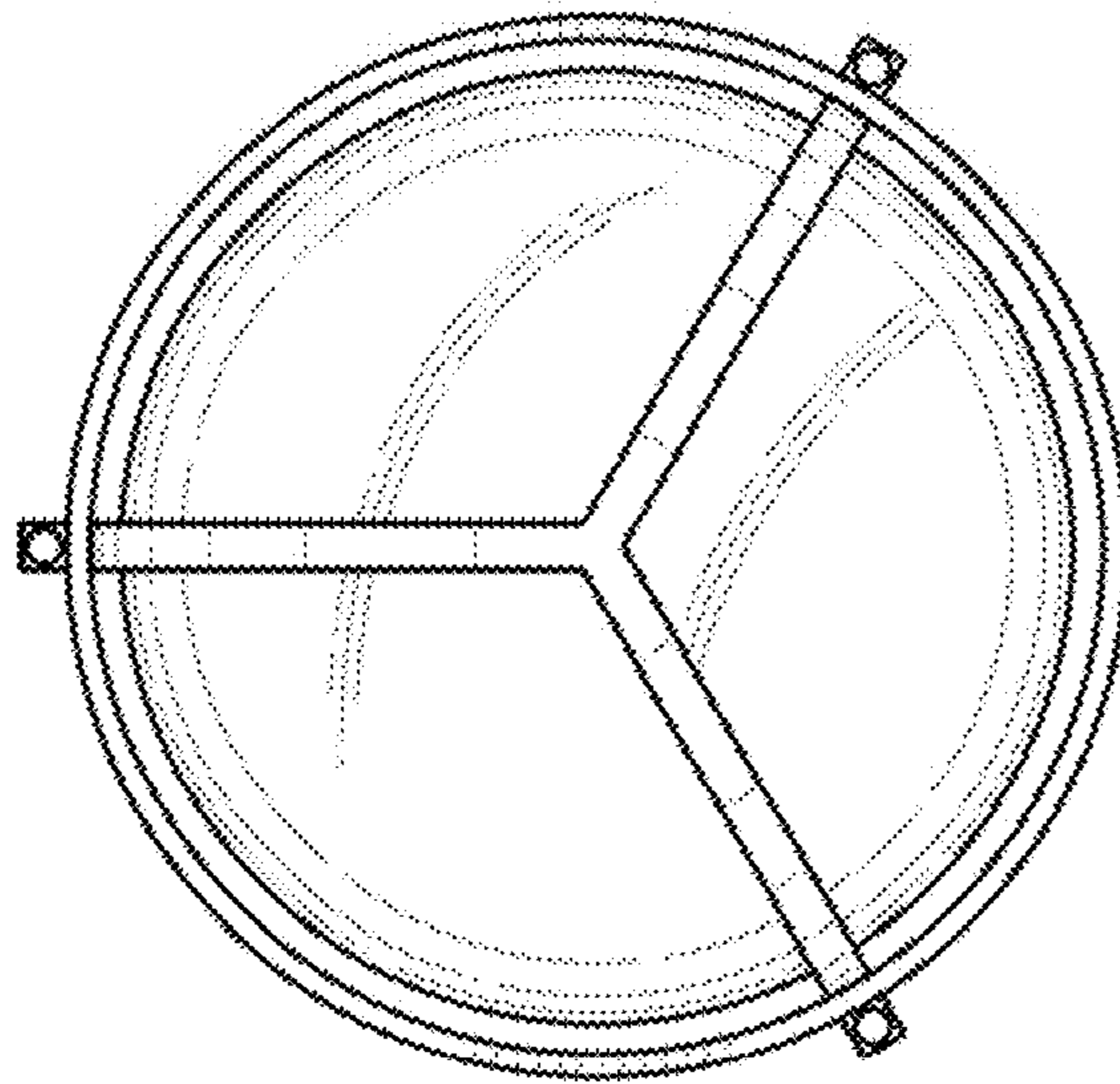


FIG. 7

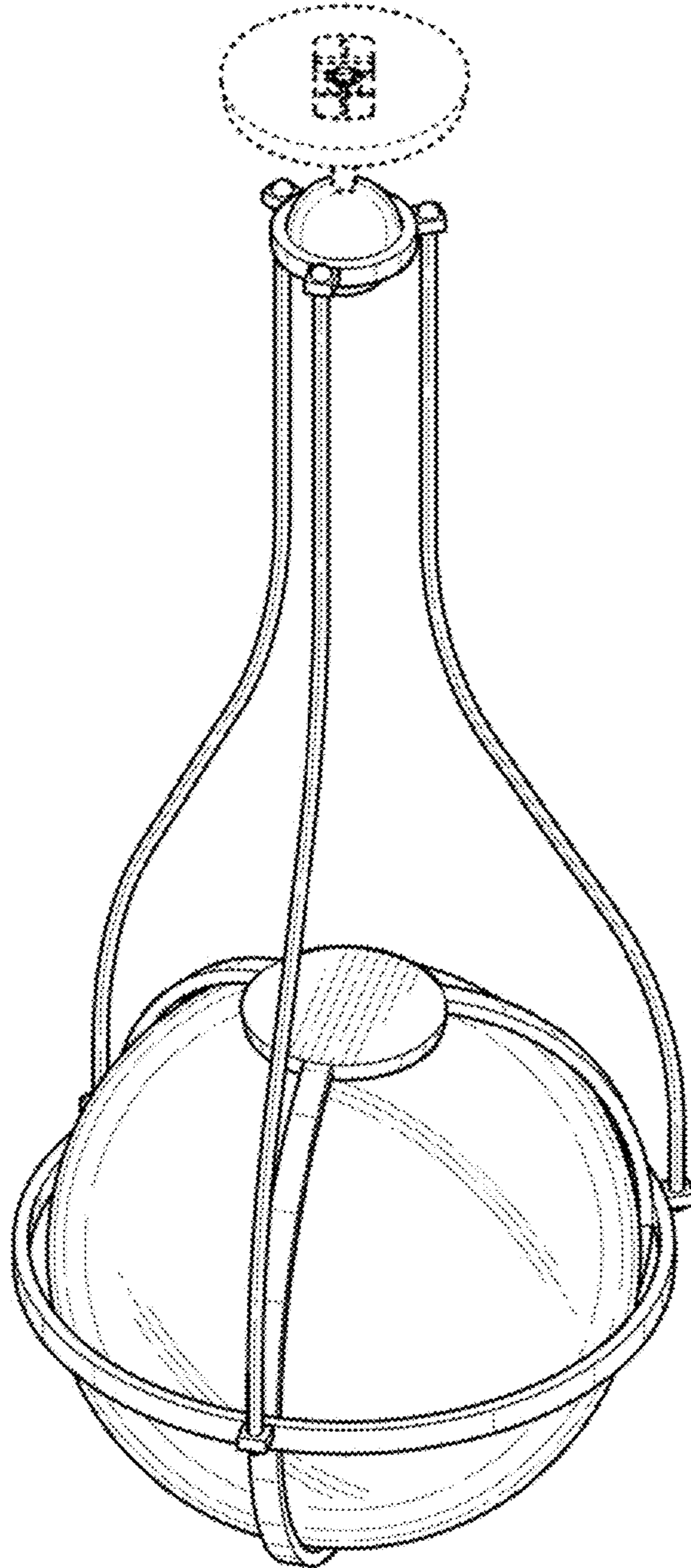


FIG. 8