



US00D820499S

(12) **United States Design Patent**
Zhou et al.

(10) **Patent No.:** **US D820,499 S**

(45) **Date of Patent:** **** Jun. 12, 2018**

(54) **CHANDELIER**

(71) Applicant: **MAINHOUSE (XIAMEN)
ELECTRONICS CO., LTD.**, Xiamen
(CN)

(72) Inventors: **Nanqing Zhou**, Xiamen (CN); **Ting
Luo**, Xiamen (CN); **Rongkui Wu**,
Xiamen (CN)

(73) Assignee: **MAINHOUSE (XIAMEN)
ELECTRONICS CO., LTD.**, Xiamen,
Fujian (CN)

(**) Term: **15 Years**

(21) Appl. No.: **29/589,993**

(22) Filed: **Jan. 6, 2017**

(51) **LOC (11) Cl.** **26-03**

(52) **U.S. Cl.**
USPC **D26/81; D26/82**

(58) **Field of Classification Search**
USPC D26/72, 80, 81, 82, 83, 84, 85, 86, 87,
D26/88, 90, 91, 92, 107, 118, 129, 132,
D26/134, 136
CPC F21S 8/03; F21S 8/031; F21S 8/04; F21S
8/06; F21S 8/061; F21S 8/063; F21S
8/065

See application file for complete search history.

(56) **References Cited**

U.S. PATENT DOCUMENTS

D37,856 S * 2/1906 Losli D26/91
D226,532 S * 3/1973 Ishii D26/84
D238,506 S * 1/1976 Loveless D26/84
7,226,192 B2 * 6/2007 Chen F21V 21/15
362/269
D601,743 S * 10/2009 Sabernig D26/88

D615,693 S * 5/2010 Thun D26/88
D703,366 S * 4/2014 Crosby D26/85
D703,860 S * 4/2014 Crosby D26/88
D719,697 S * 12/2014 Wanders D26/81
D719,698 S * 12/2014 Mollaghaffari D26/81
D731,105 S * 6/2015 Blackman D26/88
D754,903 S * 4/2016 Sabernig D26/83
D812,800 S * 3/2018 Martin D26/81

OTHER PUBLICATIONS

Jonathon Adler Mini Sputnik Chandelier. Found at
uk.jonathonadler.com visited Mar. 19, 2018. (Year: 2018).*
Large Italian Brass & Glass Sputnik Chandelier found at modern-
ism.com visited Mar. 19, 2018. (Year: 2018).*
Ramirez Chandelier Product No. 89962 from Arteriors. Found at
arteriorshome.com visited Mar. 19, 2018. (Year: 2018).*

* cited by examiner

Primary Examiner — Clare E Heflin

(74) *Attorney, Agent, or Firm* — Leong C. Lei

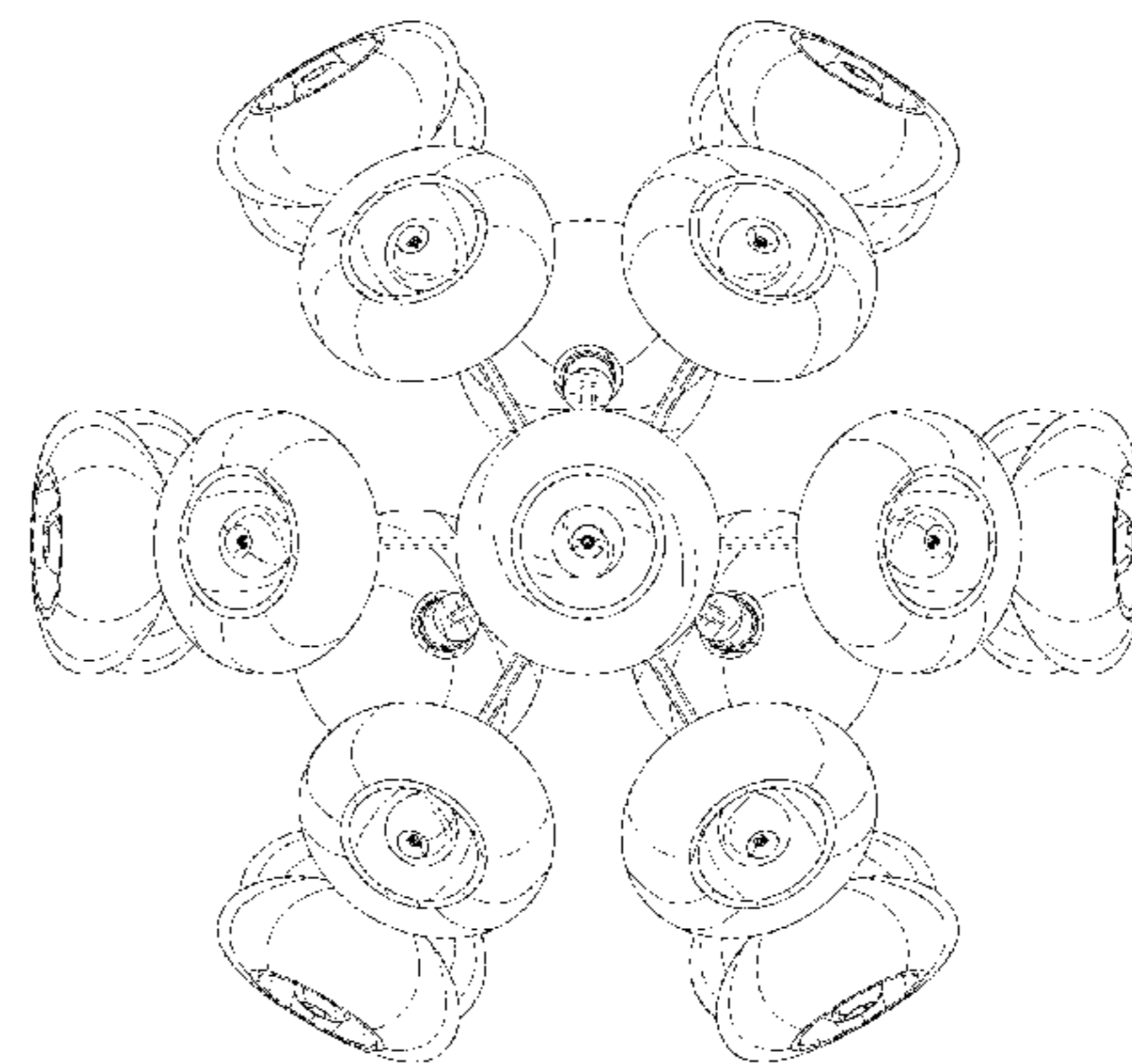
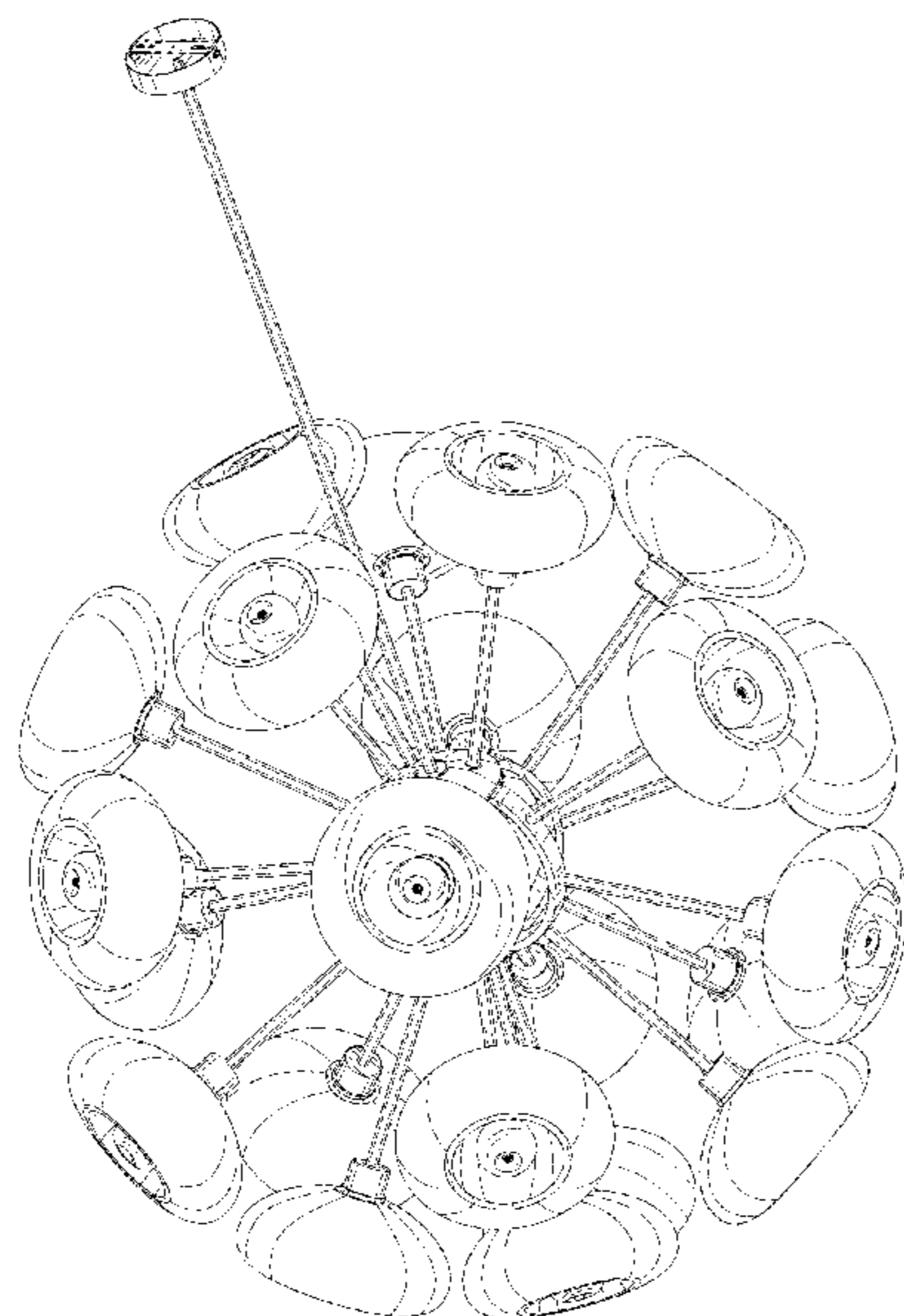
(57) **CLAIM**

The ornamental design for a chandelier, as shown and
described.

DESCRIPTION

FIG. 1 is a perspective view of a chandelier showing my
present design;
FIG. 2 is a front view thereof;
FIG. 3 is a rear view thereof;
FIG. 4 is a left side view thereof;
FIG. 5 is a right side view thereof;
FIG. 6 is a top view thereof; and,
FIG. 7 is a bottom view thereof.

1 Claim, 7 Drawing Sheets



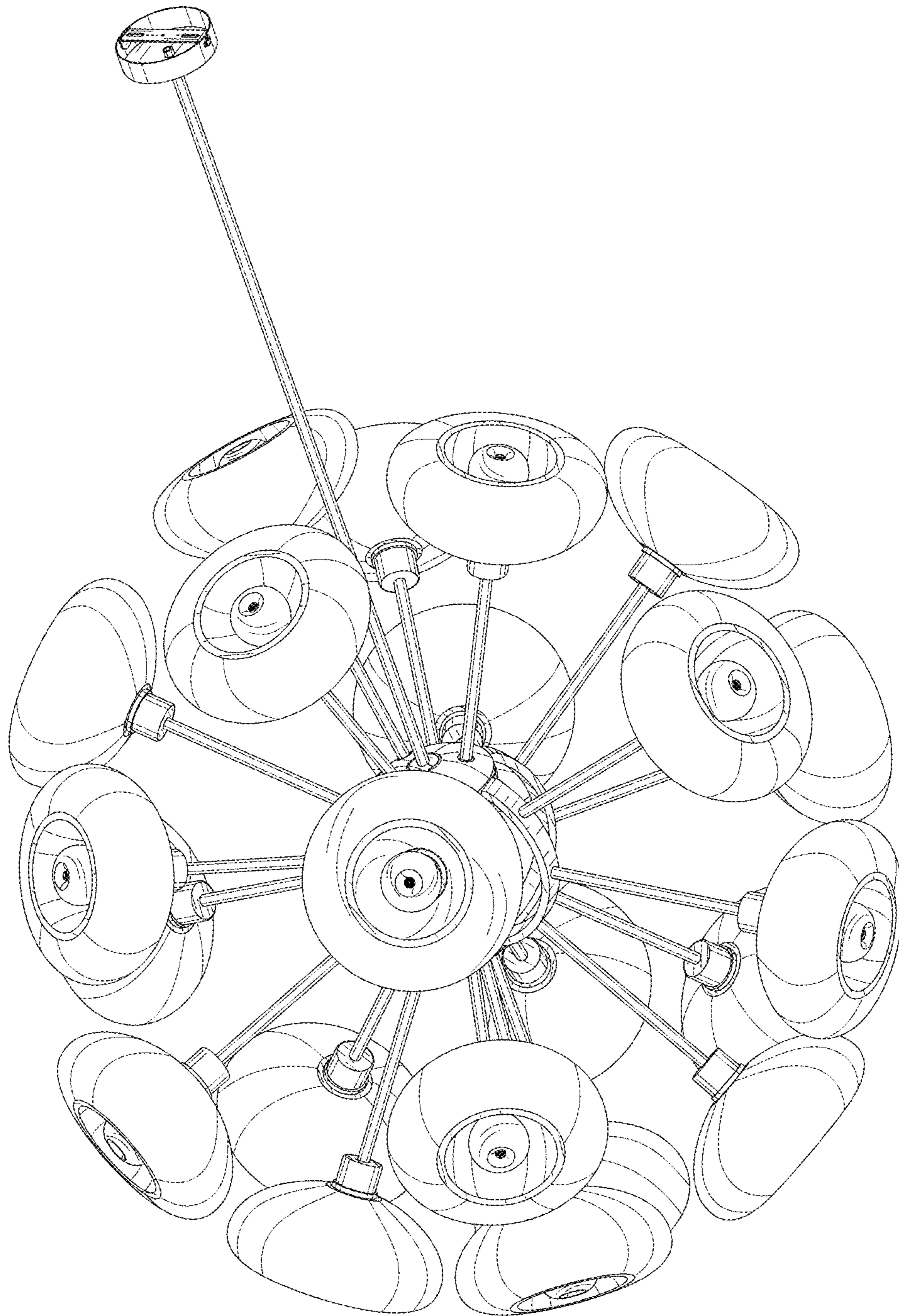
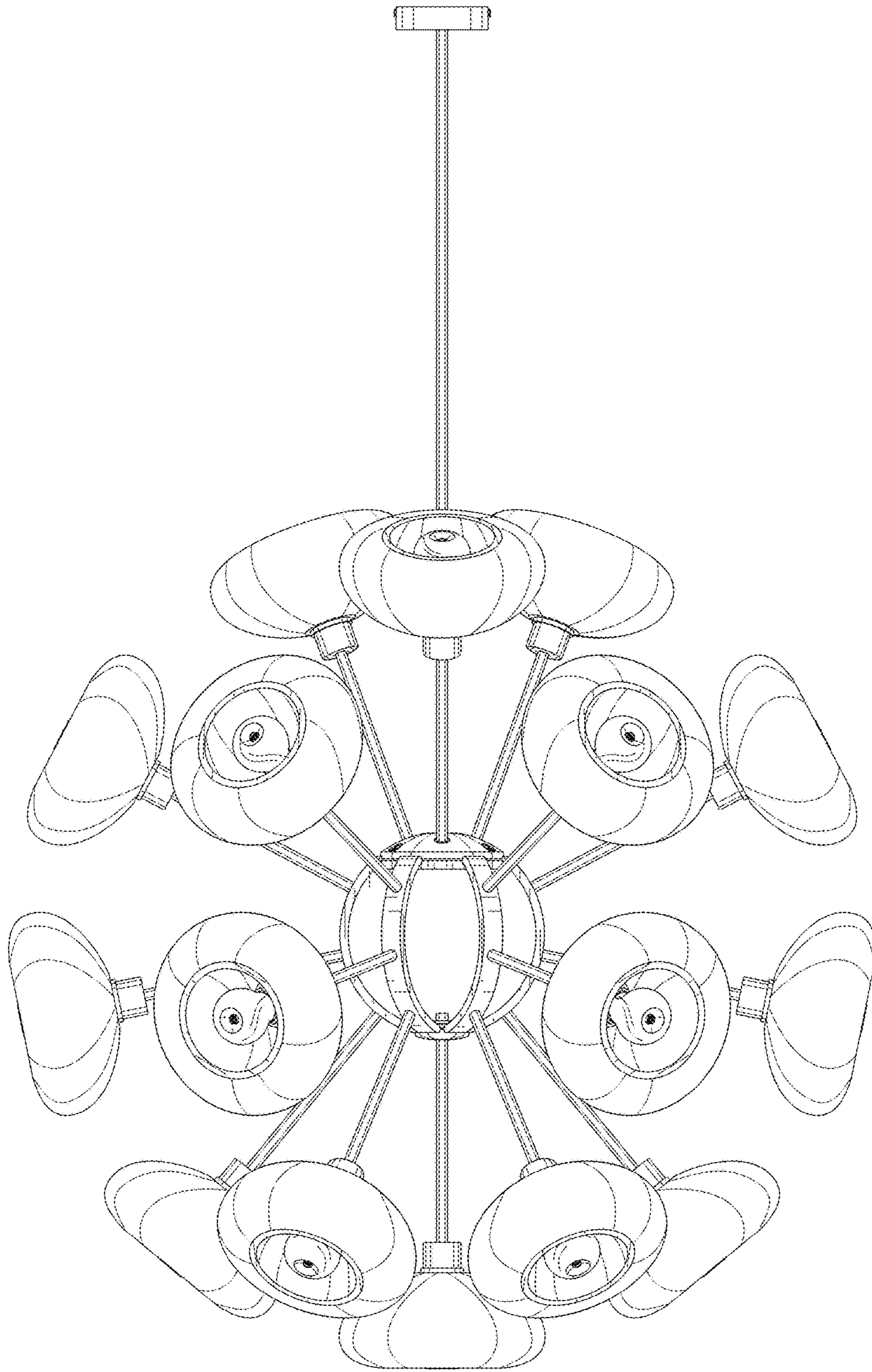
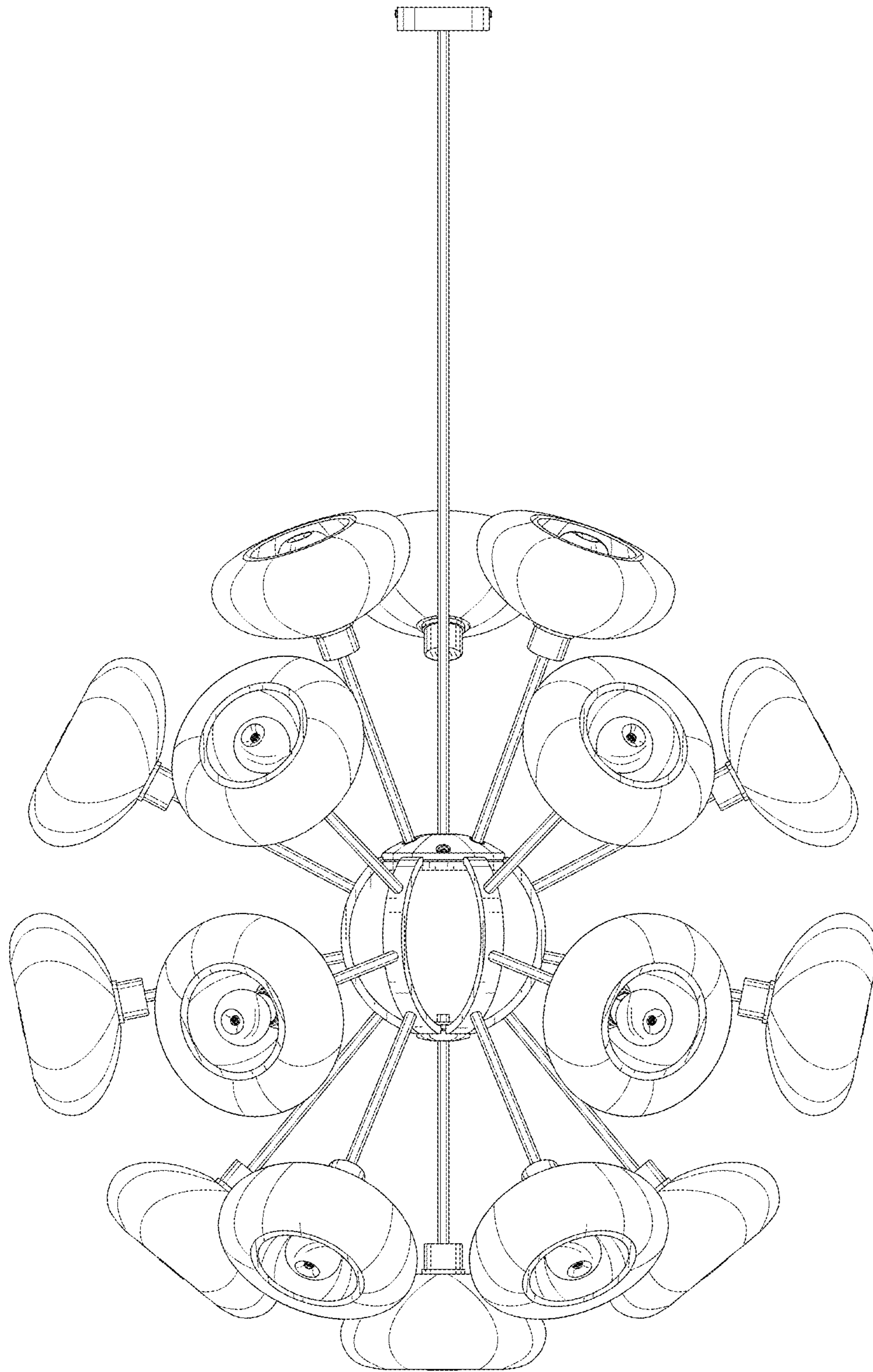


FIG. 1



F I G . 2



F I G. 3

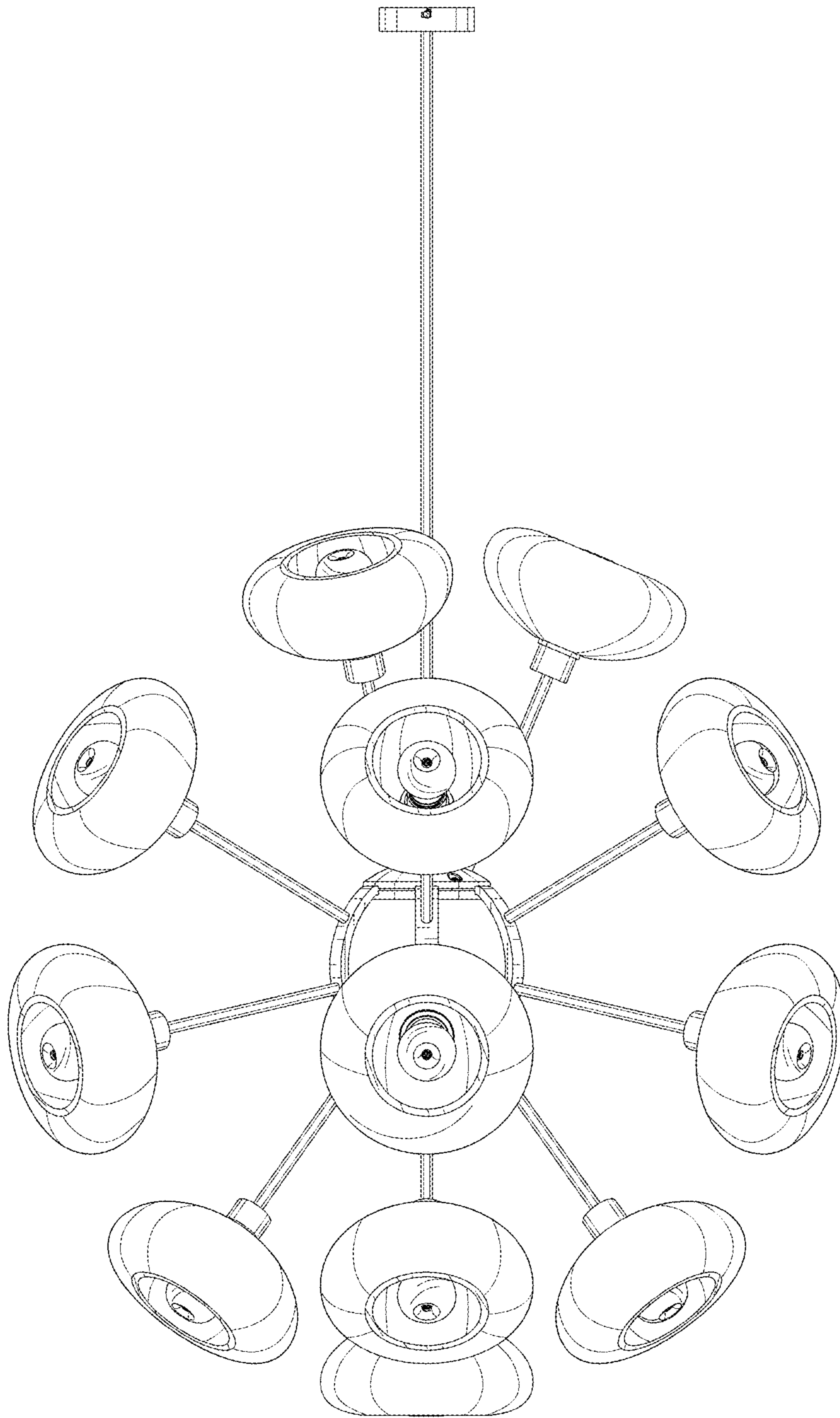


FIG. 4

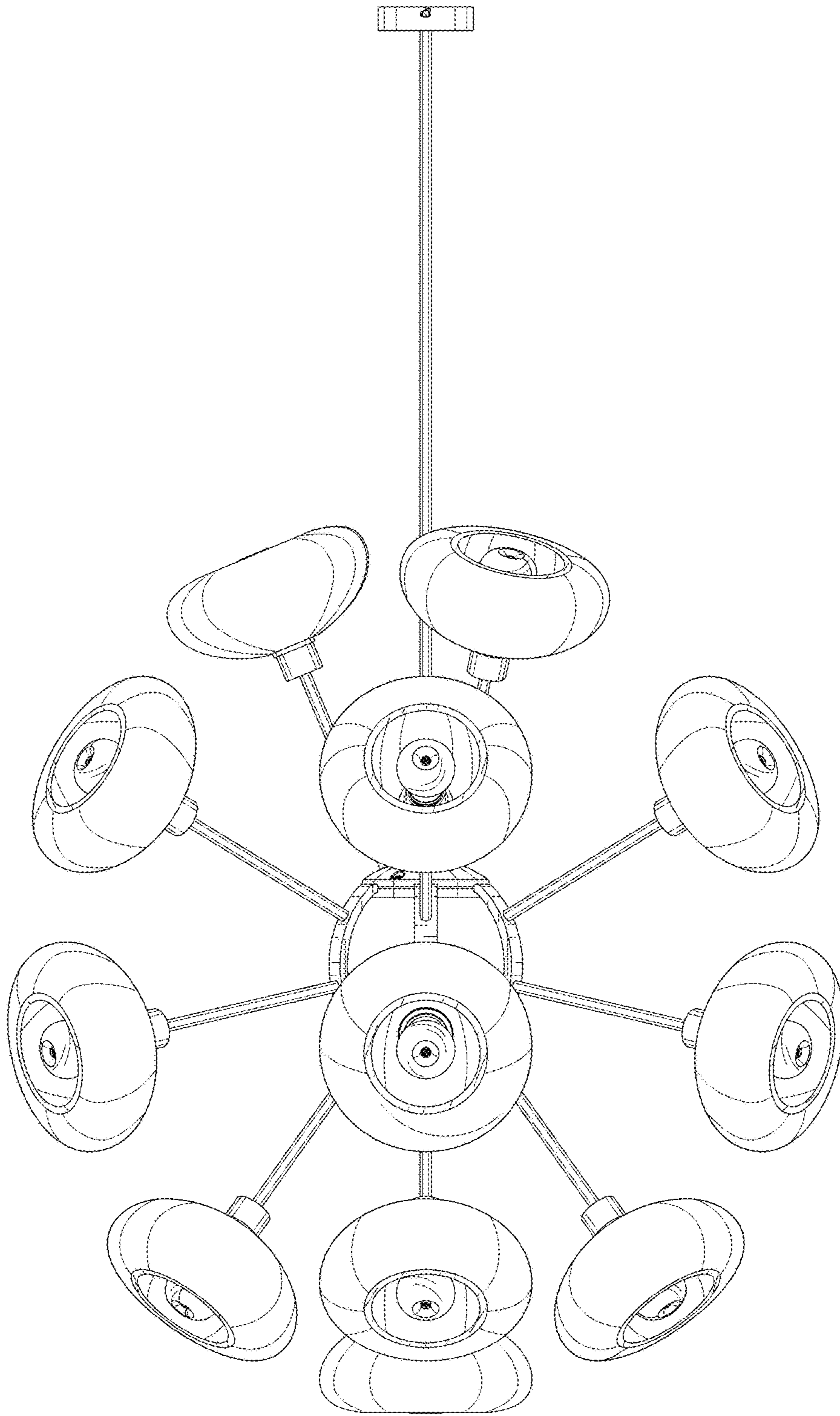


FIG. 5

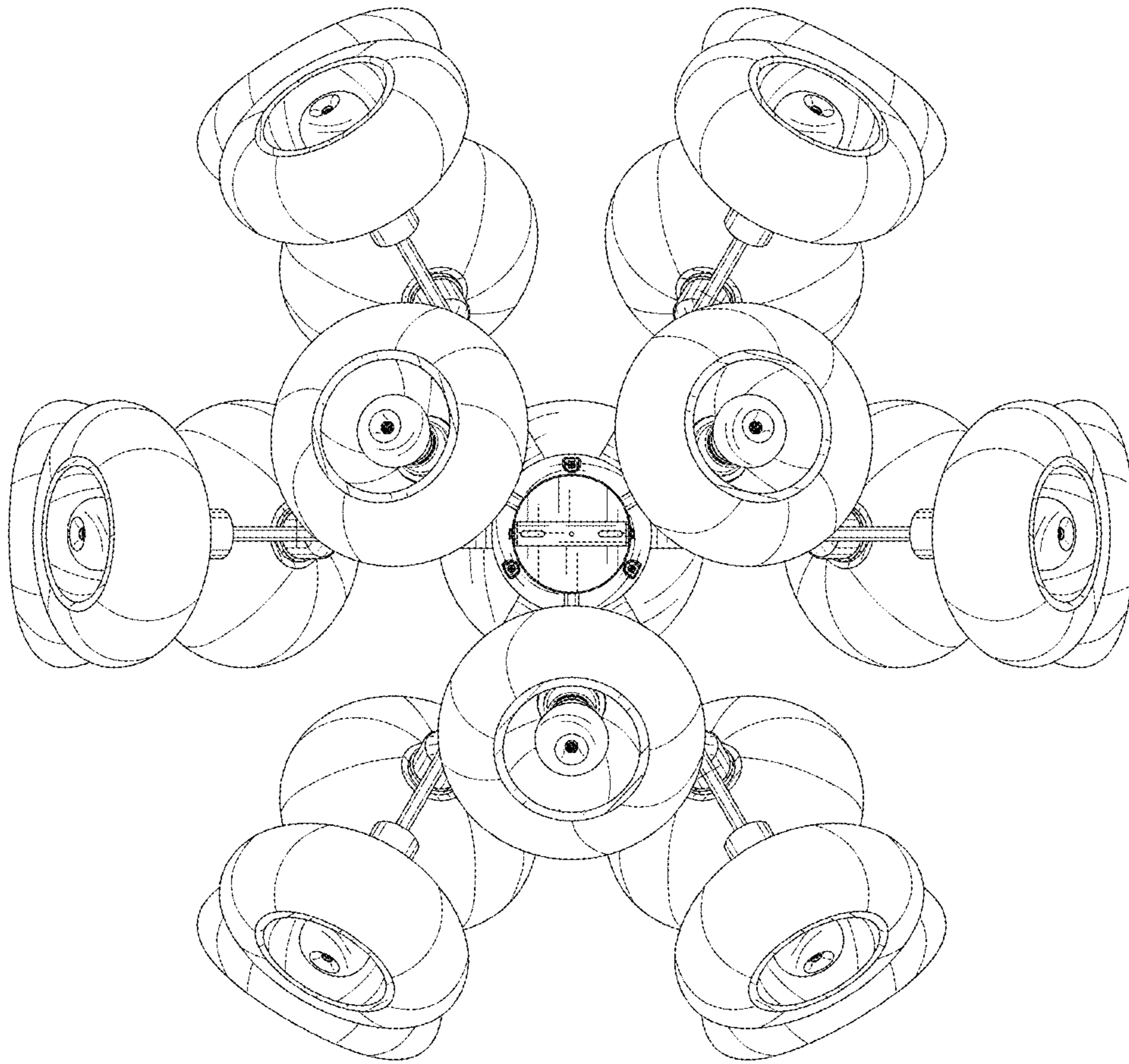


FIG. 6

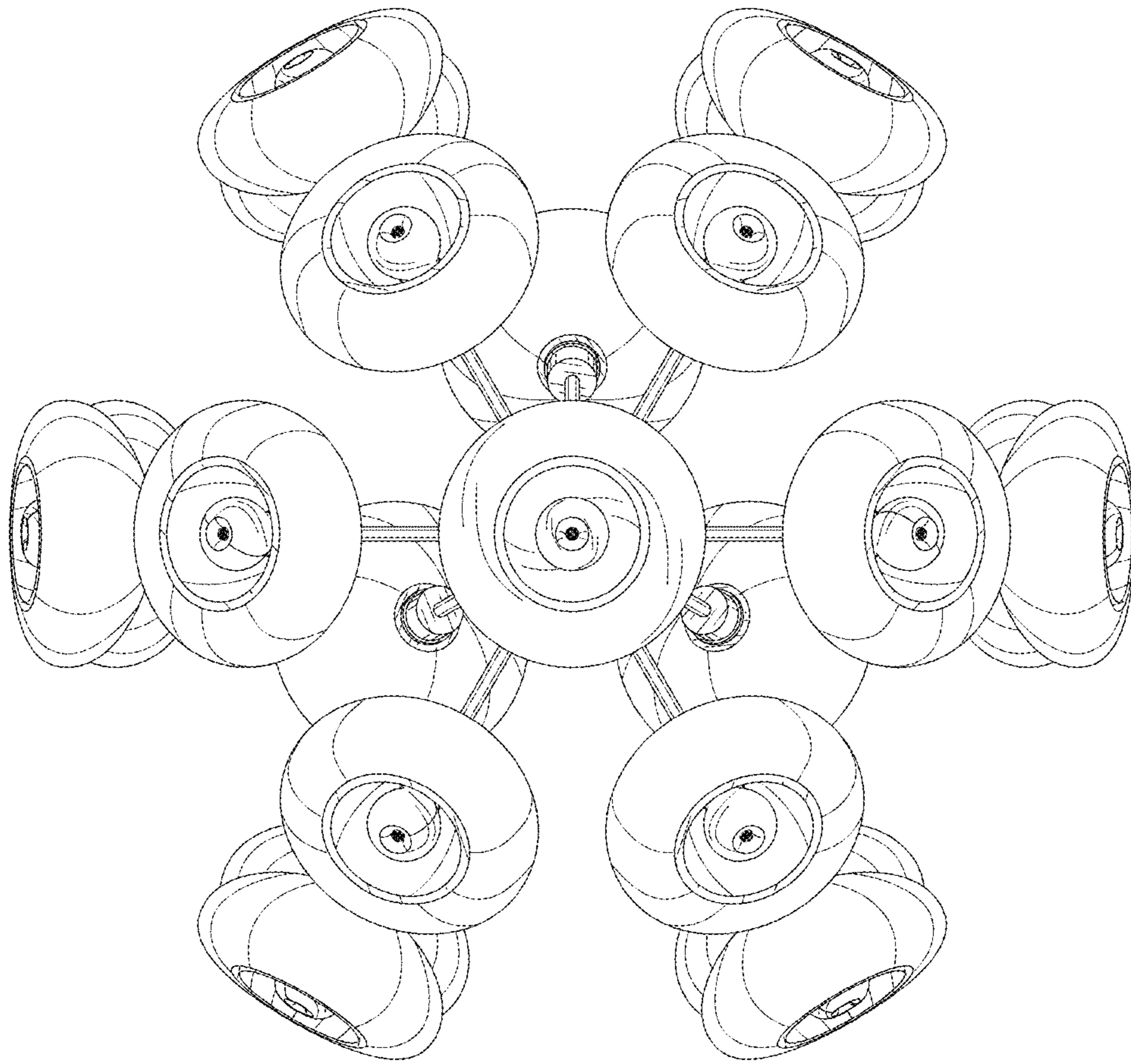


FIG. 7