



US00D820494S

(12) **United States Design Patent**  
**Cohen**

(10) **Patent No.:** **US D820,494 S**  
(45) **Date of Patent:** **\*\* Jun. 12, 2018**

(54) **INTEGRATED LIGHTING MODULE HOUSING**

(71) Applicant: **Brandon Cohen**, Vernon, CA (US)

(72) Inventor: **Brandon Cohen**, Vernon, CA (US)

(\*\*) Term: **15 Years**

(21) Appl. No.: **29/594,122**

(22) Filed: **Feb. 15, 2017**

(51) **LOC (11) Cl.** ..... **26-05**

(52) **U.S. Cl.**  
USPC ..... **D26/74**

(58) **Field of Classification Search**  
USPC ..... D26/74, 72, 75, 76, 77, 78, 85, 88, 89,  
D26/118, 138, 141; 362/364, 365, 373,  
362/145, 146, 147, 148, 150, 153, 153.1,  
362/294, 296.01, 296.07, 296.08  
See application file for complete search history.

(56) **References Cited**

**U.S. PATENT DOCUMENTS**

D606,696 S	*	12/2009	Chen	.....	D26/74
D640,819 S	*	6/2011	Pan	.....	D26/74
D656,263 S	*	3/2012	Ogawa	.....	D26/74
D668,372 S	*	10/2012	Renshaw	.....	D26/74

D682,459 S	*	5/2013	Gordin	.....	D26/74
D694,456 S	*	11/2013	Rowlette, Jr.	.....	D26/74
D708,381 S	*	7/2014	Rashidi	.....	D26/74
D714,989 S	*	10/2014	Rowlette, Jr.	.....	D26/74
D726,949 S	*	4/2015	Redfern	.....	D26/74
D734,525 S	*	7/2015	Gordin	.....	D26/74
D777,967 S	*	1/2017	Redfern	.....	D26/74
D779,100 S	*	2/2017	Redfern	.....	D26/74
D790,102 S	*	6/2017	Guzzini	.....	D26/74

\* cited by examiner

*Primary Examiner* — Angela J Lee

(74) *Attorney, Agent, or Firm* — Eric Kelly

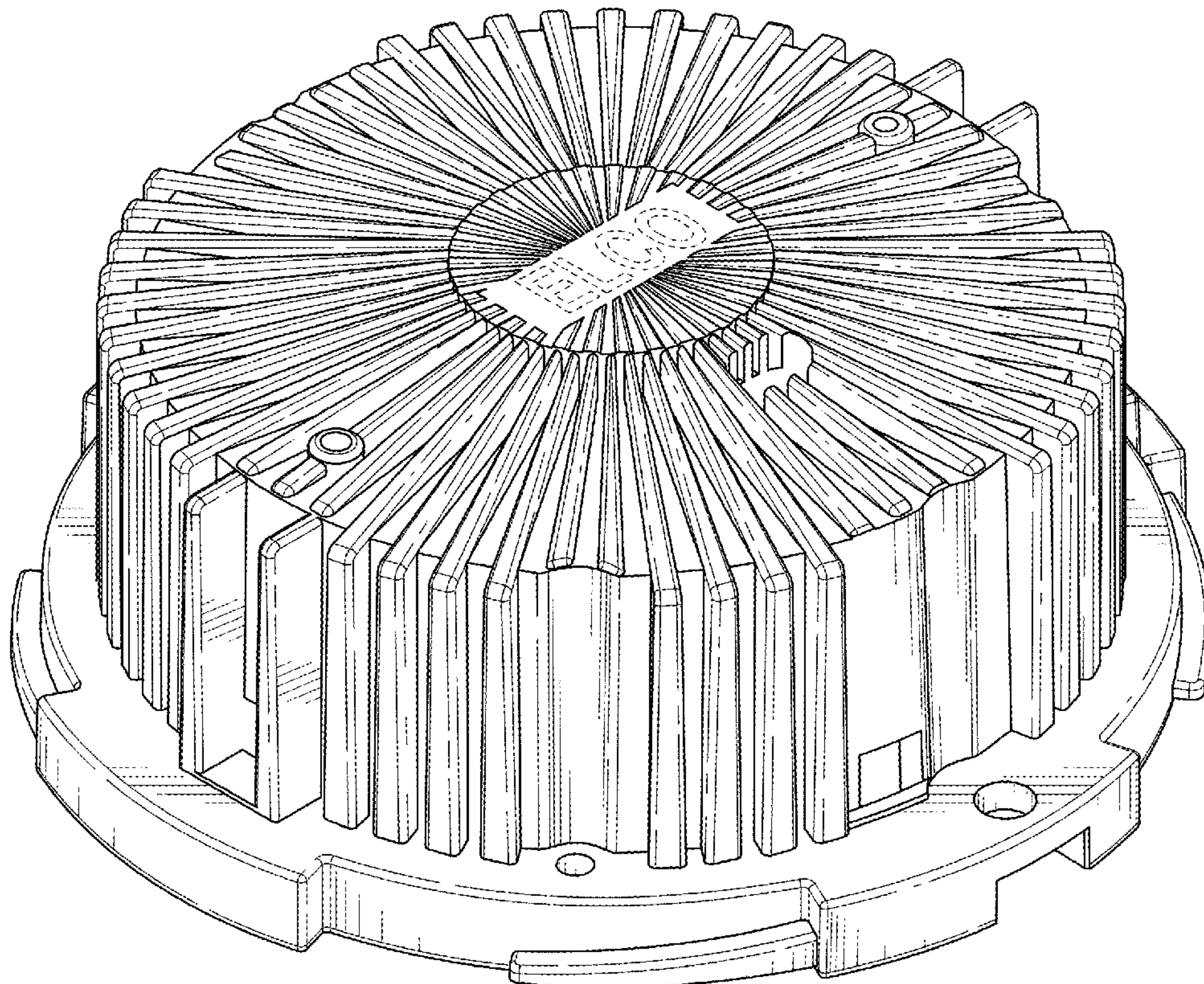
(57) **CLAIM**

The ornamental design for an integrated lighting module housing, as shown and described.

**DESCRIPTION**

FIG. 1 illustrates a top front perspective view of a new and ornamental integrated lighting module housing; FIG. 2 illustrates a front view thereof; FIG. 3 illustrates a back view thereof; FIG. 4 illustrates a left-side view thereof; FIG. 5 illustrates a right-side view thereof; FIG. 6 illustrates a top view thereof; and, FIG. 7 illustrates a bottom view thereof. Broken lines in any of included figures are for illustrative purposes only and form no part of the claimed design.

**1 Claim, 5 Drawing Sheets**





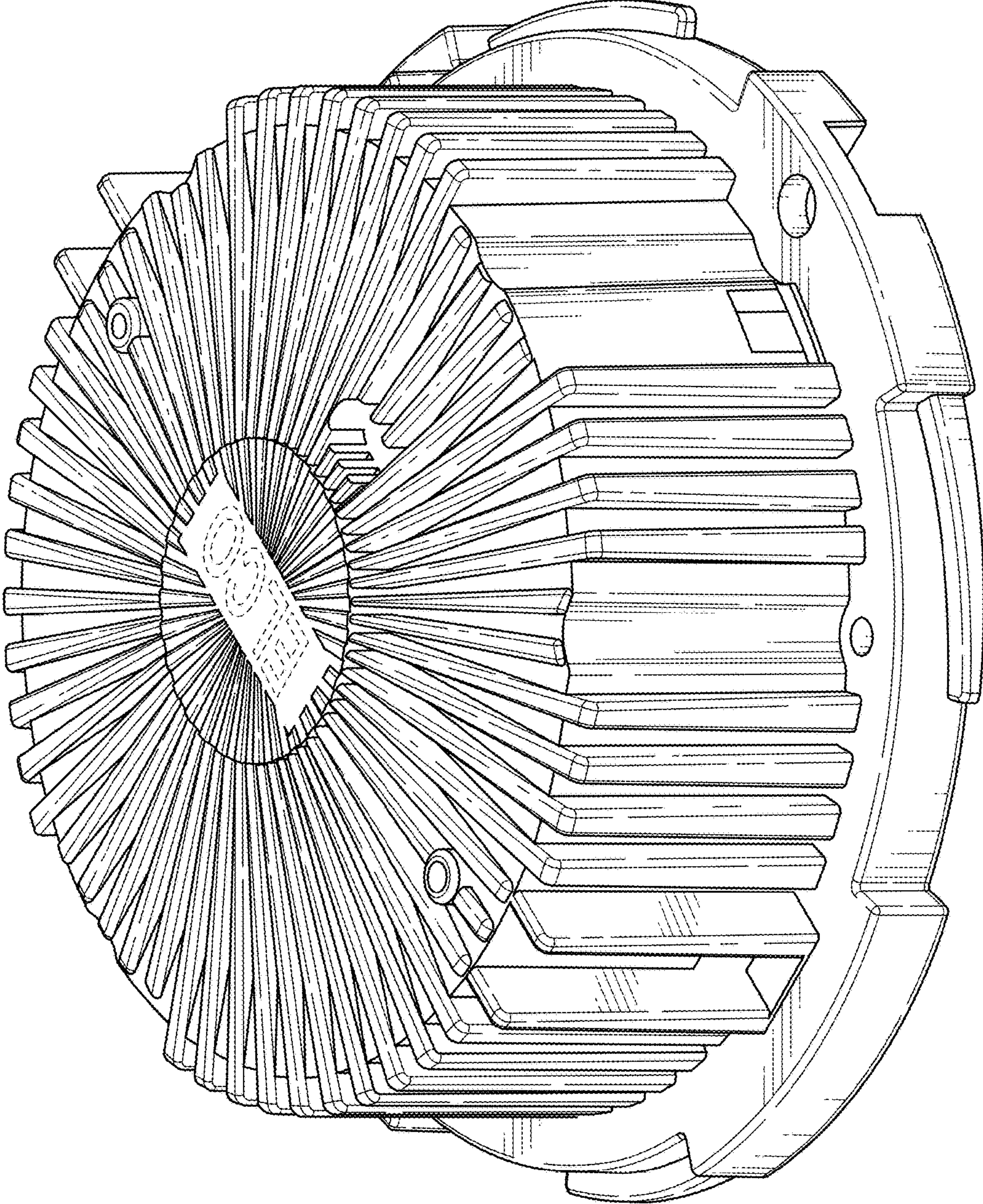


FIG. 1



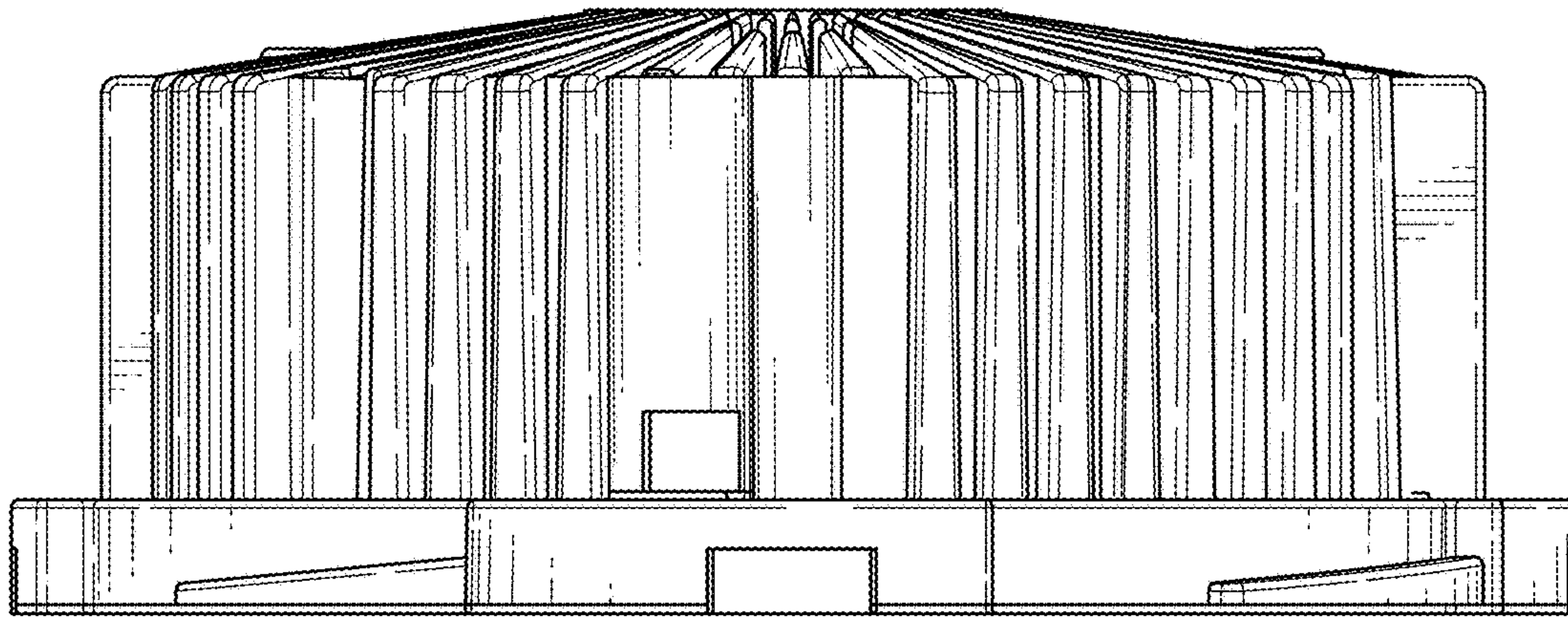


FIG. 2

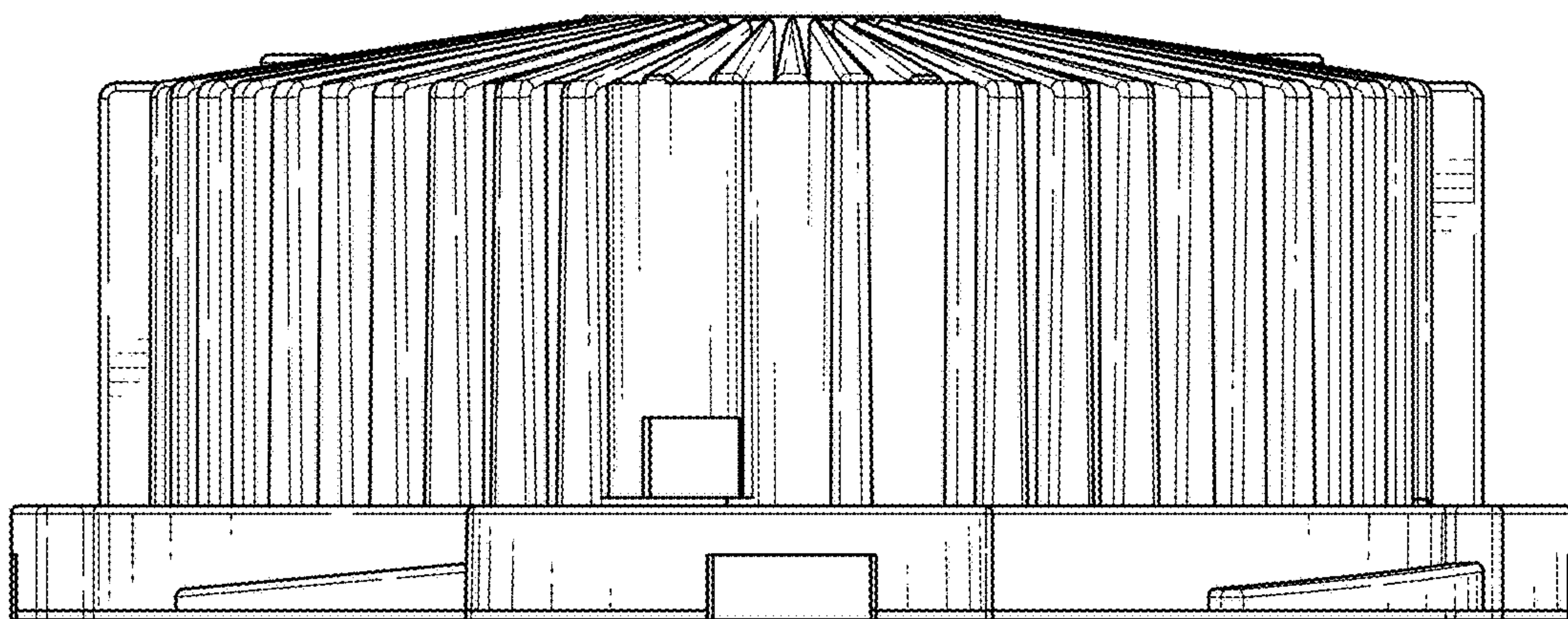


FIG. 3

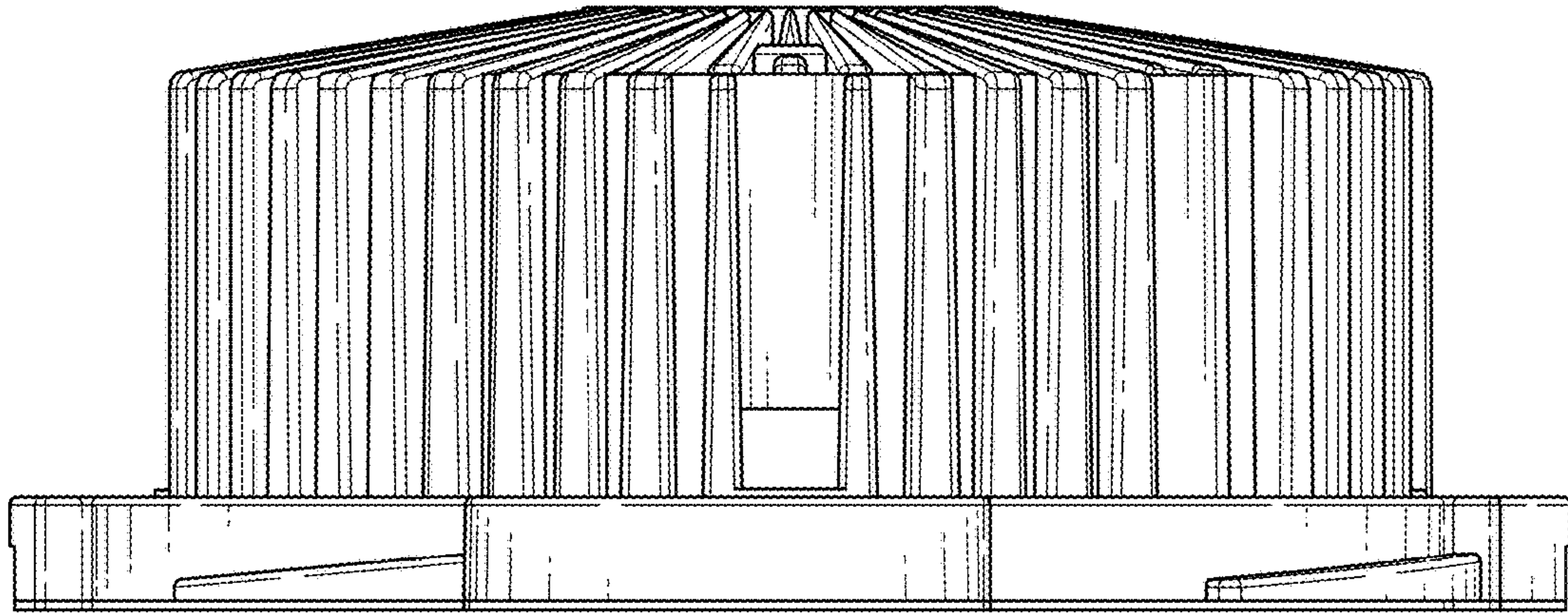


FIG. 4

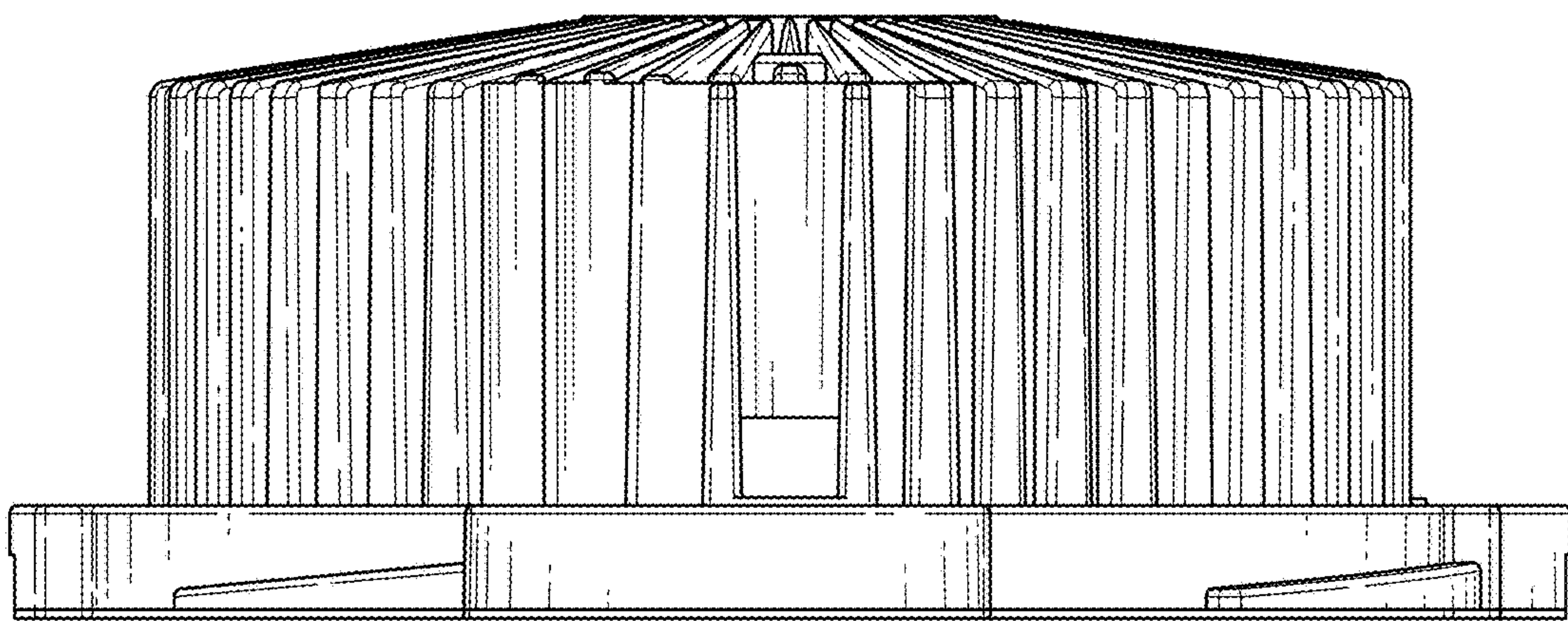


FIG. 5



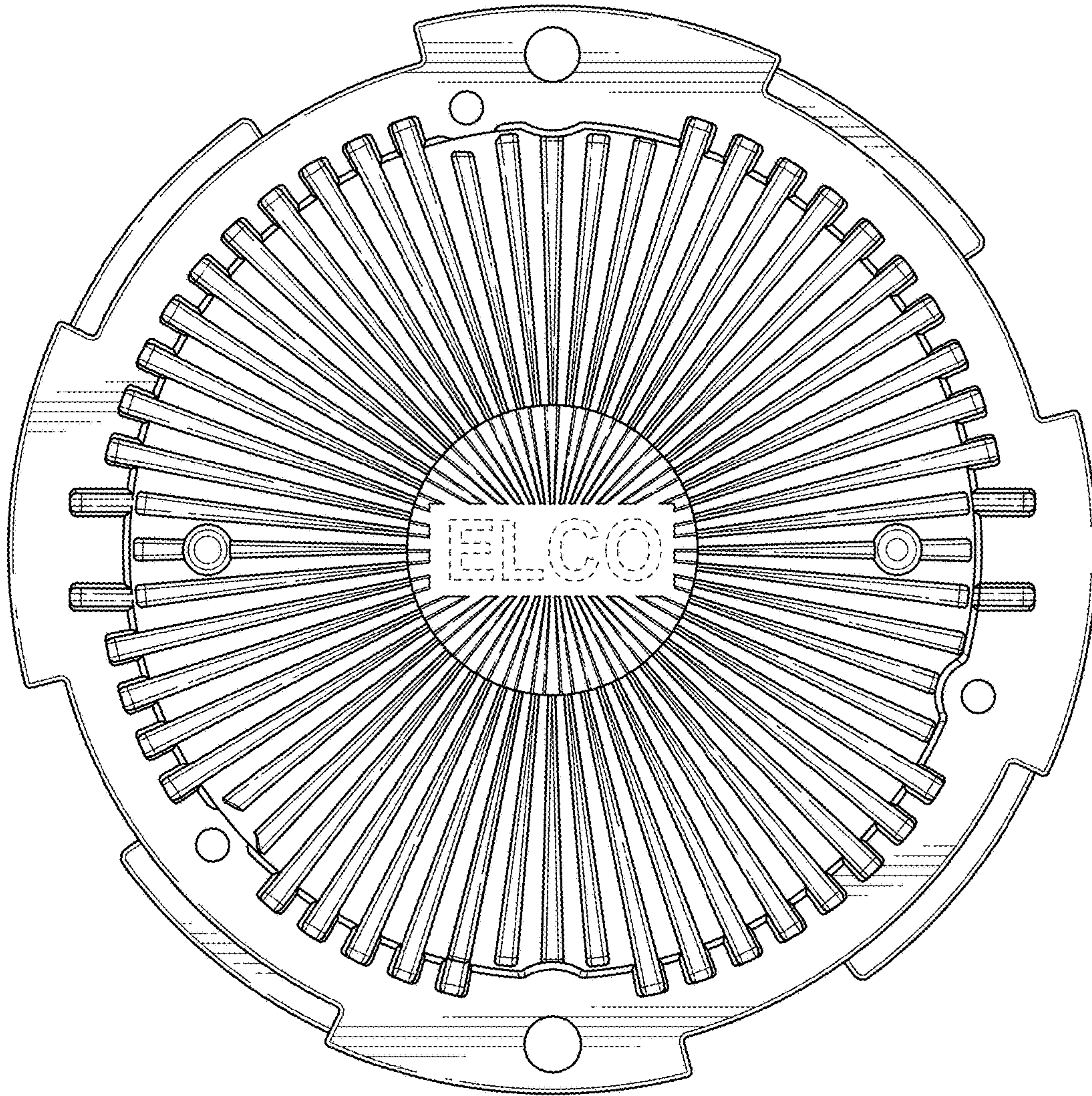


FIG. 6

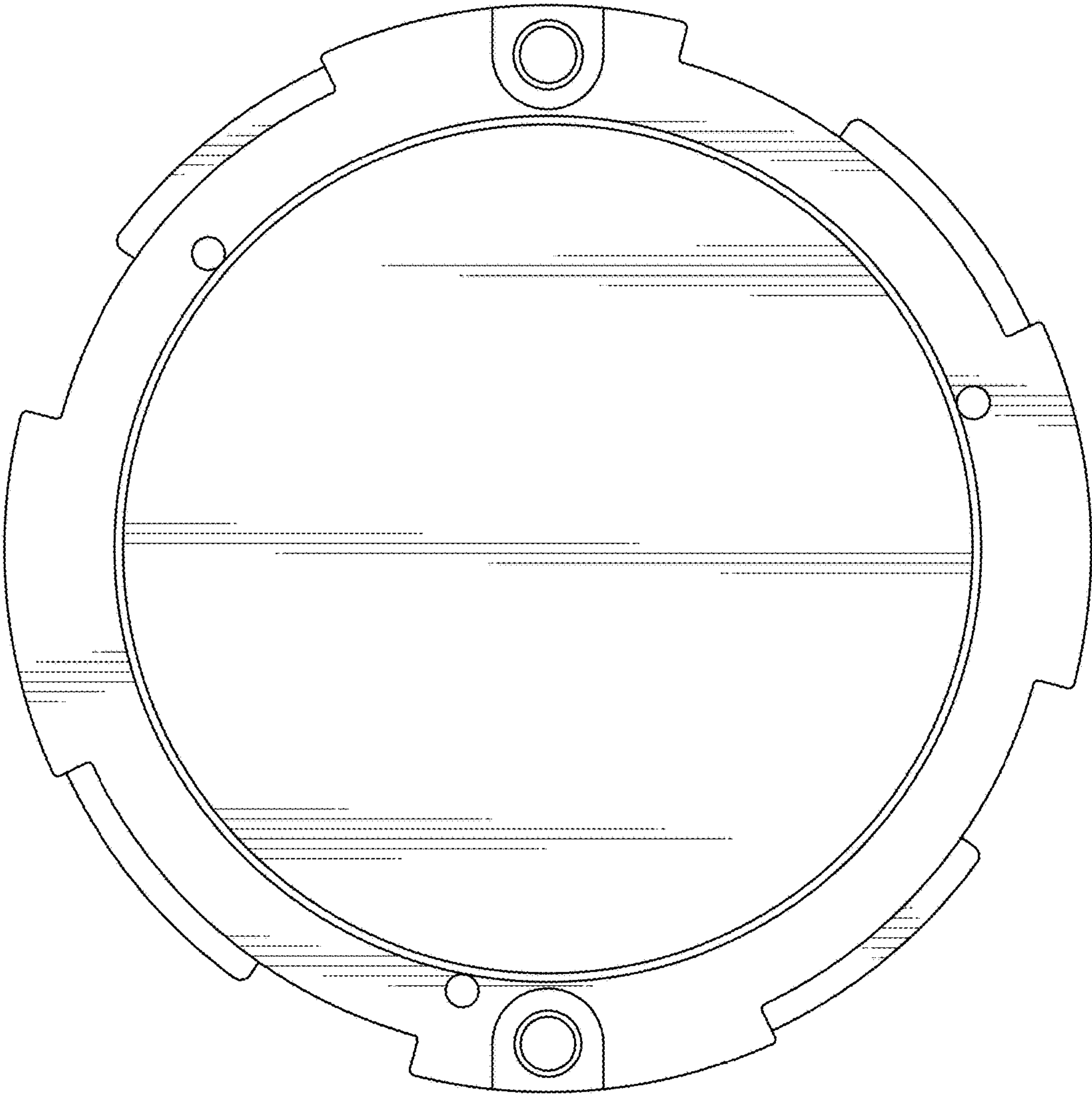


FIG. 7