



US00D820493S

(12) **United States Design Patent**
Ferrer

(10) **Patent No.:** **US D820,493 S**

(45) **Date of Patent:** **** Jun. 12, 2018**

(54) **LUMINAIRE**

(71) Applicant: **SIMON, S.A.U.**, Barcelona (ES)

(72) Inventor: **Antoni Arola Ferrer**, Barcelona (ES)

(73) Assignee: **SIMON, S.A.U.**, Barcelona (ES)

(**) Term: **15 Years**

(21) Appl. No.: **35/501,644**

(22) Filed: **Jul. 11, 2016**

(80) **Hague Agreement Data**

Int. Filing Date: **Jul. 11, 2016**

Int. Reg. No.: **DM/092554**

Int. Reg. Date: **Jul. 11, 2016**

Int. Reg. Pub. Date: **Sep. 30, 2016**

(51) **LOC (11) Cl.** **26-05**

(52) **U.S. Cl.**
USPC **D26/71**

(58) **Field of Classification Search**

USPC D26/63, 71, 92

CPC .. F21S 8/033; F21S 8/036; F21S 8/085; F21S
8/086; F21V 21/30; F21W 2111/02

See application file for complete search history.

(56) **References Cited**

U.S. PATENT DOCUMENTS

5,283,968 A * 2/1994 Williams G02B 6/0043
40/546

5,625,968 A * 5/1997 Ashall G02B 6/0043
362/604

D698,973 S *	2/2014	Santoro	D26/74
D709,641 S	7/2014	Maxik et al.	
D709,642 S	7/2014	Maxik et al.	
D735,391 S *	7/2015	Blessitt	D26/74
9,110,209 B2 *	8/2015	Blessitt	G02B 6/0055
D762,907 S	8/2016	Jeswani et al.	
D769,501 S	10/2016	Jeswani et al.	
D771,296 S	11/2016	Duckworth et al.	
D776,325 S	1/2017	Jeswani et al.	
D779,100 S	2/2017	Redfern	
D779,101 S	2/2017	Redfern	
D779,701 S *	2/2017	Lazalier	D26/74
D785,228 S	4/2017	Guzzini	
D786,472 S	5/2017	Redfern	
D790,102 S	6/2017	Guzzini	
2016/0356436 A1 *	12/2016	Blessitt	F21S 8/00

* cited by examiner

Primary Examiner — Michael A. Pratt

(74) *Attorney, Agent, or Firm* — Avery N. Goldstein;
Blue Filament Law, PLLC

(57) **CLAIM**

Ornamental design of a luminaire, as shown and described.

DESCRIPTION

1. Luminaires

1.1 is a Front elevation view.

1.2 is a Top plan view.

1.3 is a Perspective view

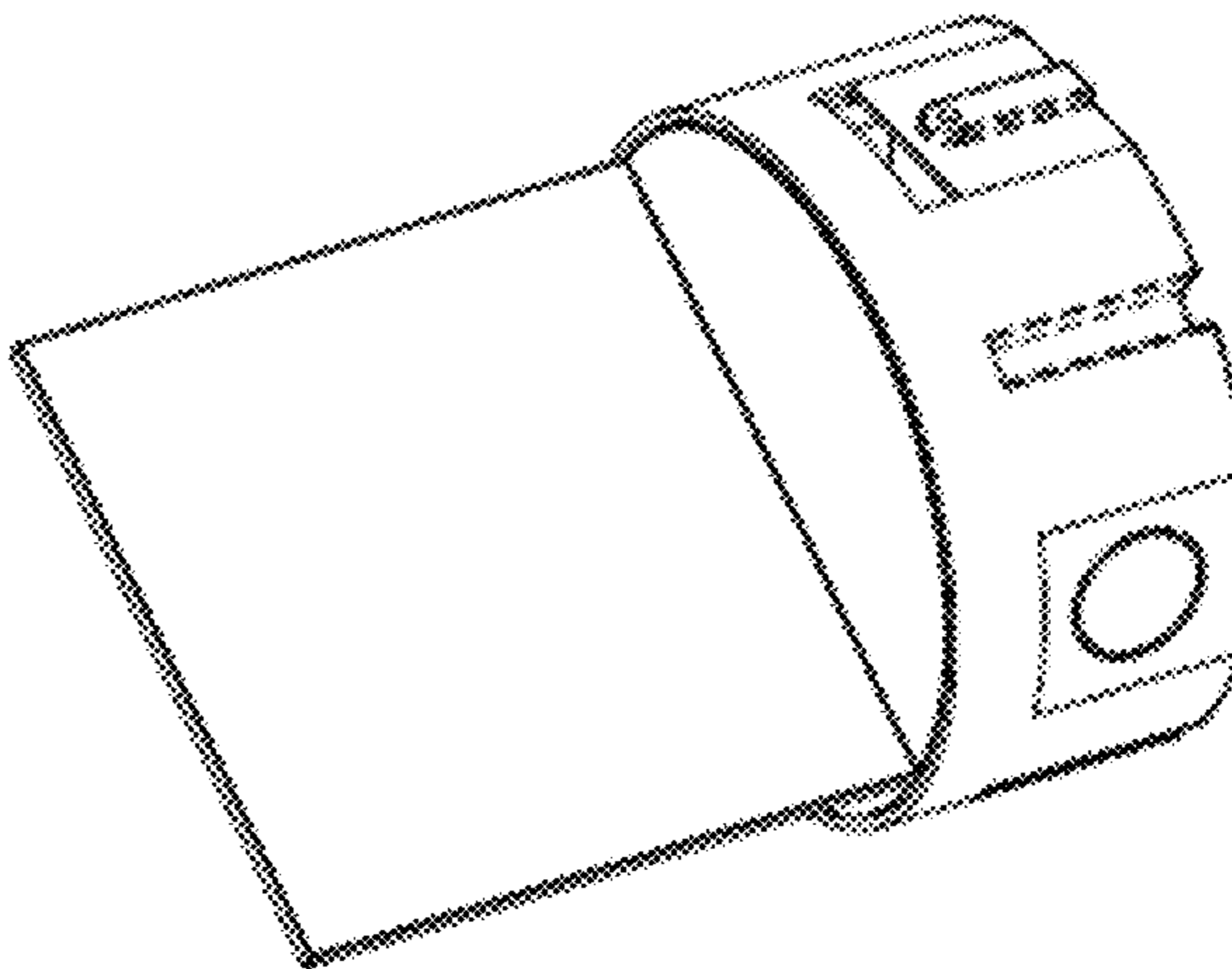
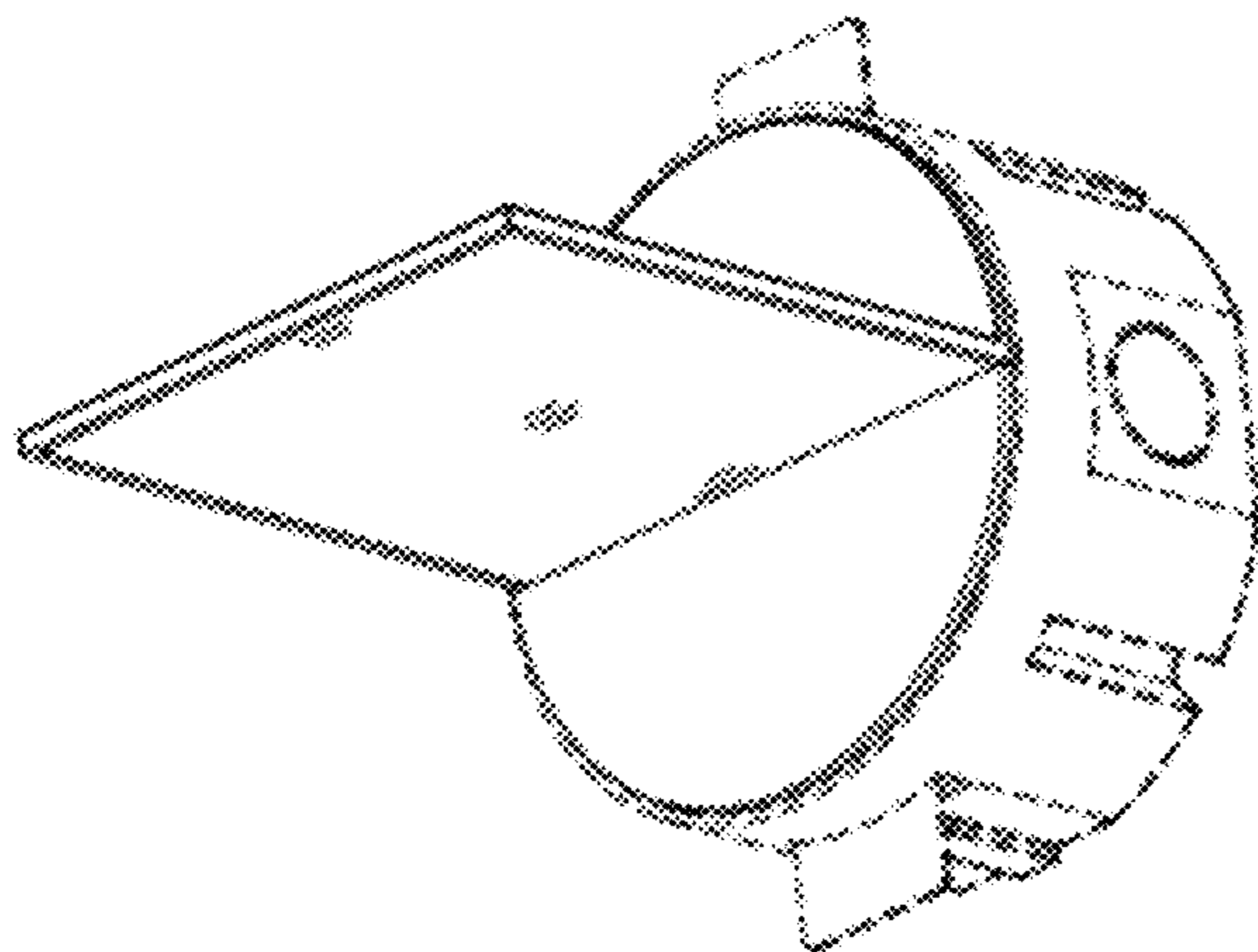
1.4 is a Bottom view

1.5 is a Side elevation view

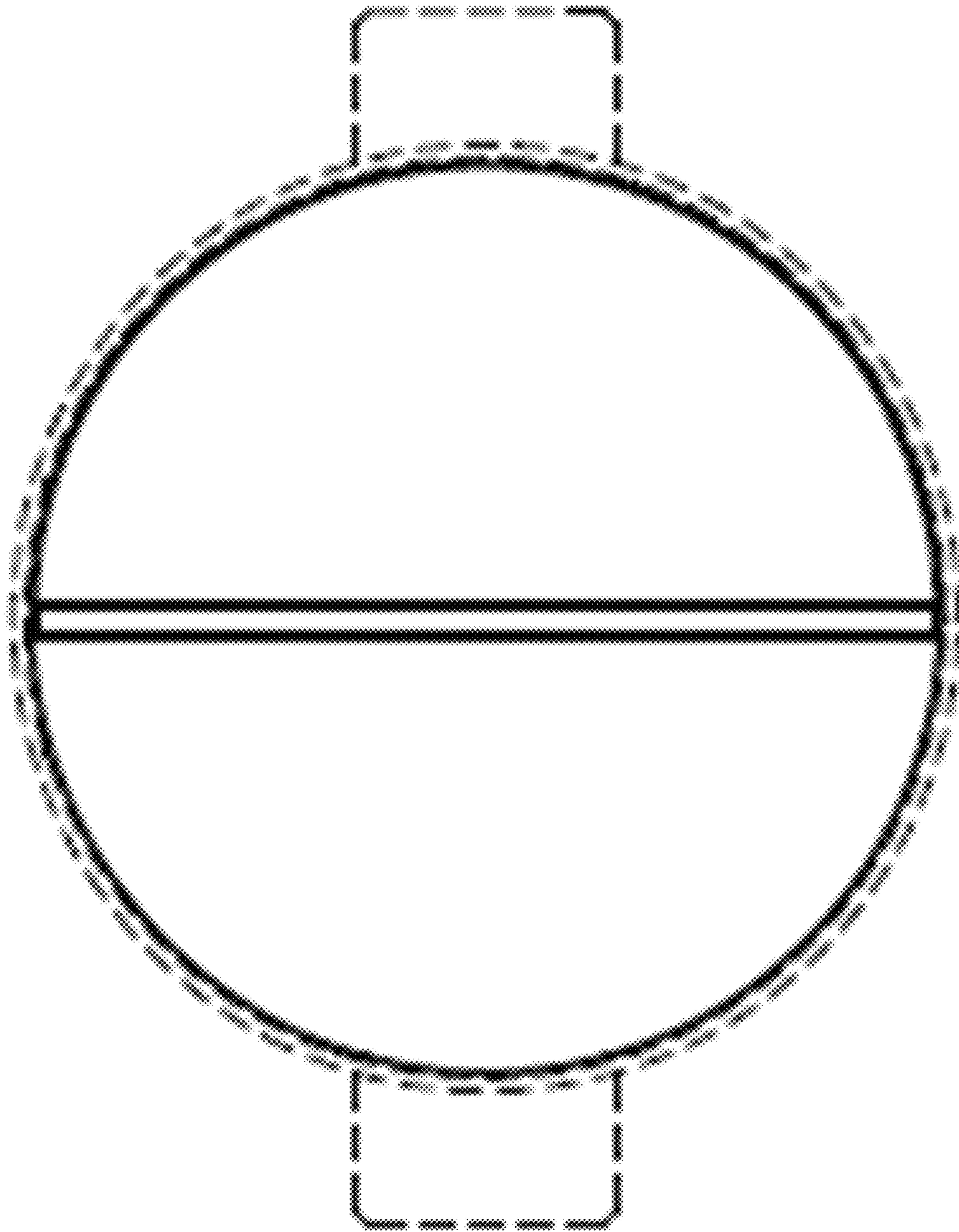
1.6 Bottom Perspective view.

1.7 Top Perspective view.

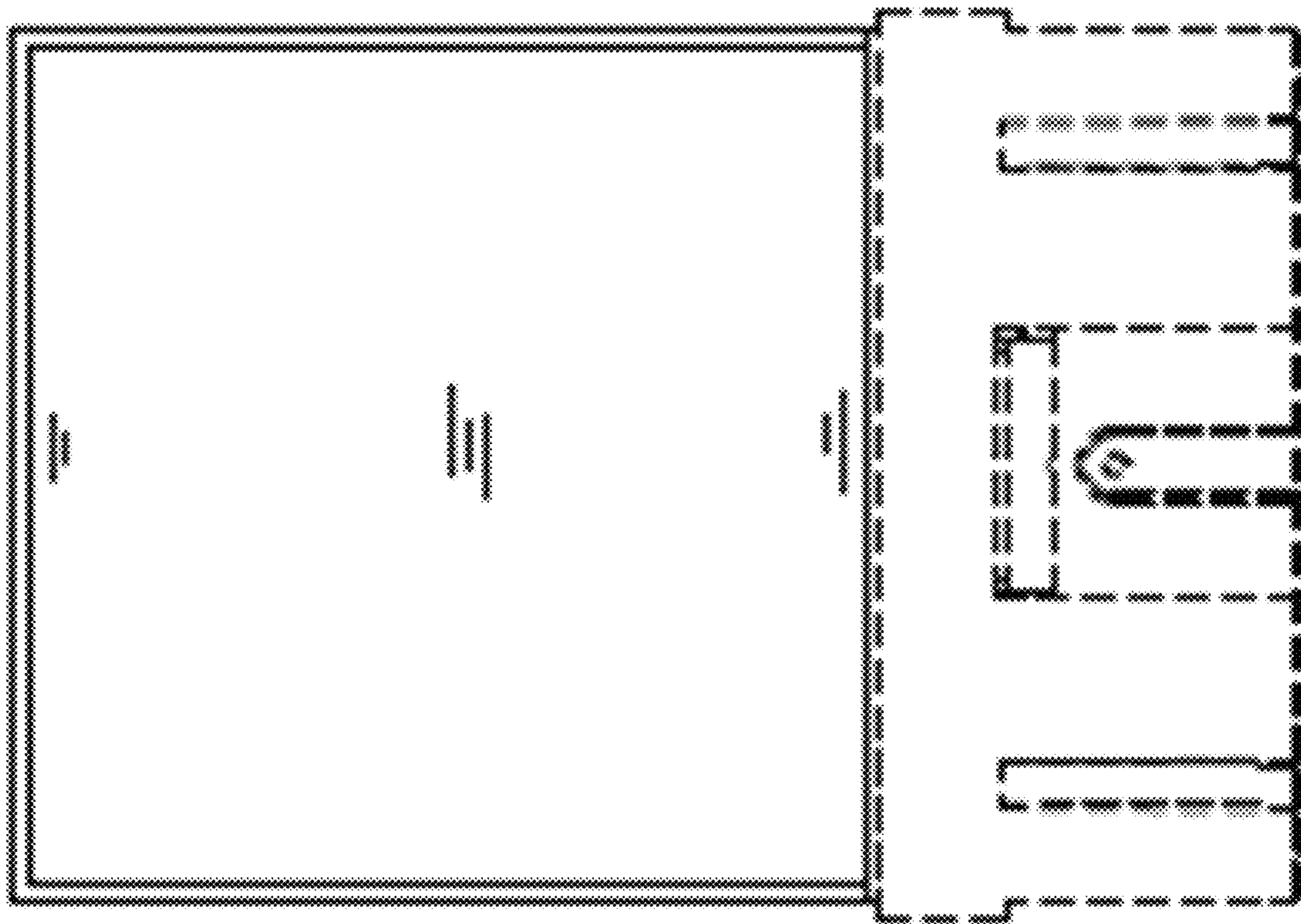
1 Claim, 7 Drawing Sheets



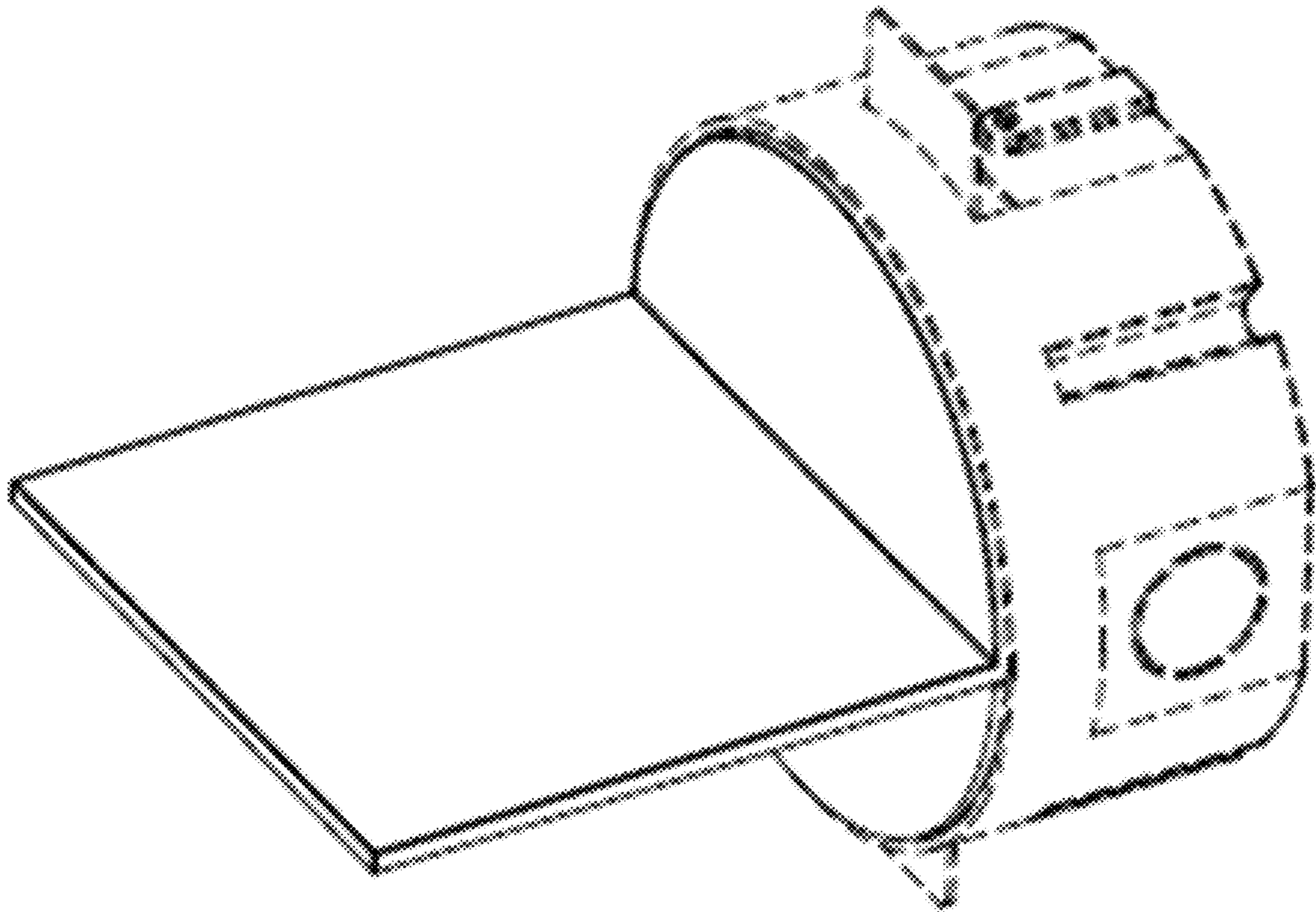
1.1



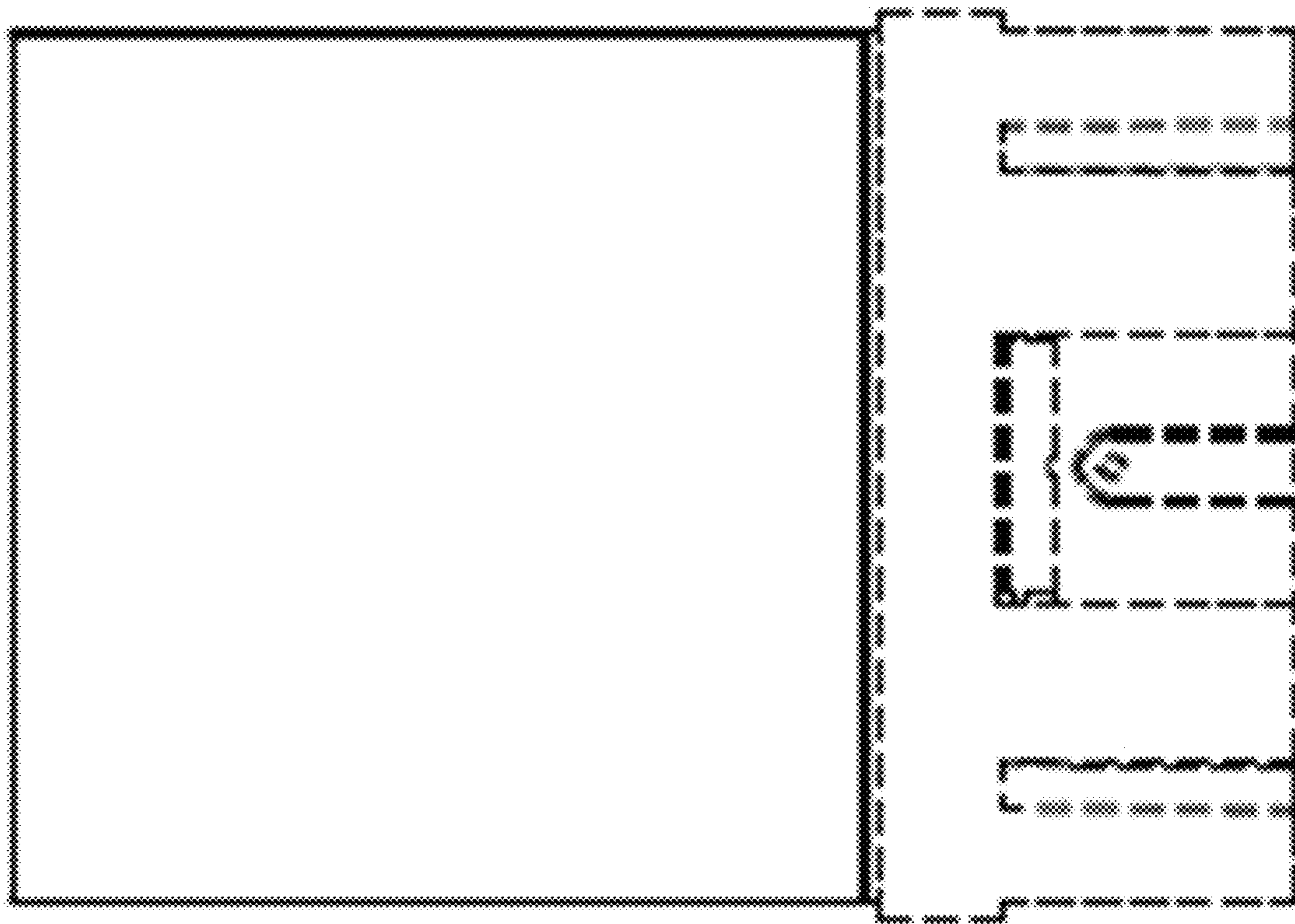
1.2



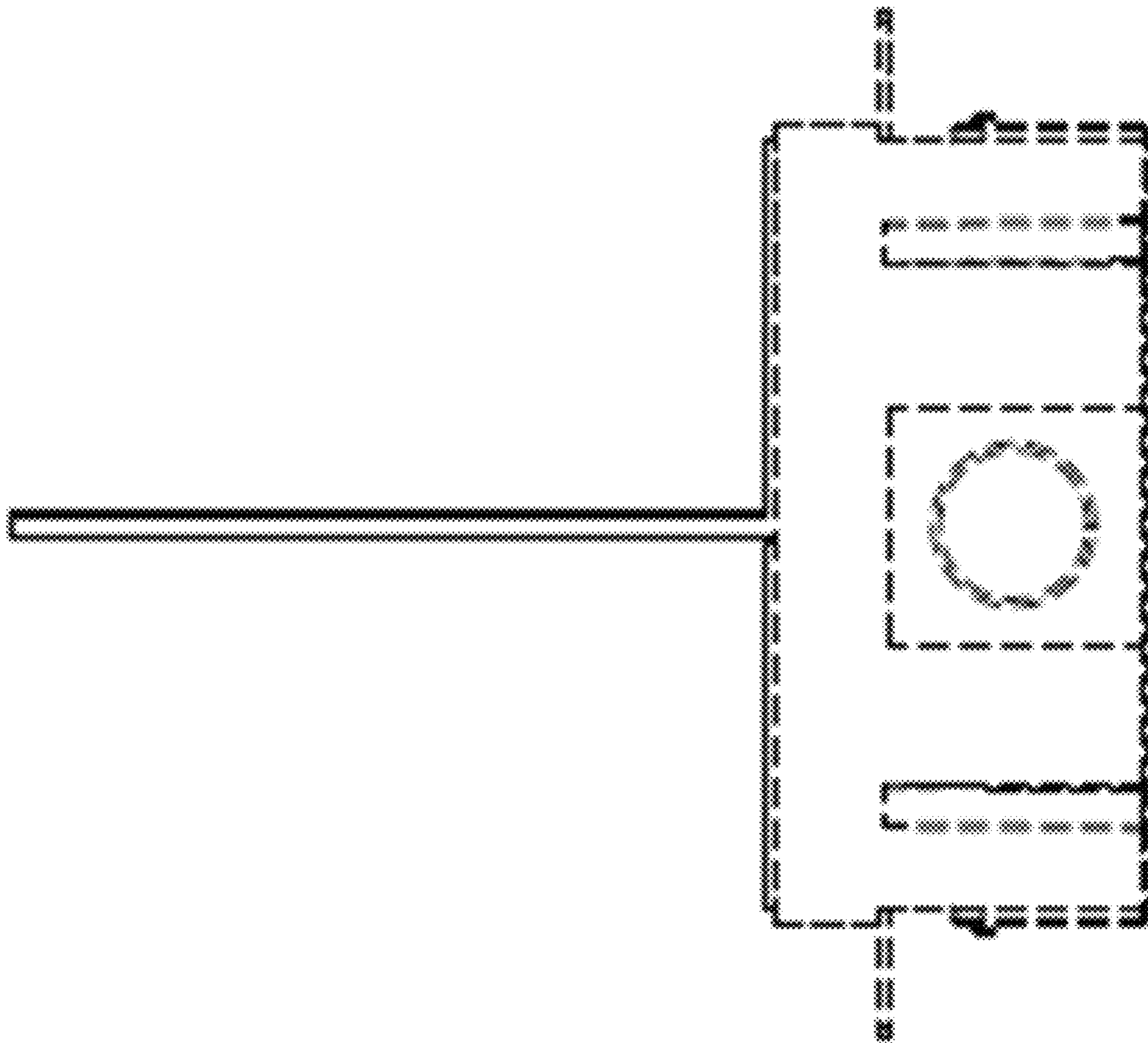
1.3



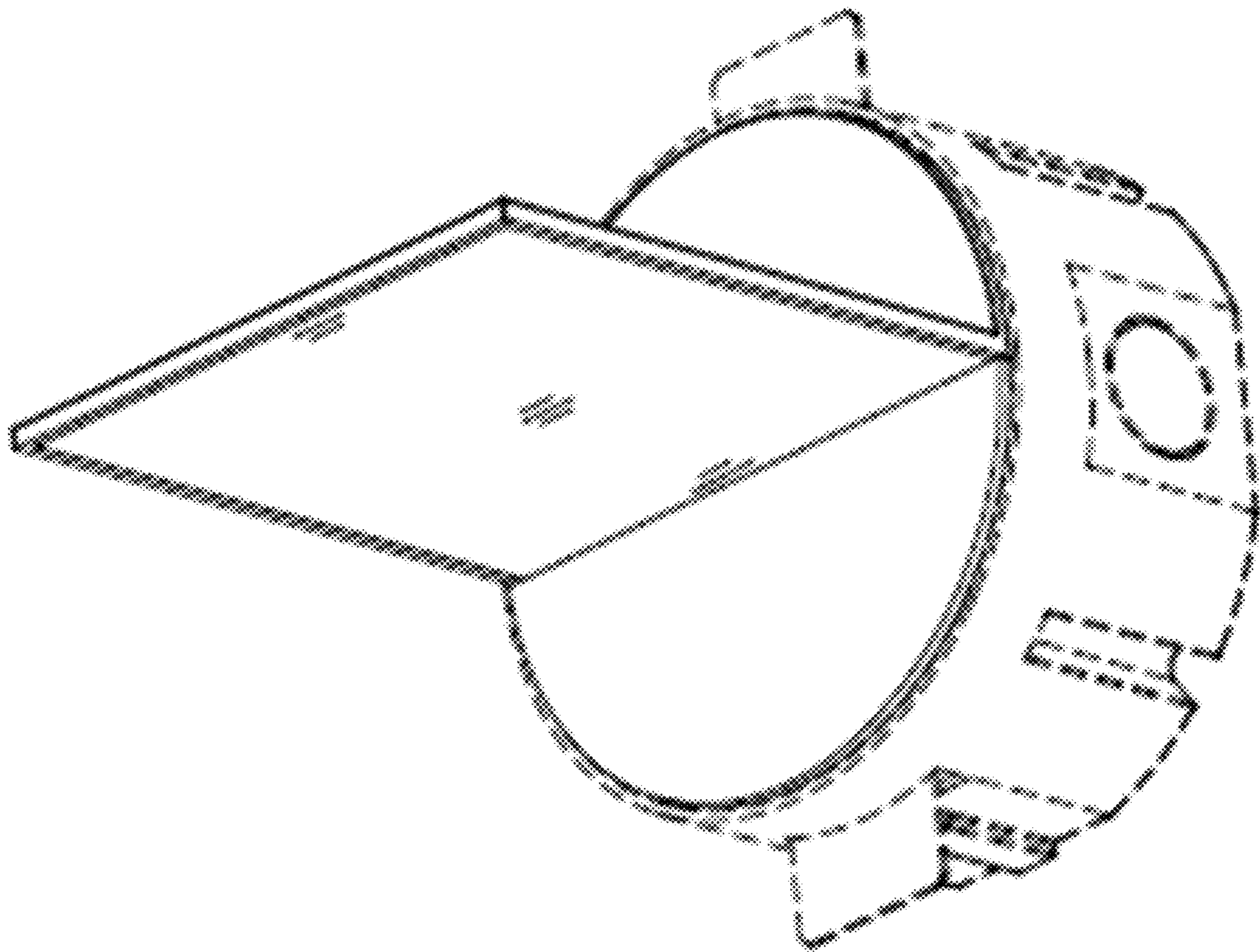
1.4



1.5



1.6



1.7

