



US00D820492S

(12) **United States Design Patent**  
**Martínez**

(10) **Patent No.:** **US D820,492 S**  
(45) **Date of Patent:** **\*\* Jun. 12, 2018**

(54) **LUMINAIRE**  
(71) Applicant: **SIMON, S.A.U.**, Barcelona (ES)  
(72) Inventor: **Jose Llusà Martínez**, Barcelona (ES)  
(73) Assignee: **SIMON, S.A.U.**, Barcelona (ES)  
(\*\*) Term: **15 Years**  
(21) Appl. No.: **35/501,643**

D735,391 S 7/2015 Blessitt et al.  
9,110,209 B2 8/2015 Blessitt et al.  
D762,907 S \* 8/2016 Jeswani ..... D26/74  
D769,501 S \* 10/2016 Jeswani ..... D26/74  
D771,296 S \* 11/2016 Duckworth ..... D26/63  
D776,325 S \* 1/2017 Jeswani ..... D26/74  
D779,100 S \* 2/2017 Redfern ..... D26/74  
D779,101 S \* 2/2017 Redfern ..... D26/74  
D779,701 S 2/2017 Lazalier et al.  
D785,228 S \* 4/2017 Guzzini ..... D26/74  
D786,472 S \* 5/2017 Redfern ..... D26/74  
D790,102 S \* 6/2017 Guzzini ..... D26/74  
2016/0356436 A1 12/2016 Blessitt

(22) Filed: **Jul. 11, 2016**

\* cited by examiner

(80) **Hague Agreement Data**

*Primary Examiner* — Michael A. Pratt  
(74) *Attorney, Agent, or Firm* — Avery N. Goldstein;  
Blue Filament Law, PLLC

Int. Filing Date: **Jul. 11, 2016**  
Int. Reg. No.: **DM/092553**  
Int. Reg. Date: **Jul. 11, 2016**  
Int. Reg. Pub. Date: **Sep. 30, 2016**

(51) **LOC (11) Cl.** ..... **26-05**

(52) **U.S. Cl.**  
USPC ..... **D26/71**

(58) **Field of Classification Search**  
USPC ..... D26/63, 71, 92  
CPC .. F21S 8/033; F21S 8/036; F21S 8/085; F21S  
8/086; F21V 21/30; F21W 2111/02  
See application file for complete search history.

(57) **CLAIM**

Ornamental design of a luminaire, as shown and described.

**DESCRIPTION**

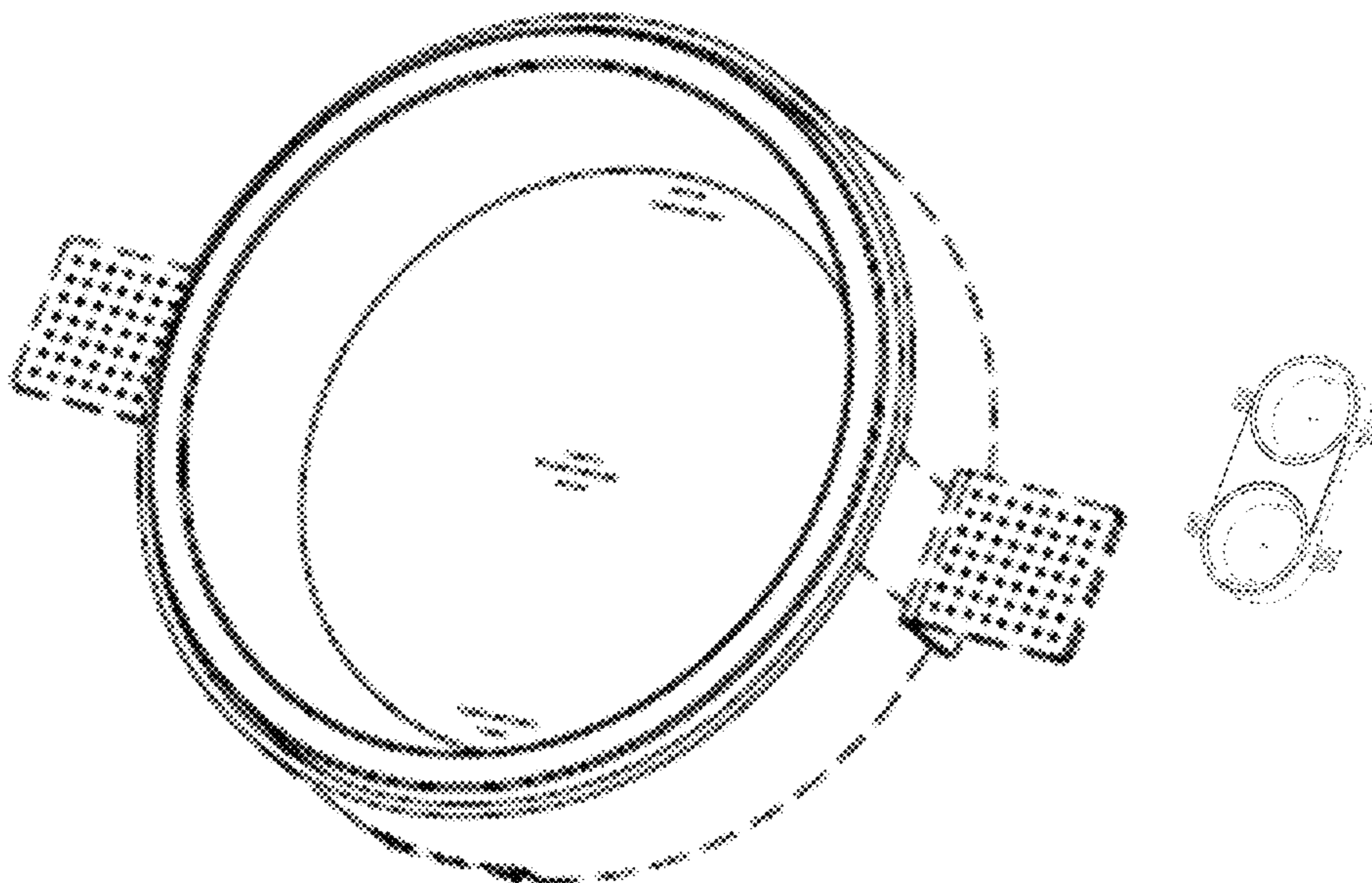
- 1.-2. Luminaire
- 1.1 is a top
- 1.2 is a front
- 1.3 is a left
- 1.4 is a perspective
- 1.5 is a perspective
- 1.6 is a perspective
- 2.1 is a top
- 2.2 is a front
- 2.3 is a perspective
- 2.4 is a perspective
- 2.5 is a left
- 2.6 is a perspective

(56) **References Cited**

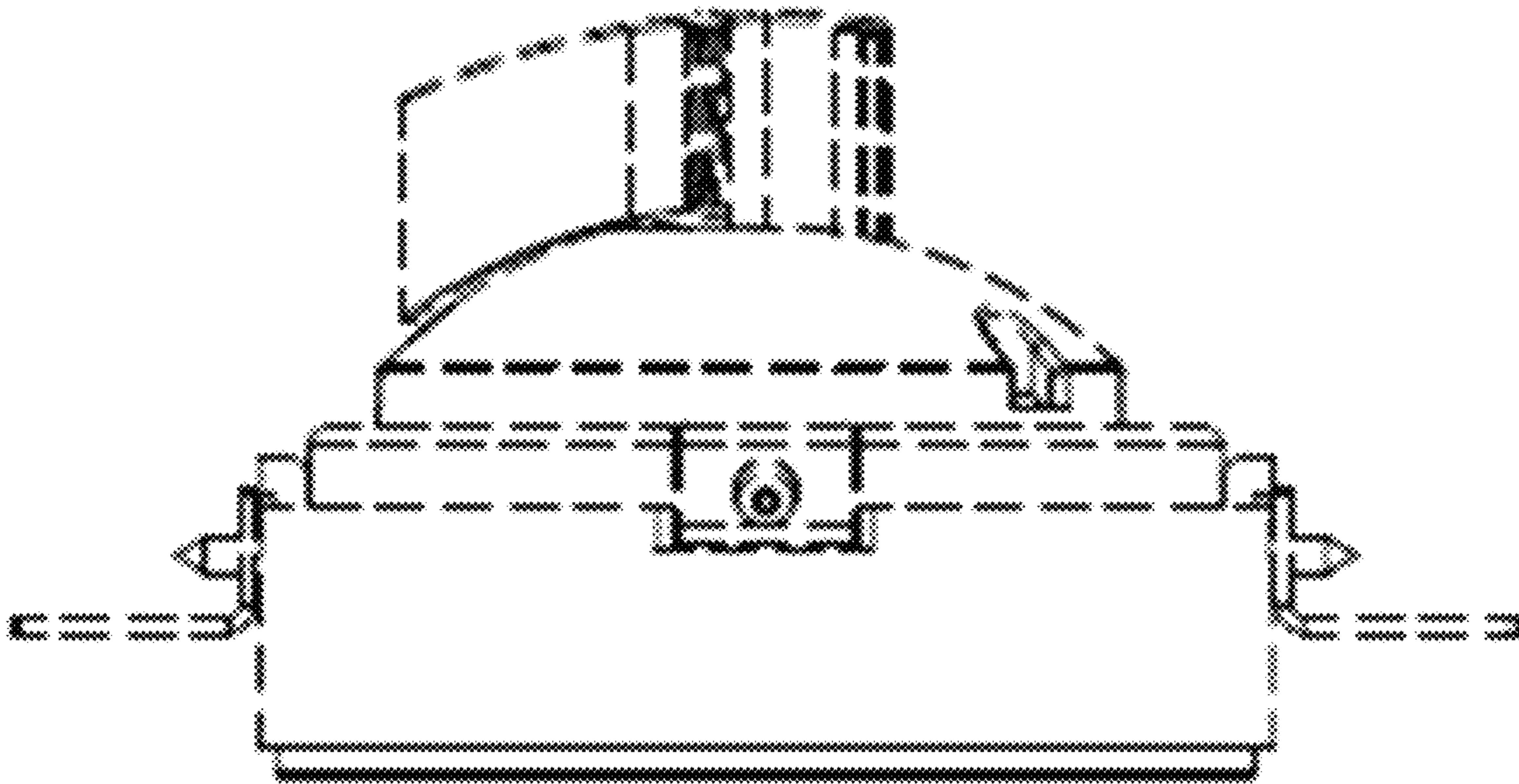
U.S. PATENT DOCUMENTS

5,283,968 A 2/1994 Williams  
5,625,968 A 5/1997 Ashall  
D698,973 S 2/2014 Santoro et al.  
D709,641 S \* 7/2014 Maxik ..... D26/113  
D709,642 S \* 7/2014 Maxik ..... D26/113

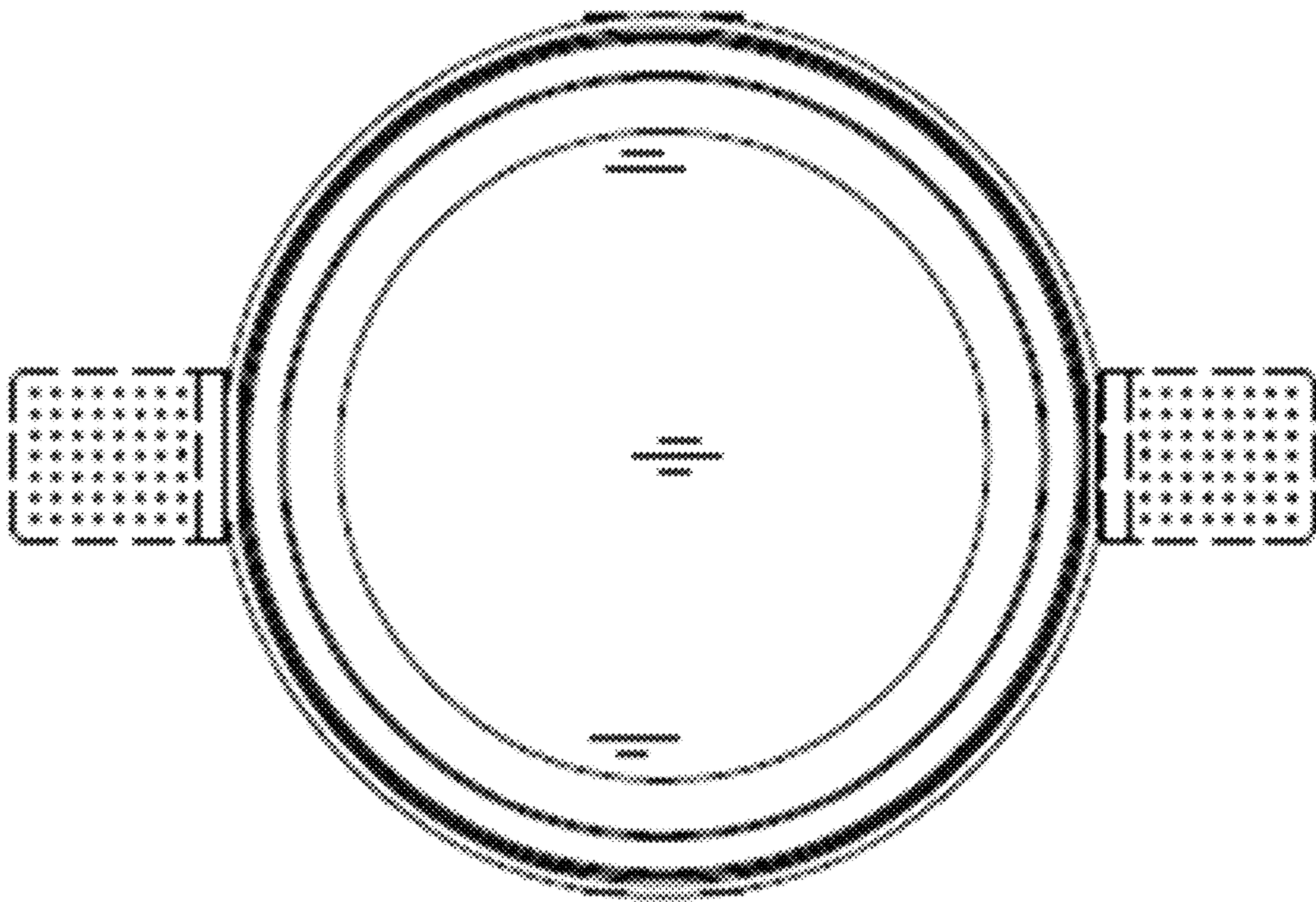
**1 Claim, 12 Drawing Sheets**



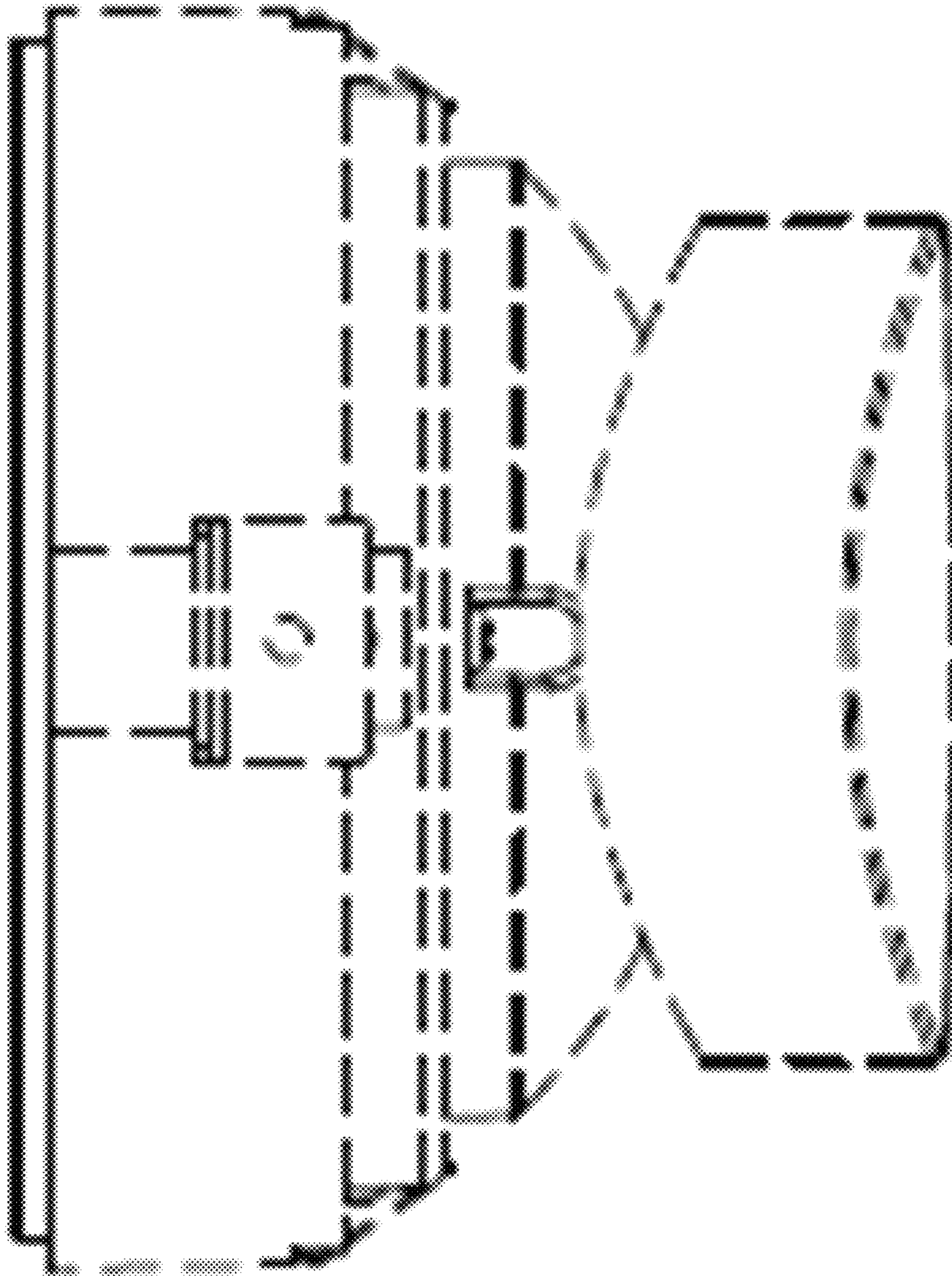
1.1



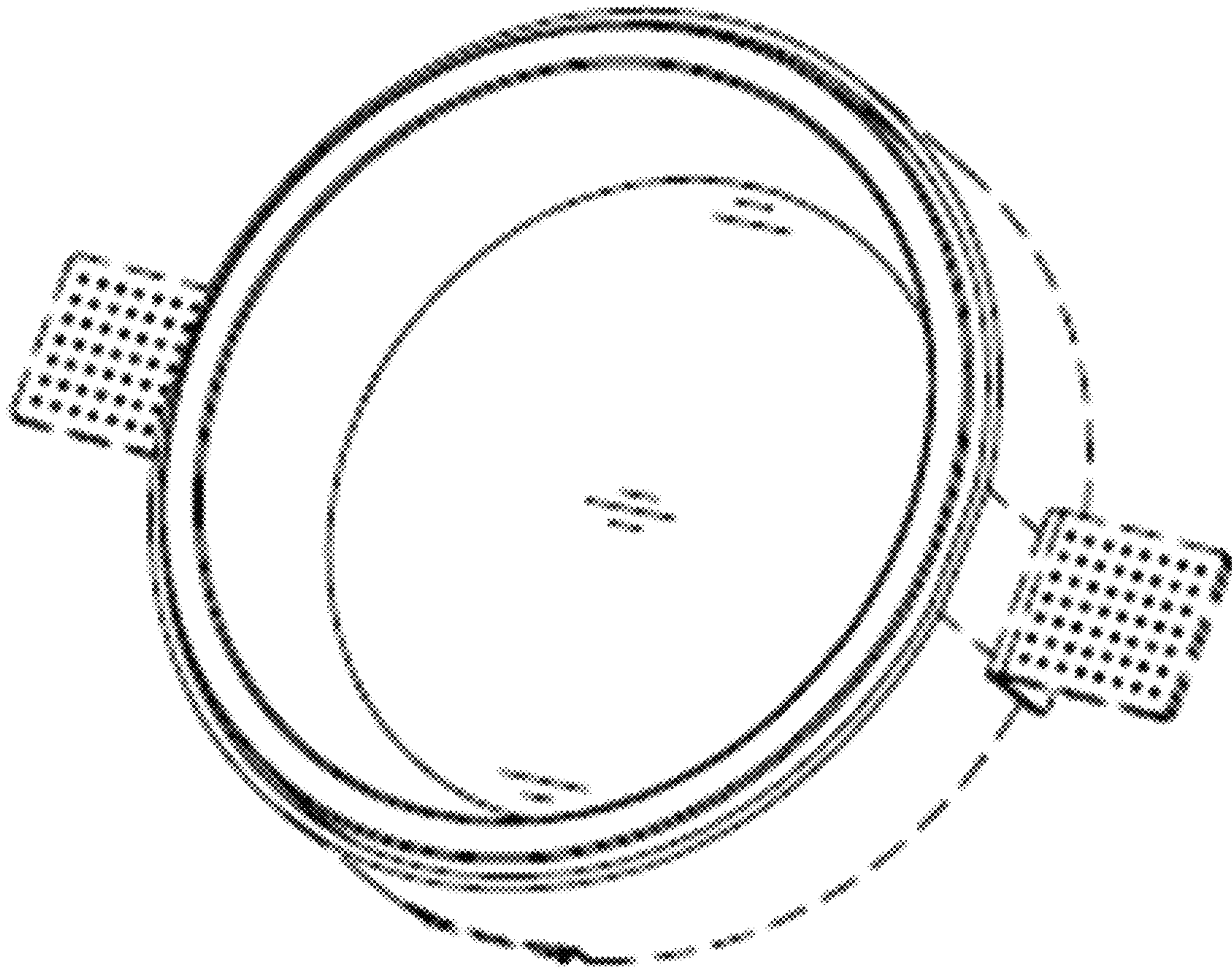
1.2



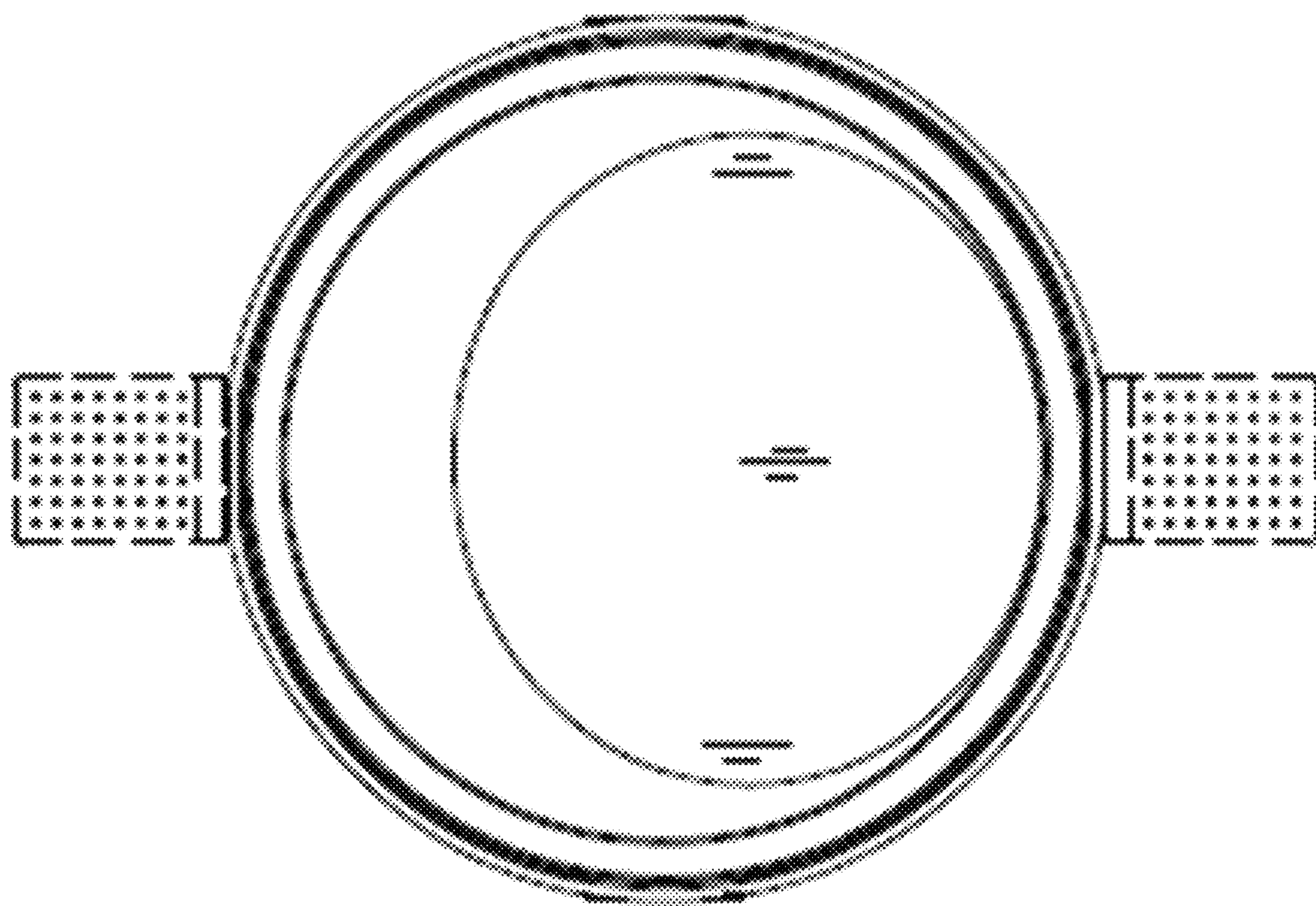
1.3



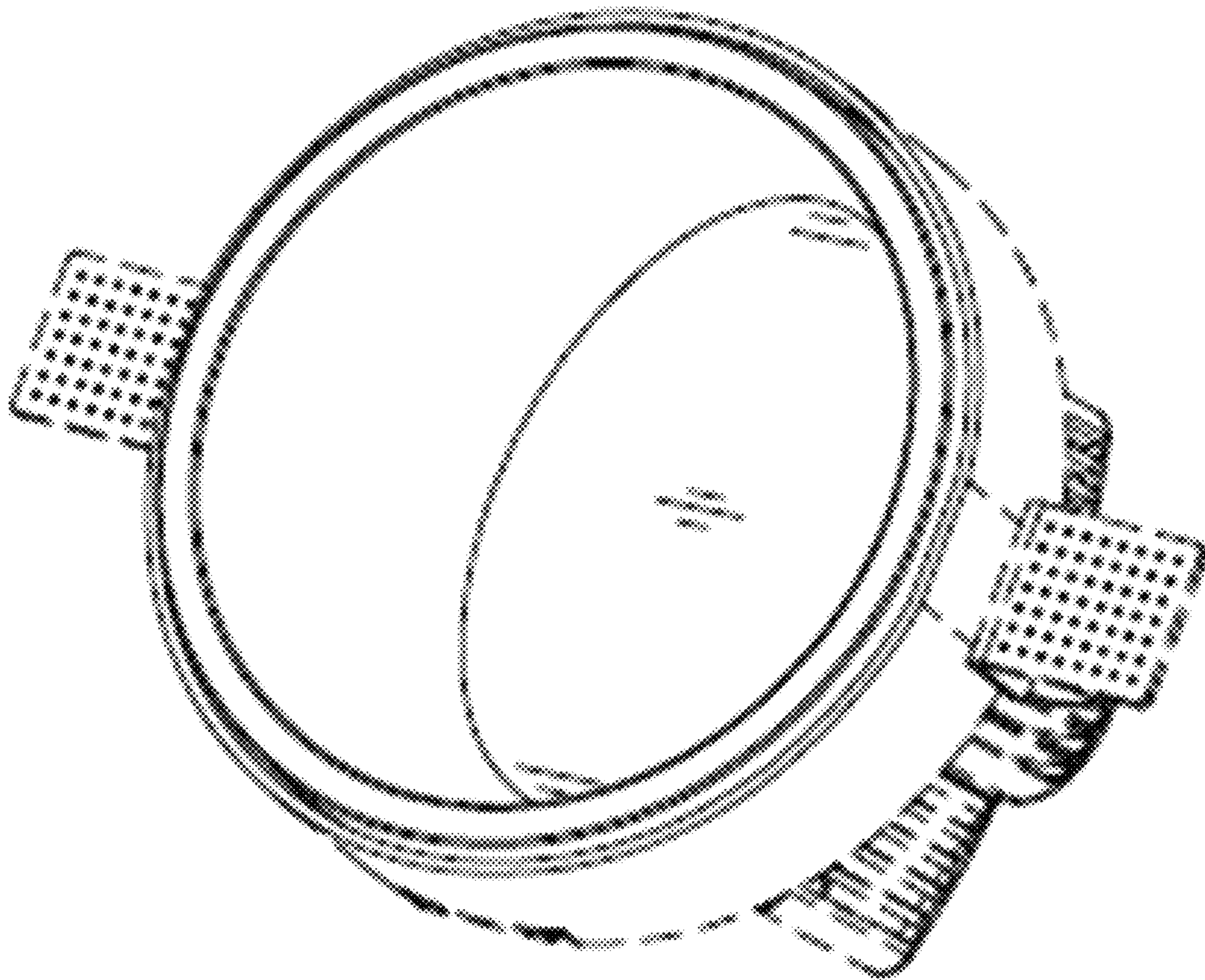
1.4



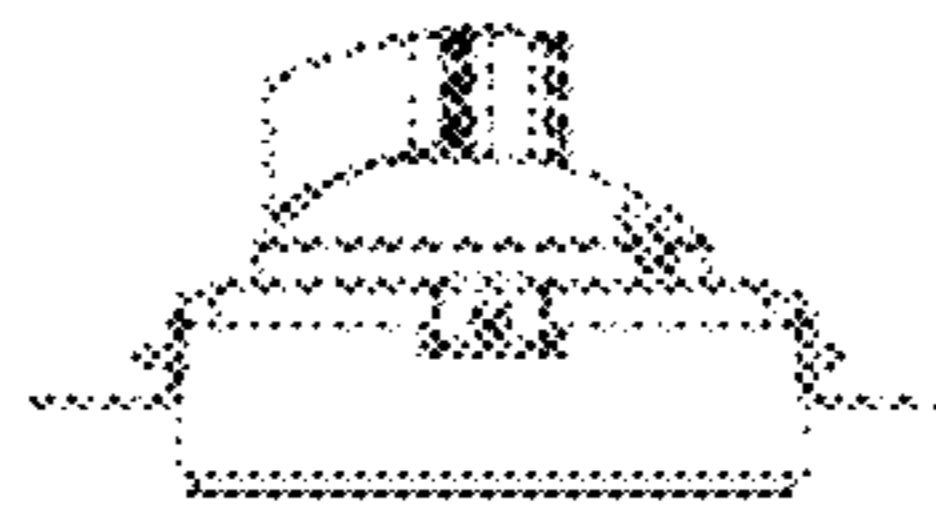
1.5



1.6

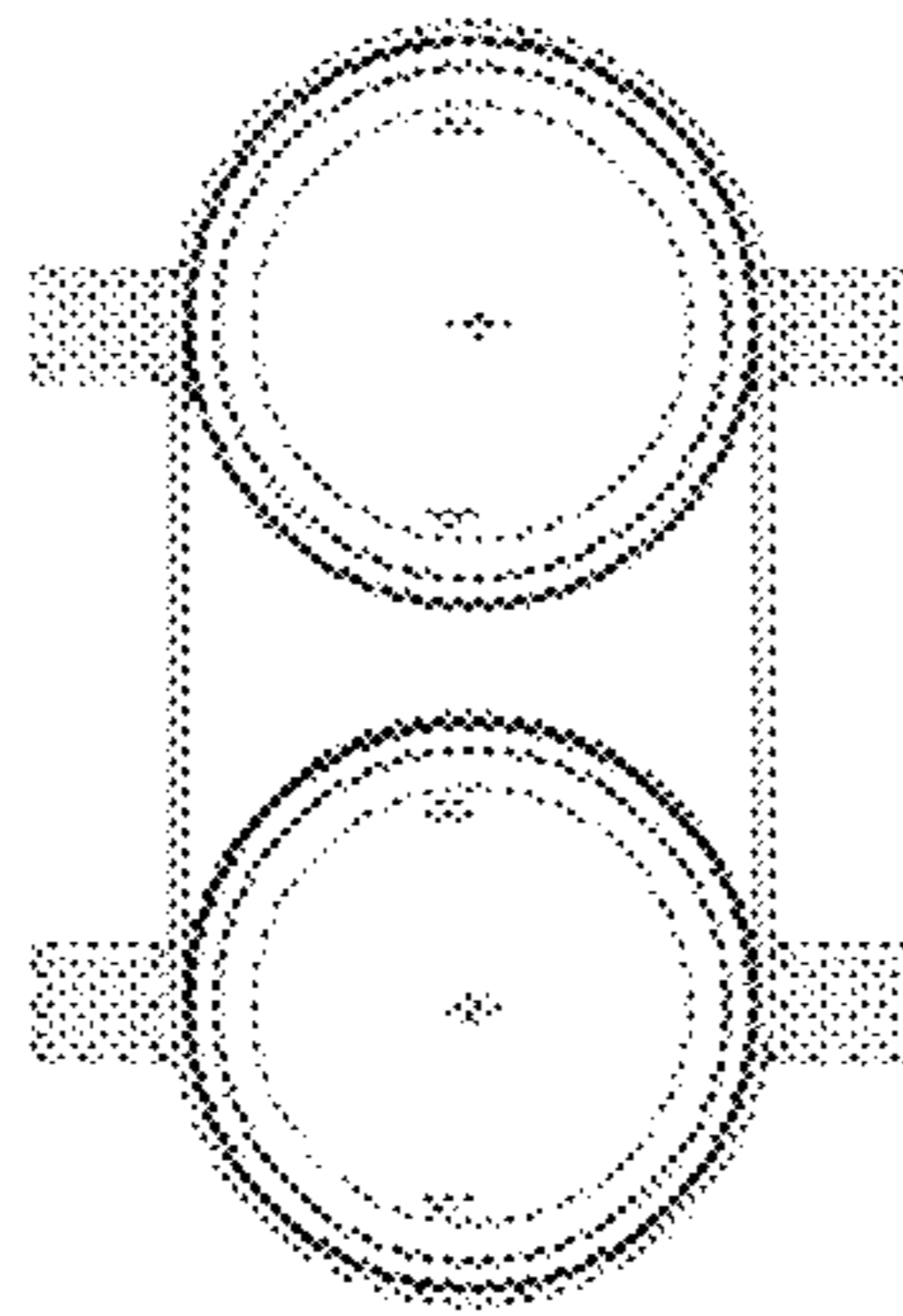


2.1

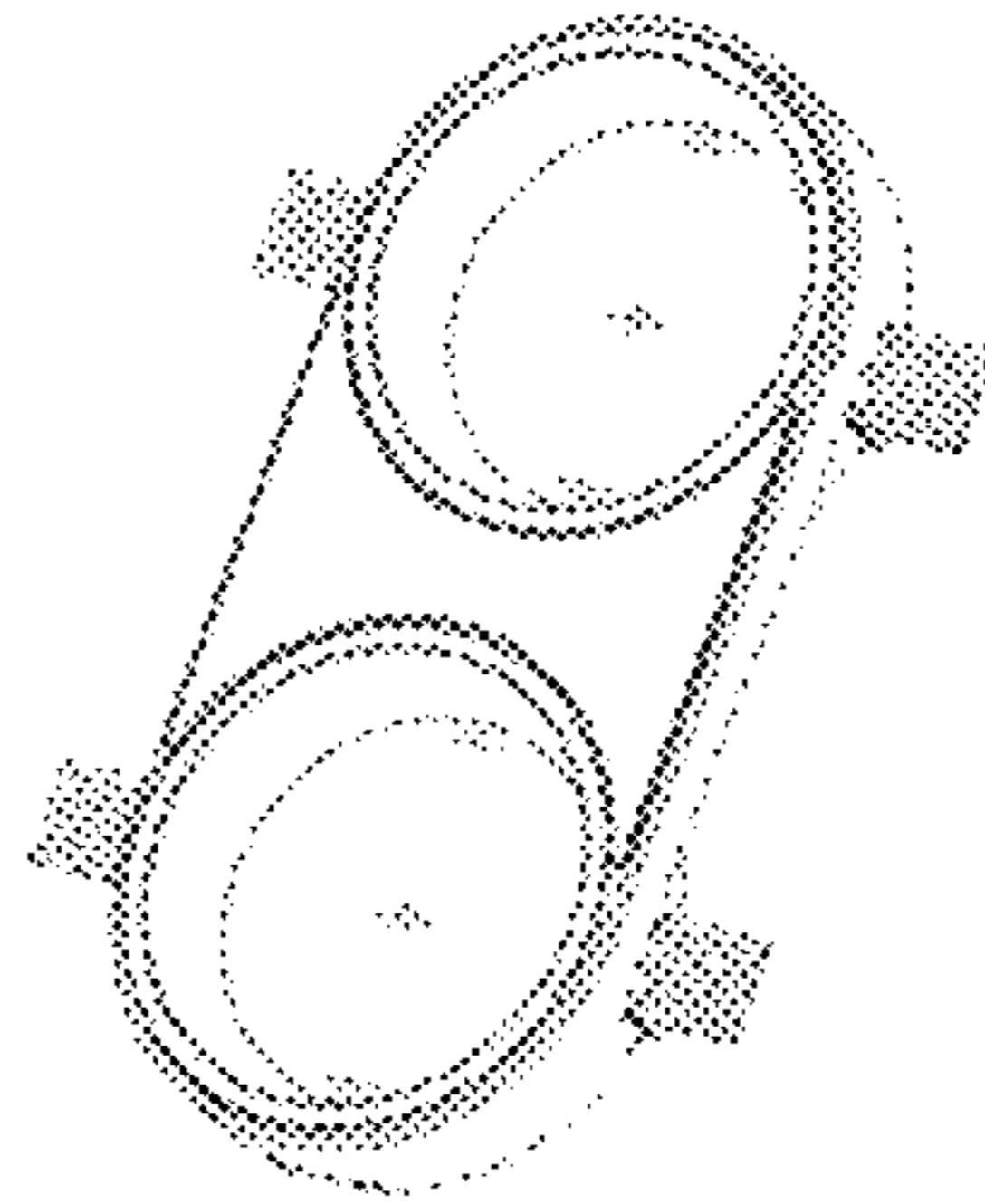




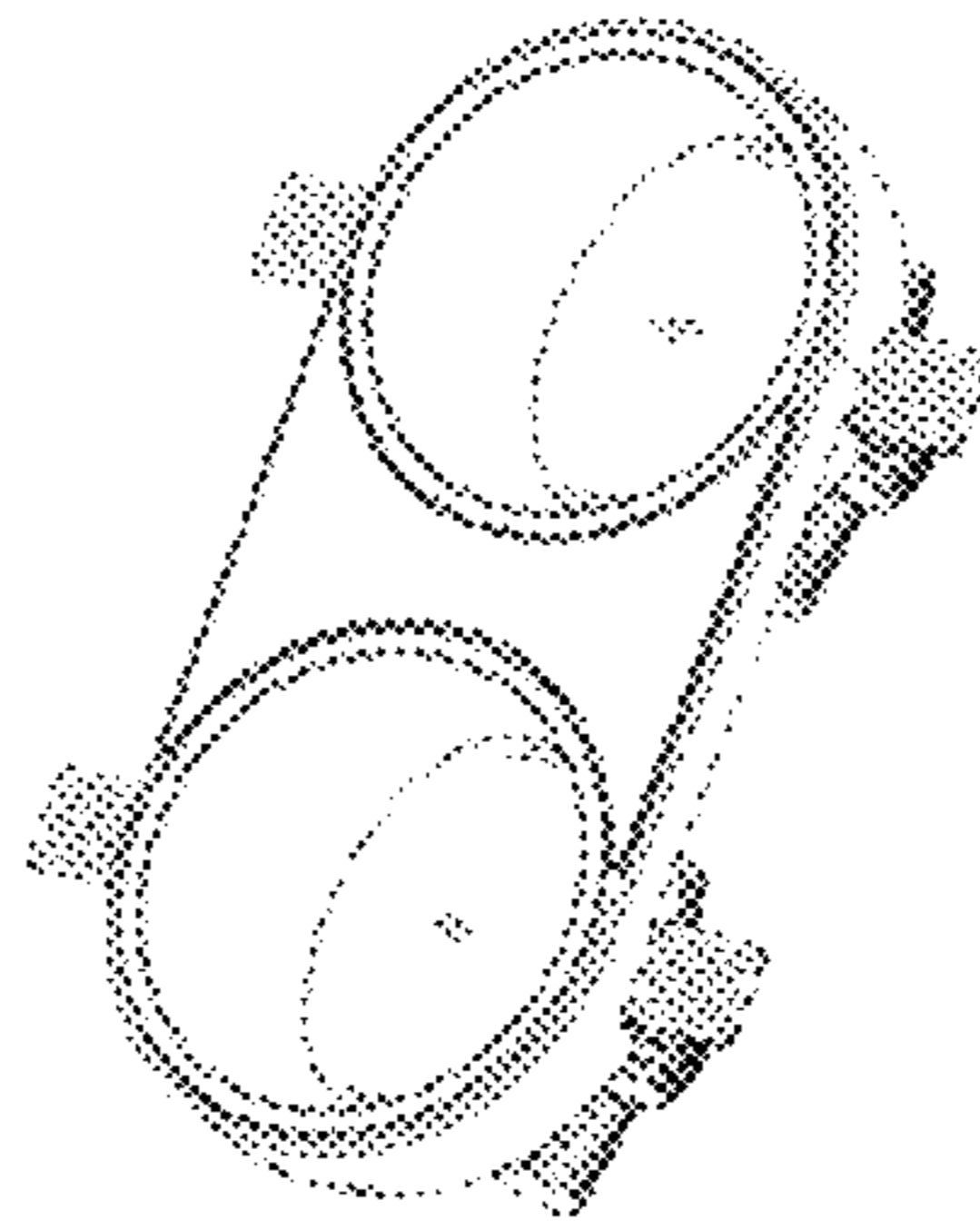
2.2



2.3



2.4



2.5



2.6

