



US00D820490S

(12) **United States Design Patent** (10) **Patent No.:** **US D820,490 S**
Altamura et al. (45) **Date of Patent:** **** Jun. 12, 2018**

(54) **PROJECTOR LIGHT**

- (71) Applicant: **Seasonal Specialties, LLC**, Eden Prairie, MN (US)
- (72) Inventors: **Steven J. Altamura**, Scarsdale, NY (US); **Weng Yunbing**, Taizhou (CN); **Chen YongTai**, WenLin (CN)
- (73) Assignee: **Seasonal Specialties, LLC**, Eden Prairie, MN (US)
- (**) Term: **15 Years**
- (21) Appl. No.: **29/626,355**
- (22) Filed: **Nov. 16, 2017**

Related U.S. Application Data

- (62) Division of application No. 29/583,073, filed on Nov. 2, 2016, now Pat. No. Des. 814,680.
- (51) **LOC (11) Cl.** **26-03**
- (52) **U.S. Cl.**
USPC **D26/63**
- (58) **Field of Classification Search**
USPC D26/1, 24, 61, 63, 65, 85, 92
CPC F21V 21/14; F21V 15/01; F21V 14/02;
F21V 21/30; F21V 21/00; F21V 14/00;
F21S 8/00; F21S 8/003; F21S 8/043;
F21Y 2105/001
- See application file for complete search history.

(56) **References Cited**

U.S. PATENT DOCUMENTS

D414,579 S *	9/1999	Denison	D26/63
6,902,292 B2	6/2005	Lai		
D542,959 S *	5/2007	Yao	D26/63
D559,091 S *	1/2008	Skorka	D8/367
D574,532 S *	8/2008	Lee	D26/63
D625,871 S *	10/2010	Huang	D26/63
D659,871 S *	5/2012	Lee	D26/63
D773,707 S *	12/2016	Lentine	D26/63
D800,938 S	10/2017	Guercio		
2016/0025309 A1	1/2016	Zhang		

* cited by examiner

Primary Examiner — Brian N. Vinson
 (74) *Attorney, Agent, or Firm* — Altera Law Group, LLC

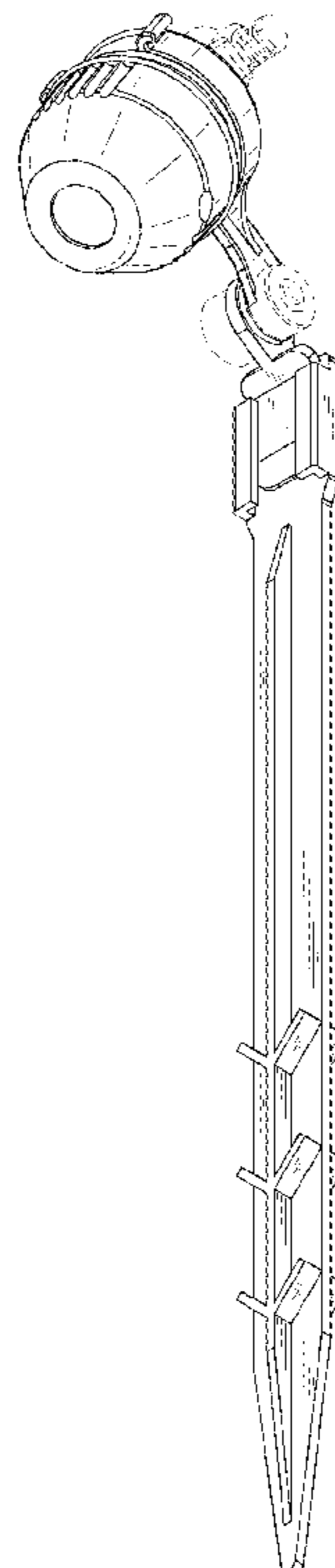
(57) **CLAIM**

The ornamental design for a projector light, as shown and described.

DESCRIPTION

FIG. 1 is a perspective view of the projector head with yoke and stake attached.
 FIG. 2 is a right side view of FIG. 1 thereof.
 FIG. 3 is a left side view of FIG. 1 thereof.
 FIG. 4 is a front view of FIG. 1 thereof.
 FIG. 5 is a rear view of FIG. 1 thereof.
 FIG. 6 is a top view of FIG. 1 thereof; and,
 FIG. 7 is a bottom view of FIG. 1 thereof.
 The broken line disclosure represents portions of the projector light which form no part of the claimed design.

1 Claim, 3 Drawing Sheets



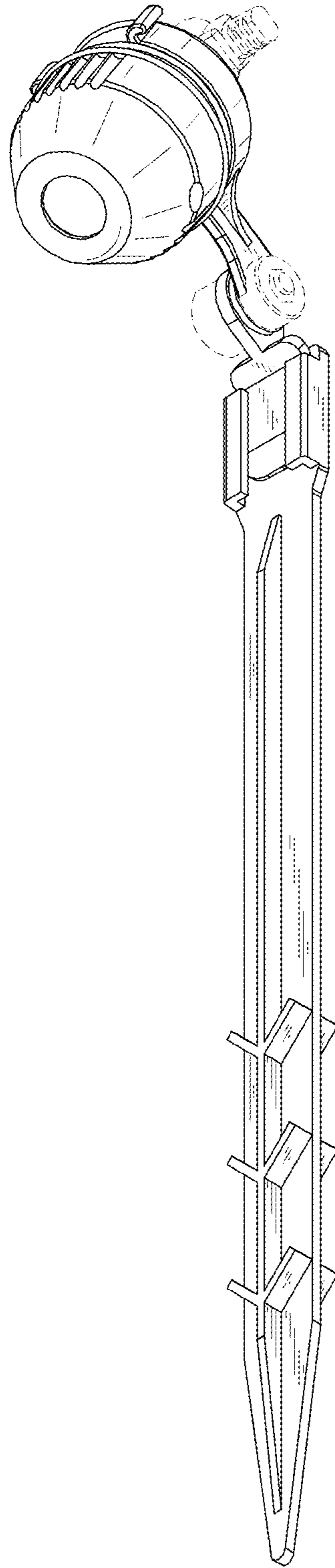


FIG. 1

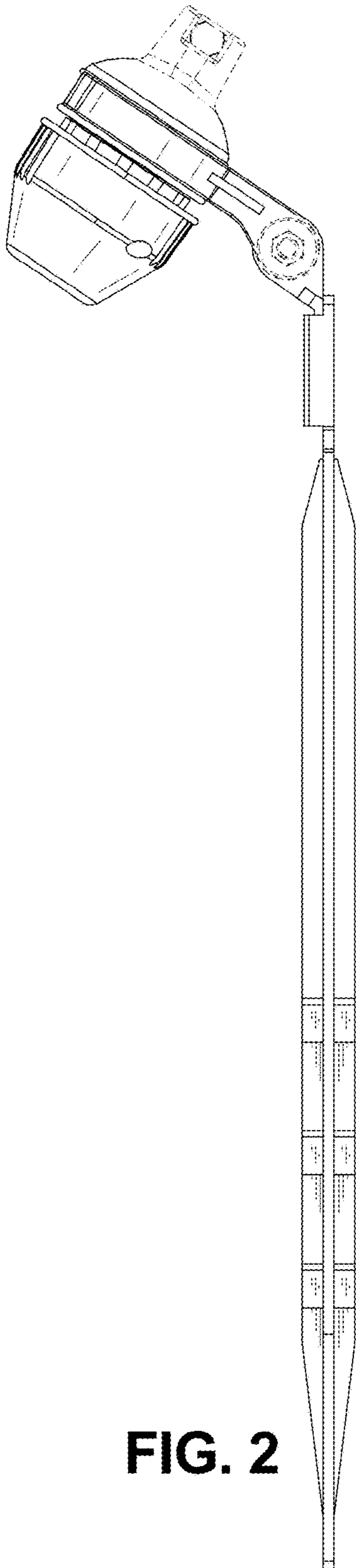


FIG. 2



FIG. 3

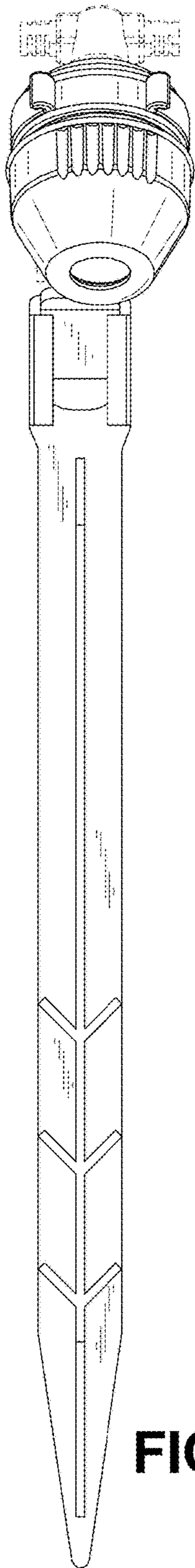


FIG. 4

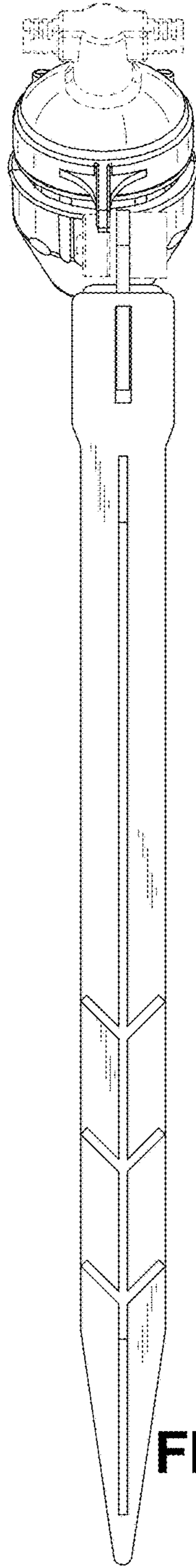


FIG. 5

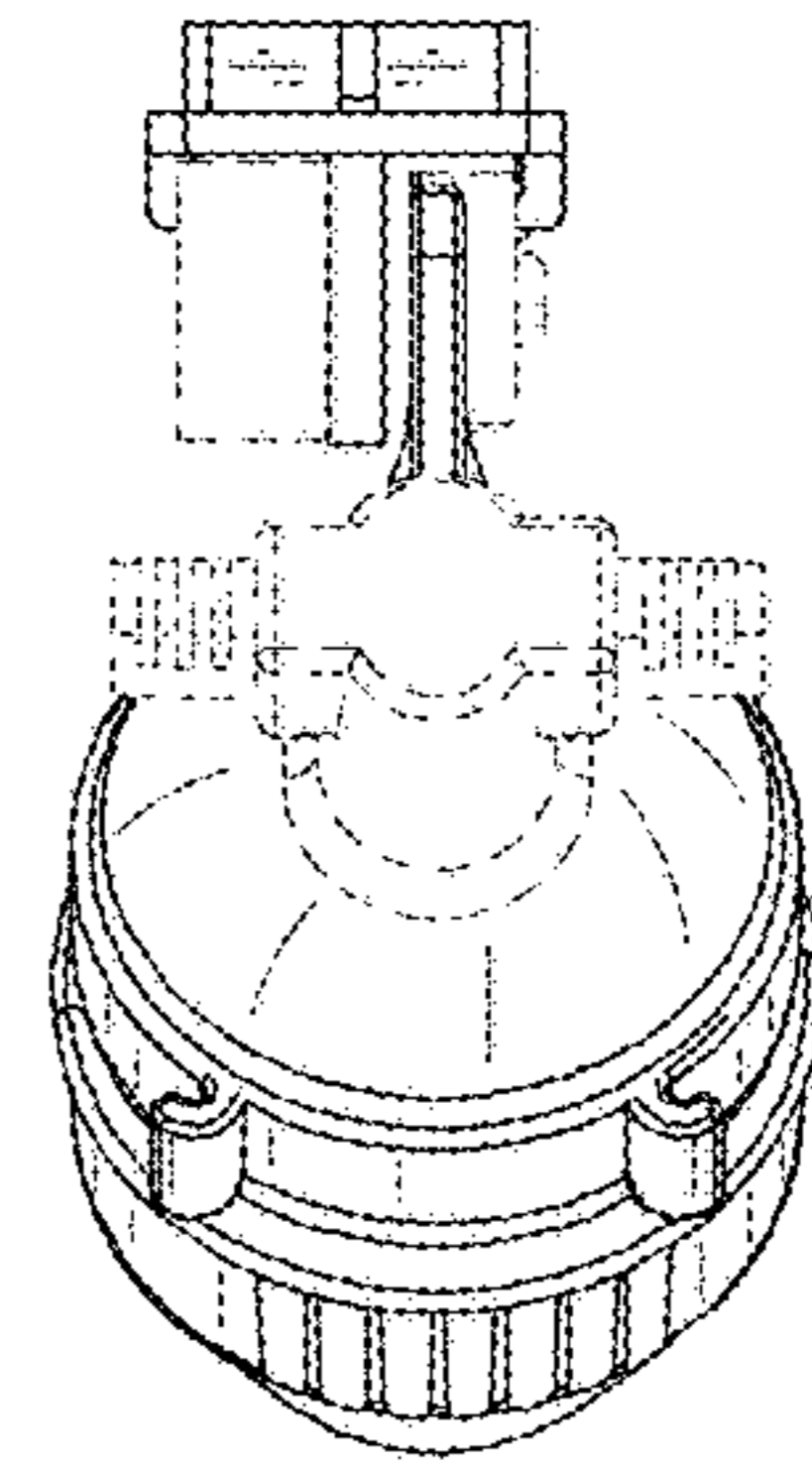


FIG. 6

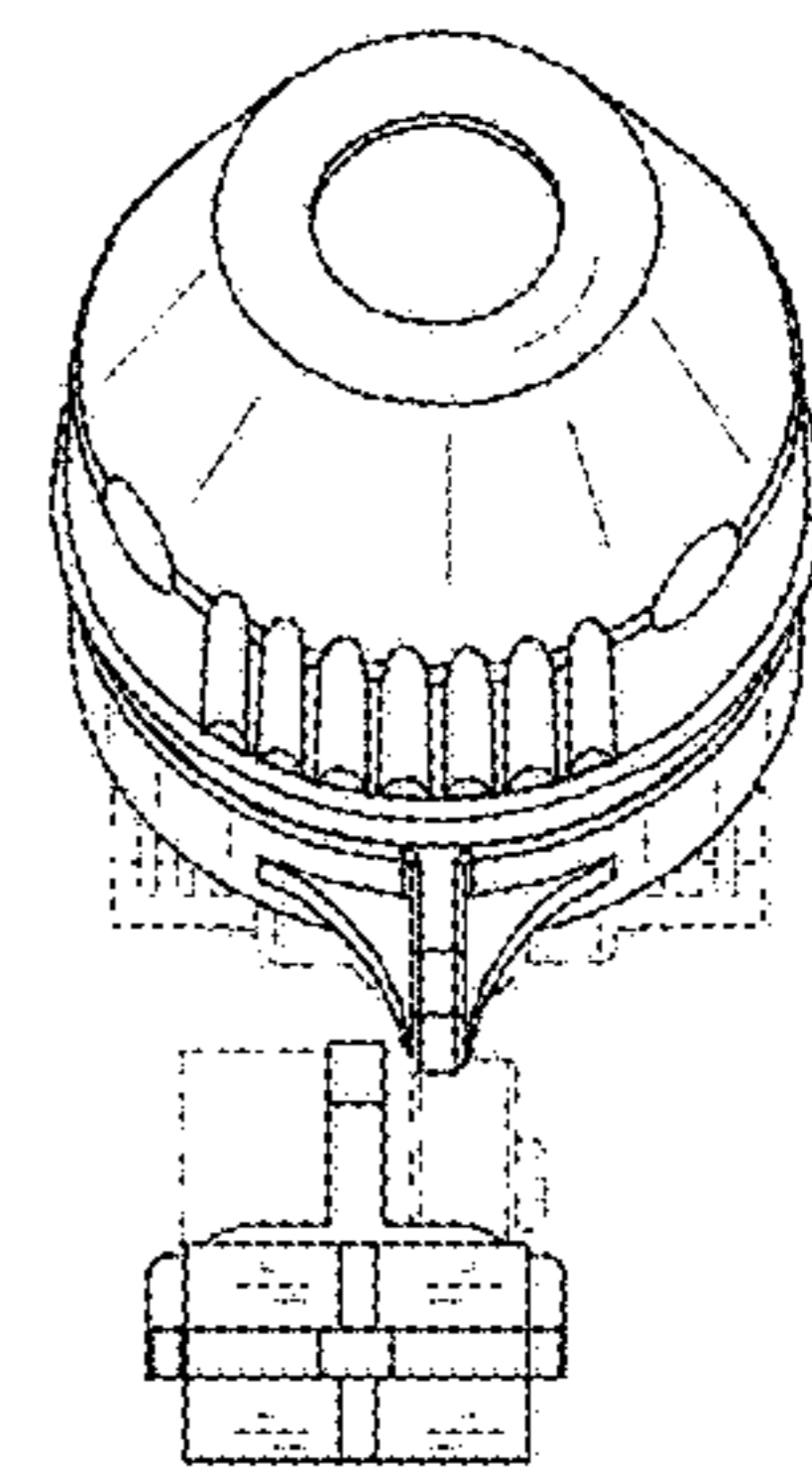


FIG. 7