



US00D820489S

(12) **United States Design Patent**
Zhang

(10) **Patent No.:** **US D820,489 S**
(45) **Date of Patent:** **** Jun. 12, 2018**

(54) **WORK LIGHT**

(71) Applicant: **Yuyao Jinfeng Electric Appliance Co., Ltd., Yuyao (CN)**

(72) Inventor: **Jifeng Zhang, Yuyao (CN)**

(73) Assignee: **Yuyao Jinfeng Electric Appliance Co., Ltd., Yuyao (CN)**

(**) Term: **15 Years**

(21) Appl. No.: **29/556,126**

(22) Filed: **Feb. 26, 2016**

(30) **Foreign Application Priority Data**

Aug. 27, 2015 (CN) 2015 3 0325596

(51) **LOC (11) Cl.** **26-02**

(52) **U.S. Cl.**
USPC **D26/44; D26/61**

(58) **Field of Classification Search**
USPC D26/37, 38, 40, 42, 44, 46, 51, 63, 61
CPC F21L 2003/00; F21L 4/00; F21L 4/005;
F21L 4/02; F21L 4/025; F21L 4/027;
F21L 4/04; F21L 4/08; F21L 2005/00;
F21L 7/00; F21L 11/00; F21L 13/00;
F21L 13/04; F21L 13/08; F21L 14/02;
F21L 17/00; F21L 19/00

See application file for complete search history.

(56) **References Cited**

U.S. PATENT DOCUMENTS

D403,094 S * 12/1998 Grossman D26/119
D403,455 S * 12/1998 Duennes D26/119
D462,802 S * 9/2002 Kovacik D26/63
D486,599 S * 2/2004 Bayat D26/63
D549,859 S * 8/2007 Kovacik D26/37
D553,771 S * 10/2007 Watson D26/37

D558,369 S * 12/2007 O'Hern D26/42
D583,988 S * 12/2008 Sandell D26/138
D588,733 S * 3/2009 O'Hern D26/42
D593,236 S * 5/2009 Ng D26/37
D596,774 S * 7/2009 Vines D26/51
D611,632 S * 3/2010 Diehl D26/50
D611,633 S * 3/2010 Thomson D26/51
D625,872 S * 10/2010 Leen D26/63
D679,845 S * 4/2013 Huang D26/37
D698,471 S * 1/2014 Poon D26/37
D736,442 S * 8/2015 Kovacik D26/37
D742,058 S * 10/2015 Chen D26/109
D761,472 S * 7/2016 Zhu D26/63
D761,473 S * 7/2016 Zhang D26/63
D774,231 S * 12/2016 Recker D26/63
D779,094 S * 2/2017 Xu D26/63
D779,097 S * 2/2017 Xu D26/63
D780,969 S * 3/2017 Zhu D26/63

(Continued)

Primary Examiner — Lakiya G Rogers

Assistant Examiner — Carissa C Fitts

(74) *Attorney, Agent, or Firm* — Wang Law Firm, Inc.

(57) **CLAIM**

The ornamental design for a work light, as shown and described.

DESCRIPTION

FIG. 1 is a front view of the work light showing my new design;

FIG. 2 is a left view thereof;

FIG. 3 is a right view thereof;

FIG. 4 is a rear view thereof;

FIG. 5 is a top view thereof;

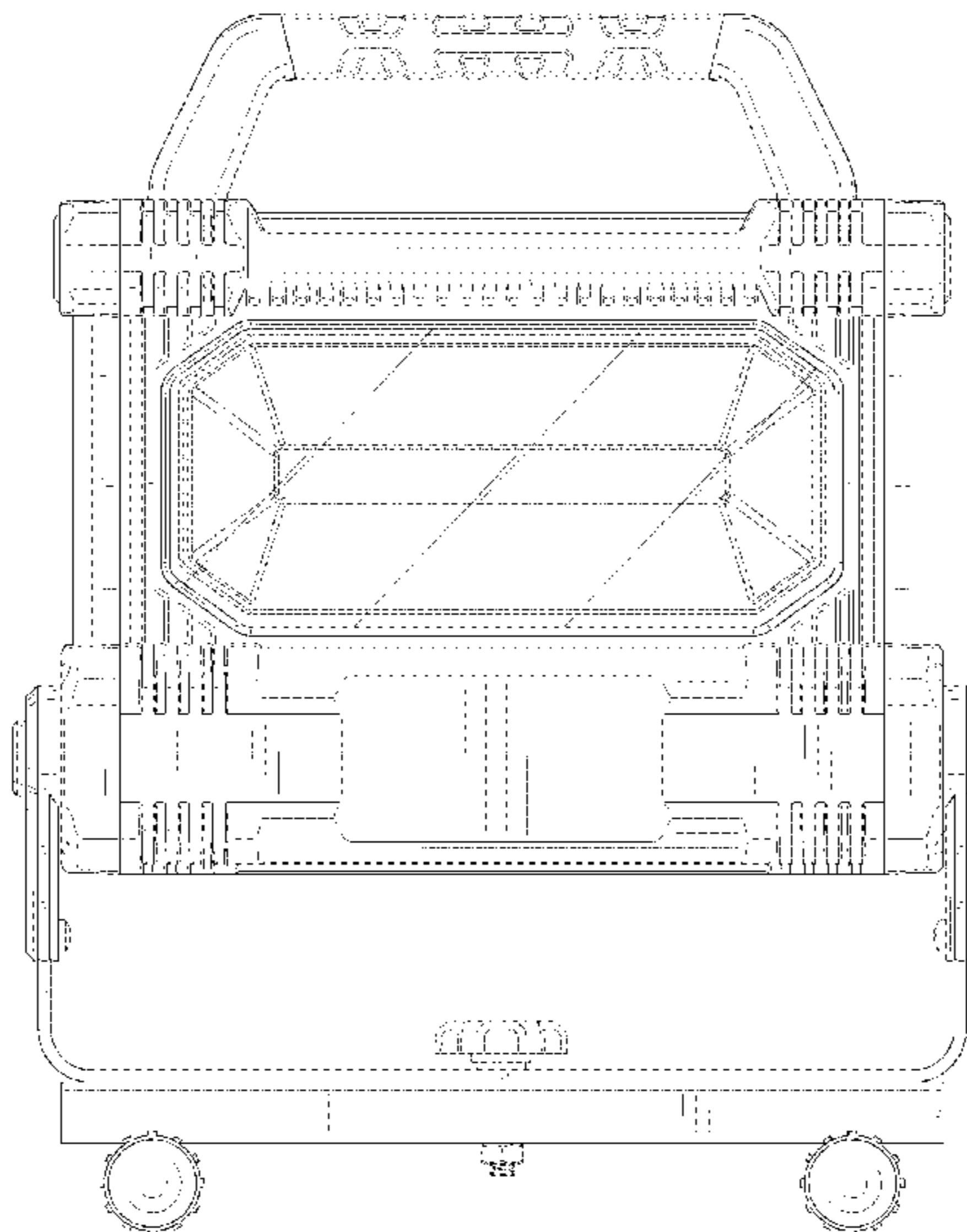
FIG. 6 is a bottom view thereof;

FIG. 7 is a front perspective view thereof; and,

FIG. 8 is a front perspective view thereof with an upper frame bent.

The broken lines shown on the drawings delineate the unclaimed portion of the ornamental design.

1 Claim, 8 Drawing Sheets



(56)

References Cited

U.S. PATENT DOCUMENTS

D781,480 S *	3/2017	Zhan	D26/63
2006/0146523 A1 *	7/2006	Yuen	F21L 14/026
			362/183

* cited by examiner

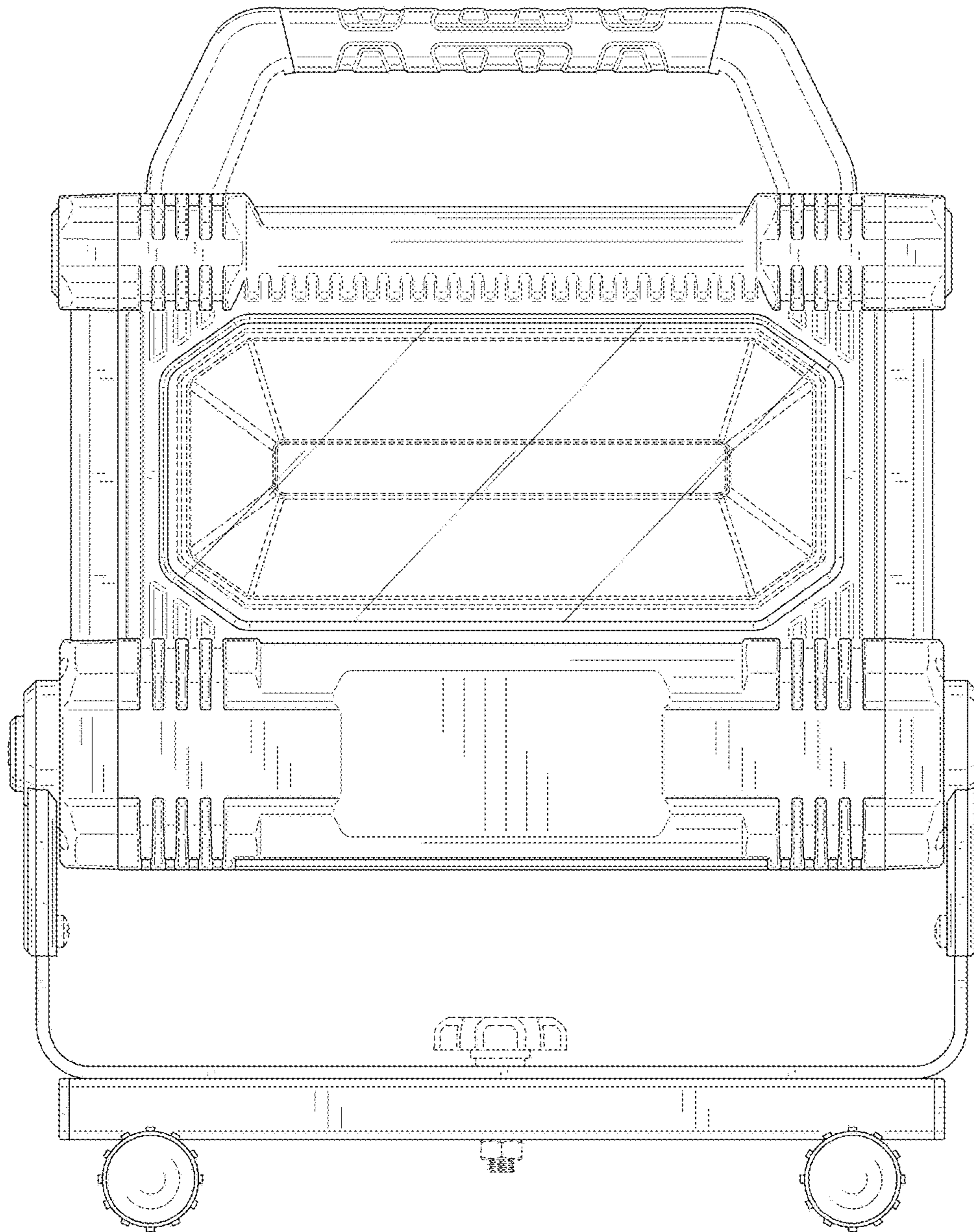


FIG. 1

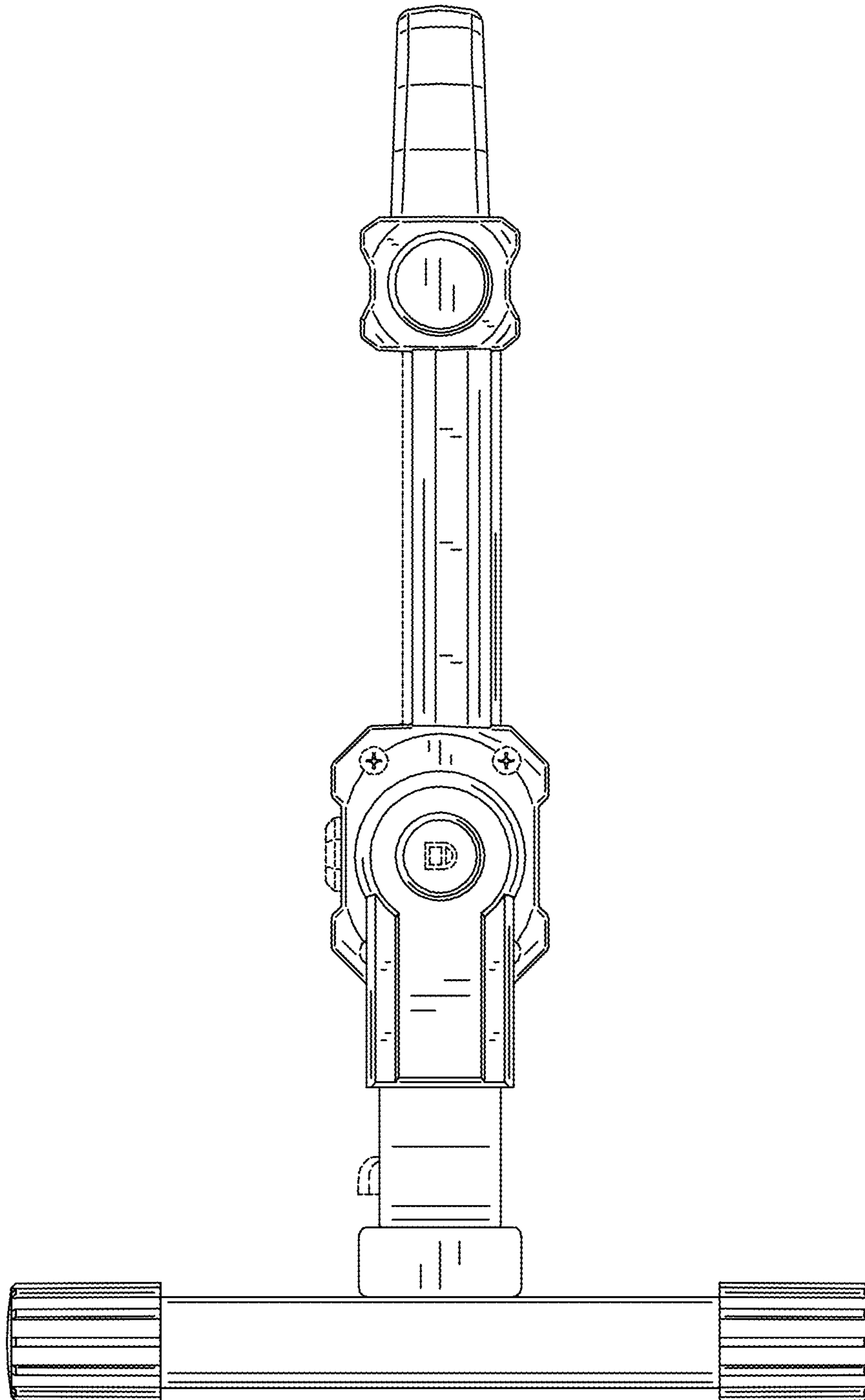


FIG. 2

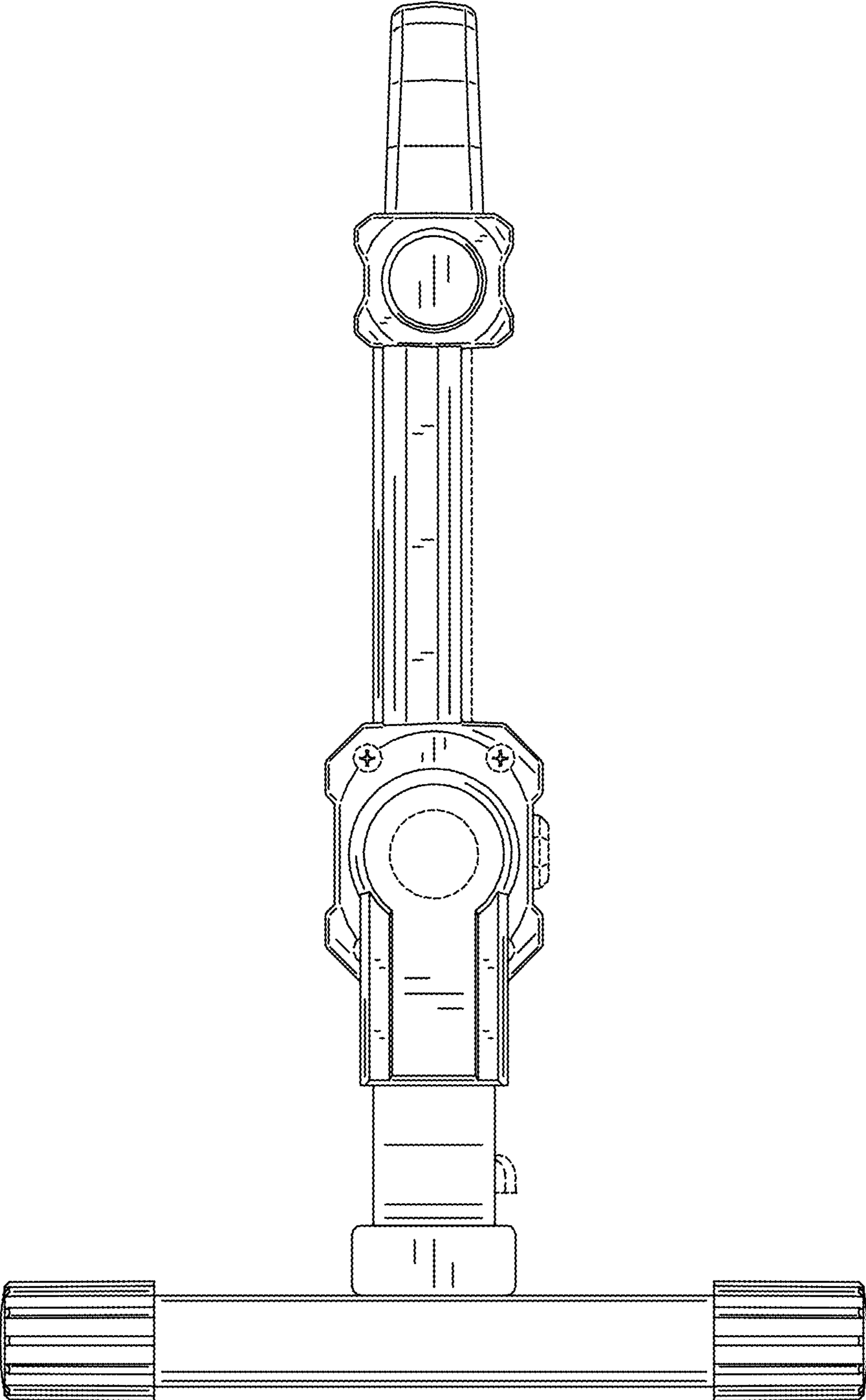


FIG. 3

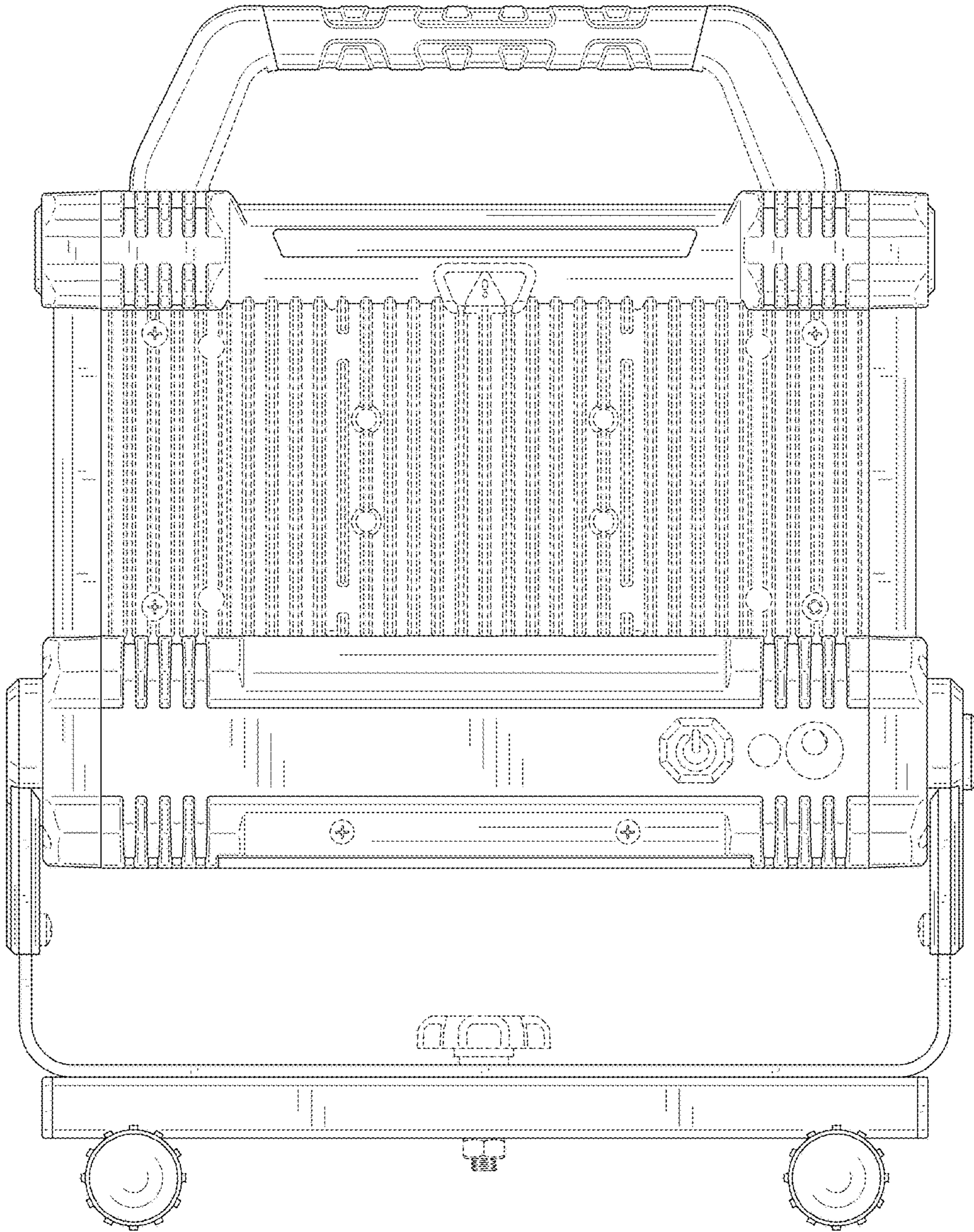


FIG. 4

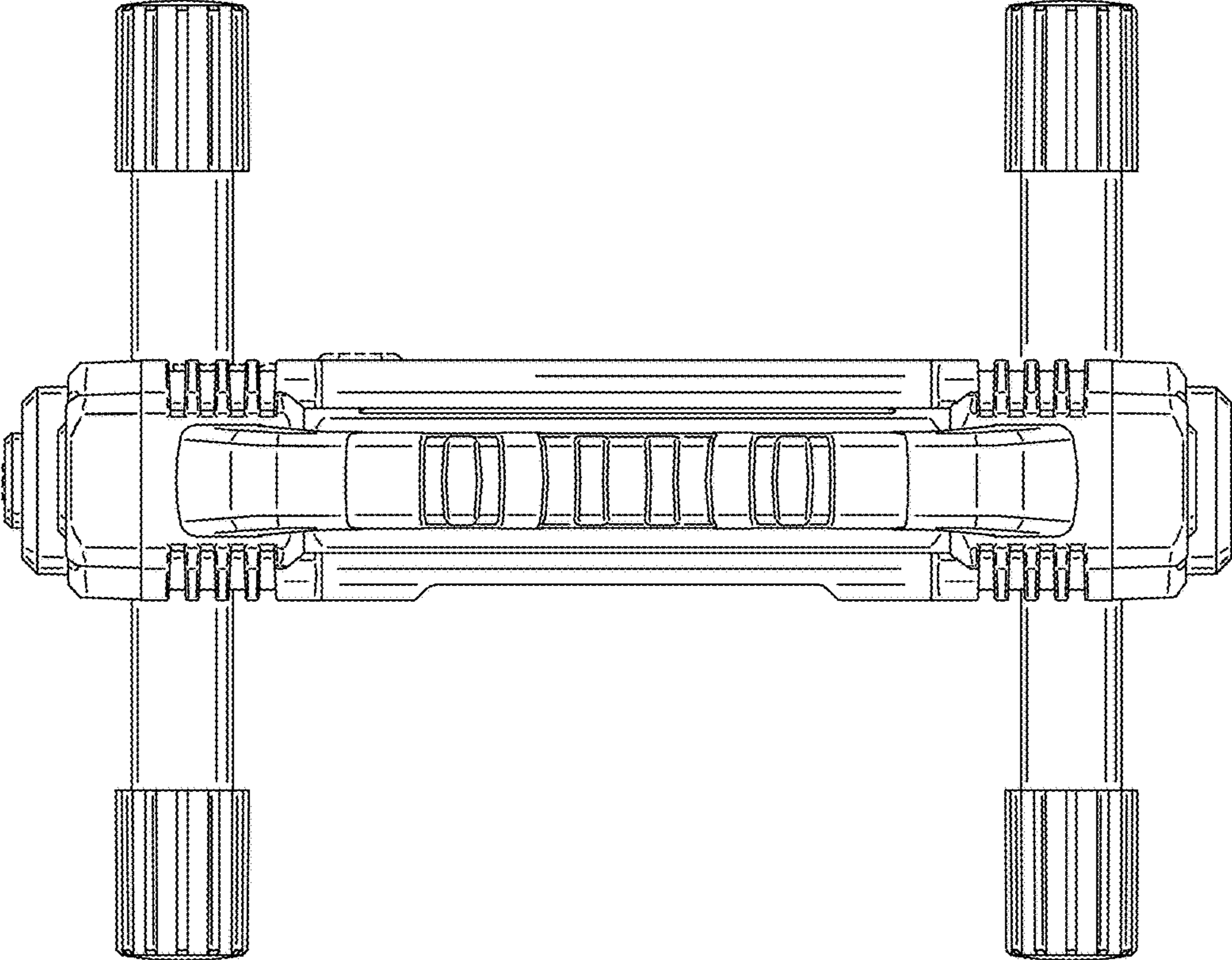


FIG. 5

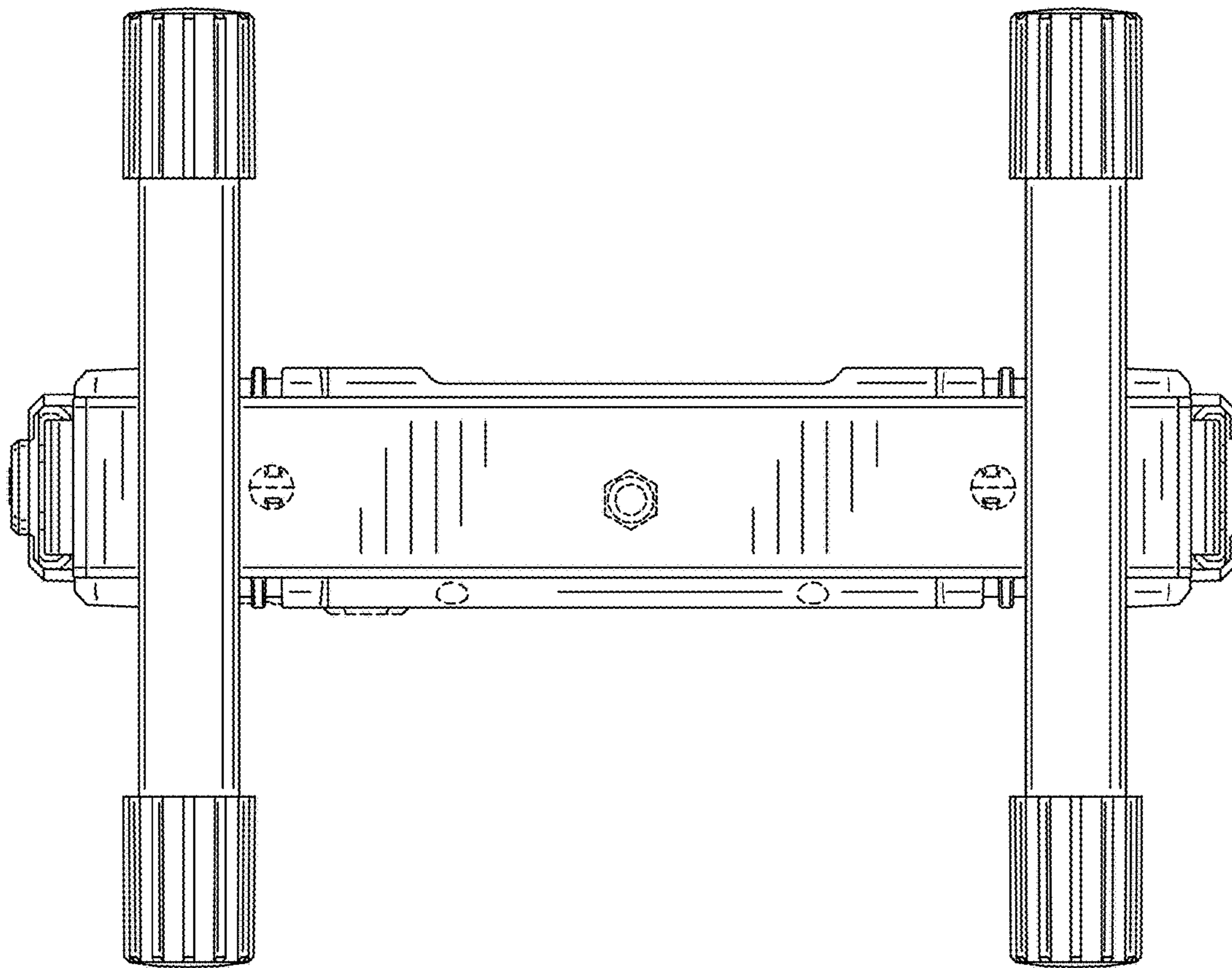


FIG. 6

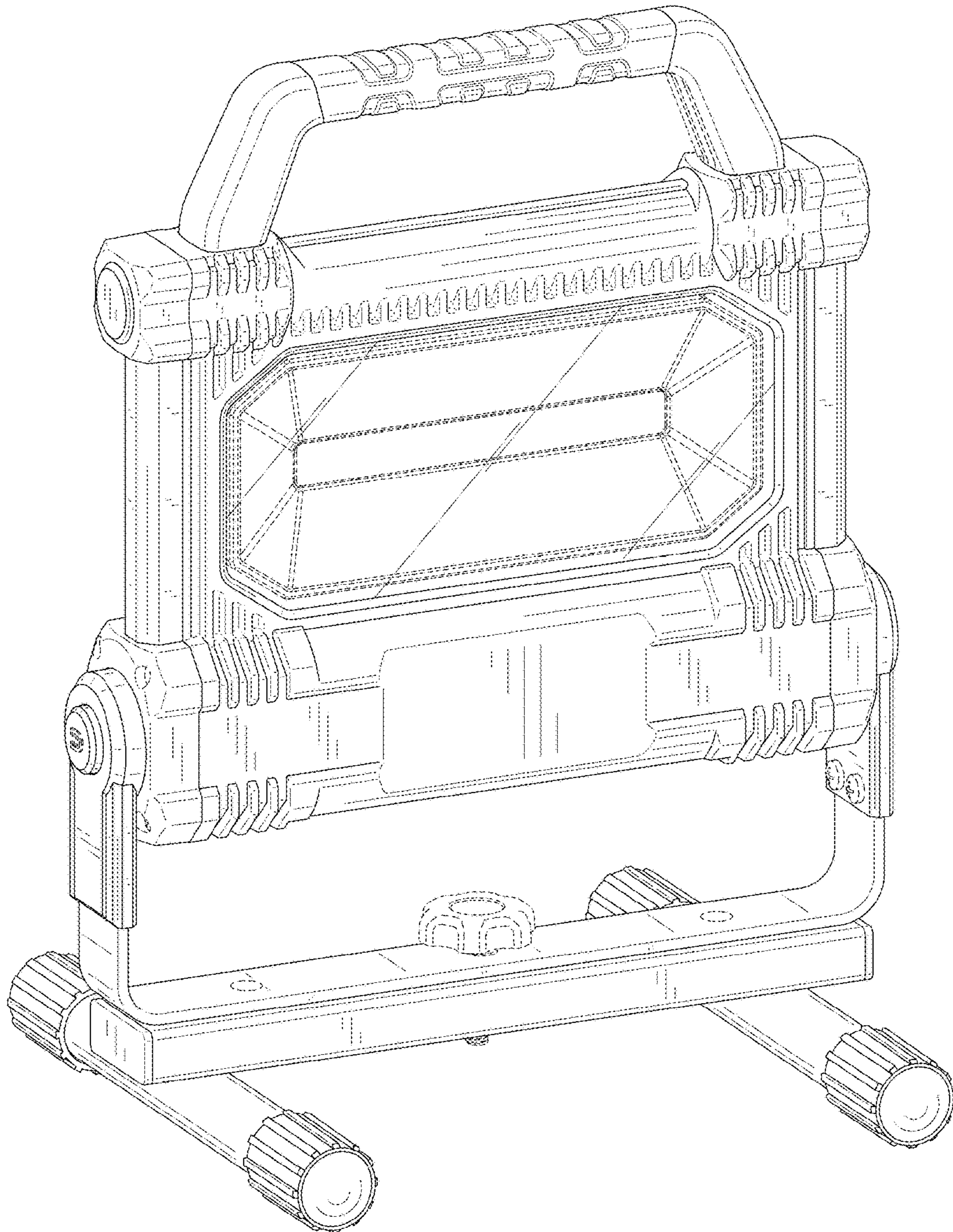


FIG. 7

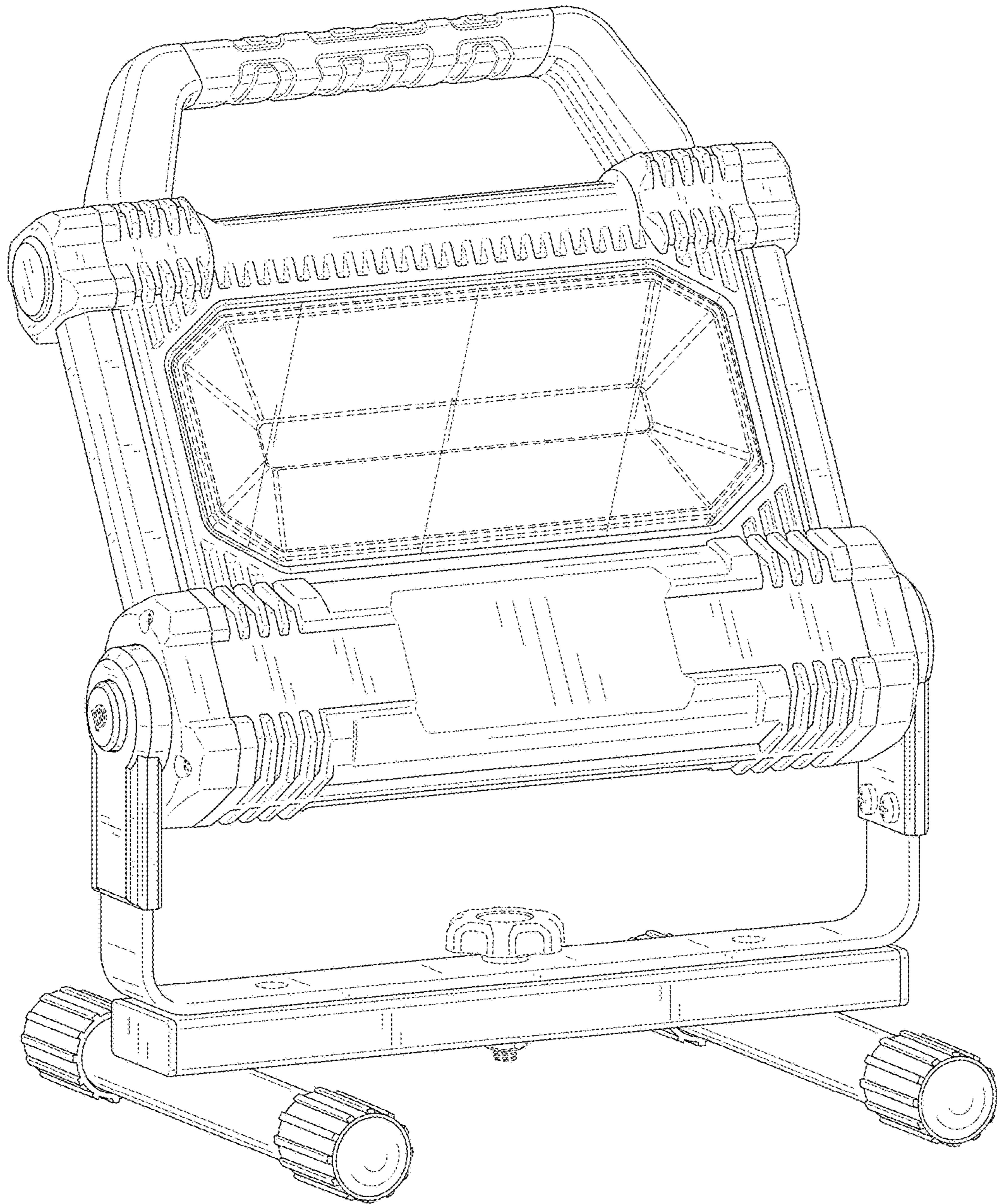


FIG. 8