



US00D820488S

(12) **United States Design Patent** (10) **Patent No.:** **US D820,488 S**
Kinsen Ka Fai (45) **Date of Patent:** **** Jun. 12, 2018**

(54) **INTERACTIVE LIGHTING DEVICE**

(71) Applicant: **SPIN-R LIMITED**, Tuen Mun, N.T. (HK)

(72) Inventor: **Au Kinsen Ka Fai**, Tuen Mun (HK)

(73) Assignee: **SPIN-R LIMITED**, Tuen Mun, N.T. (HK)

(**) Term: **15 Years**

(21) Appl. No.: **29/547,333**

(22) Filed: **Dec. 2, 2015**

(51) **LOC (11) Cl.** **26-02**

(52) **U.S. Cl.**
USPC **D26/37**

(58) **Field of Classification Search**
USPC D26/37, 38, 40, 41, 42, 46, 50, 51
CPC F21L 2003/00; F21L 4/00; F21L 4/005;
F21L 4/02; F21L 4/025; F21L 4/027;
F21L 4/04; F21L 4/08; F21L 2005/00;
F21L 7/00; F21L 11/00; F21L 13/00;
F21L 13/04; F21L 13/08; F21L 14/02;
F21L 17/00; F21L 19/00

See application file for complete search history.

(56) **References Cited**

U.S. PATENT DOCUMENTS

D250,428 S	*	11/1978	Bennett	D26/50
D397,470 S	*	8/1998	Bassford	D10/104.1
D485,003 S	*	1/2004	Olson	D26/104
D516,501 S	*	3/2006	Ware, Jr.	D13/102
D589,204 S	*	3/2009	Sabernig	D26/104
D633,239 S	*	2/2011	Chen	D26/41

D648,471 S	*	11/2011	Wauters	D26/63
D656,654 S	*	3/2012	Wauters	D26/89
D670,843 S	*	11/2012	von Waldthausen	D26/37
D684,718 S	*	6/2013	Ko	D26/72
D699,376 S	*	2/2014	Kim	D26/1
D702,863 S	*	4/2014	Kotsis	D26/37
D727,387 S	*	4/2015	Hasegawa	D16/203
D728,836 S	*	5/2015	Metlen	D26/41
D745,589 S	*	12/2015	Lee	D16/218
D745,988 S	*	12/2015	Ahn	D26/38
D761,483 S	*	7/2016	Pratt	D26/118
D769,234 S	*	10/2016	Rami	D14/253
D773,706 S	*	12/2016	Ookawa	D26/51

* cited by examiner

Primary Examiner — Lakiya G Rogers

Assistant Examiner — Carissa C Fitts

(74) *Attorney, Agent, or Firm* — Sideman & Bancroft LLP; Guy W. Chambers

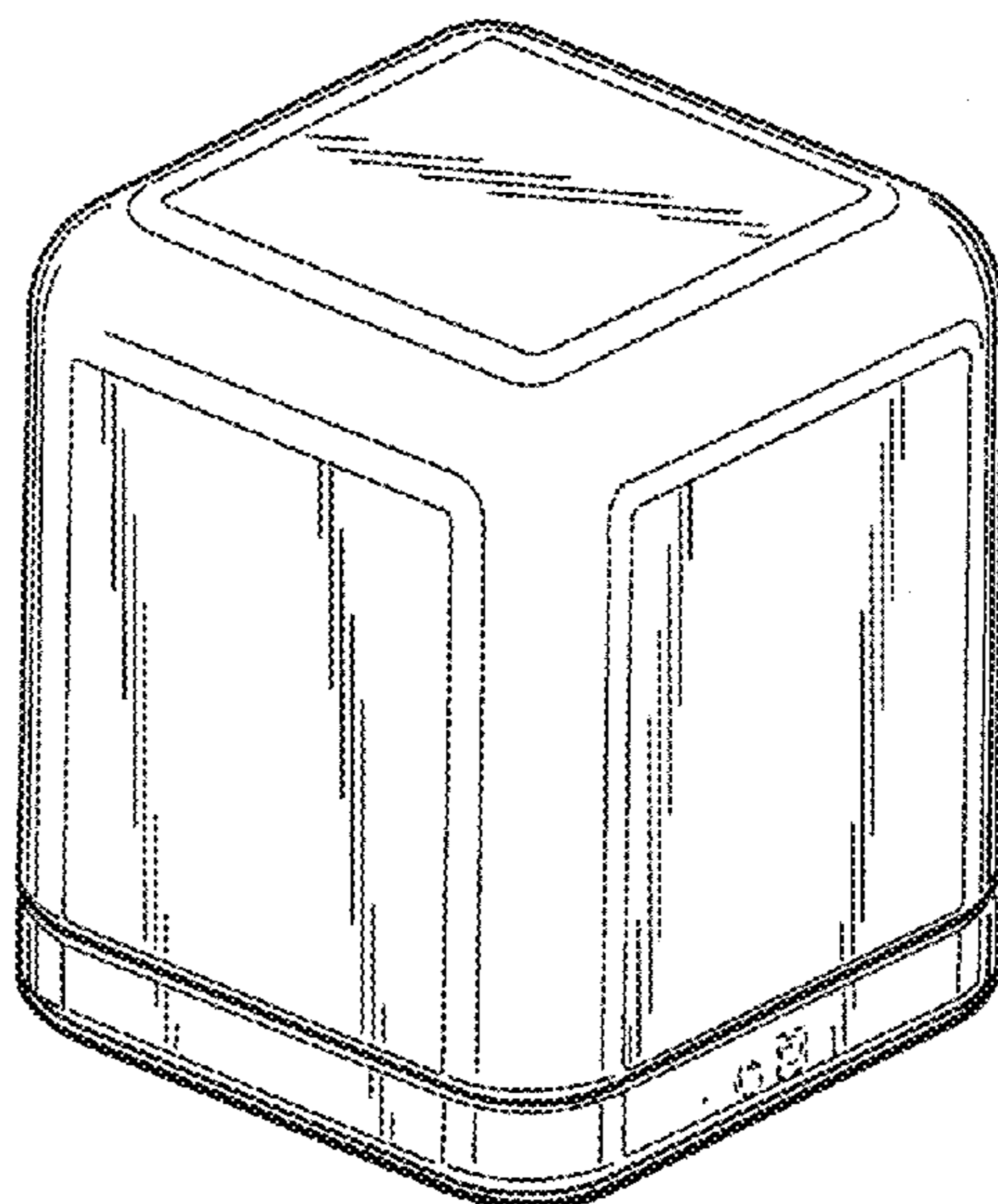
(57) **CLAIM**

The ornamental design for an interactive lighting device, as shown and described.

DESCRIPTION

FIG. 1 is a perspective view of an interactive lighting device, showing my new design;
 FIG. 2 is a top plan view thereof;
 FIG. 3 is a front elevation view thereof;
 FIG. 4 is a right side elevation view, left side elevation view being a mirror image thereof;
 FIG. 5 is a rear elevation view; and,
 FIG. 6 is a bottom plan view.
 The broken lines show portions of the article not claimed and form no part of the claimed design.

1 Claim, 2 Drawing Sheets



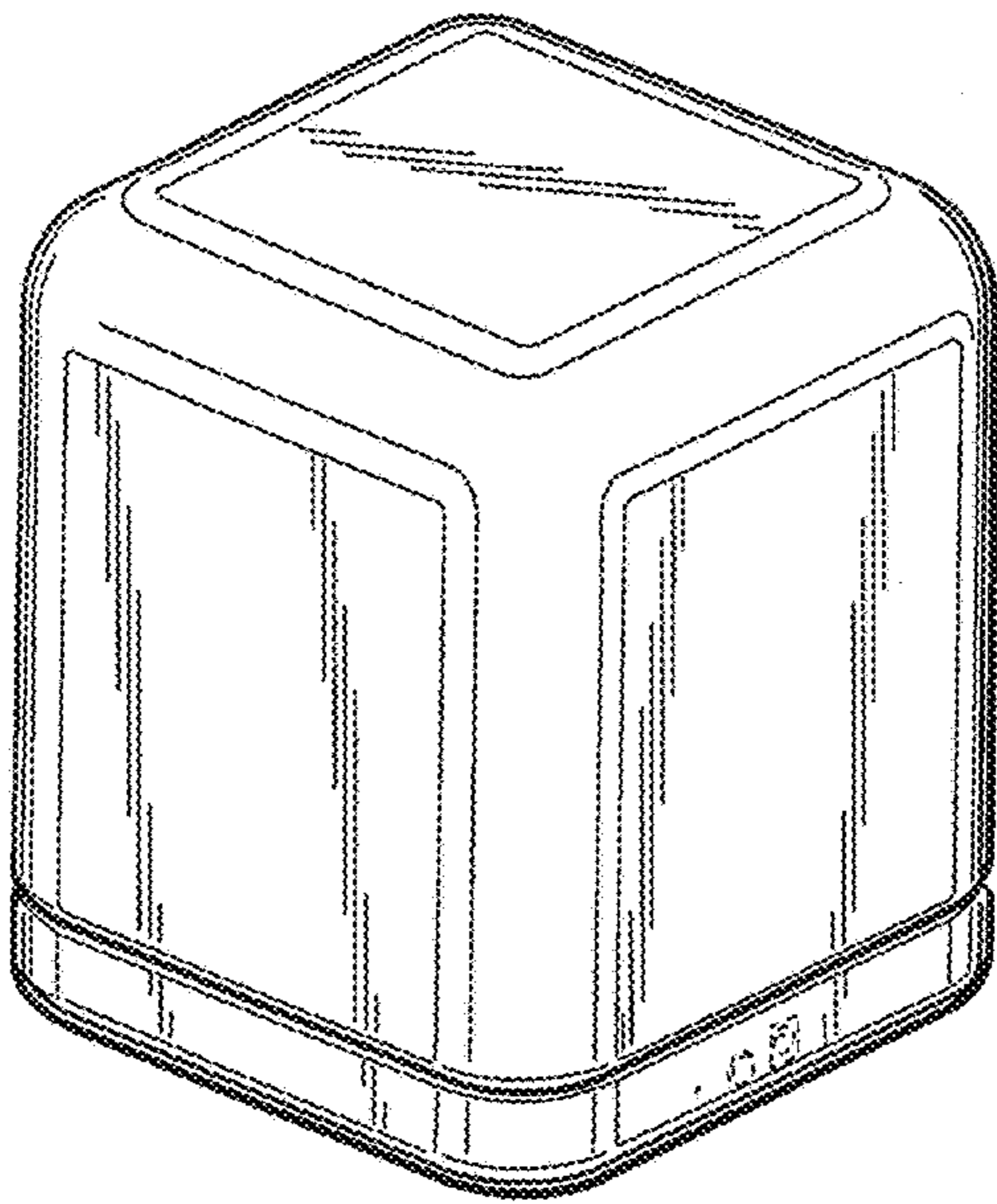


FIG. 1

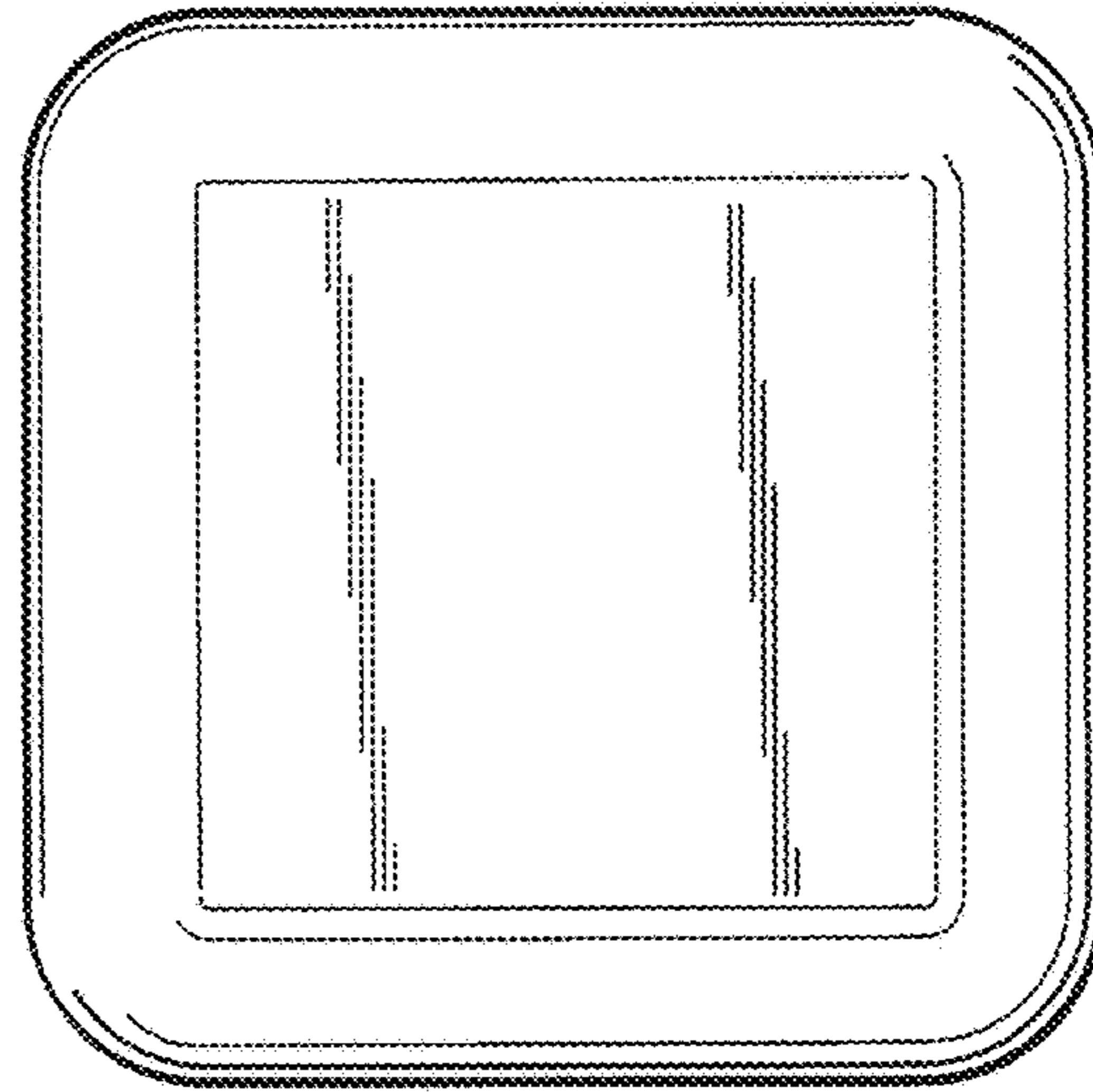


FIG. 2

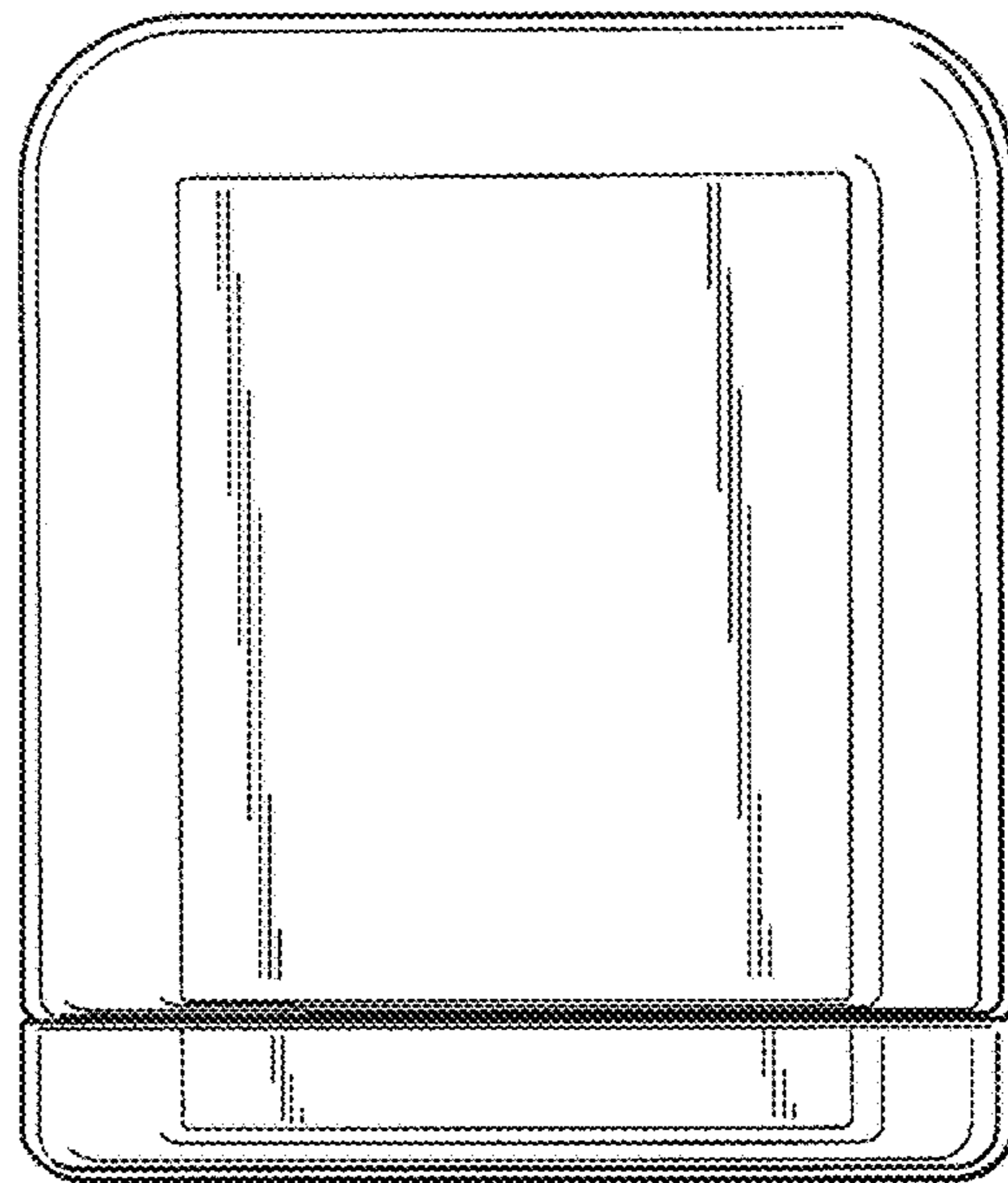


FIG. 3

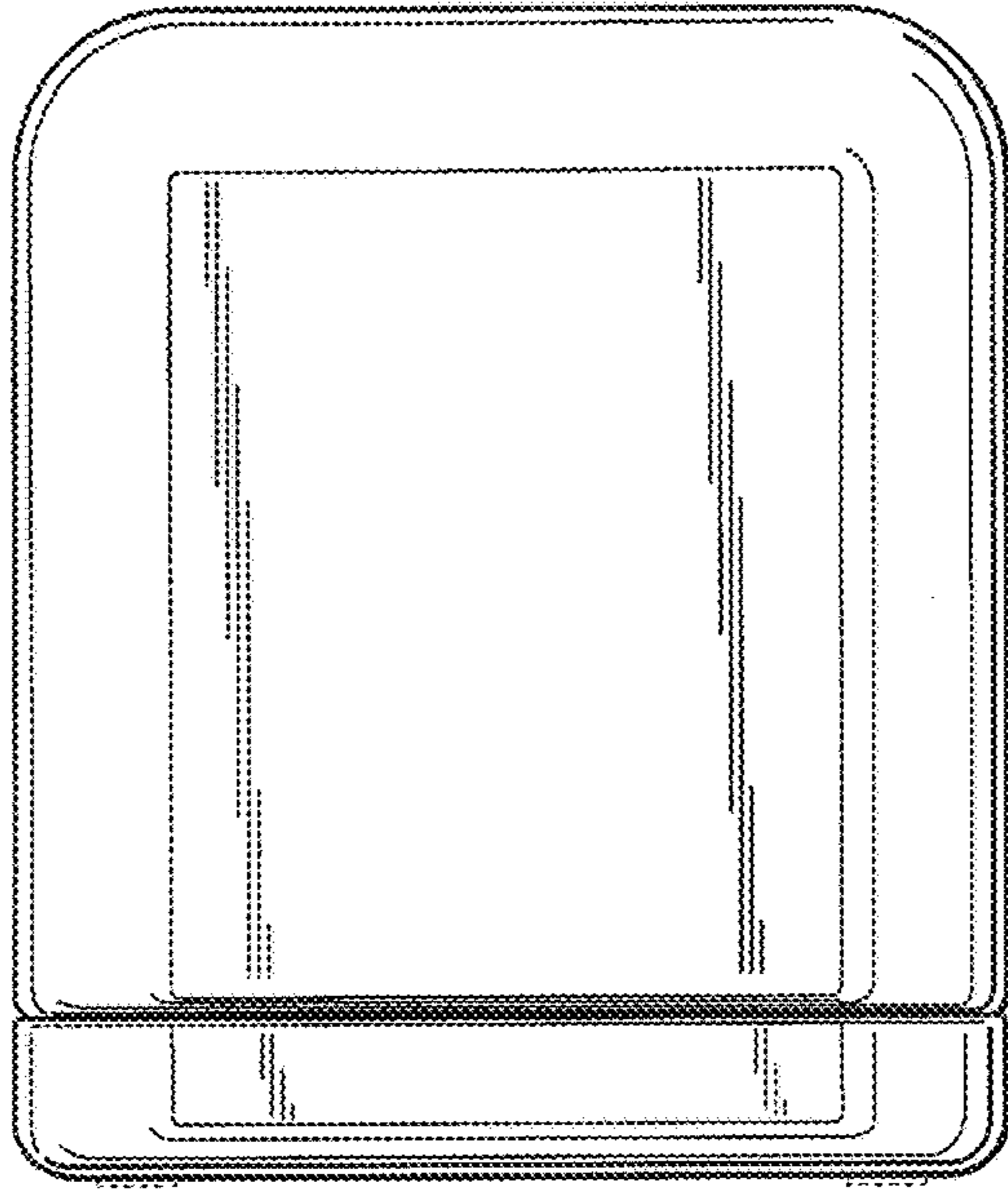


FIG. 4

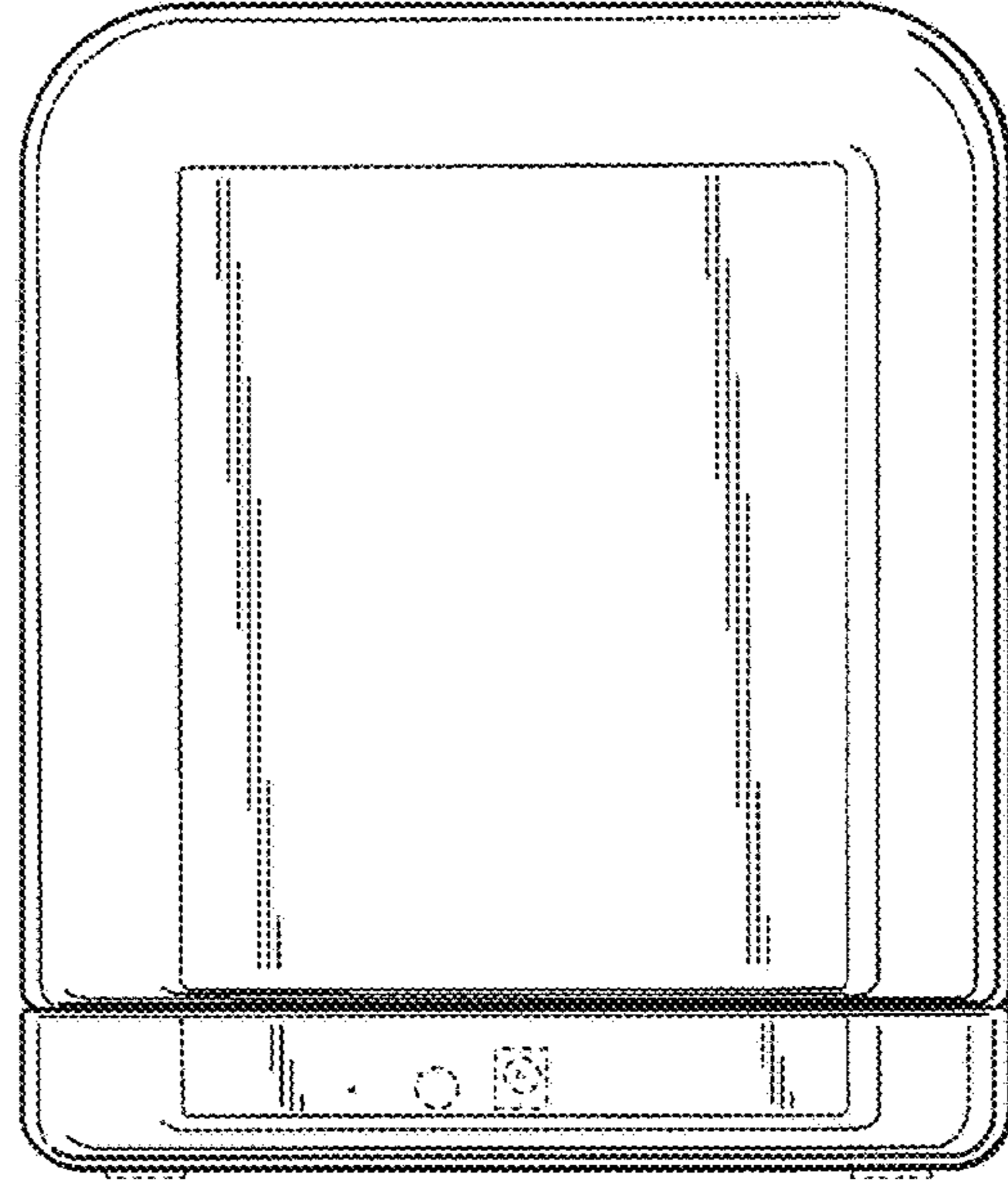


FIG. 5

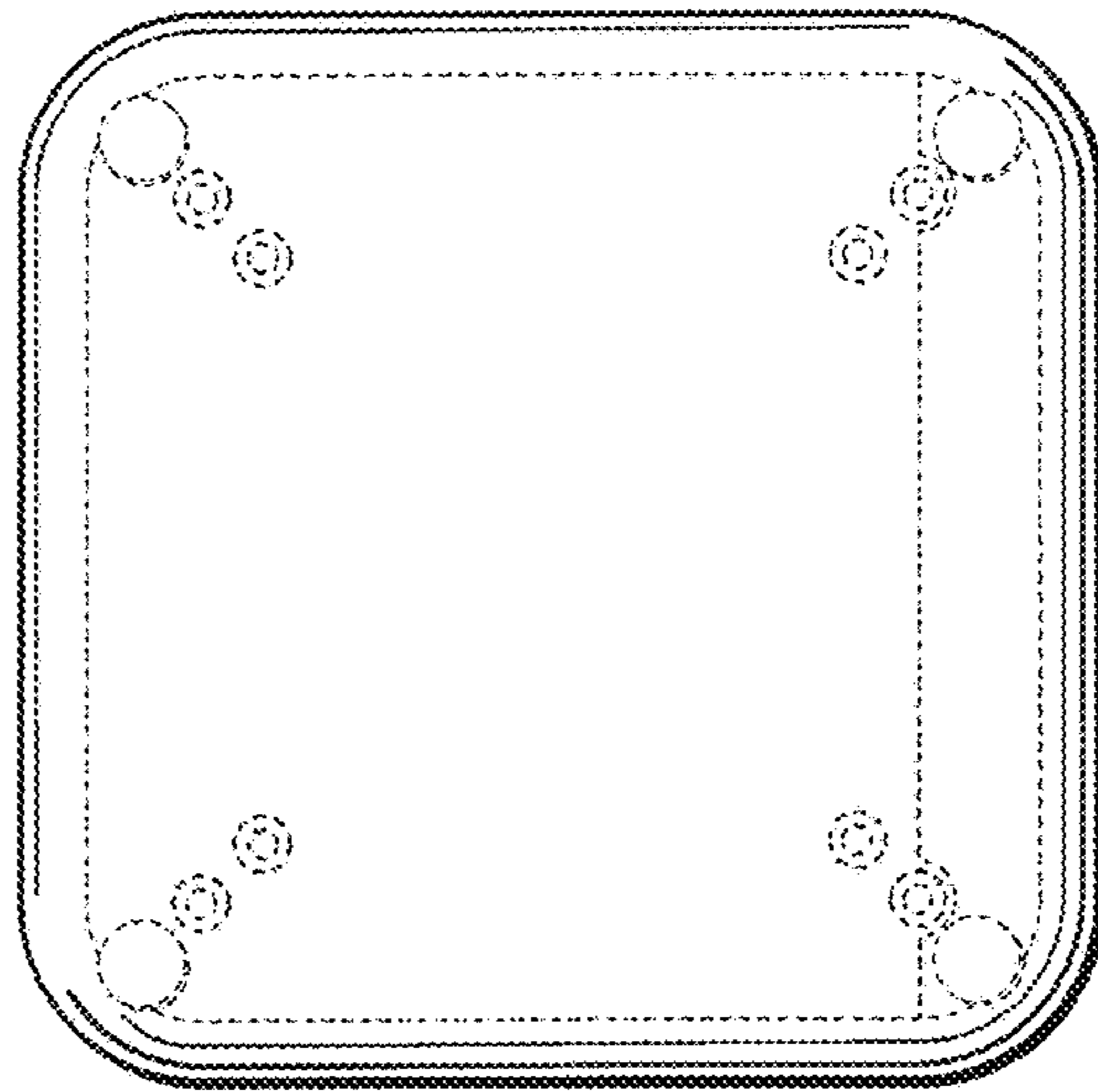


FIG. 6