



US00D820487S

(12) **United States Design Patent**
Lai

(10) **Patent No.:** **US D820,487 S**
(45) **Date of Patent:** **** Jun. 12, 2018**

- (54) **AUTOMOBILE HEADLIGHT**
- (71) Applicant: **Ching-Tsung Lai**, Tainan (TW)
- (72) Inventor: **Ching-Tsung Lai**, Tainan (TW)
- (**) Term: **15 Years**
- (21) Appl. No.: **29/608,112**
- (22) Filed: **Jun. 19, 2017**
- (51) **LOC (11) Cl.** **26-06**
- (52) **U.S. Cl.**
USPC **D26/28**
- (58) **Field of Classification Search**
USPC D26/28-36; 362/80-83, 267-269,
362/459-468, 475-478, 485-487
CPC F21S 48/00; F21S 48/10; F21S 48/115;
F21S 48/225; F21S 48/1233; F21S
48/1266; F21S 48/1388; F21S 48/2268;
F21V 21/04
See application file for complete search history.

- D691,298 S * 10/2013 Binder D26/28
- D743,071 S * 11/2015 Kao D26/28
- D751,737 S * 3/2016 Lai D26/28
- D761,463 S * 7/2016 Lai D26/28

* cited by examiner

Primary Examiner — Marcus Jackson
(74) *Attorney, Agent, or Firm* — Alexander Chen, Esq.;
Agnew International Patent & Trademark Law Firm

(56) **References Cited**
U.S. PATENT DOCUMENTS

- D674,938 S * 1/2013 Lai D26/28
- D674,941 S * 1/2013 Lai D26/28

(57) **CLAIM**

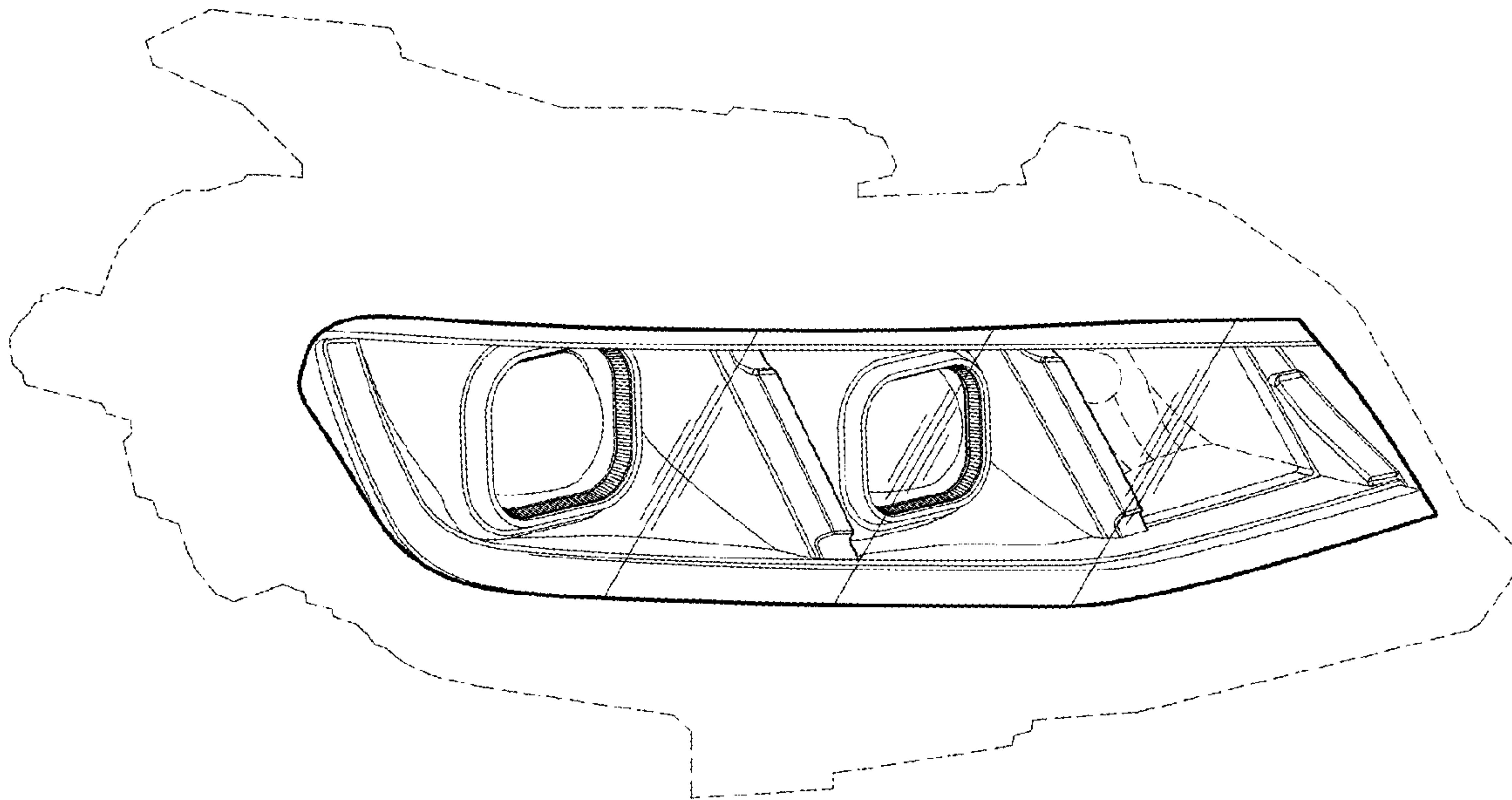
The ornamental design for an automobile headlight, as shown and described.

DESCRIPTION

FIG. 1 is a perspective view of an automobile headlight; FIG. 2 is a front view thereof; FIG. 3 is a left side view thereof; and, FIG. 4 is a top view thereof.

The broken lines are included to show environmental structure and form no part of the claimed design. The drawings and descriptions represent the left side embodiment. The claim is also for a mirror image right side embodiment.

1 Claim, 4 Drawing Sheets



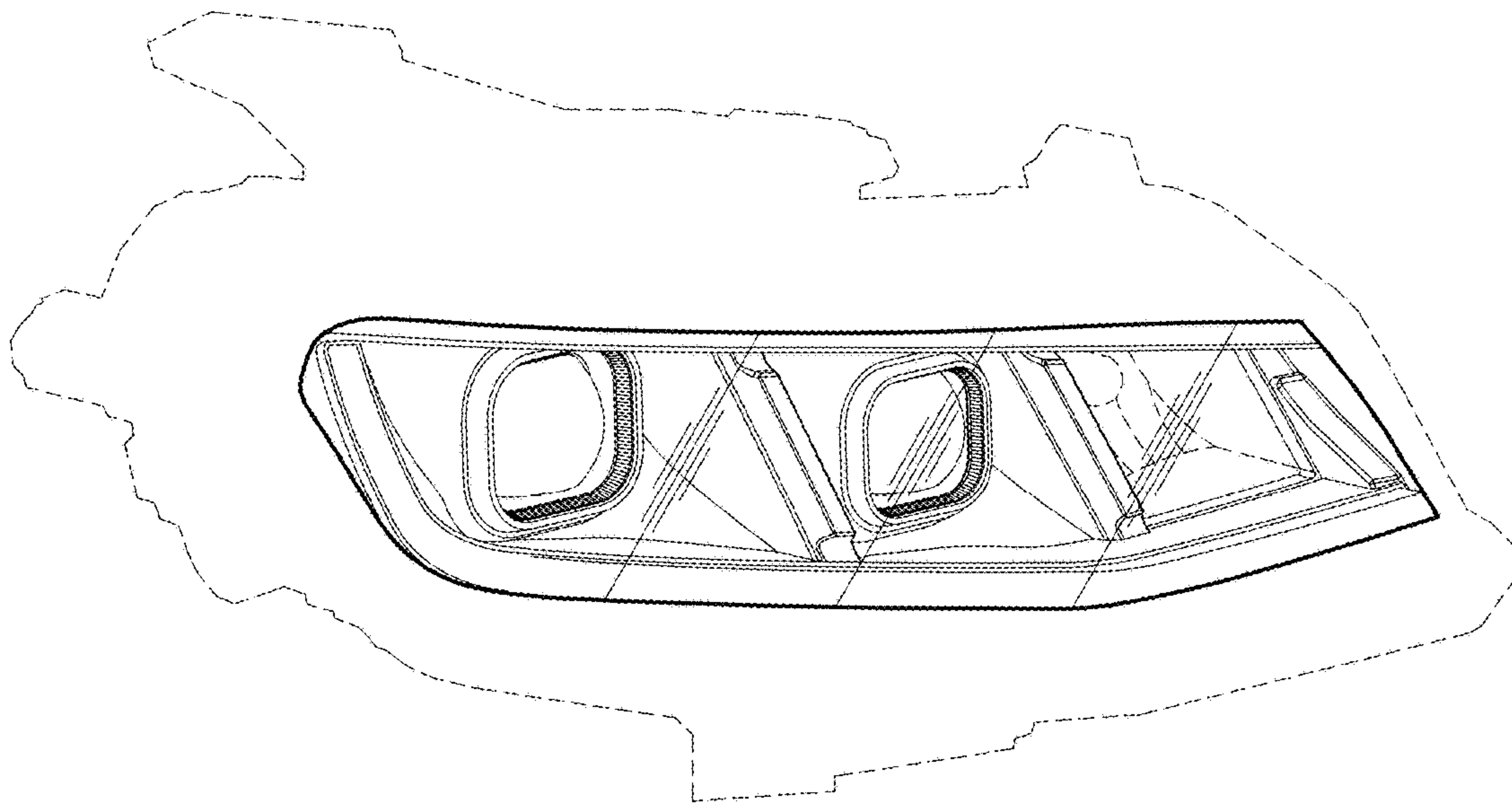


FIG. 1

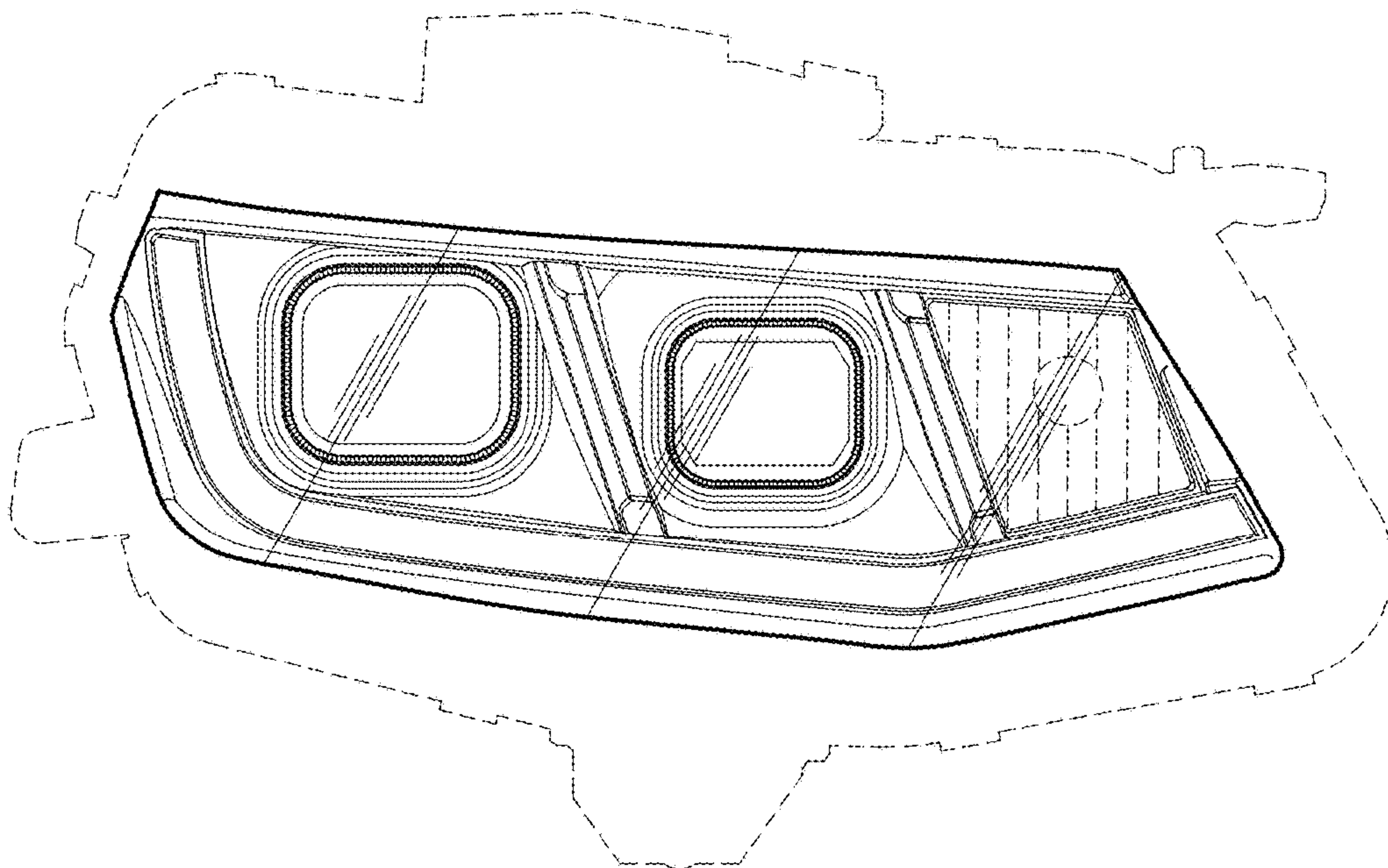


FIG. 2

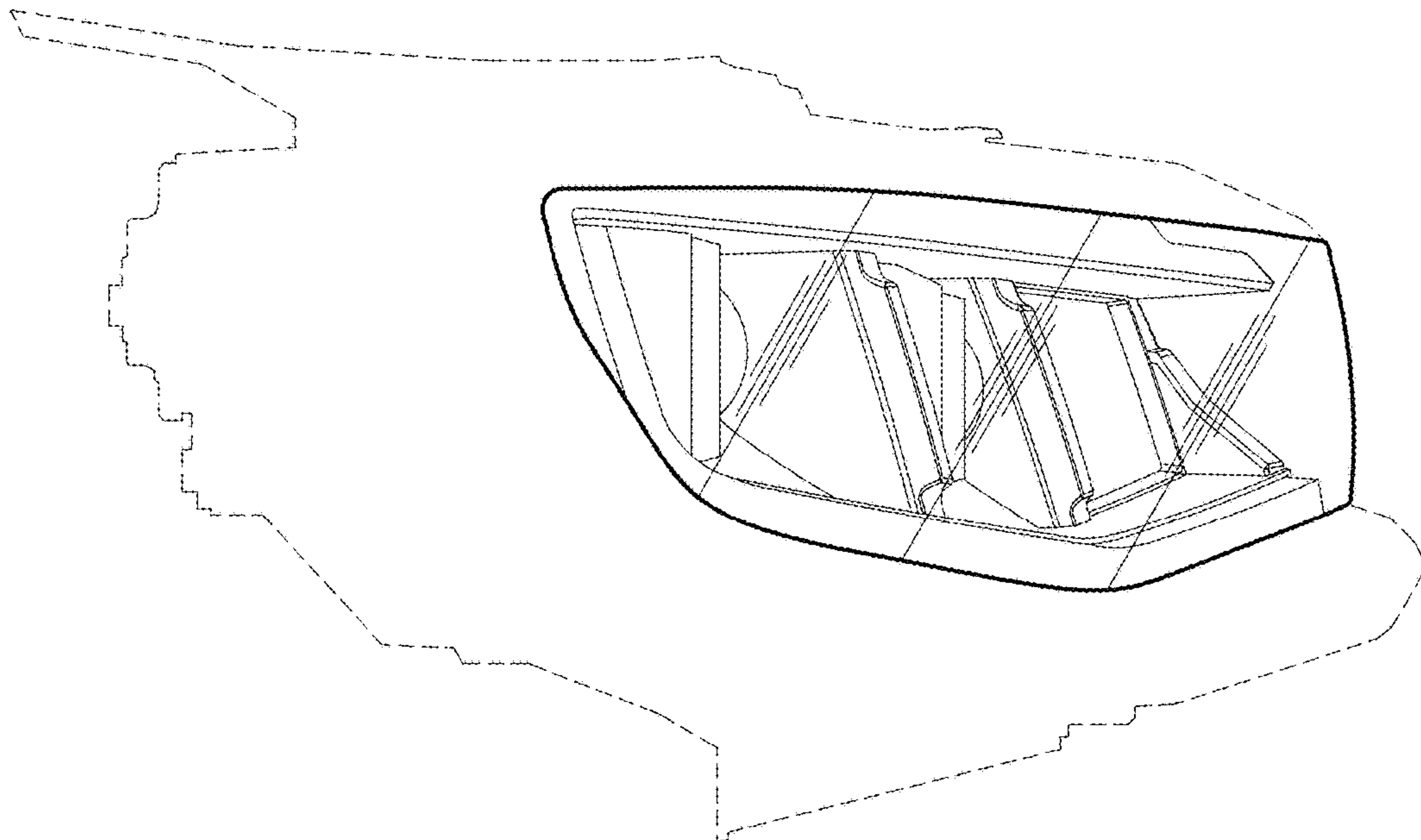


FIG. 3

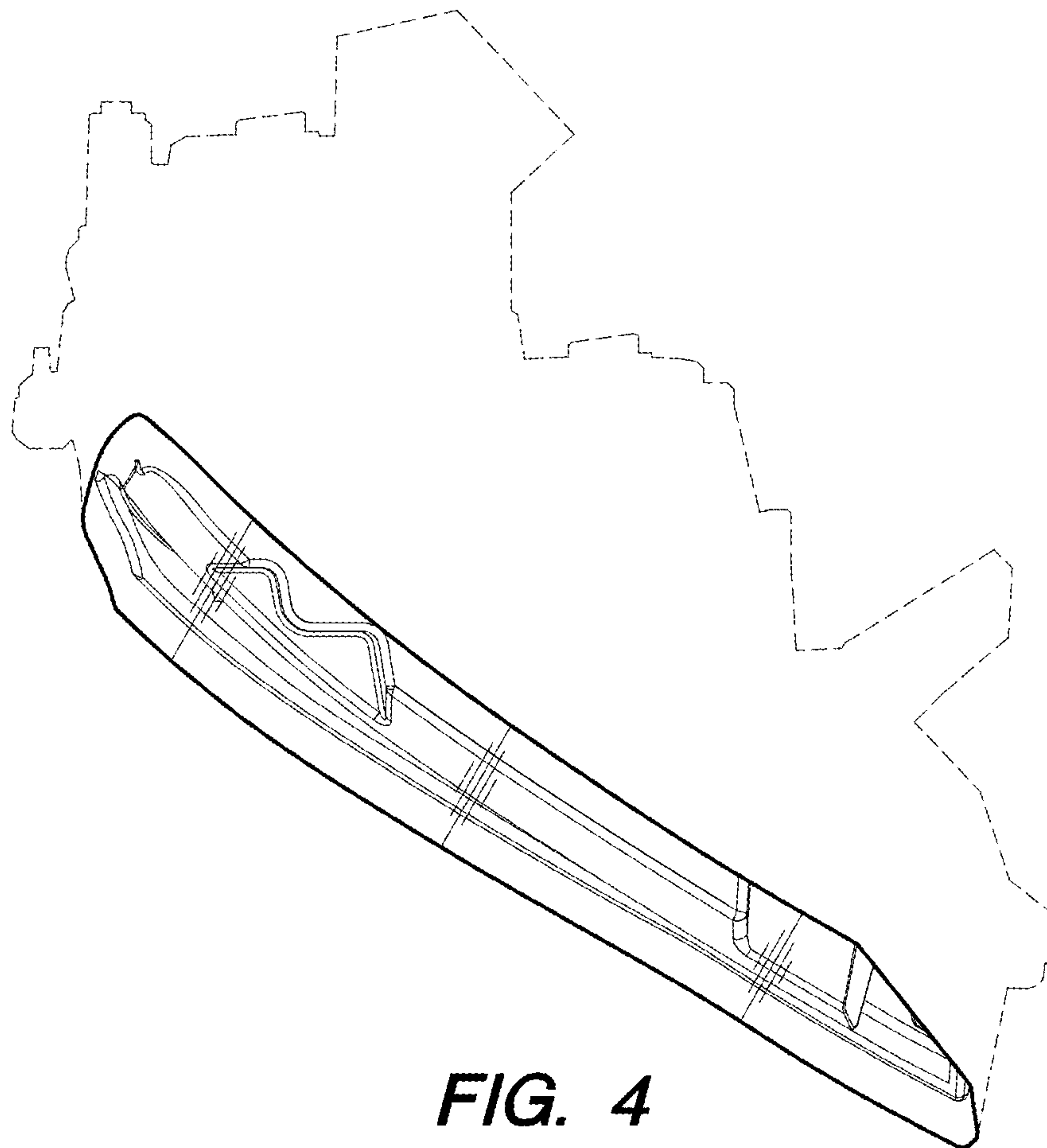


FIG. 4