



US00D820486S

(12) **United States Design Patent**
Shen et al.

(10) **Patent No.:** **US D820,486 S**
(45) **Date of Patent:** **** Jun. 12, 2018**

(54) **LED VEHICLE LIGHT**

(71) Applicant: **Optronics International, LLC**, Tulsa, OK (US)

(72) Inventors: **Chih-Pin Shen**, Tainan (TW);
Min-Shiuan Yang, Tainan (TW)

(73) Assignee: **Optronics International, LLC**, Tulsa, OK (US)

(**) Term: **15 Years**

(21) Appl. No.: **29/603,349**

(22) Filed: **May 9, 2017**

(51) **LOC (11) Cl.** **26-06**

(52) **U.S. Cl.**
USPC **D26/28**

(58) **Field of Classification Search**
USPC D26/28-36; 362/80-83, 267-269,
362/459-468, 475-478, 485-487
CPC B60Q 9/13; B60Q 9/135; B60Q 9/1375;
F21S 48/00; F21S 48/10; F21S 48/115;
F21S 48/225; F21S 48/1233; F21S
48/1266; F21S 48/1388; F21S 48/2268;
F21V 21/04

See application file for complete search history.

(56) **References Cited**

U.S. PATENT DOCUMENTS

D493,565 S 7/2004 Smith et al.
D505,224 S 5/2005 Smith et al.

D512,790 S * 12/2005 Handsaker D26/28
D549,367 S * 8/2007 Hovind D26/28
D583,490 S * 12/2008 Rogers D26/28
D709,221 S 7/2014 Tsai et al.
D733,946 S 7/2015 Chen
D745,720 S * 12/2015 Chang D26/28

* cited by examiner

Primary Examiner — Marcus Jackson

(74) *Attorney, Agent, or Firm* — Head, Johnson,
Kachigian & Wilkinson, PC

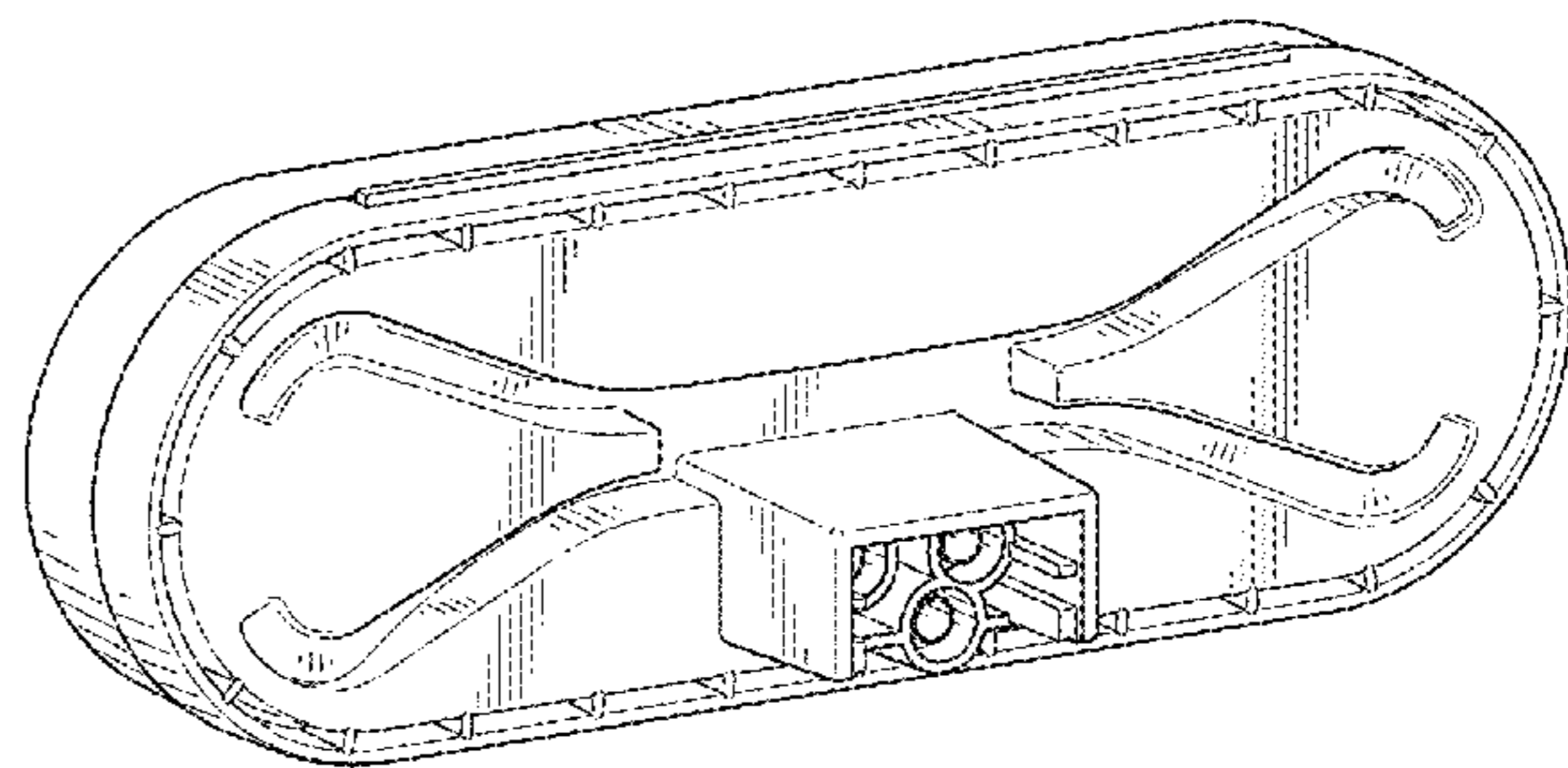
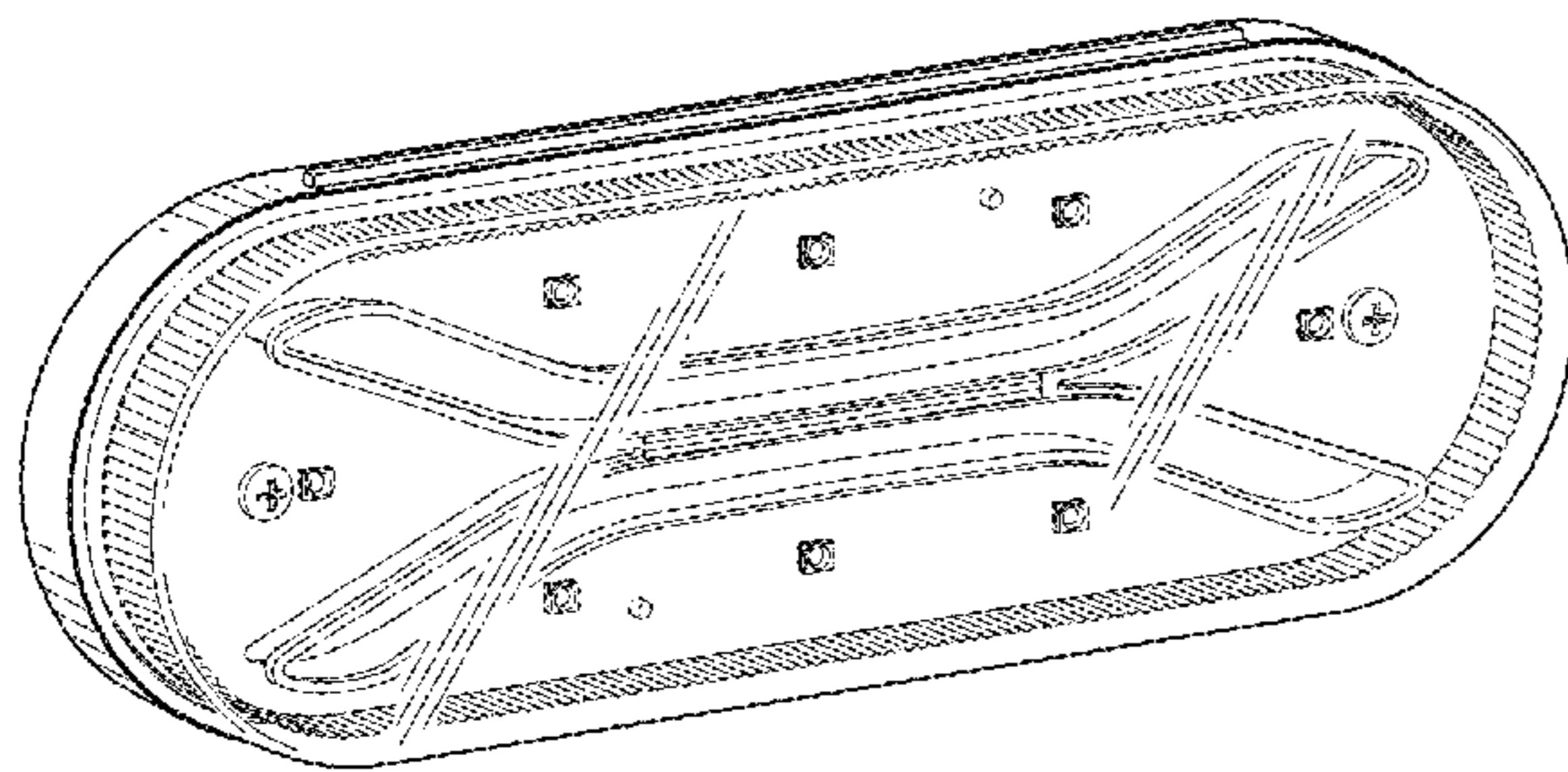
(57) **CLAIM**

The ornamental design for an LED vehicle light, as shown and described.

DESCRIPTION

FIG. 1 is a front perspective view of an LED vehicle light constructed in accordance with the present invention; FIG. 2 is a rear perspective view of the LED vehicle light shown in FIG. 1; FIG. 3 is a front view of the LED vehicle light shown in FIG. 1; FIG. 4 is a rear view thereof; FIG. 5 is a left-side view thereof, the right-side view being a mirror image thereof; FIG. 6 is a top view thereof; and, FIG. 7 is a bottom view thereof.

1 Claim, 3 Drawing Sheets



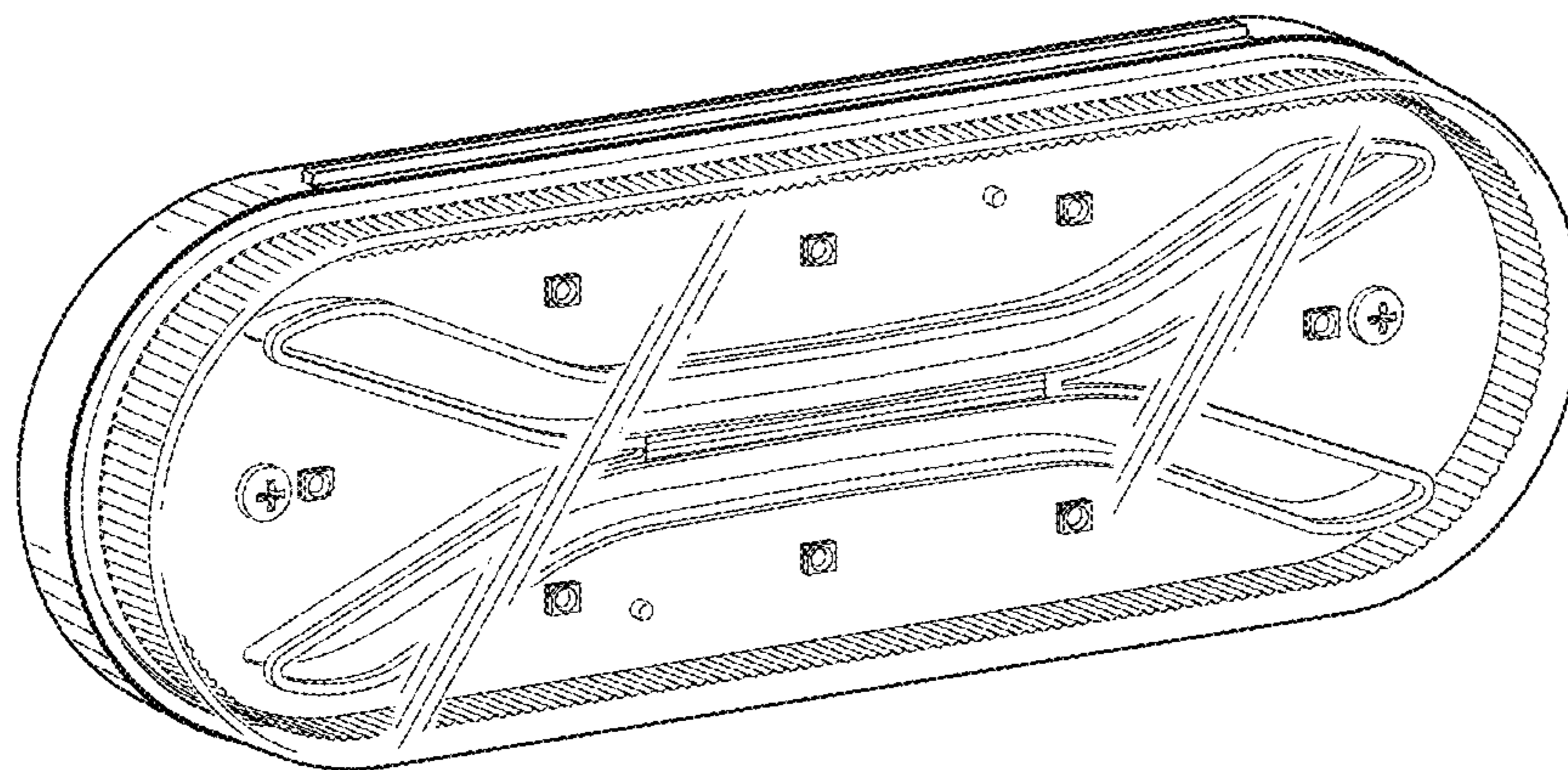


FIG. 1

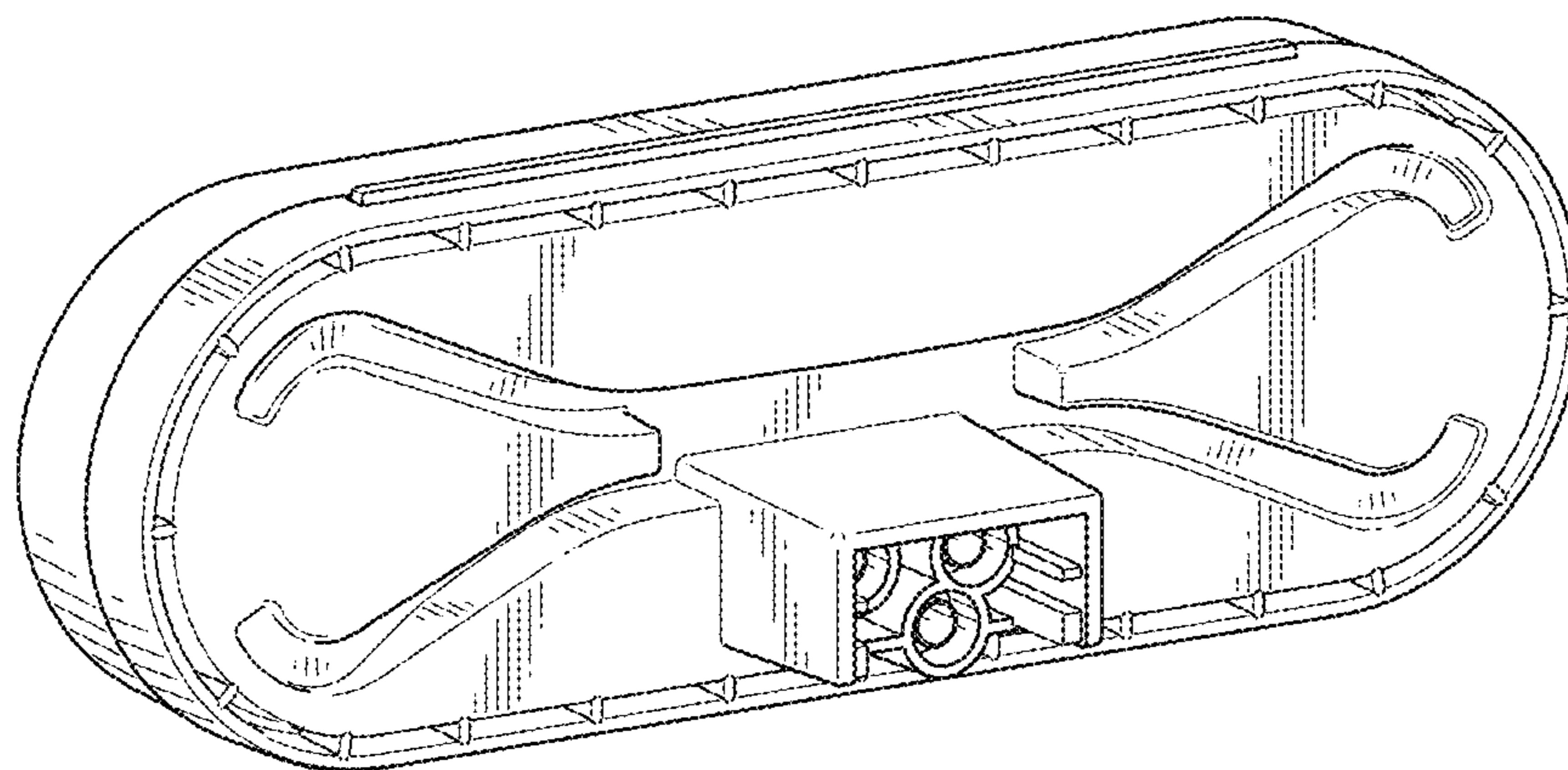


FIG. 2

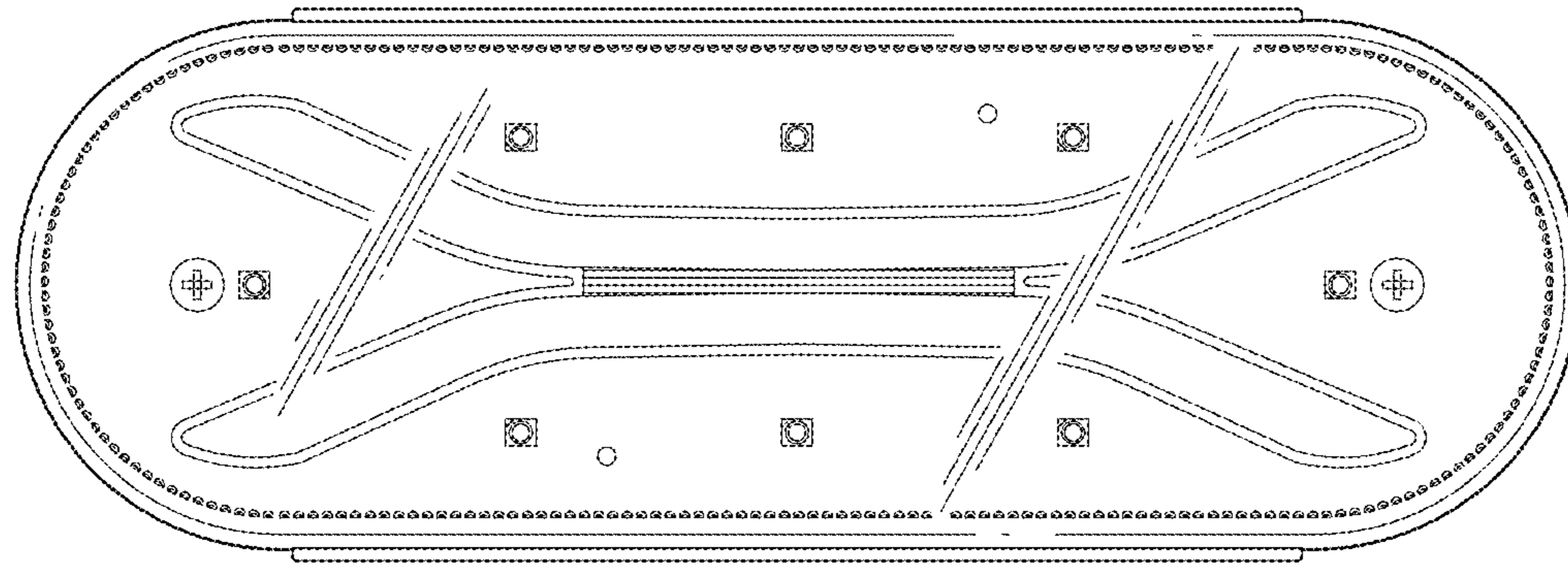


FIG. 3

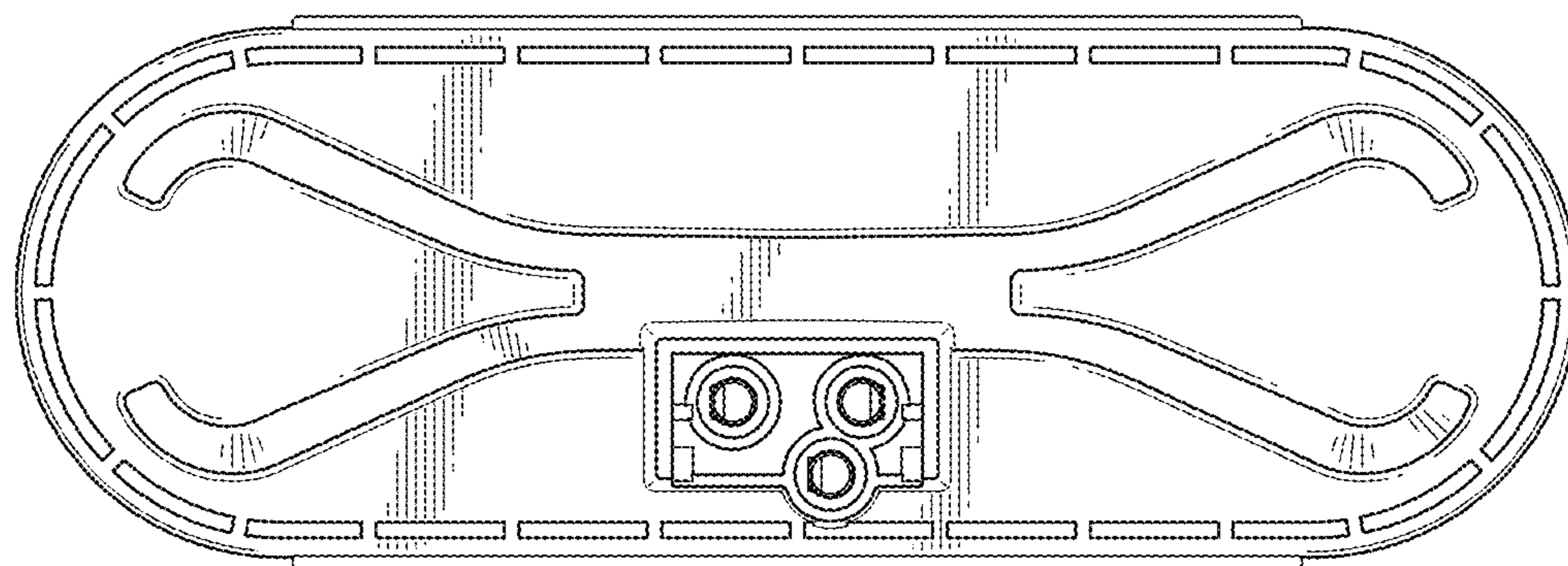


FIG. 4

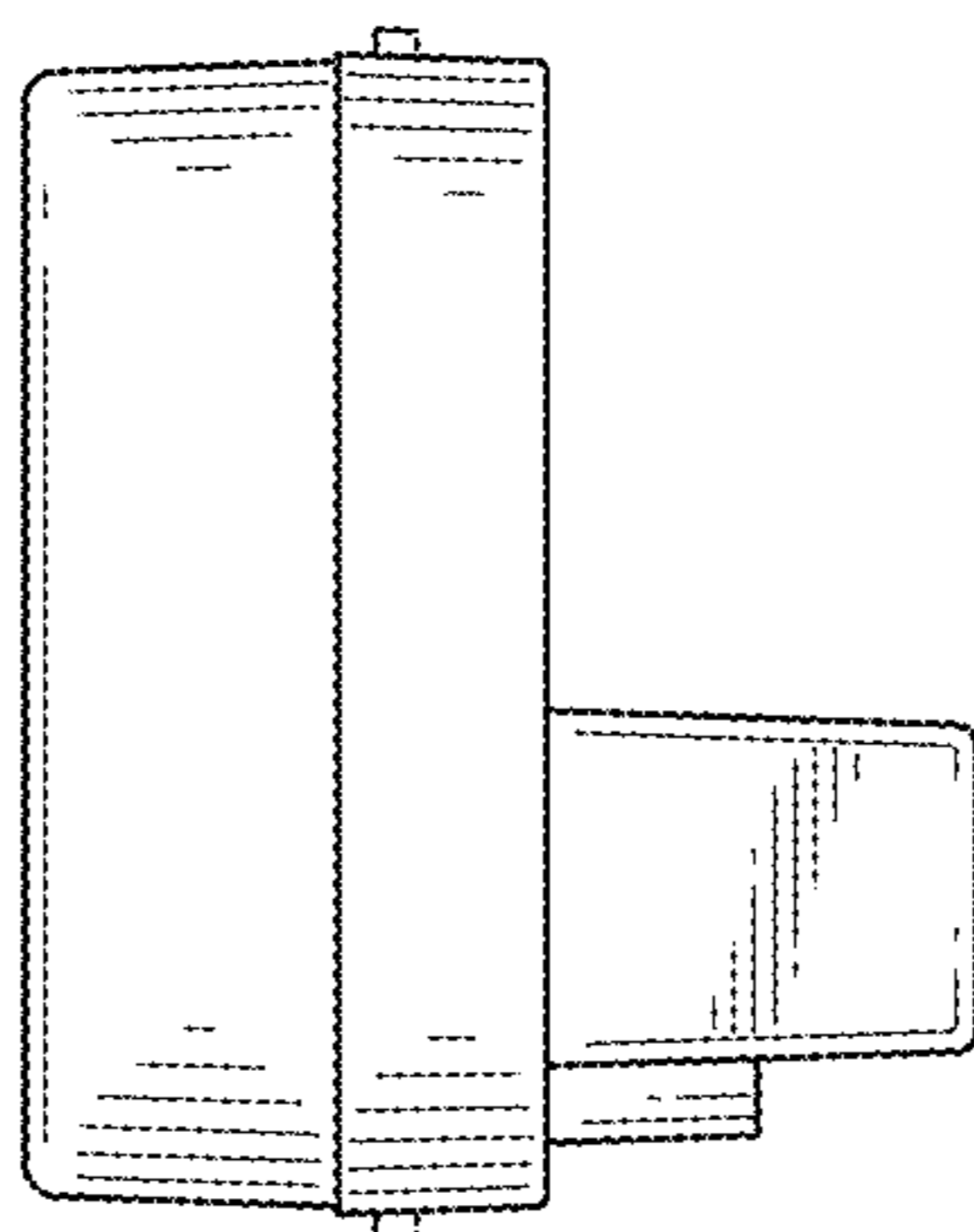


FIG. 5

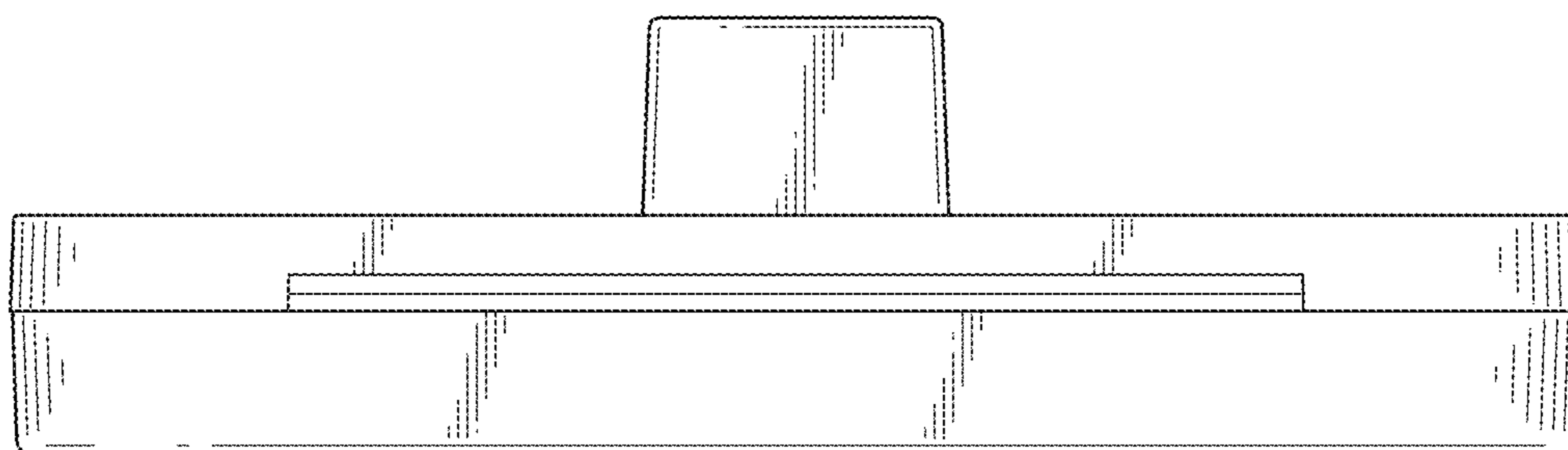


FIG. 6

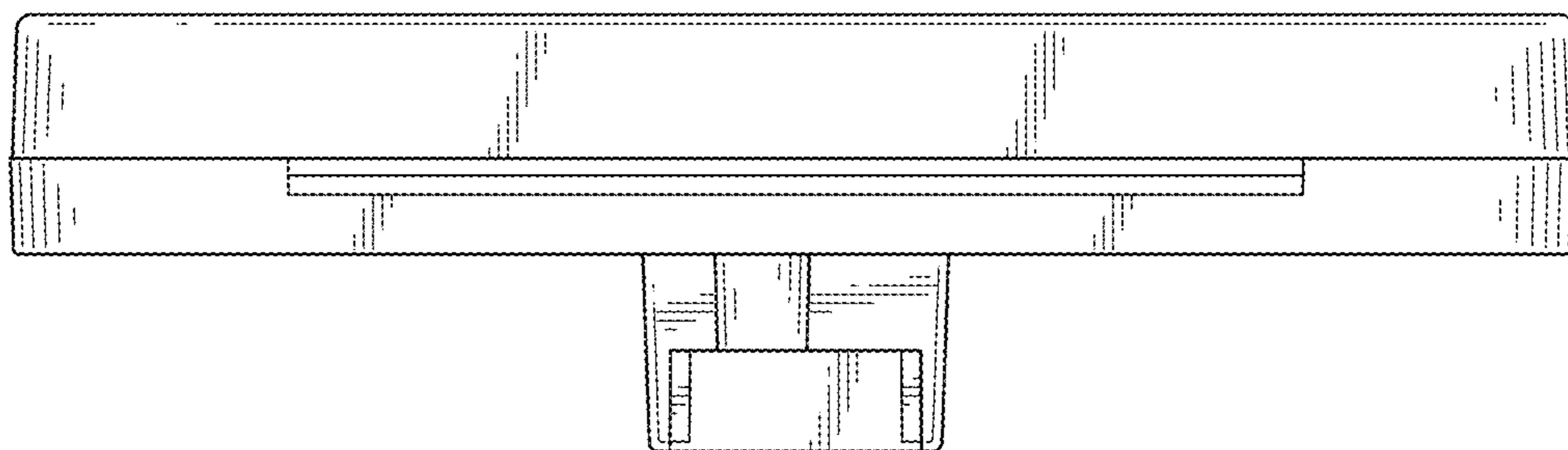


FIG. 7