



US00D820485S

(12) **United States Design Patent**
Yan

(10) **Patent No.:** **US D820,485 S**
(45) **Date of Patent:** **** Jun. 12, 2018**

(54) **LED LIGHT BULB FOR A VEHICLE**

D769,487 S * 10/2016 Ma D26/28
D769,490 S * 10/2016 Ma D26/28
D777,961 S * 1/2017 Wu D26/28

(71) Applicant: **ILIGHT LIMITED**, Hong Kong (HK)

* cited by examiner

(72) Inventor: **Hongjun Yan**, Linshui County (CN)

Primary Examiner — Marcus Jackson

(**) Term: **15 Years**

(74) *Attorney, Agent, or Firm* — Zhihua Han

(21) Appl. No.: **29/601,435**

(22) Filed: **Apr. 21, 2017**

(51) **LOC (11) Cl.** **26-06**

(57) **CLAIM**

(52) **U.S. Cl.**

USPC **D26/28**

The ornamental design for a LED light bulb for a vehicle, as shown and described.

(58) **Field of Classification Search**

USPC D26/28–36; 362/80–83, 267–269,
362/459–468, 475–478, 485–487

CPC F21S 48/00; F21S 48/10; F21S 48/115;

F21S 48/1233; F21S 48/1266; F21S

48/1388; F21S 48/2268; F21S 48/1104;

F21V 29/02; F21V 21/04

See application file for complete search history.

DESCRIPTION

FIG. 1 is a front elevational view of a LED light bulb for a vehicle showing my new design;

FIG. 2 is a rear elevational view thereof;

FIG. 3 is a left side elevational view thereof;

FIG. 4 is a right side elevational view thereof;

FIG. 5 is a top plan view thereof; and,

FIG. 6 is a bottom plan view thereof.

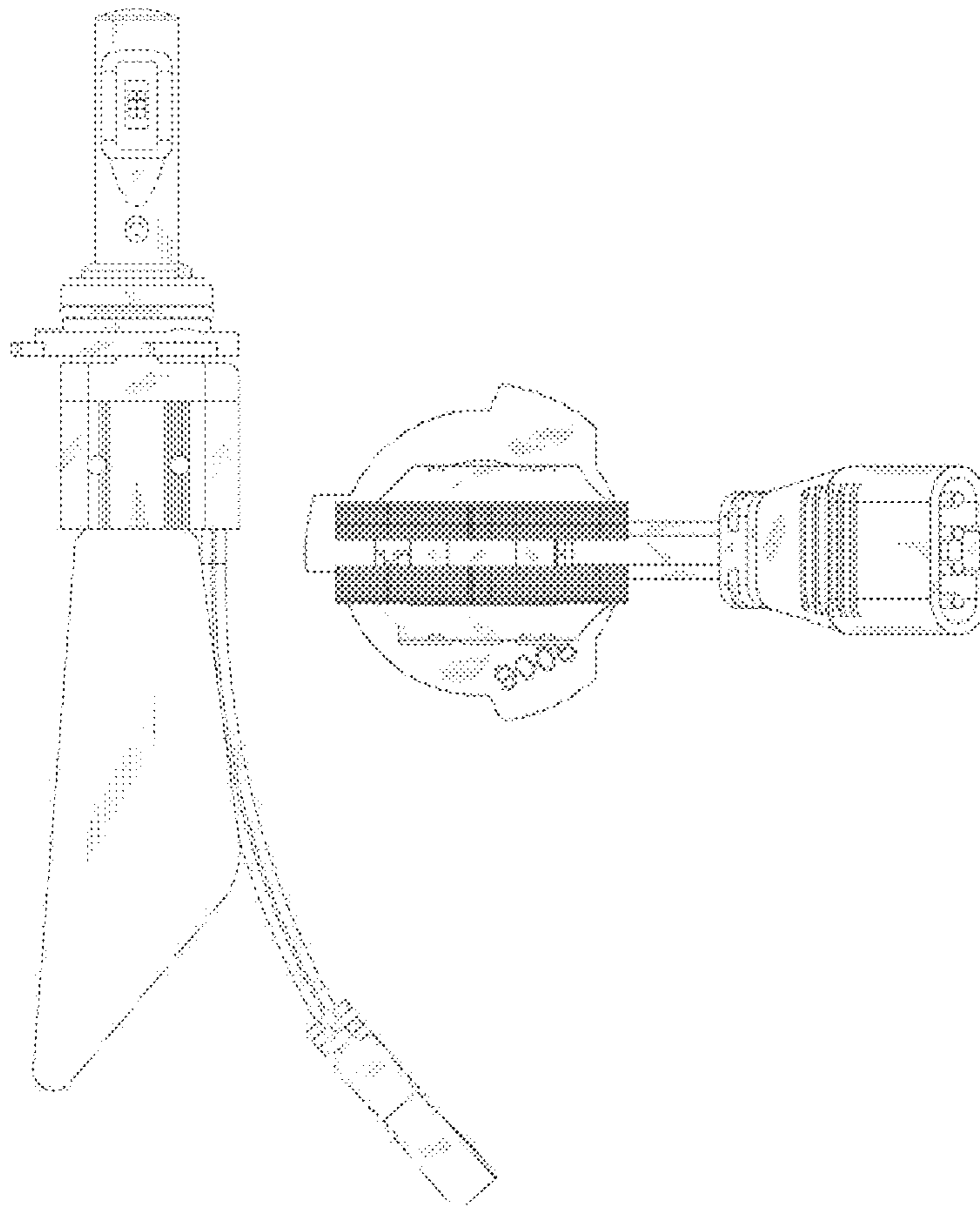
(56) **References Cited**

U.S. PATENT DOCUMENTS

D720,483 S * 12/2014 Saddig D26/28

D740,984 S * 10/2015 Chen D26/28

1 Claim, 5 Drawing Sheets



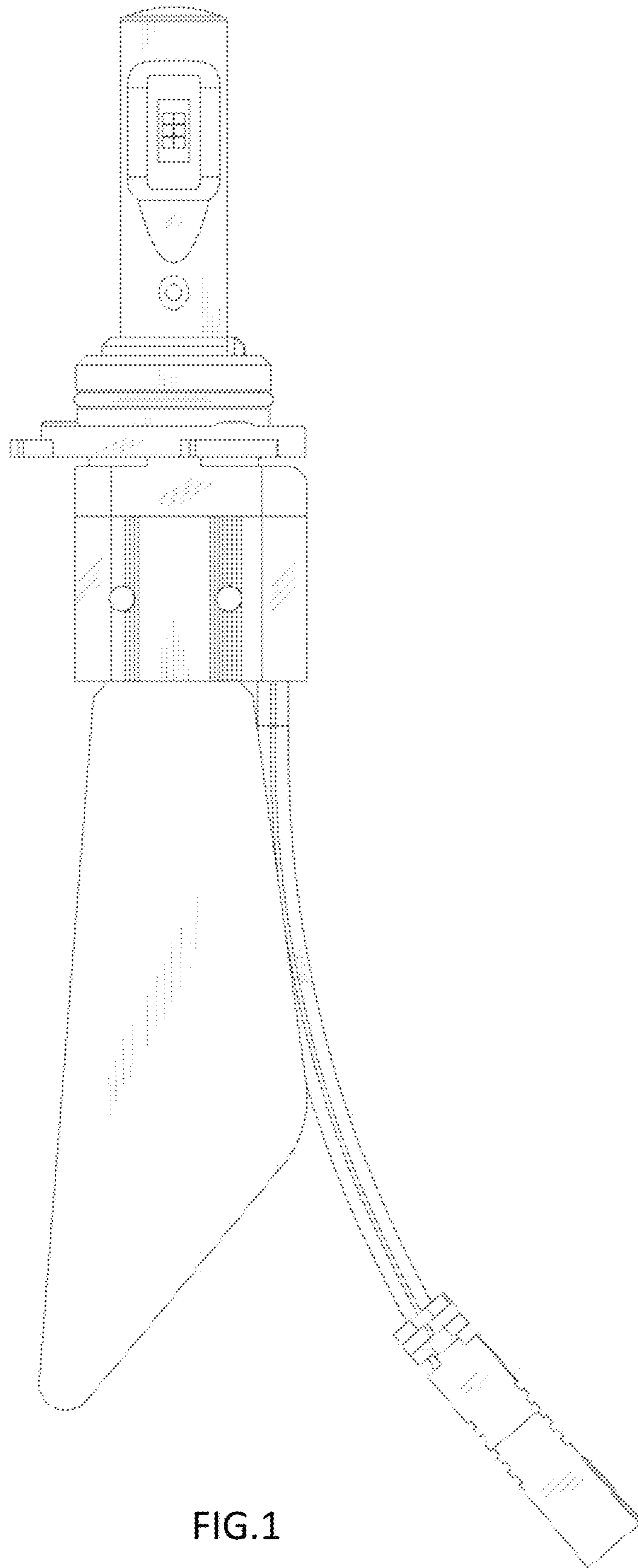


FIG. 1

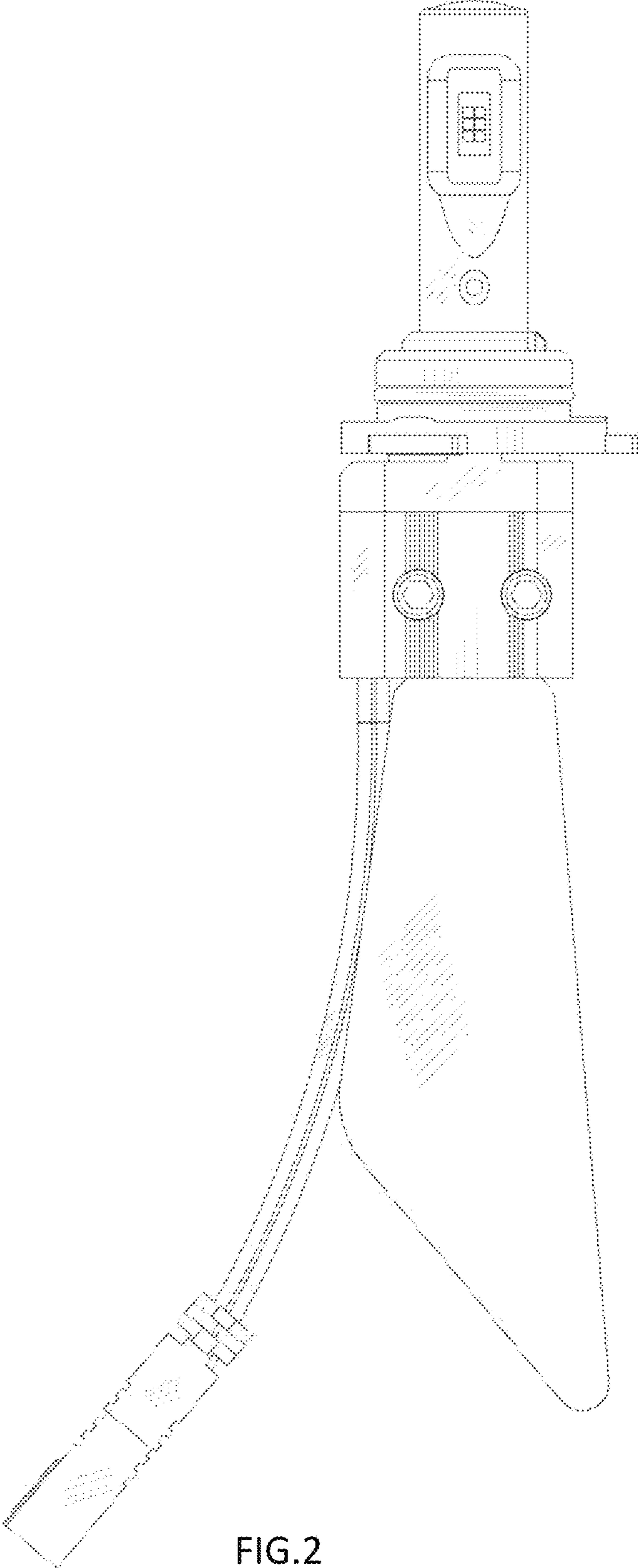


FIG. 2

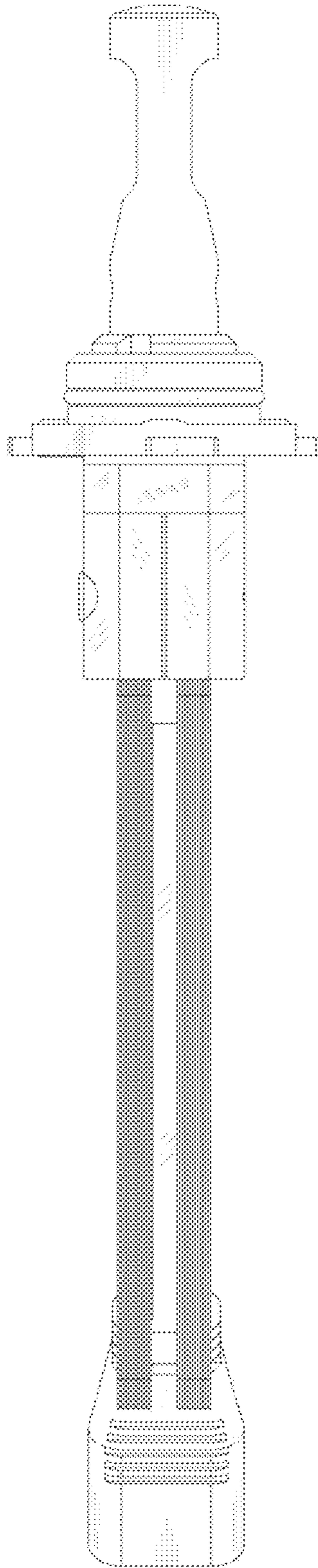


FIG.3

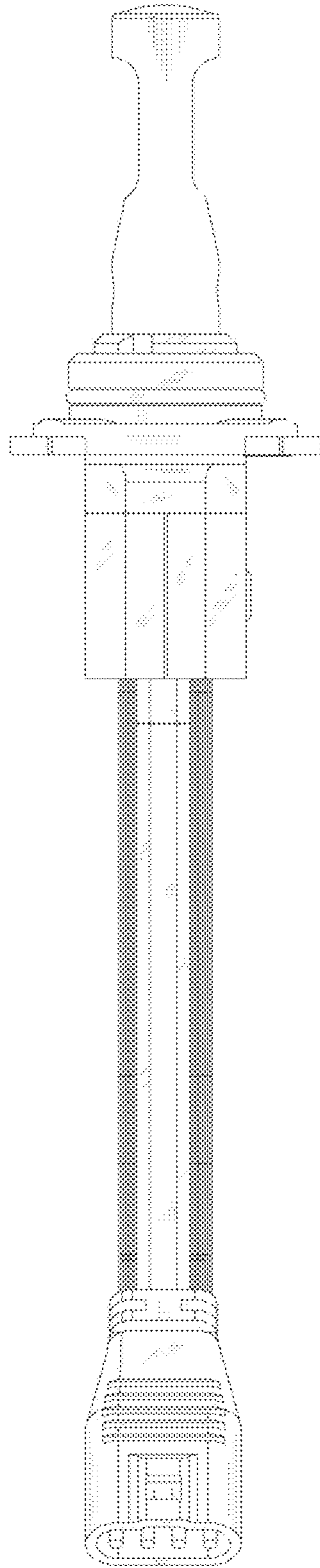


FIG.4

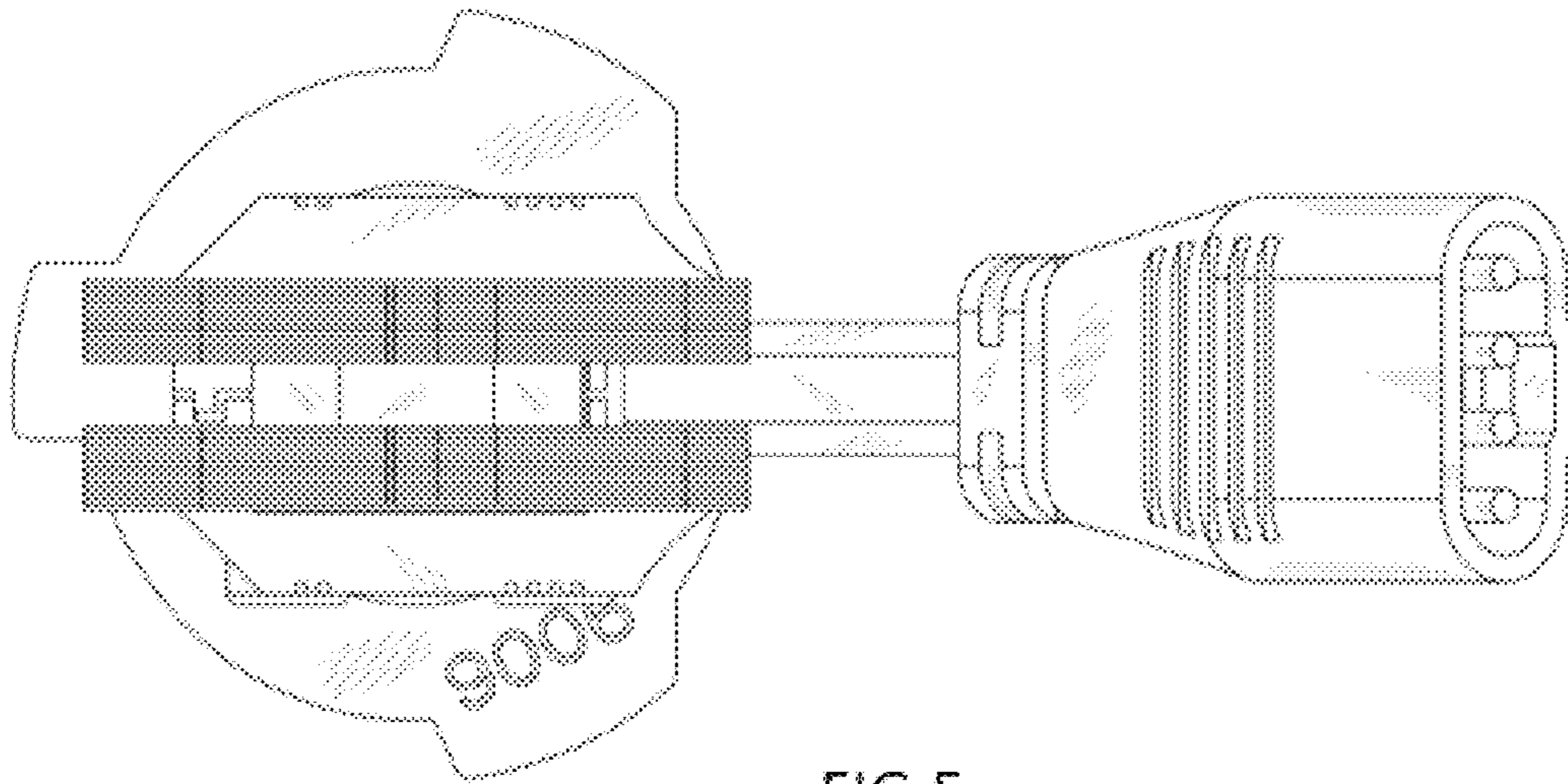


FIG. 5

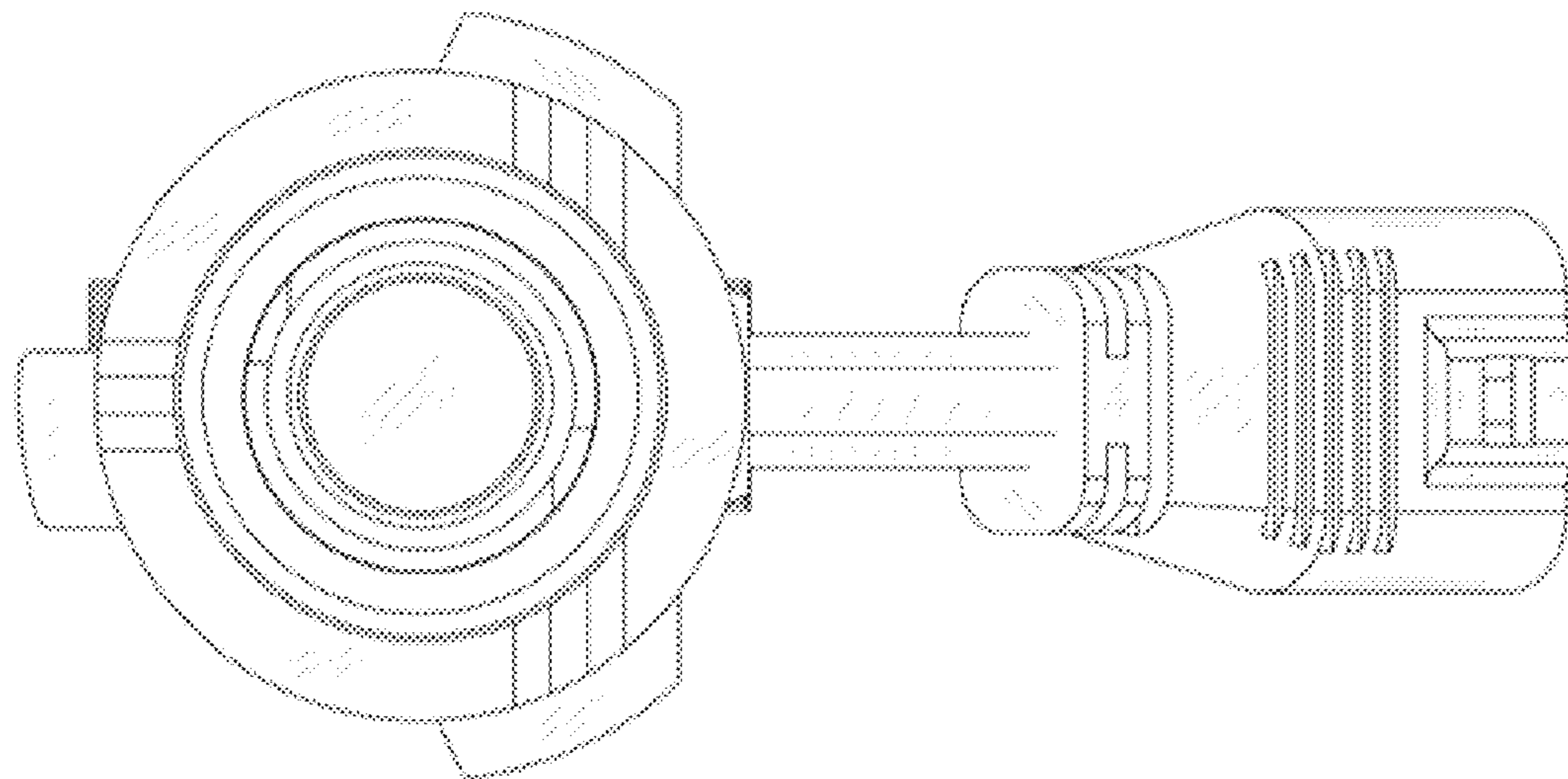


FIG. 6