



US00D820482S

(12) **United States Design Patent**
Huang

(10) **Patent No.:** **US D820,482 S**
(45) **Date of Patent:** **** Jun. 12, 2018**

(54) **VEHICLE LAMP**

(71) Applicant: **Sirius Light Technology Co., LTD.**,
Tainan (TW)

(72) Inventor: **Cheng-Nan Huang**, Tainan (TW)

(73) Assignee: **SIRIUS LIGHT TECHNOLOGY**
CO., LTD., Tainan (TW)

(**) Term: **15 Years**

(21) Appl. No.: **29/597,976**

(22) Filed: **Mar. 22, 2017**

(30) **Foreign Application Priority Data**

Feb. 7, 2017 (TW) 106300580

(51) **LOC (11) Cl.** **26-07**

(52) **U.S. Cl.**
USPC **D26/28**

(58) **Field of Classification Search**

USPC D26/28-36; 362/459-468, 475-478,
362/485-487

CPC F21S 48/00; F21S 48/10; F21S 48/115;
F21S 48/225; F21S 48/1233; F21S
48/1266; F21S 48/1388; F21S 48/2268;
F21V 21/04

See application file for complete search history.

(56) **References Cited**

U.S. PATENT DOCUMENTS

D590,527 S * 4/2009 Pfeiffer D26/28
D605,792 S * 12/2009 Weil D26/28

D742,046 S * 10/2015 Hwang D26/28
D755,421 S * 5/2016 Alemany D26/28
D767,181 S * 9/2016 Lai D26/28
D787,719 S * 5/2017 Lai D26/28
D787,720 S * 5/2017 Lai D26/28
D787,721 S * 5/2017 Lai D26/28
D794,852 S * 8/2017 Hwang D26/28
D795,475 S * 8/2017 Yang D26/28
D796,092 S * 8/2017 Ito D26/28
D796,709 S * 9/2017 Lai D26/28
D797,324 S * 9/2017 Lai D26/28

* cited by examiner

Primary Examiner — Angela J Lee

(74) *Attorney, Agent, or Firm* — LeClairRyan

(57) **CLAIM**

The ornamental design for a vehicle lamp, as shown and described.

DESCRIPTION

FIG. 1 is a perspective view of a vehicle lamp showing my new design;

FIG. 2 is a front elevational view thereof;

FIG. 3 is a rear elevational view thereof;

FIG. 4 is a left side elevational view thereof;

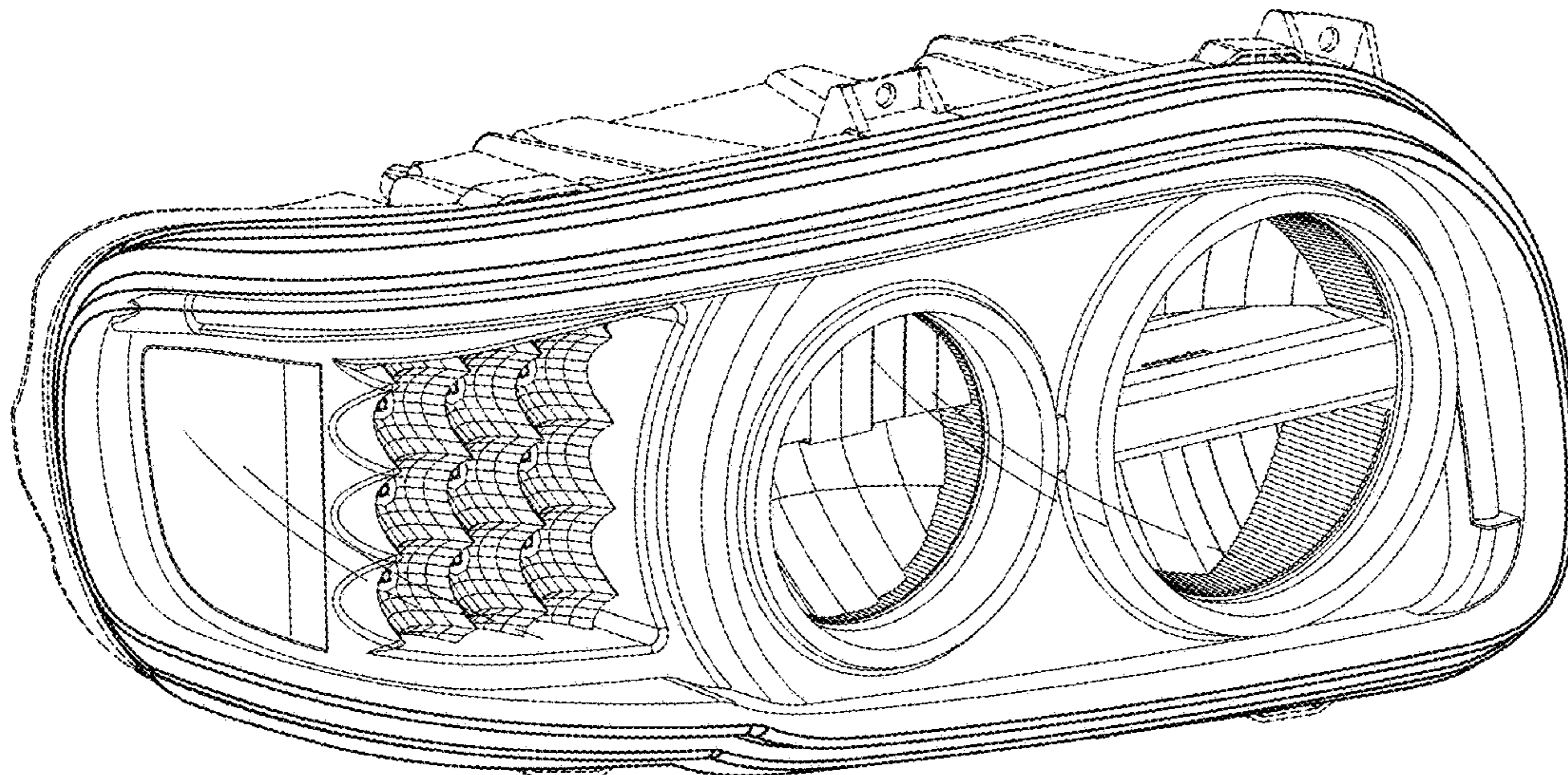
FIG. 5 is a right side elevational view thereof;

FIG. 6 is a top plan view thereof; and,

FIG. 7 is a bottom plan view thereof.

The broken lines depict portions of a vehicle lamp in which the design is embodied that form no part of the claimed design.

1 Claim, 6 Drawing Sheets



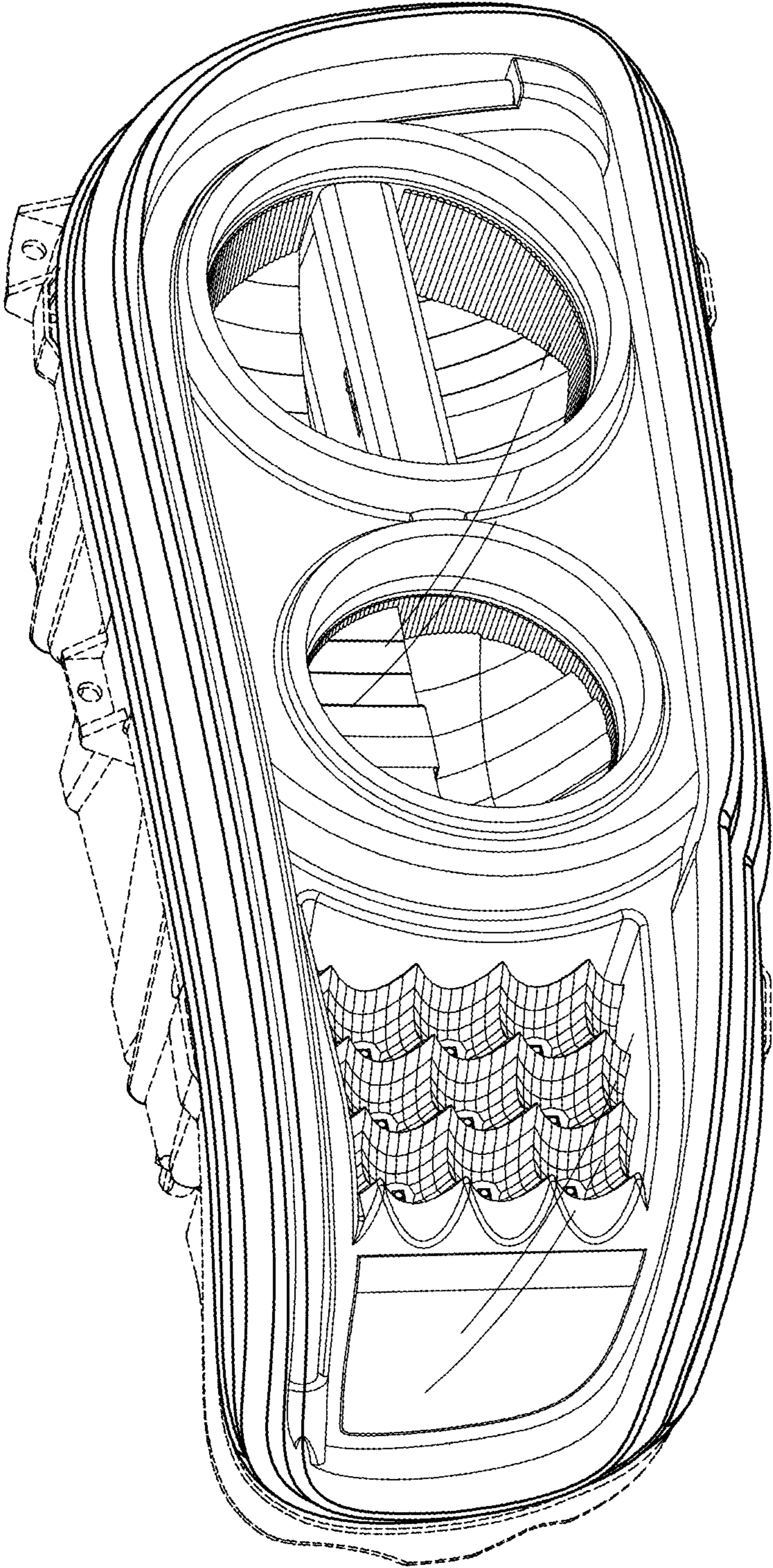


FIG. 1

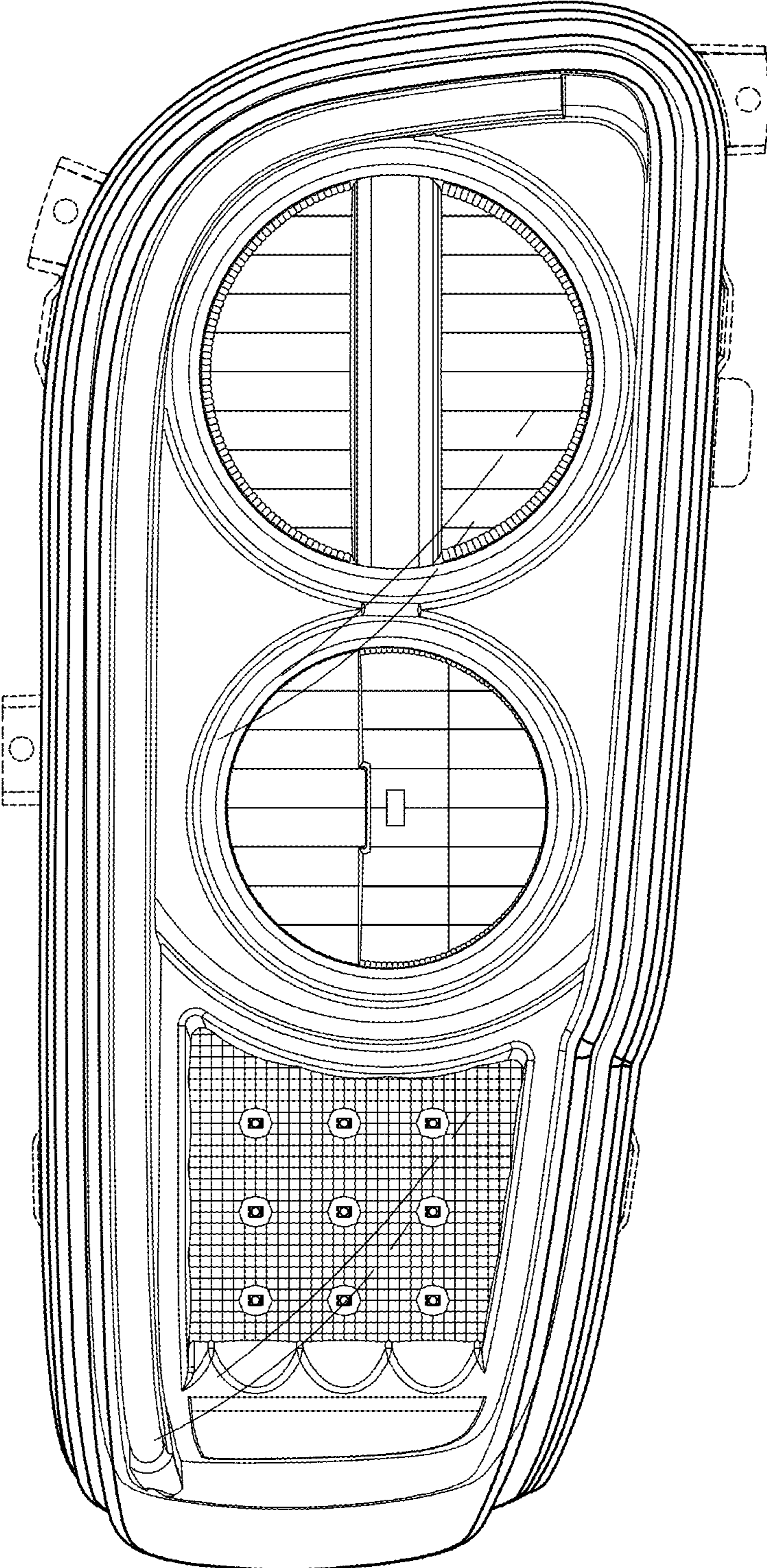


FIG.2

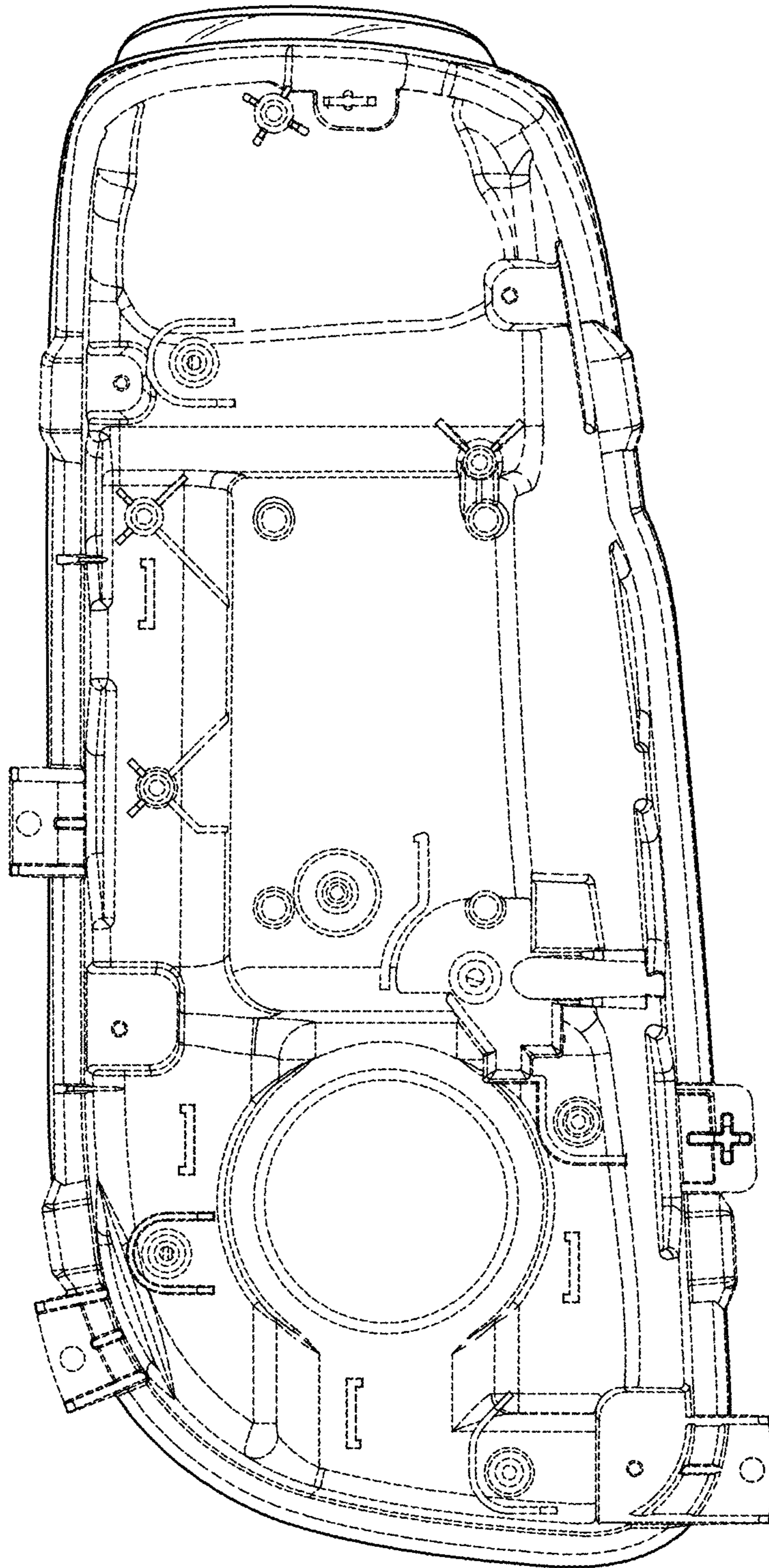


FIG.3

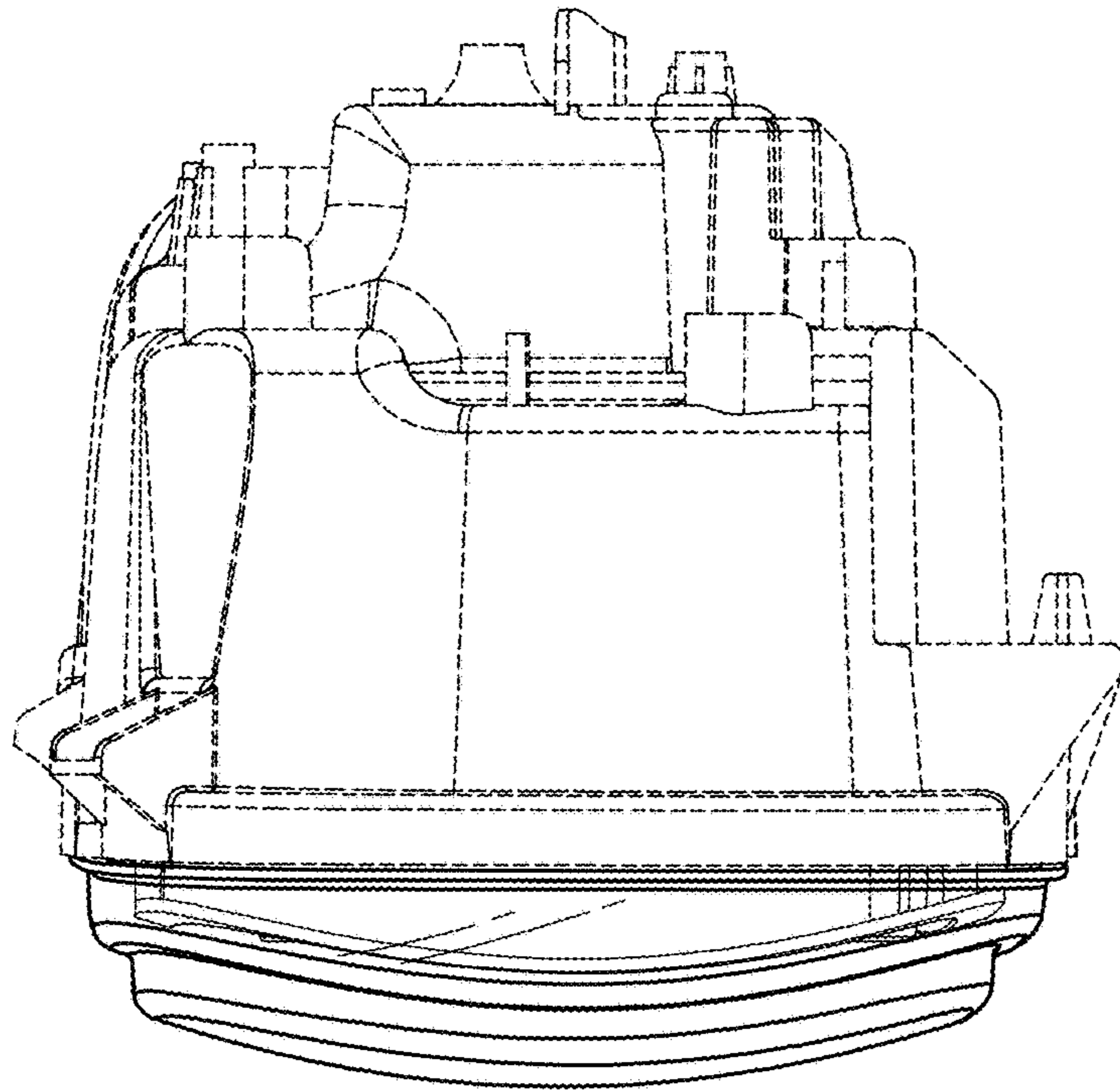


FIG.5

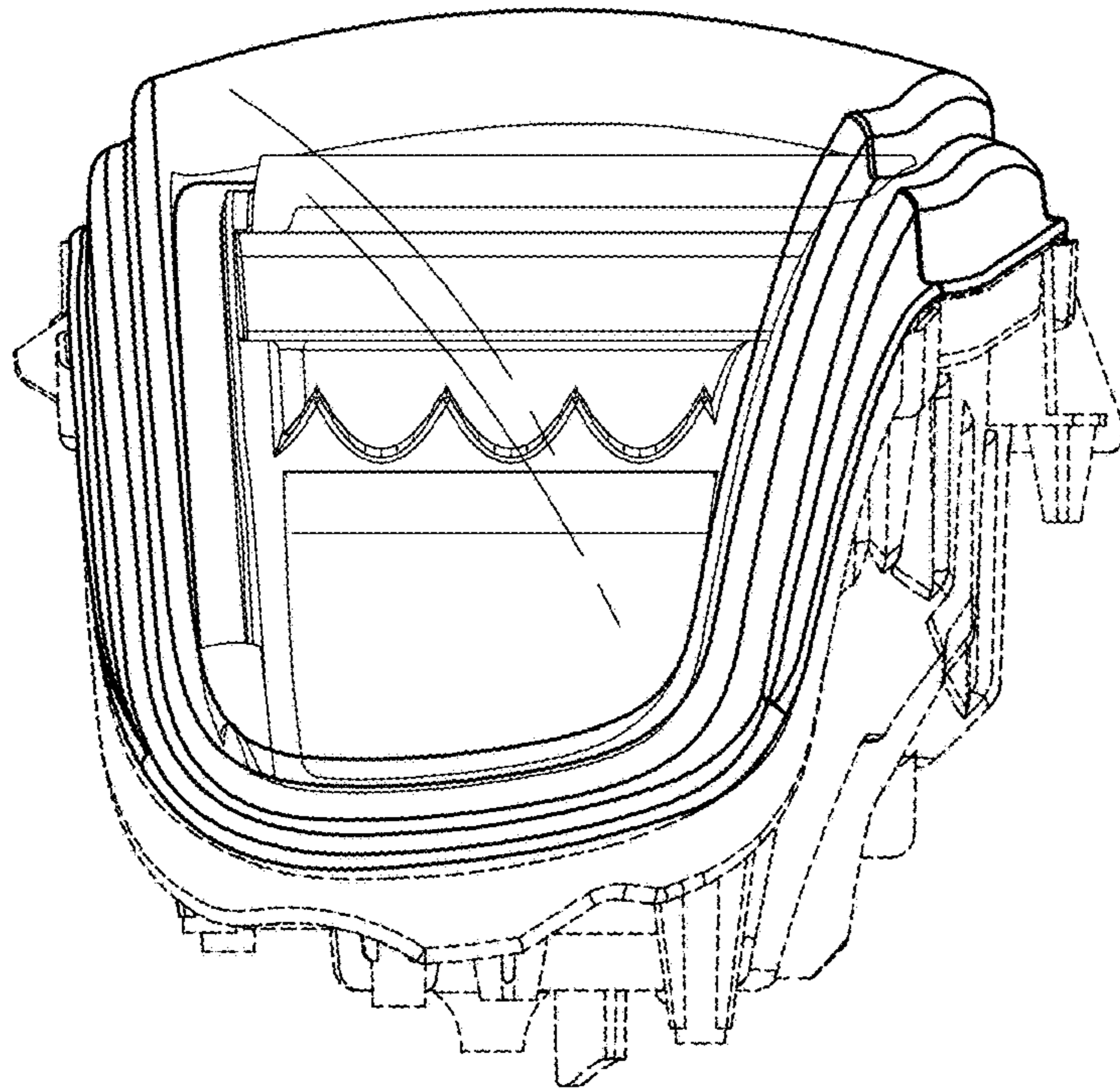


FIG.4

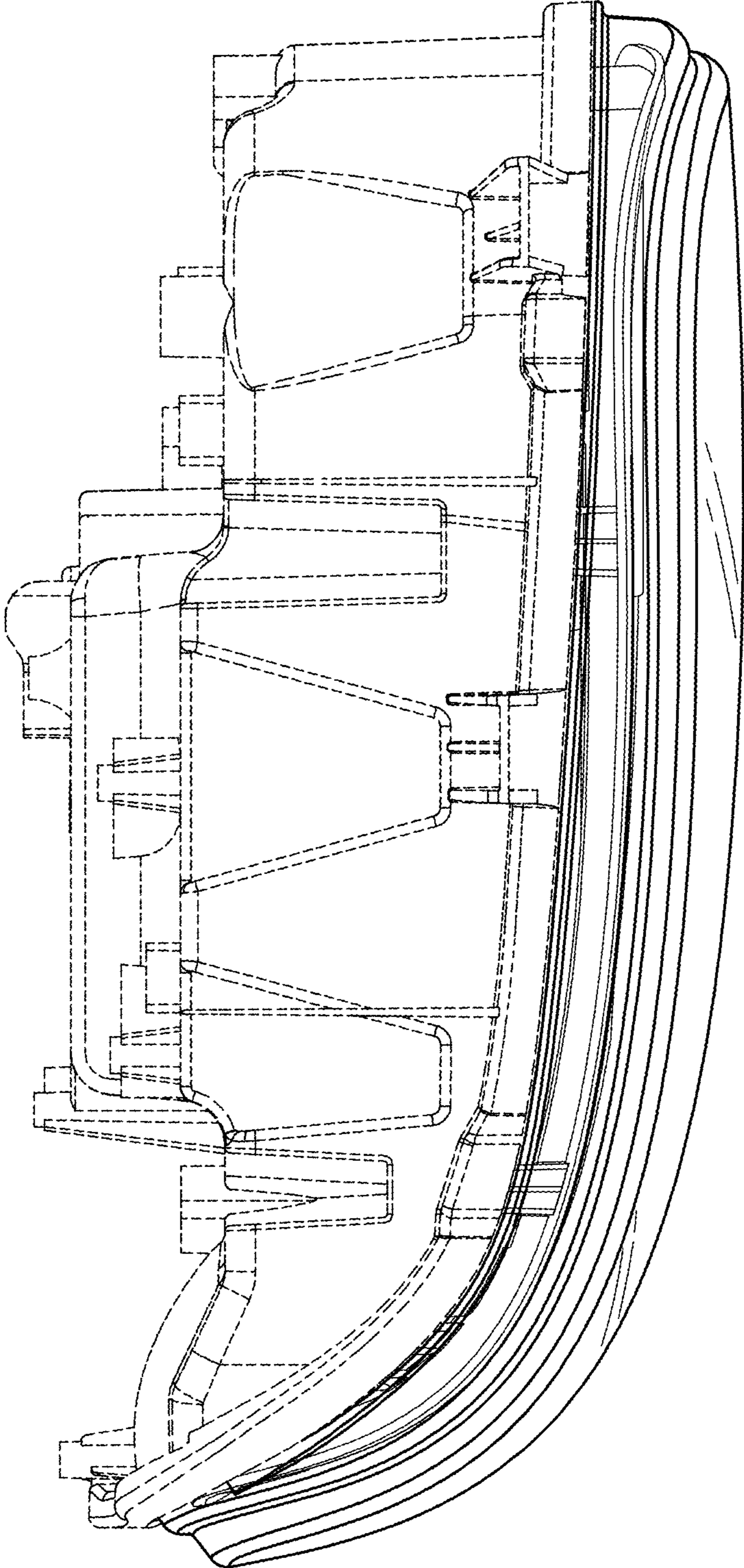


FIG.6

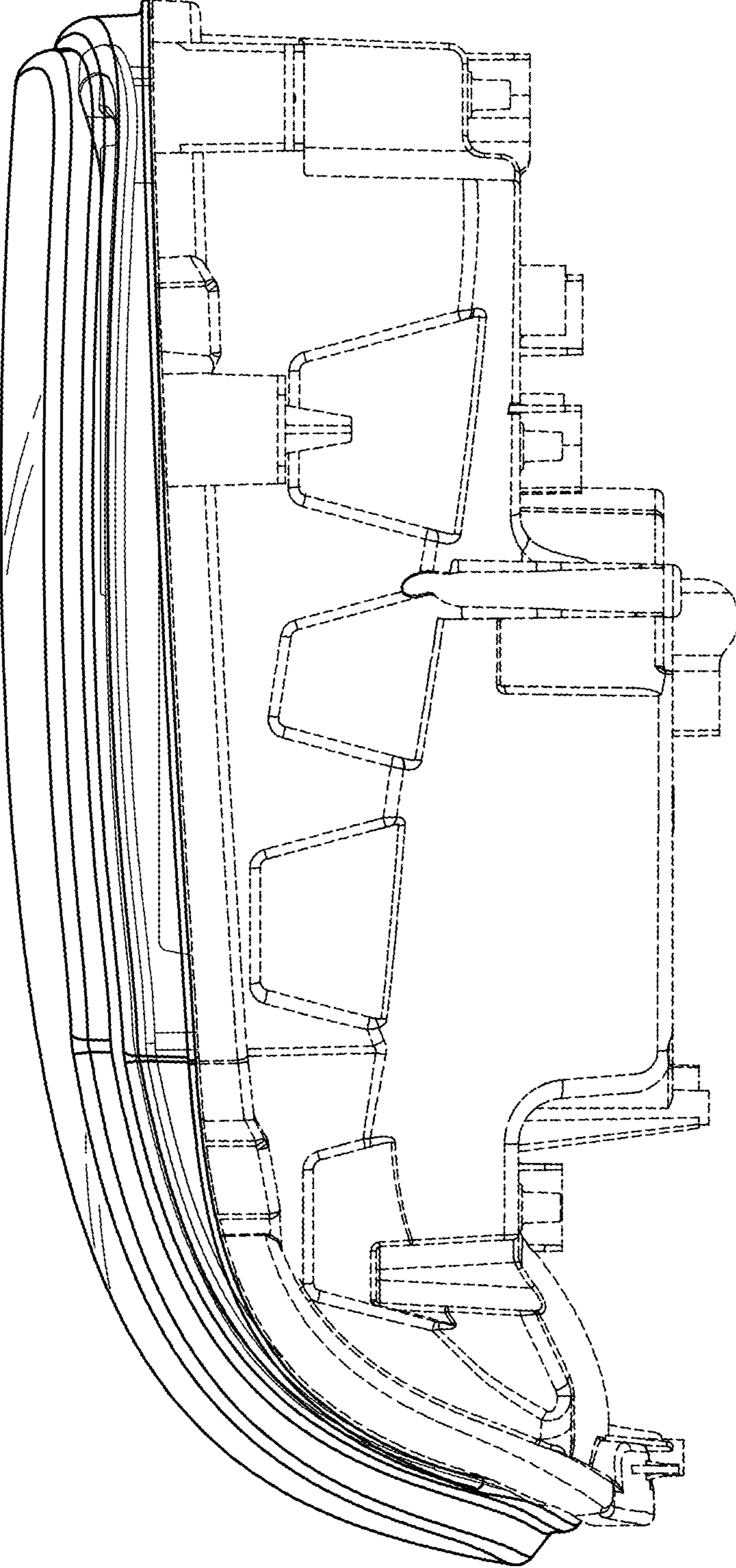


FIG.7