

US00D820480S

(12) **United States Design Patent** (10) **Patent No.:** **US D820,480 S**  
**Kaliroff** (45) **Date of Patent:** **\*\* Jun. 12, 2018**

(54) **TO-GO CUP CANDLE**

OTHER PUBLICATIONS

(71) Applicant: **Joel Kaliroff**, Manalapan, NJ (US)

Coffee Cup Candlel posted at Amazon.com, no dated posted, © 1996-2017 Amazon.com, [online], [site visited Mar. 26, 2018]. Available from Internet, <URL: [https://www.amazon.com/Coffee-Candle-Caramel-Macchiato-Scent/dp/B078JSYRWH/ref=sr\\_1\\_4?ie=UTF8&qid=1522084234&sr=8-4&keywords=coffee+cup+candle](https://www.amazon.com/Coffee-Candle-Caramel-Macchiato-Scent/dp/B078JSYRWH/ref=sr_1_4?ie=UTF8&qid=1522084234&sr=8-4&keywords=coffee+cup+candle)>.\*

(72) Inventor: **Joel Kaliroff**, Manalapan, NJ (US)

Candle Cafe Candlel posted at jcsalesweb.com, no dated posted, [site visited Mar. 26, 2018]. Available from Internet, <URL: <https://www.jcsalesweb.com/Catalog/Product/3498/0/547391-CANDLE-CAFE-CANDLE-FRENCH-VANILLA-COFFEE>>.\*

(73) Assignee: **U.S. Nonwovens Corp.**, Brentwood, NY (US)

(\*\*) Term: **15 Years**

\* cited by examiner

(21) Appl. No.: **29/581,812**

(22) Filed: **Oct. 21, 2016**

*Primary Examiner* — Derrick Holland

(51) **LOC (11) Cl.** ..... **26-04**

*Assistant Examiner* — Andrew Kerr

(52) **U.S. Cl.**  
USPC ..... **D26/7; D7/510**

(74) *Attorney, Agent, or Firm* — Cozen O'Connor

(58) **Field of Classification Search**  
USPC .... D7/507, 509–511, 538; D26/1, 4, 6, 7, 9, D26/10, 16, 22  
CPC ..... A47G 19/22; A47G 19/2205  
See application file for complete search history.

(57) **CLAIM**

The ornamental design for a to-go cup candle, as shown and described.

**DESCRIPTION**

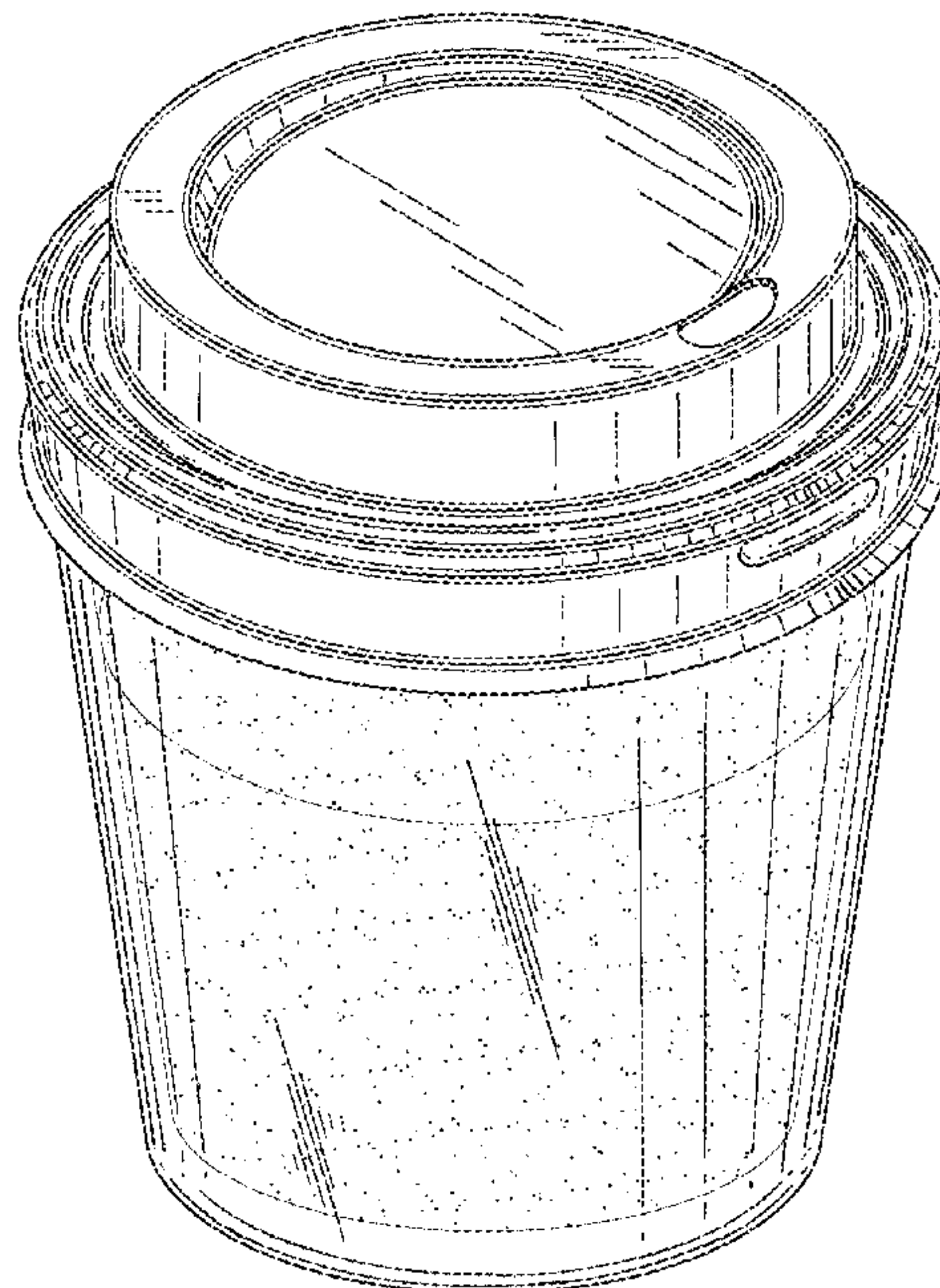
(56) **References Cited**

U.S. PATENT DOCUMENTS

D438,298 S *	2/2001	McNutt	.....	D23/366
D540,979 S *	4/2007	Chen	.....	D27/148
D670,836 S *	11/2012	Hisey	.....	26/22
D696,941 S *	1/2014	Kim	.....	D9/447
D763,039 S *	8/2016	Ionov	.....	D7/510
D763,621 S *	8/2016	Szymanski	.....	D7/392.1
D798,663 S *	10/2017	Matsui	.....	D7/507
2009/0283526 A1 *	11/2009	Pierce	.....	A47G 19/22 220/254.7

FIG. 1 is a perspective view of a to-go cup candle, showing our new design;  
FIG. 2 is an exploded view thereof;  
FIG. 3 is a top view thereof;  
FIG. 4 is a side view thereof;  
FIG. 5 is a bottom view thereof;  
FIG. 6 is a cross-section view along the line 6-6 in FIG. 3; and,  
FIG. 7 is a cross-section view along the line 7-7 in FIG. 3.

**1 Claim, 7 Drawing Sheets**



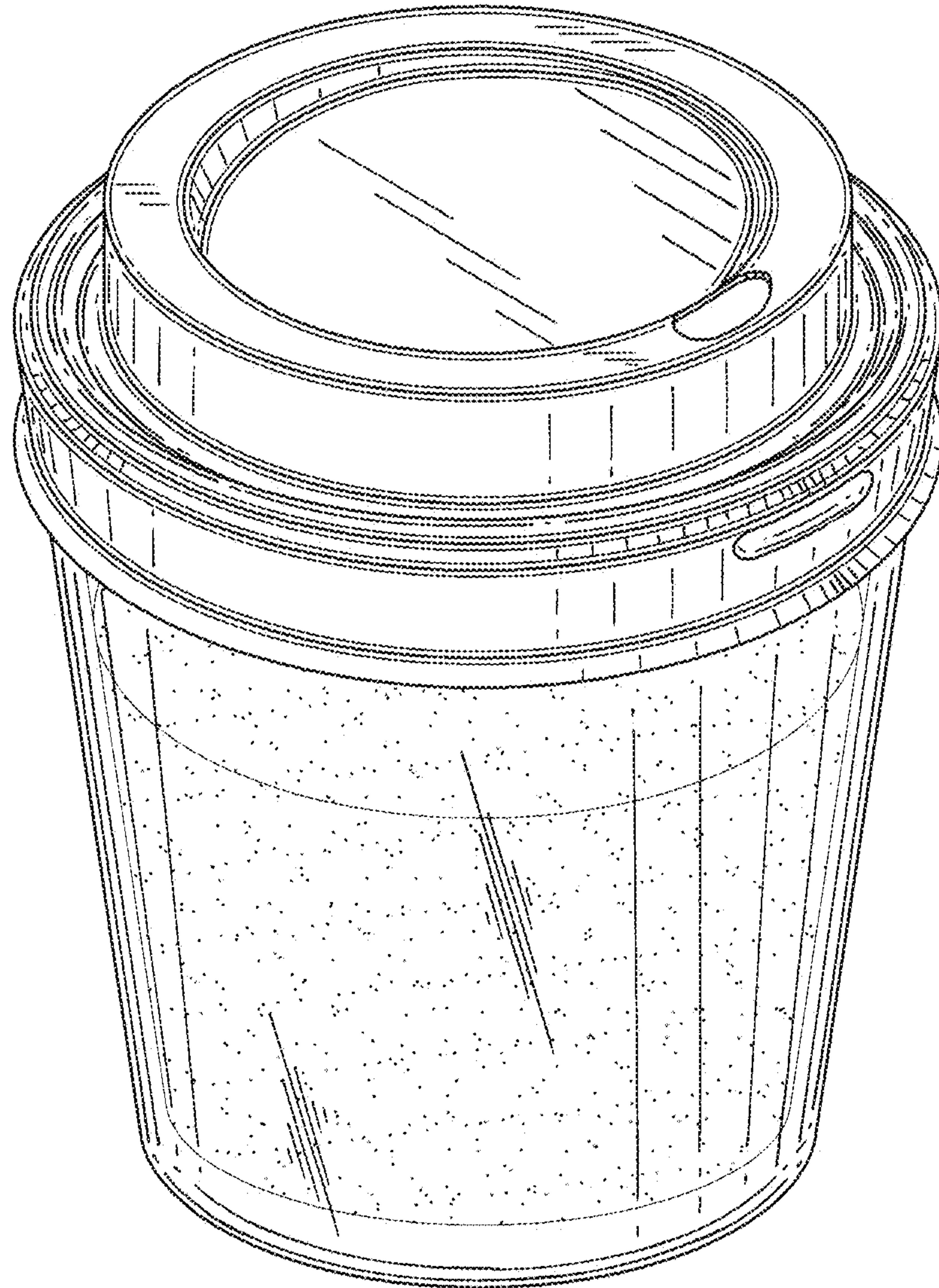


FIG. 1



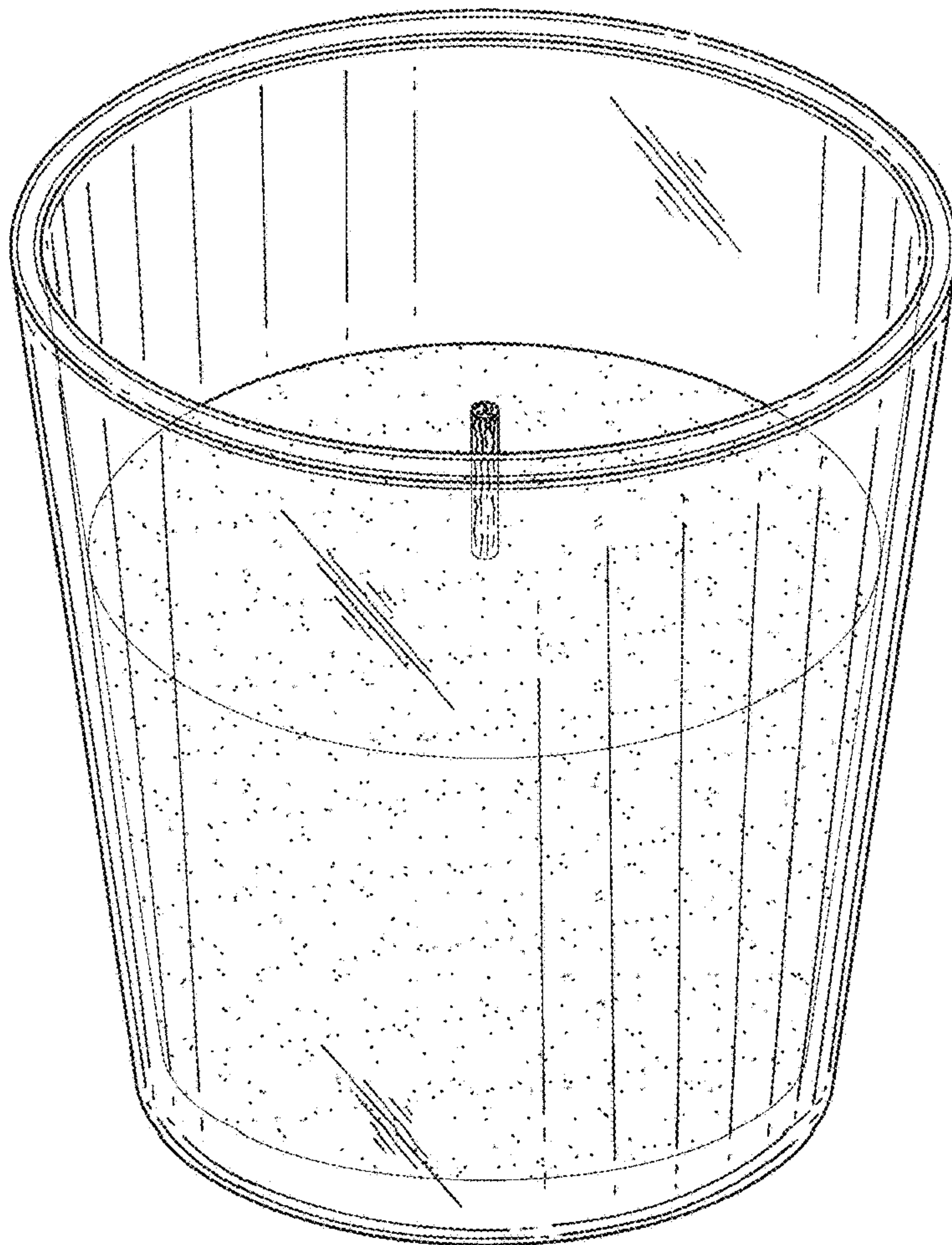
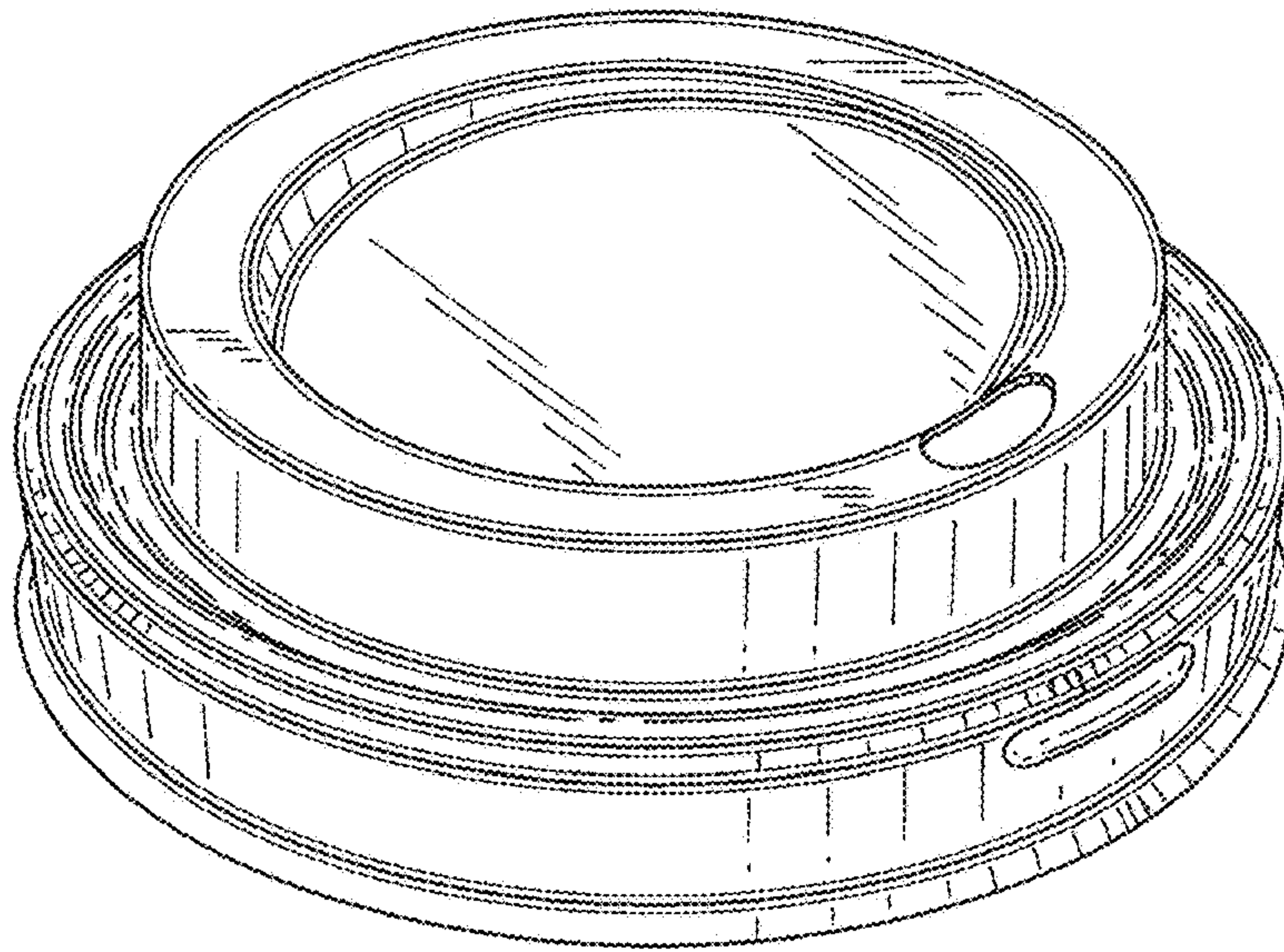


FIG. 2

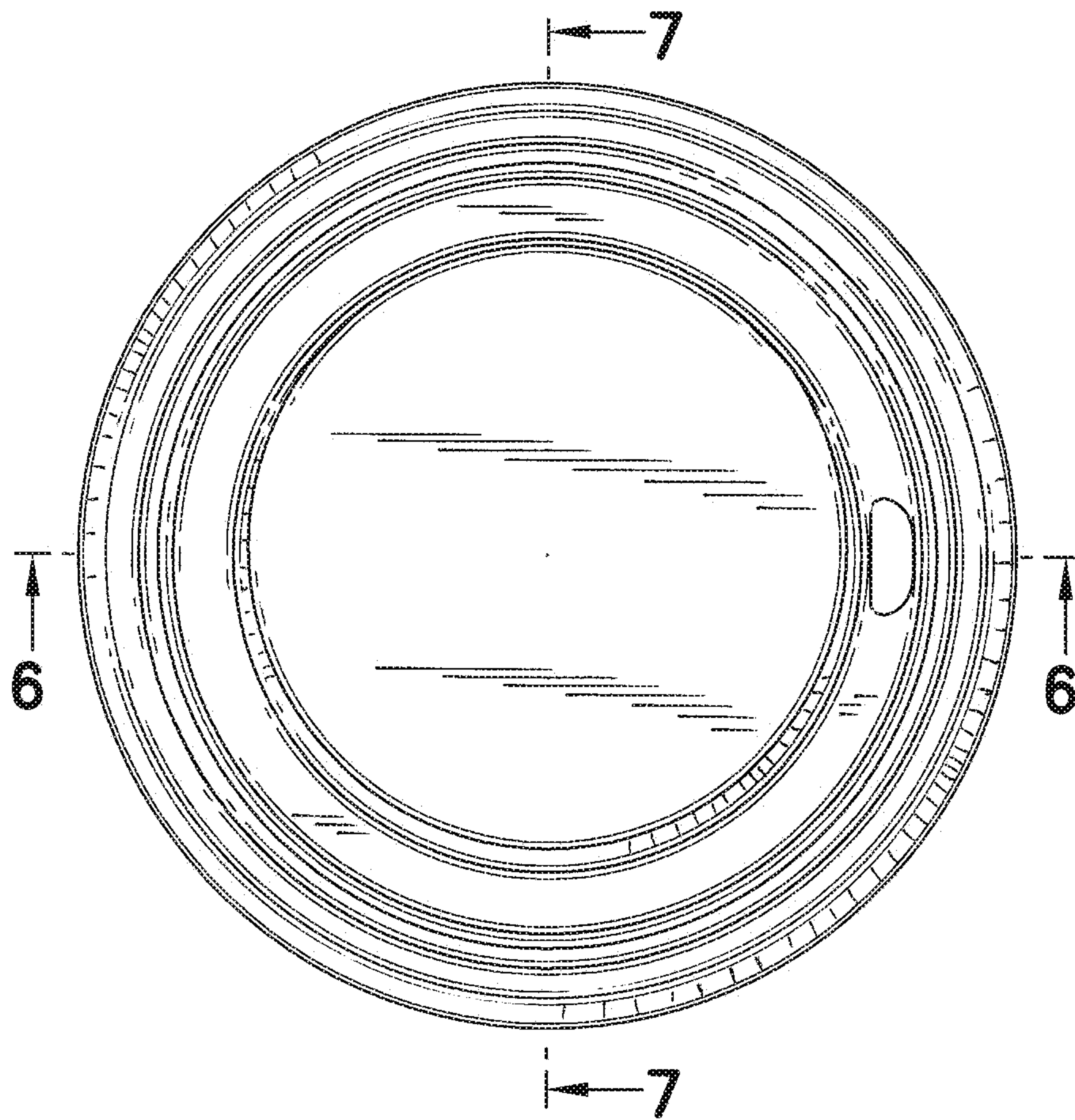


FIG.3

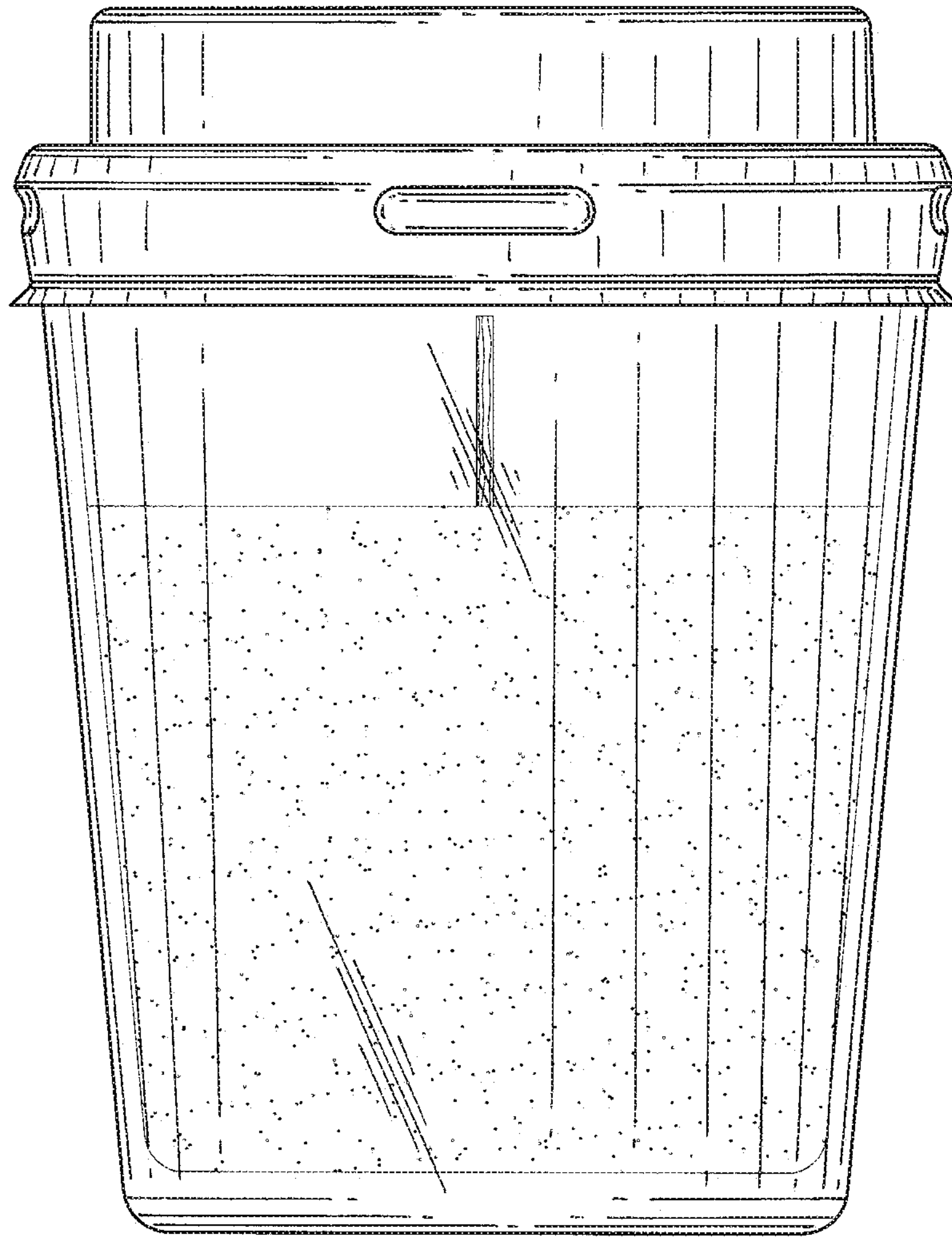


FIG.4



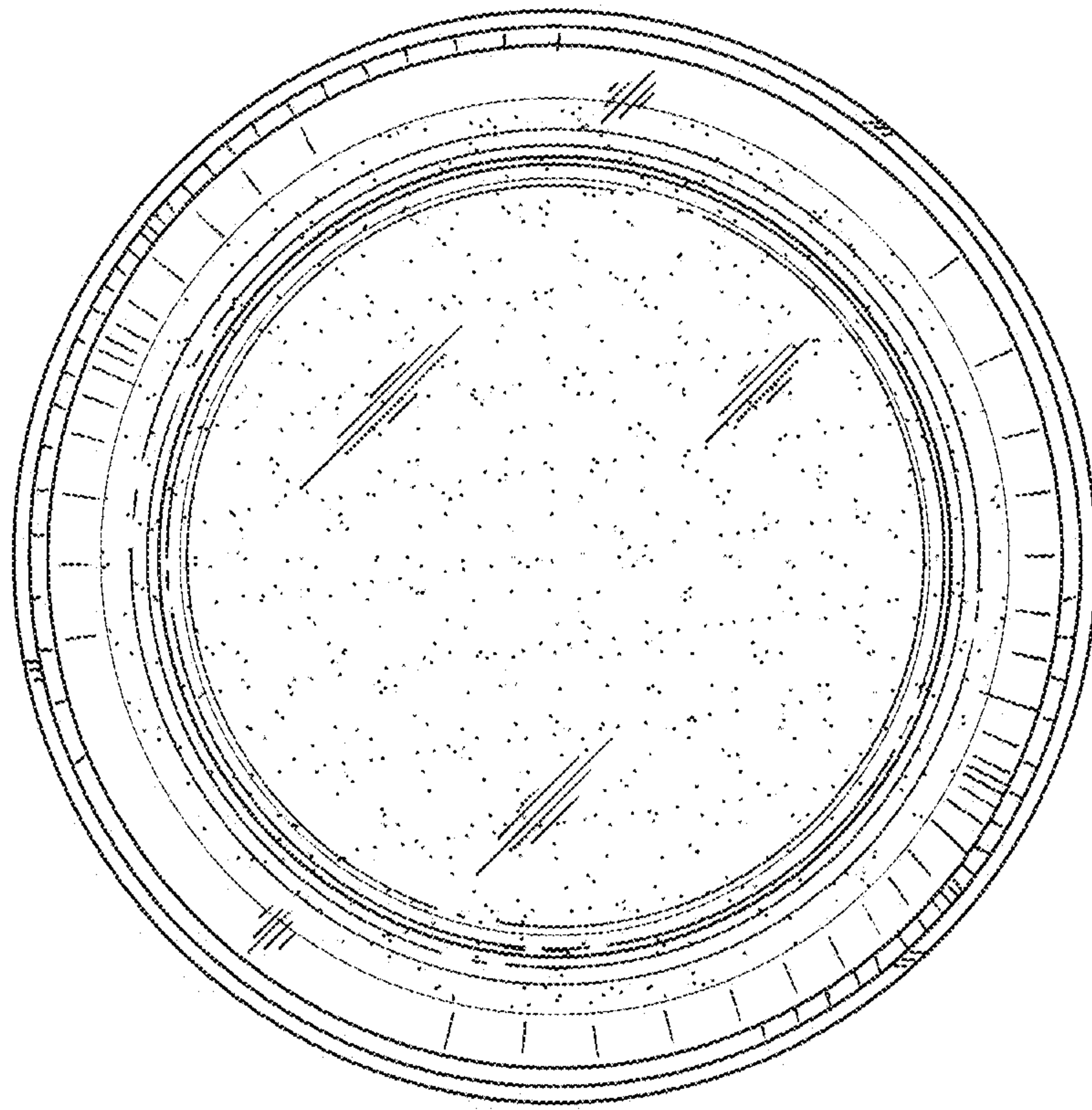


FIG.5

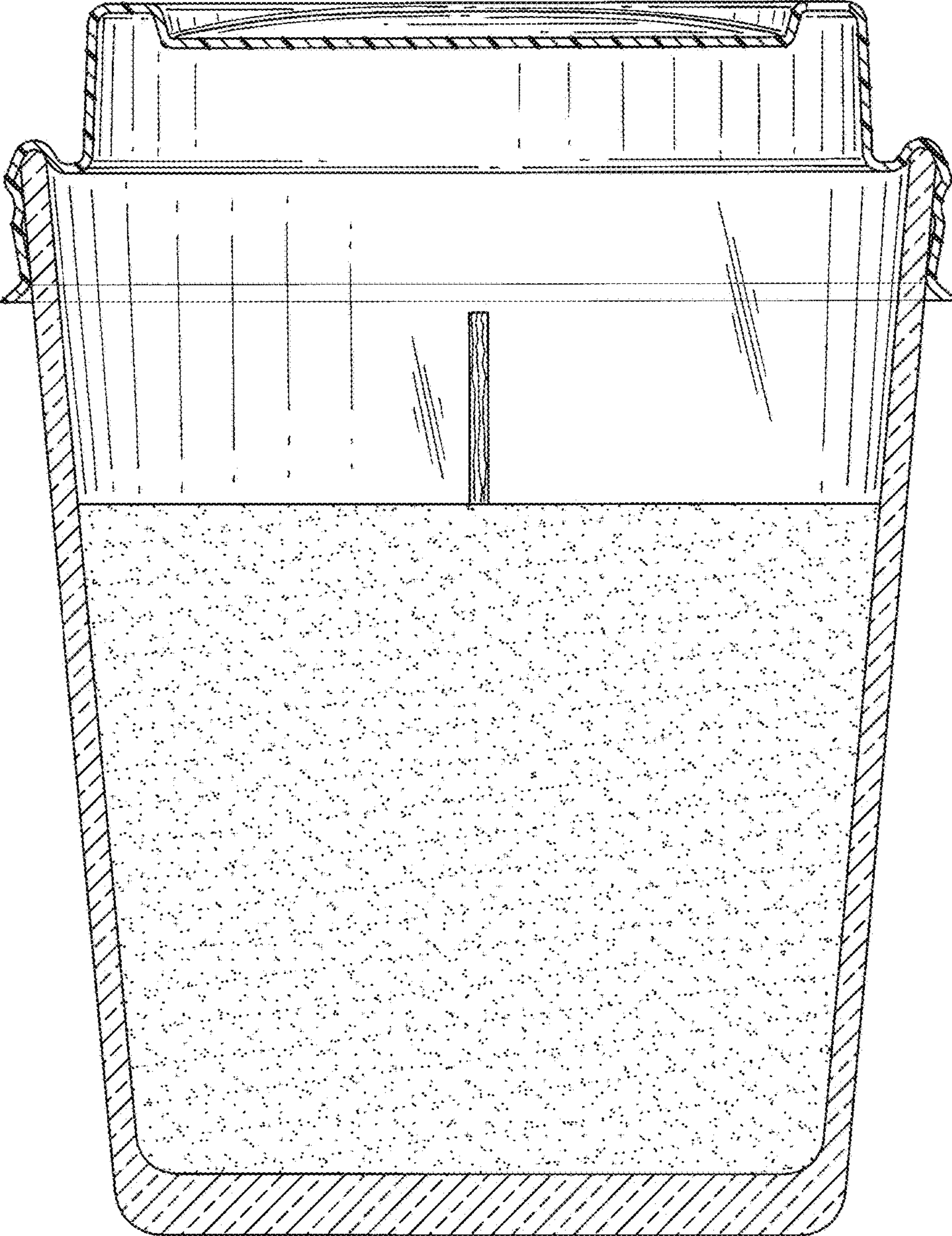


FIG. 6

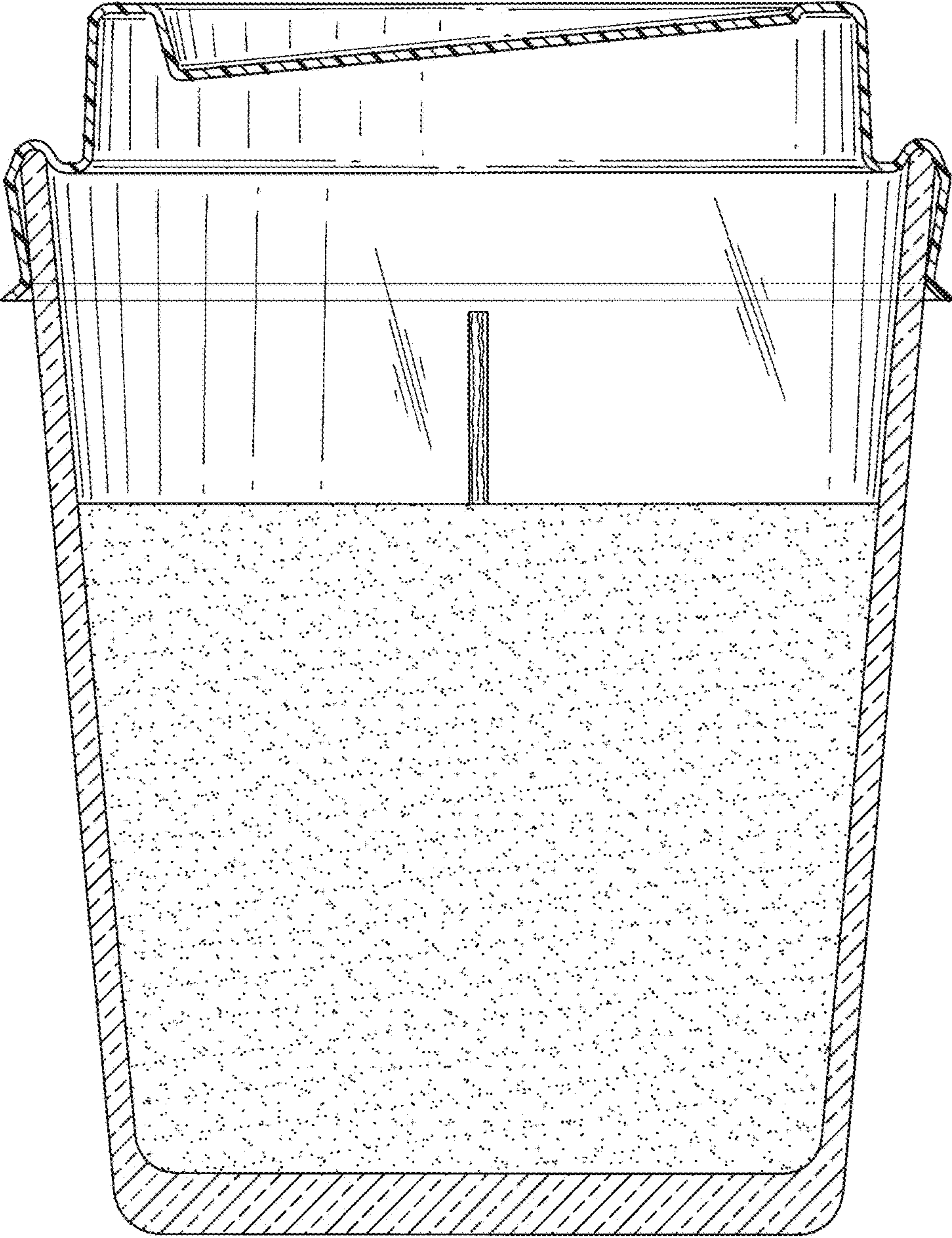


FIG. 7