



US00D820479S

(12) **United States Design Patent** (10) **Patent No.:** **US D820,479 S**
Jiang et al. (45) **Date of Patent:** **** Jun. 12, 2018**

(54) **LIGHT BULB FILAMENT**

(56) **References Cited**

(71) Applicant: **XIAMEN ECO LIGHTING CO., LTD.**, Xiamen, Fujian Province (CN)

U.S. PATENT DOCUMENTS

(72) Inventors: **Hongkui Jiang**, Xiamen (CN); **Yanzeng Gao**, Xiamen (CN); **Feng Wu**, Xiamen (CN); **Chenjun Wu**, Xiamen (CN)

D410,554 S *	6/1999	Guyton	D26/2
D422,099 S *	3/2000	Kracke	D26/2
D549,360 S *	8/2007	An	D26/2
D550,864 S *	9/2007	Hernandez, Jr.	D26/2
D689,215 S *	9/2013	Xue	D26/2

(73) Assignee: **XIAMEN ECO LIGHTING CO., LTD.** (CN)

Primary Examiner — Marcus Jackson
(74) *Attorney, Agent, or Firm* — PROI Intellectual Property US

(**) Term: **15 Years**

(57) **CLAIM**

(21) Appl. No.: **29/606,520**

The ornamental design for light bulb filament, as shown and described.

(22) Filed: **Jun. 5, 2017**

DESCRIPTION

(51) **LOC (11) Cl.** **26-04**

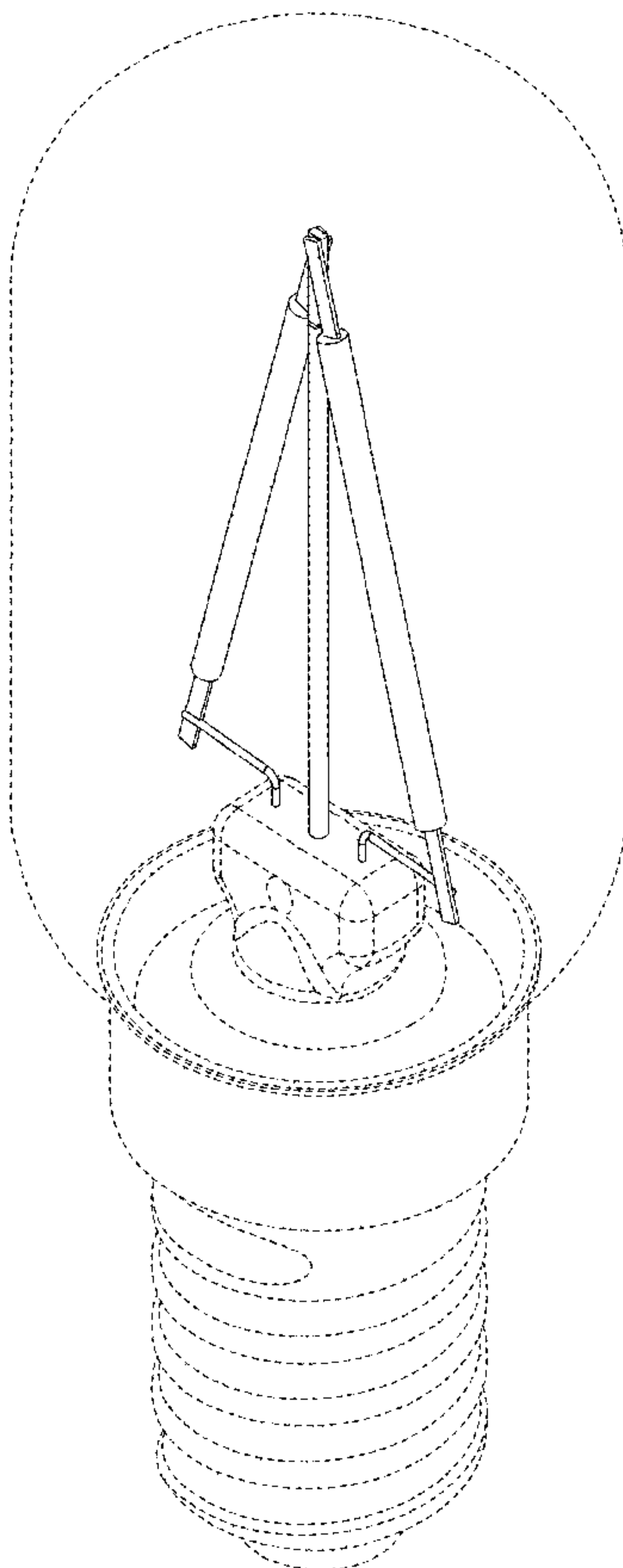
(52) **U.S. Cl.**
USPC **D26/2**

(58) **Field of Classification Search**
USPC D26/1-4; 313/313; 315/52
CPC H01R 5/00; H01R 13/46; H01R 13/514;
H01R 31/048; H01R 31/02; H01J 5/00;
H01J 5/16; H01J 15/00; H01J 5/48; H01J
5/50; H01J 19/54; F21V 5/00

FIG. 1 is a perspective front View of light bulb filament;
FIG. 2 is a front View thereof;
FIG. 3 is a left side View thereof;
FIG. 4 is a rear View thereof;
FIG. 5 is a right side View thereof;
FIG. 6 is a top plan View thereof;
FIG. 7 is a bottom plan View thereof; and,
FIG. 8 is a perspective front View thereof.

See application file for complete search history.

1 Claim, 7 Drawing Sheets



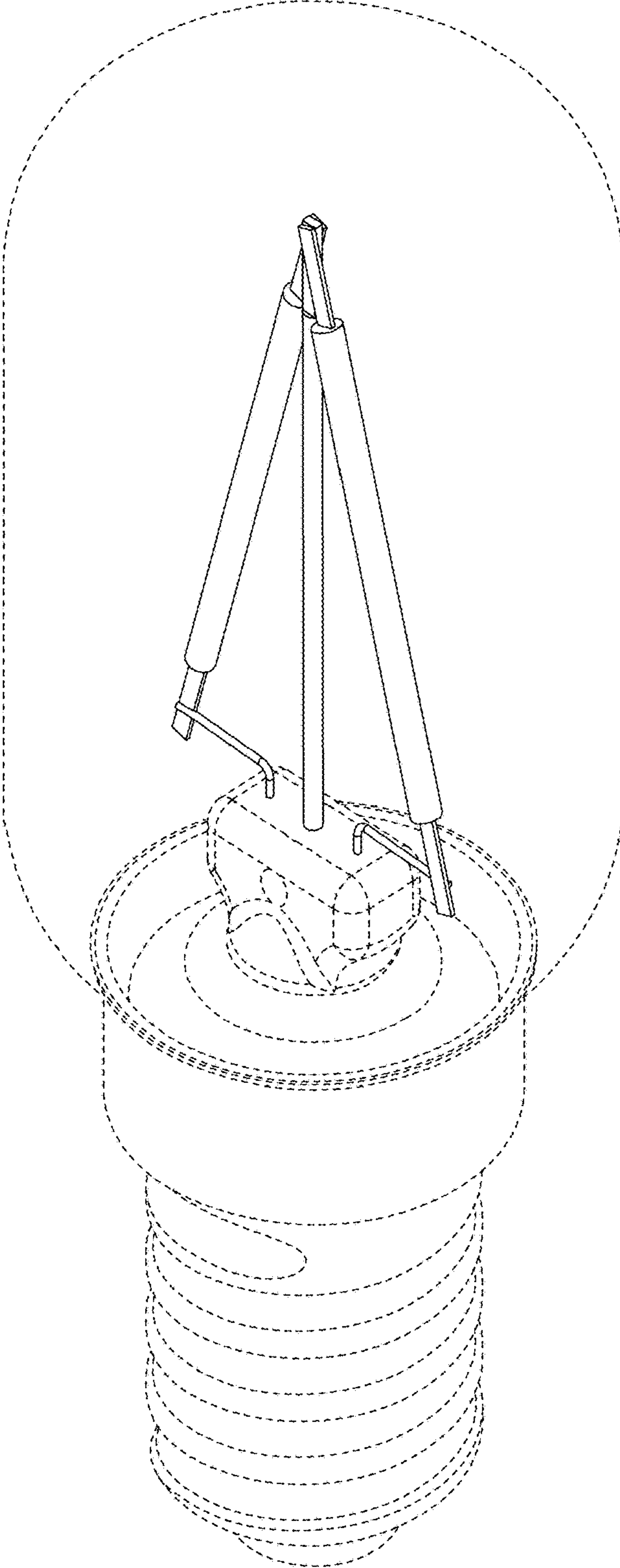


FIG. 1

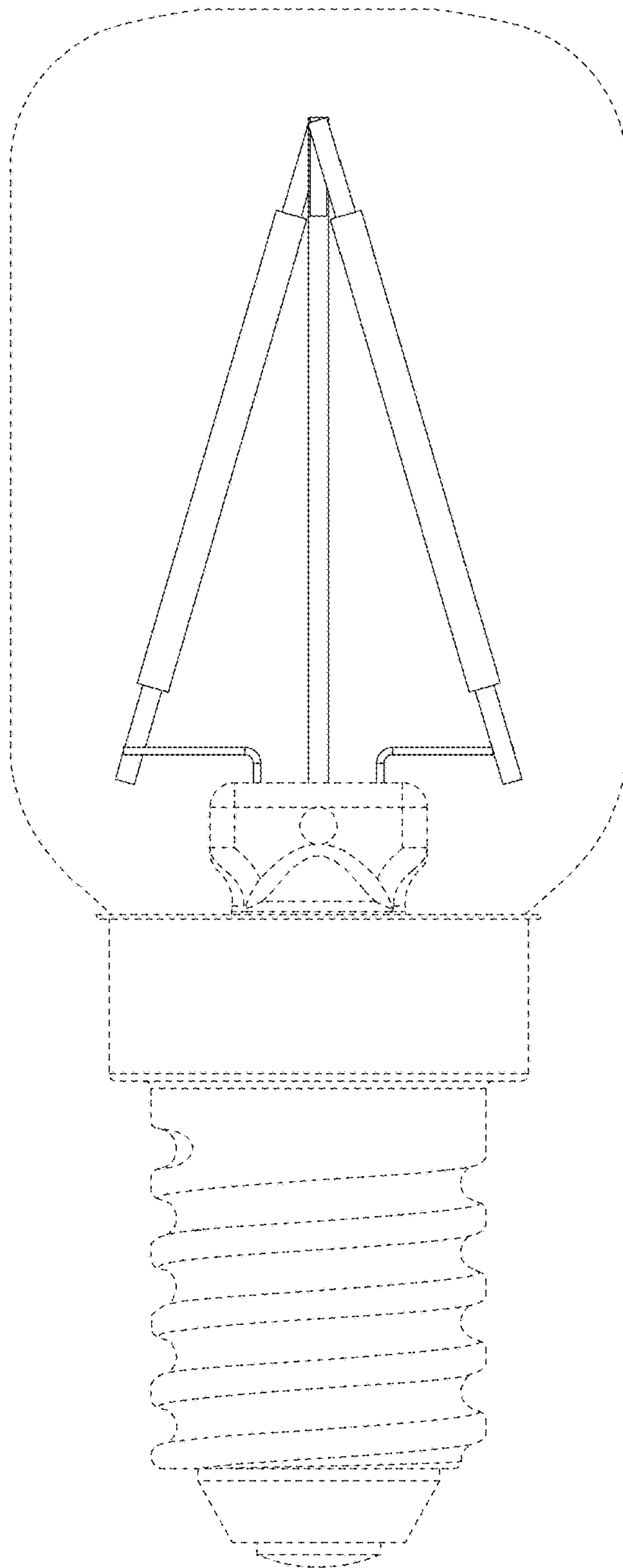


FIG. 2

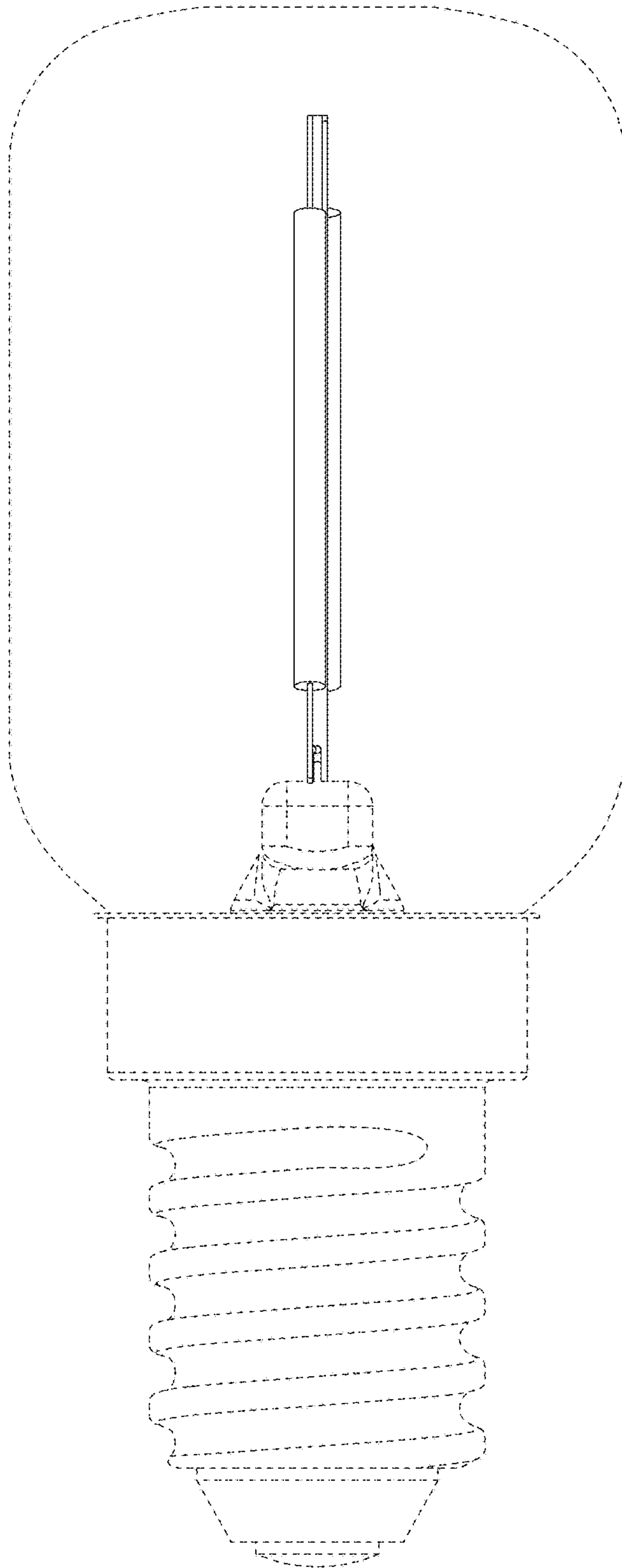


FIG. 3

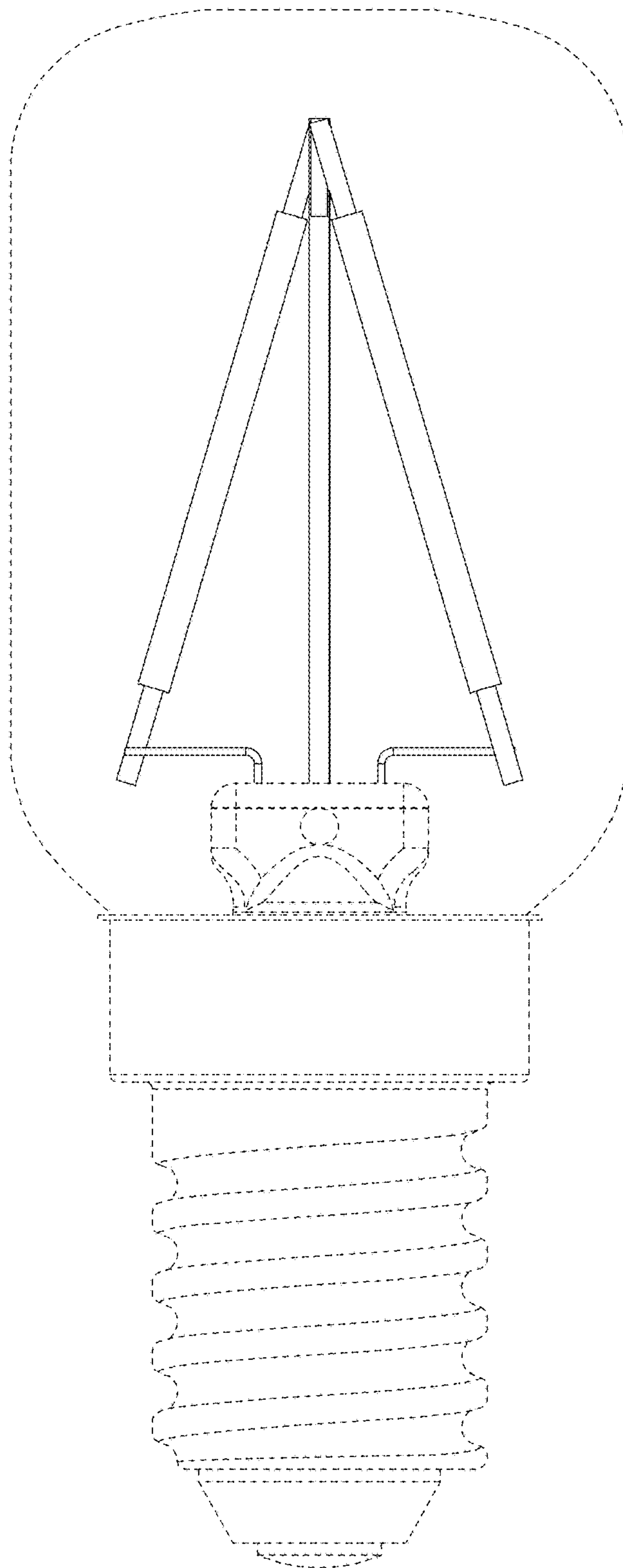


FIG. 4

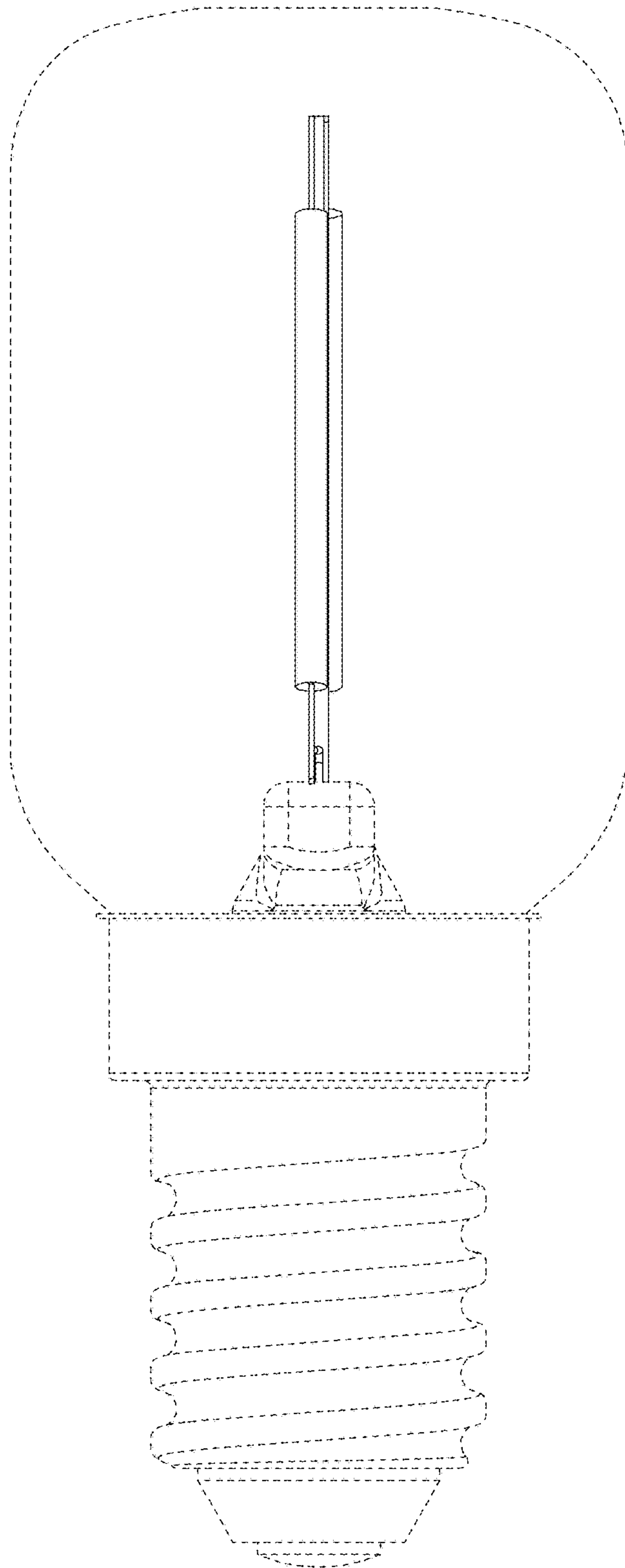


FIG. 5

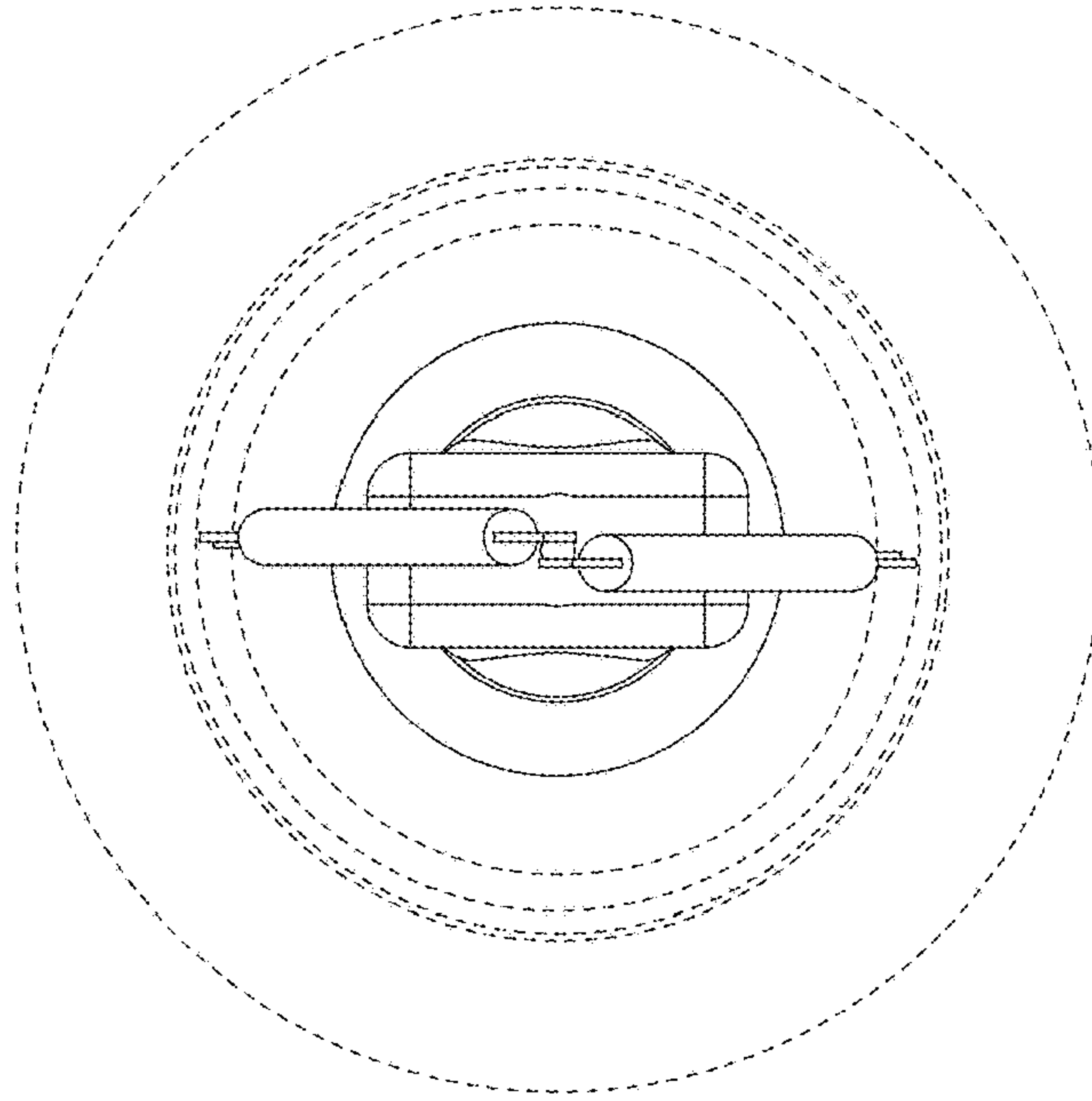


FIG. 6

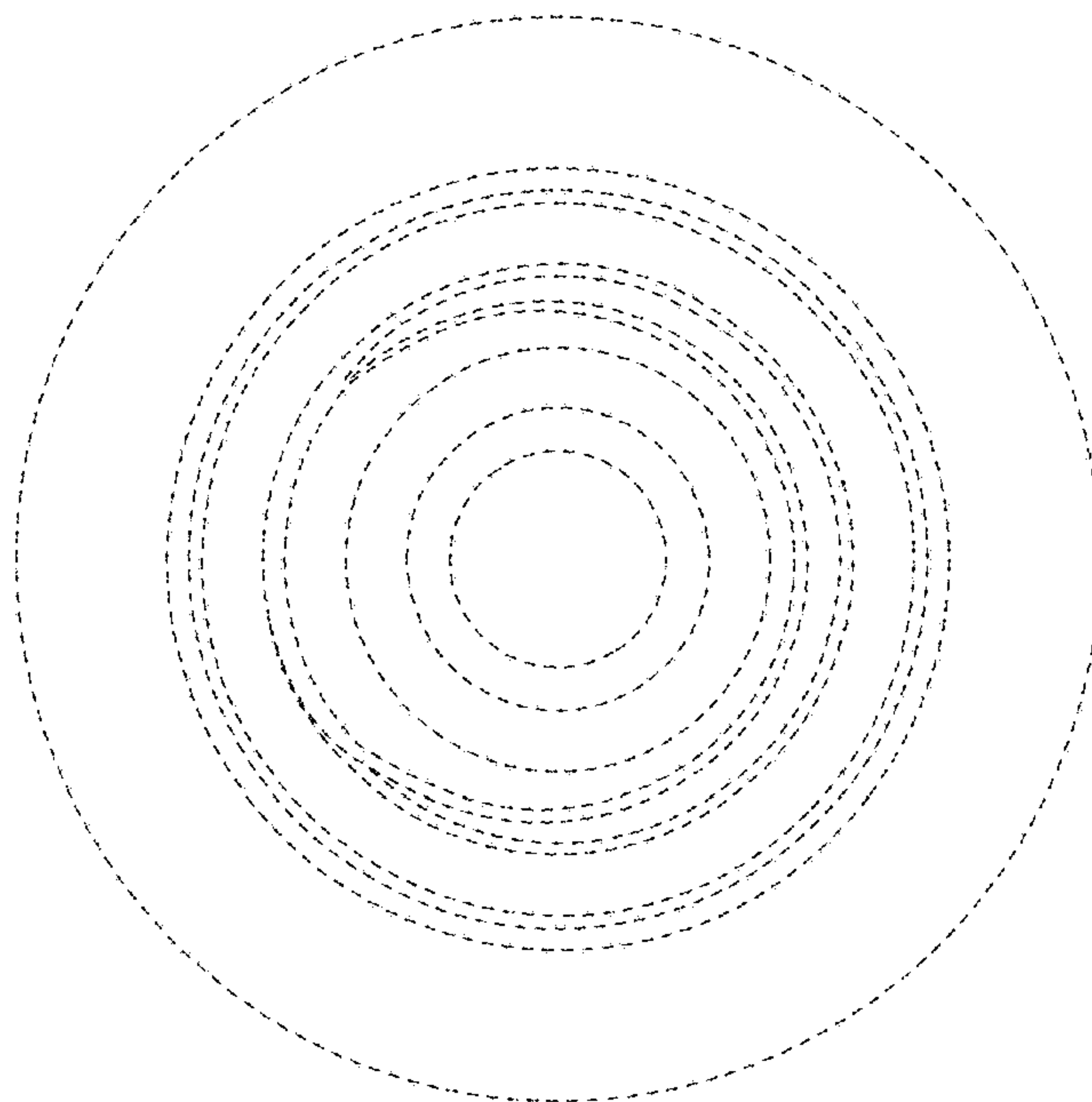


FIG. 7

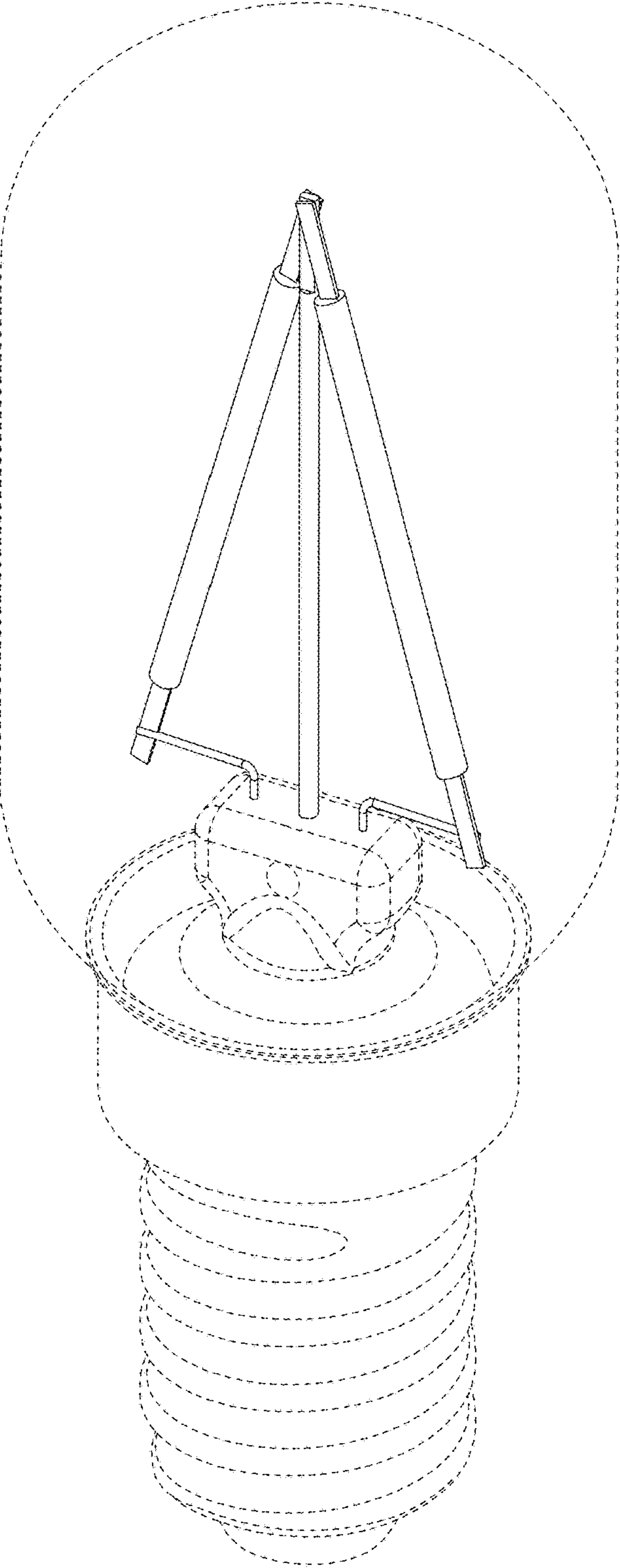


FIG. 8