



US00D820473S

(12) **United States Design Patent** (10) **Patent No.:** **US D820,473 S**
Mugge et al. (45) **Date of Patent:** **** Jun. 12, 2018**

(54) **MOLDED SURFACE OF A CONCRETE PRODUCT**

(71) Applicant: **Anchor Wall Systems, Inc.**,
Minnetonka, MN (US)

(72) Inventors: **Jimmie L. Mugge**, Inver Grove Heights, MN (US); **Jay J. Johnson**, Star Prairie, WI (US); **Robert Joel Wolter**, Chaska, MN (US)

(73) Assignee: **Anchor Wall Systems, Inc.**,
Minnetonka, MN (US)

(**) Term: **15 Years**

(21) Appl. No.: **29/620,564**

(22) Filed: **Feb. 22, 2017**

Related U.S. Application Data

(62) Division of application No. 29/505,387, filed on Oct. 6, 2015, now Pat. No. Des. 783,860, which is a division of application No. 29/474,662, filed on Dec. 17, 2014, now Pat. No. Des. 743,054, which is a division of application No. 29/463,927, filed on Apr. 8, 2014, now Pat. No. Des. 722,391, which is a division of application No. 29/442,955, filed on Jun. 18, 2013, now Pat. No. Des. 705,951, which is a division of application No. 29/442,007, filed on Nov.

(Continued)

(51) **LOC (11) Cl.** **25-01**

(52) **U.S. Cl.**
USPC **D25/113**

(58) **Field of Classification Search**
USPC D21/484-486, 489-491, 500-502;
D25/102, 113-118, 164
CPC E04F 13/007; E04F 13/0871; E04F 13/14;
E04F 13/22; E04F 13/24; E04B 1/625;
E04B 1/5837; E04B 2001/5887
See application file for complete search history.

(56) **References Cited**

U.S. PATENT DOCUMENTS

415,773 A 11/1889 Fiske
D20,287 S 11/1890 Lewis

(Continued)

FOREIGN PATENT DOCUMENTS

DE 196 34 499 A1 3/1998
DE 100 02 390 A1 7/2001

(Continued)

OTHER PUBLICATIONS

“Kobra Slab Molds: Optimum Slab Production on Big Board Machines, Design and benefits,” *KOBRA*, 2 pages, published before Aug. 6, 2007.

(Continued)

Primary Examiner — Susan B Hattan

Assistant Examiner — Leanne Was-Englehart

(74) *Attorney, Agent, or Firm* — Merchant & Gould P.C.

(57) **CLAIM**

The ornamental design for a molded surface of a concrete product, as shown and described.

DESCRIPTION

FIG. 1 is a perspective view of a molded surface of a concrete product, according to our design;

FIG. 2 is a front view thereof;

FIG. 3 is a rear view thereof;

FIG. 4 is a right side view thereof;

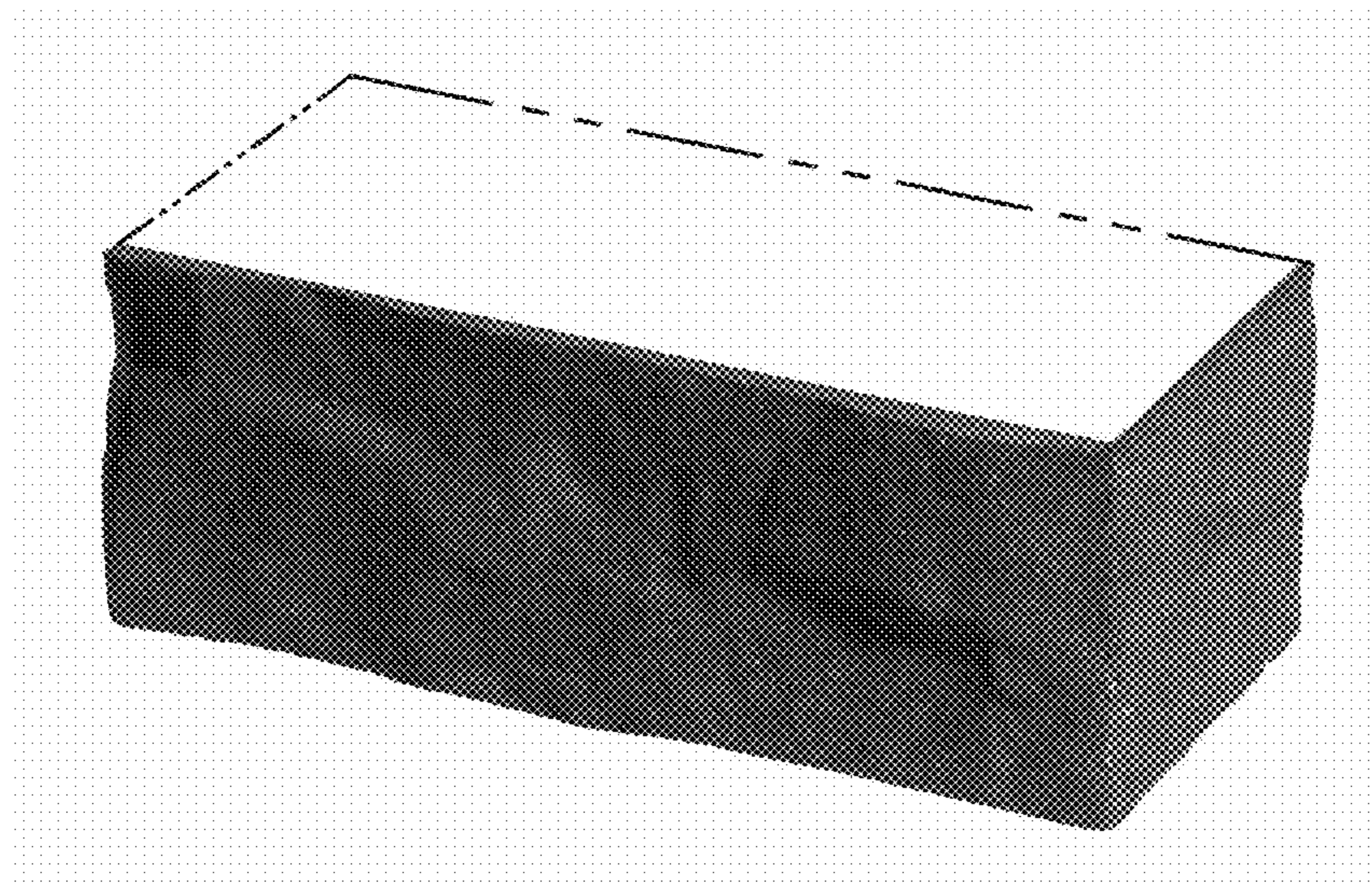
FIG. 5 is a left side view thereof;

FIG. 6 is a top view thereof; and,

FIG. 7 is a bottom view thereof.

The broken lines in the drawing views are included for the purpose of illustrating portions of the molded surface of a concrete product that form no part of the claimed design.

1 Claim, 7 Drawing Sheets



Related U.S. Application Data

9, 2012, now Pat. No. Des. 687,167, which is a division of application No. 29/395,232, filed on Dec. 20, 2011, now Pat. No. Des. 673,693, which is a division of application No. 29/372,509, filed on Nov. 29, 2010, now Pat. No. Des. 653,772.

(56)

References Cited

U.S. PATENT DOCUMENTS

D21,522 S 5/1892 Lewis
 799,754 A 9/1905 Petrie
 803,014 A 10/1905 McIlravy
 813,901 A 2/1906 Leming et al.
 819,055 A 5/1906 Fisher
 824,235 A 6/1906 Damon
 838,278 A 12/1906 Schwartz
 1,086,975 A 2/1914 Aaronson
 1,166,312 A 12/1915 Barten
 1,564,490 A 12/1925 Parkhurst
 1,574,123 A 2/1926 Sharpe
 1,596,165 A 8/1926 Evans
 1,693,852 A 12/1928 McQuain
 1,751,272 A 3/1930 Forman
 1,776,999 A 9/1930 Jensen
 1,982,730 A 12/1934 Erkman
 2,038,205 A 4/1936 Case
 2,313,363 A 3/1943 Schmitt
 2,457,368 A 12/1948 Hanson
 2,517,432 A 8/1950 Hornberger
 2,570,384 A 10/1951 Russell
 2,682,093 A 6/1954 Clanton
 2,819,495 A 1/1958 Krausz
 2,882,689 A 4/1959 Huch et al.
 D190,779 S 6/1961 Stekl
 3,013,321 A 12/1961 McElroy
 3,204,316 A 9/1965 Jackson
 3,277,551 A 10/1966 Sekiguchi
 3,425,105 A 2/1969 Gulde
 3,530,553 A 9/1970 Engle et al.
 3,669,402 A 6/1972 Paulson
 3,694,128 A 9/1972 Foxen
 3,731,899 A 5/1973 Nuzzo
 3,795,721 A 3/1974 Gilbert et al.
 3,809,049 A 5/1974 Fletcher et al.
 3,918,877 A 11/1975 Pickett
 3,940,229 A 2/1976 Hutton
 3,981,953 A 9/1976 Haines
 4,050,864 A 9/1977 Komaki
 4,063,866 A 12/1977 Lurbiecki
 4,178,340 A 12/1979 Hyytinen
 4,272,230 A 6/1981 Abate
 4,784,821 A 11/1988 Leopold
 4,802,836 A 2/1989 Whissell
 4,869,660 A 9/1989 Ruckstahl
 4,902,211 A 2/1990 Svanholm
 4,909,717 A 3/1990 Pardo
 D317,048 S 5/1991 Forsberg
 D317,209 S 5/1991 Forsberg
 D319,885 S 9/1991 Blomquist et al.
 D321,060 S 10/1991 Blomquist et al.
 5,056,998 A 10/1991 Goossens
 5,078,940 A 1/1992 Sayles
 5,183,616 A 2/1993 Hedrick
 5,211,895 A 5/1993 Jacklich, Sr.
 D341,215 S 11/1993 Blomquist et al.
 5,366,676 A 11/1994 Kobayashi
 5,372,676 A 12/1994 Lowe
 5,435,949 A 7/1995 Hwang
 5,484,236 A 1/1996 Gravier
 5,534,214 A 7/1996 Sakamoto et al.
 5,598,679 A 2/1997 Orton et al.
 5,651,912 A 7/1997 Mitsumoto et al.
 D387,431 S 12/1997 Tremblay
 5,735,094 A 4/1998 Zember
 5,756,131 A 5/1998 Suh

5,816,749 A 10/1998 Bailey, II
 5,827,015 A 10/1998 Woolford et al.
 D429,004 S 8/2000 Strand et al.
 D431,656 S 10/2000 Pardo
 D435,304 S 12/2000 Rainey
 D437,422 S 2/2001 Bolles et al.
 D438,640 S 3/2001 Bolles et al.
 D445,512 S 7/2001 Sievert
 D448,858 S * 10/2001 Azar D25/113
 6,321,740 B1 11/2001 Scherer et al.
 D452,332 S 12/2001 Blomquist et al.
 D458,693 S 6/2002 Sievert
 D464,145 S 10/2002 Scherer
 D464,147 S 10/2002 Van Cauwenbergh
 D466,619 S 12/2002 Britton
 D468,449 S 1/2003 Britton
 D477,091 S 7/2003 Manthei
 D479,002 S 8/2003 Nordstrand
 D479,003 S 8/2003 Nordstrand
 D482,133 S 11/2003 Scherer et al.
 D492,796 S 7/2004 Price
 D500,864 S 1/2005 Klettenberg et al.
 D506,837 S 6/2005 Scherer
 D511,578 S 11/2005 Mugge et al.
 D513,805 S 1/2006 Scherer
 D518,578 S 4/2006 Mugge
 D529,195 S 9/2006 Mugge
 D529,628 S 10/2006 Mugge
 D530,831 S 10/2006 Mugge
 D532,910 S 11/2006 Mugge
 D538,946 S 3/2007 Mugge
 D539,930 S 4/2007 Magliocco et al.
 D541,950 S 5/2007 Mugge
 D541,951 S 5/2007 Mugge et al.
 7,267,321 B1 9/2007 Morrell
 7,410,328 B2 8/2008 Hamel
 D584,423 S 1/2009 Mugge et al.
 D584,834 S 1/2009 Lacas
 D585,567 S 1/2009 Mugge et al.
 7,484,910 B2 2/2009 Mugge
 D588,713 S 3/2009 Mugge et al.
 D588,714 S * 3/2009 Mugge D25/113
 D589,167 S 3/2009 Manthei et al.
 D598,135 S 8/2009 Mugge et al.
 D598,136 S 8/2009 Mugge
 D598,137 S 8/2009 Mugge et al.
 D604,430 S 11/2009 Mugge et al.
 7,618,578 B2 11/2009 Manthei et al.
 D609,367 S 2/2010 Mugge et al.
 D609,368 S 2/2010 Mugge et al.
 D609,821 S 2/2010 Mugge et al.
 D611,164 S 3/2010 Mugge
 D613,880 S 4/2010 Mugge et al.
 D619,730 S 7/2010 Mugge et al.
 D619,731 S 7/2010 Mugge et al.
 D619,732 S 7/2010 Mugge et al.
 D619,733 S 7/2010 Mugge et al.
 D619,734 S 7/2010 Mugge et al.
 D619,735 S 7/2010 Mugge et al.
 D620,133 S 7/2010 Mugge et al.
 D620,134 S 7/2010 Mugge et al.
 D620,614 S 7/2010 Mugge et al.
 D621,069 S 8/2010 Mugge et al.
 D621,960 S 8/2010 Mugge et al.
 D625,026 S 10/2010 Mugge et al.
 D625,840 S 10/2010 Mugge
 D625,841 S 10/2010 Mugge et al.
 D625,842 S 10/2010 Mugge et al.
 D631,982 S 2/2011 Mugge et al.
 D631,983 S 2/2011 Mugge et al.
 D631,984 S 2/2011 Mugge et al.
 D632,806 S 2/2011 Mugge et al.
 D632,807 S 2/2011 Mugge et al.
 D632,808 S 2/2011 Mugge et al.
 D632,809 S 2/2011 Mugge et al.
 D632,810 S 2/2011 Mugge et al.
 D634,028 S 3/2011 Mugge et al.
 7,908,799 B2 3/2011 Mugge et al.
 D636,093 S * 4/2011 Mugge D25/113

(56)

References Cited

U.S. PATENT DOCUMENTS

D636,094 S 4/2011 Mugge
 D638,553 S 5/2011 Mugge et al.
 D638,957 S 5/2011 Mugge et al.
 D639,455 S 6/2011 Mugge et al.
 D639,456 S 6/2011 Mugge et al.
 D643,939 S 8/2011 Mugge et al.
 D643,940 S 8/2011 Mugge et al.
 D643,941 S 8/2011 Mugge et al.
 D643,942 S 8/2011 Mugge et al.
 D643,943 S 8/2011 Mugge et al.
 D645,165 S 9/2011 Wolter et al.
 D646,402 S * 10/2011 Mugge D25/113
 D650,094 S 12/2011 Mugge et al.
 D650,491 S 12/2011 Mugge et al.
 D650,492 S * 12/2011 Mugge D25/113
 D650,916 S 12/2011 Mugge et al.
 D650,917 S 12/2011 Mugge et al.
 D651,723 S * 1/2012 Mugge D25/113
 D652,953 S * 1/2012 Mugge D25/113
 D653,355 S * 1/2012 Mugge D25/113
 D653,772 S 2/2012 Mugge et al.
 D657,070 S * 4/2012 Mugge D25/113
 D657,889 S * 4/2012 Mugge D25/113
 D658,783 S * 5/2012 Mugge D25/113
 D662,224 S * 6/2012 Mugge D25/113
 D662,226 S * 6/2012 Mugge D25/113
 D662,608 S * 6/2012 Mugge D25/113
 D662,609 S * 6/2012 Mugge D25/113
 D662,610 S * 6/2012 Mugge D25/113
 D662,611 S * 6/2012 Mugge D25/113
 D666,315 S * 8/2012 Mugge D25/113
 D673,693 S 1/2013 Mugge et al.
 D673,694 S * 1/2013 Mugge D25/113
 D673,695 S * 1/2013 Mugge D25/113
 D674,511 S * 1/2013 Manthei D25/113
 D674,512 S * 1/2013 Manthei D25/113
 D676,151 S * 2/2013 Mugge D25/113
 D676,152 S * 2/2013 Mugge D25/113
 D677,801 S * 3/2013 Mugge D25/113
 D677,802 S * 3/2013 Mugge D25/113
 D678,552 S * 3/2013 Mugge D25/113
 D679,029 S * 3/2013 Mugge D25/113
 D679,833 S * 4/2013 Burnquist D25/113
 D685,923 S * 7/2013 Mugge D25/113
 D686,345 S * 7/2013 Mugge D25/113
 D687,167 S 7/2013 Mugge et al.
 D687,168 S * 7/2013 Mugge D25/113
 D687,169 S * 7/2013 Mugge D25/113
 D687,975 S * 8/2013 Mugge D25/113
 D690,835 S * 10/2013 Mugge D25/113
 D690,836 S * 10/2013 Mugge D25/113
 D690,837 S * 10/2013 Mugge D25/113
 D693,481 S * 11/2013 Johnson D25/113
 D696,425 S * 12/2013 Mugge D25/113
 D698,041 S * 1/2014 Burnquist D25/113
 D698,464 S * 1/2014 Mugge D25/113
 D698,942 S * 2/2014 Mugge D25/113

D699,866 S * 2/2014 Mugge D25/113
 D700,716 S * 3/2014 Harter D25/113
 D703,346 S * 4/2014 Johnson D25/113
 D703,838 S * 4/2014 Mugge D25/113
 D705,951 S 5/2014 Mugge et al.
 D706,958 S * 6/2014 Mugge D25/113
 D711,015 S * 8/2014 Johnson D25/113
 D711,017 S * 8/2014 Mugge D25/113
 D713,057 S * 9/2014 Mugge D25/113
 D722,390 S * 2/2015 Mugge D25/113
 D722,391 S 2/2015 Mugge et al.
 D722,392 S * 2/2015 Mugge D25/113
 D722,706 S * 2/2015 Johnson D25/113
 D728,830 S * 5/2015 Johnson D25/113
 D729,412 S * 5/2015 Mugge D25/113
 D729,415 S * 5/2015 Burnquist D25/113
 D739,041 S * 9/2015 Karau D25/113
 D739,561 S * 9/2015 Karau D25/113
 D742,539 S * 11/2015 Mugge D25/113
 D743,054 S * 11/2015 Mugge D25/113
 D743,055 S * 11/2015 MacDonald D25/113
 D743,576 S * 11/2015 Mugge D25/113
 D749,237 S * 2/2016 Johnson D25/113
 D751,731 S * 3/2016 Mugge D25/113
 D764,685 S * 8/2016 Mugge D25/113
 D765,270 S * 8/2016 MacDonald D25/113
 D765,880 S * 9/2016 MacDonald D25/113
 D766,464 S * 9/2016 MacDonald D25/113
 D768,876 S * 10/2016 Lindberg D25/113
 D783,860 S * 4/2017 Mugge D25/113
 2003/0126821 A1 7/2003 Scherer
 2004/0218985 A1 11/2004 Klettenberg et al.
 2005/0102949 A1 5/2005 Whitson
 2005/0144883 A1 7/2005 Hopson et al.
 2006/0110223 A1 5/2006 Dawson et al.
 2008/0168725 A1 7/2008 Malone
 2009/0249718 A1 * 10/2009 Tyler E04F 13/147
 52/250
 2016/0108623 A1 * 4/2016 Attebery, II E04F 13/007
 52/302.1

FOREIGN PATENT DOCUMENTS

GB 944066 12/1963
 GB 2 232 114 A 12/1990
 GB 2092493 5/2000
 GB 2092499 5/2000
 GB 2092500 5/2000
 GB 2092501 5/2000
 WO WO 03/060251 7/2003

OTHER PUBLICATIONS

“Slab Molds, Dream Molds ,” *KOBRA Formen GmbH*, 2 pages, published before Aug. 6, 2007.
 Office Action in Australia (Examination Report No. 1) for corresponding AU Design Reg. 307701, dated Mar. 14, 2007.

* cited by examiner

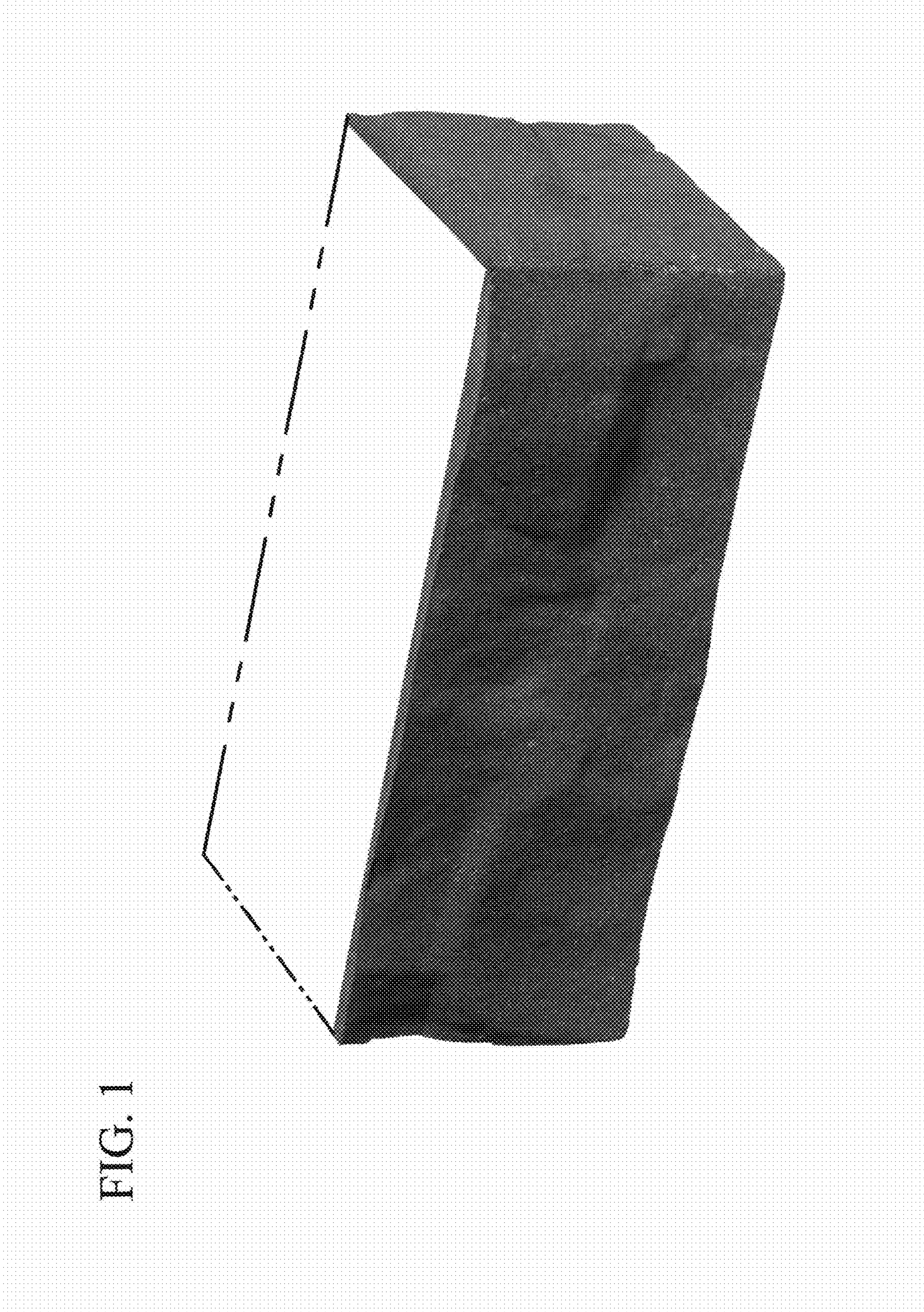
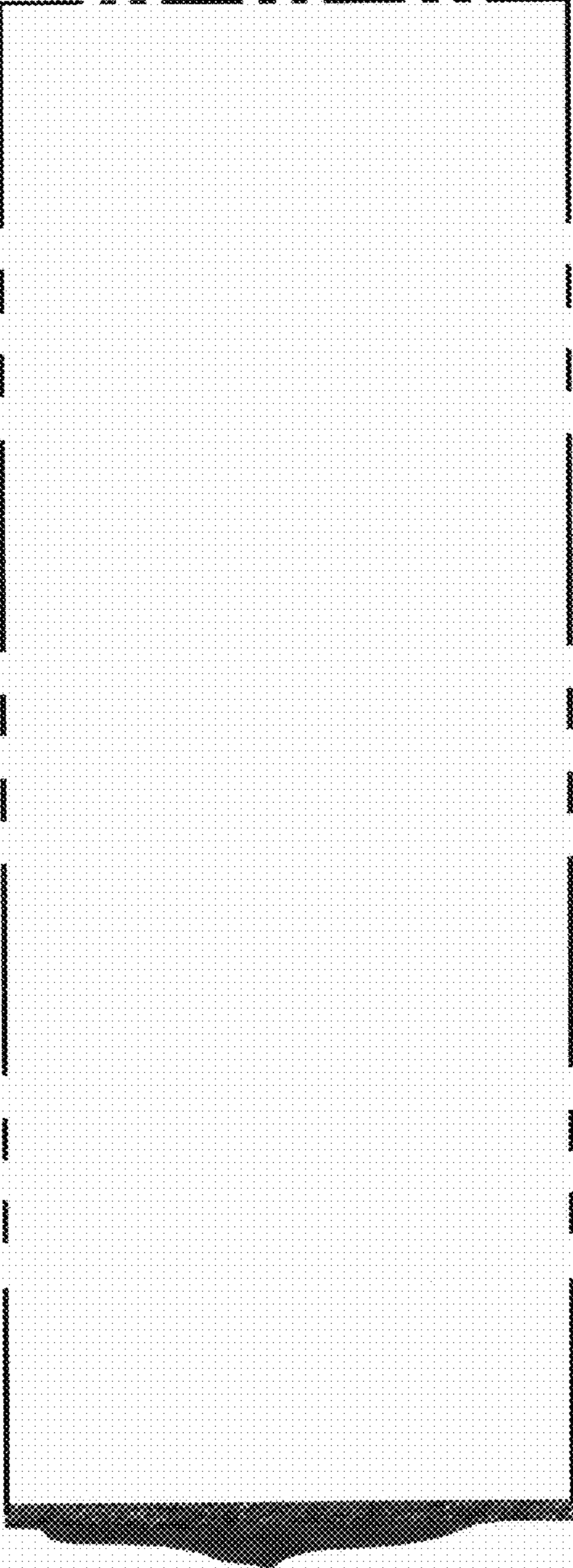


FIG. 1



FIG. 2

FIG. 3



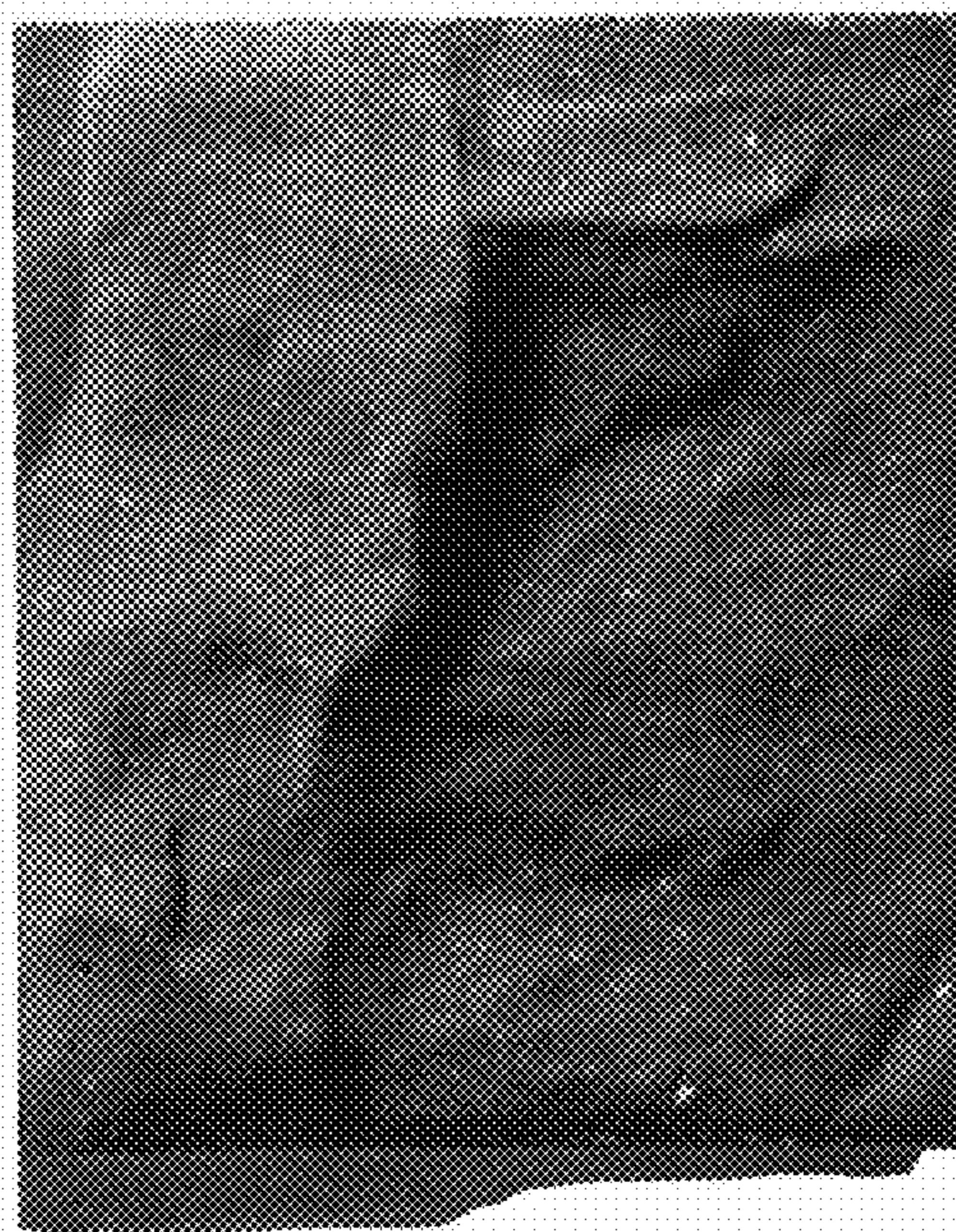


FIG. 4

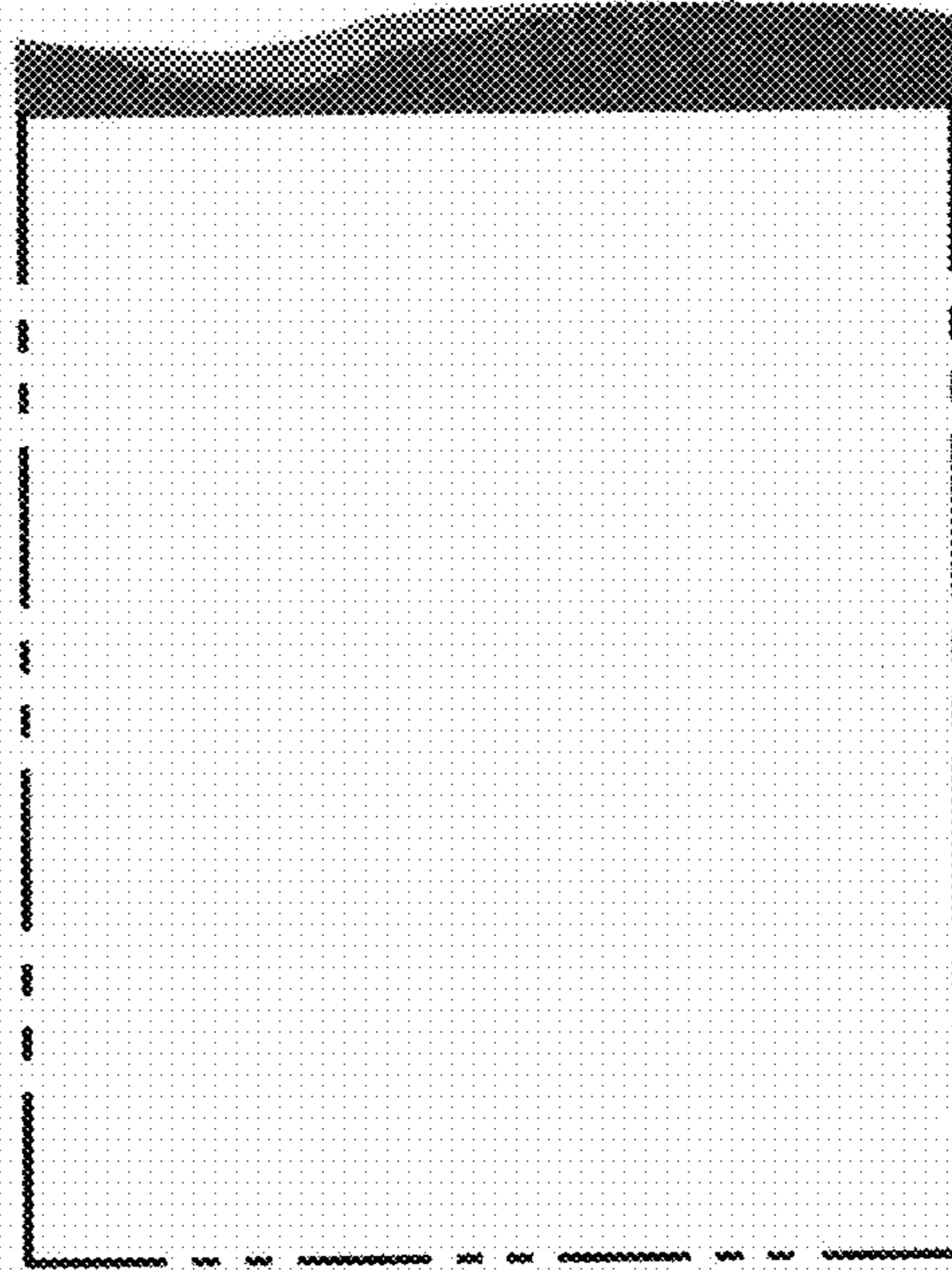


FIG. 5

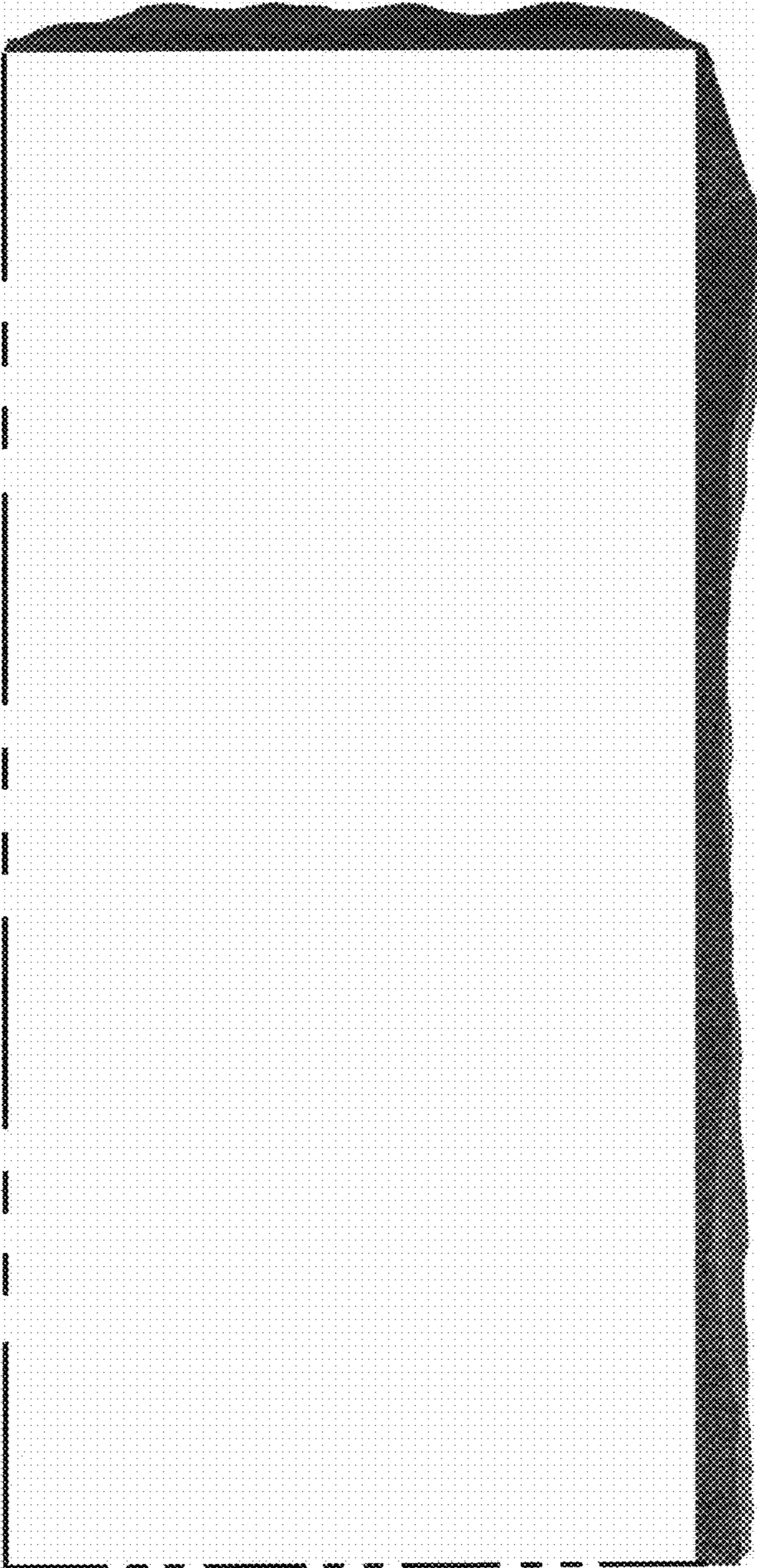


FIG. 6

FIG. 7

