



US00D820471S

(12) **United States Design Patent** (10) **Patent No.:** **US D820,471 S**  
**Tamilow et al.** (45) **Date of Patent:** **\*\* Jun. 12, 2018**

(54) **EARTHQUAKE SHOCK ABSORBER**

(71) Applicants: **Robert Tamilow**, Richmond, CA (US);  
**Louis Tamilow**, Richmond, CA (US)

(72) Inventors: **Robert Tamilow**, Richmond, CA (US);  
**Louis Tamilow**, Richmond, CA (US)

(\*\*) Term: **15 Years**

(21) Appl. No.: **29/590,519**

(22) Filed: **Jan. 11, 2017**

(51) **LOC (11) Cl.** ..... **25-04**

(52) **U.S. Cl.**  
USPC ..... **D25/62**

(58) **Field of Classification Search**  
USPC ... D25/1, 42, 43, 44, 45, 62, 63, 64, 65, 66,  
D25/67, 68, 69; D12/159, 168;  
D15/138, 139, 140, 141; 52/145  
CPC . E04B 1/98; E04B 1/985; E04H 9/021; E04H  
2009/026; E04H 9/02; E04H 9/14; B41J  
29/08; B60G 2206/41; E02D 27/34;  
E02D 5/80; H02B 1/54  
See application file for complete search history.

(56) **References Cited**

**U.S. PATENT DOCUMENTS**

D295,736 S \* 5/1988 Dickey ..... D12/159  
D299,468 S \* 1/1989 Ronkainen ..... D15/141  
D330,356 S \* 10/1992 Tapio ..... D12/159  
D374,089 S \* 9/1996 Meadows ..... D25/68  
D428,158 S \* 7/2000 Pekin ..... D25/1

D442,699 S \* 5/2001 Myer, III ..... D25/62  
D722,542 S \* 2/2015 Ikeda ..... D12/159  
D780,643 S \* 3/2017 Hare ..... D12/159  
D786,456 S \* 5/2017 Bokros ..... D25/68  
2013/0174501 A1\* 7/2013 Michael ..... F16F 9/303  
52/167.1  
2017/0207608 A1\* 7/2017 Eder ..... H02B 1/54  
2017/0342708 A1\* 11/2017 Hensley ..... E04B 1/6813  
2018/0072124 A1\* 3/2018 Lin ..... B60G 15/063

\* cited by examiner

*Primary Examiner* — Thomas Johannes  
*Assistant Examiner* — Samantha Q. Lawrence  
(74) *Attorney, Agent, or Firm* — Steven A. Nielsen;  
www.NielsenPatents.com

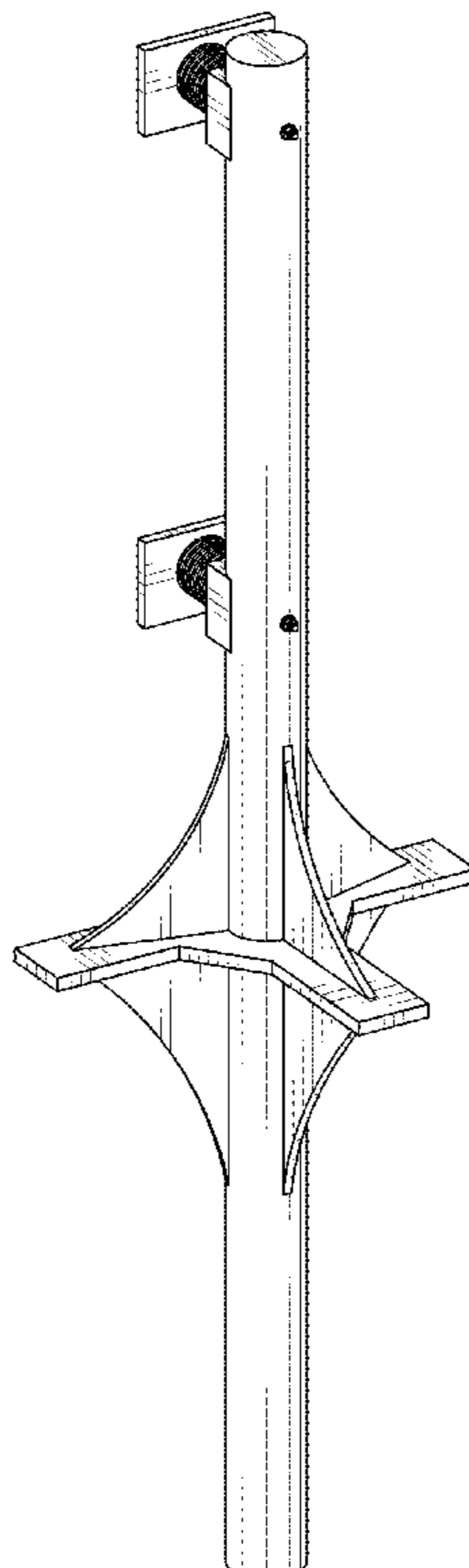
(57) **CLAIM**

The ornamental design for an earthquake shock absorber, as shown and described.

**DESCRIPTION**

FIG. 1 is a top and side perspective view of an earthquake shock absorber showing a new design;  
FIG. 2 is a front view thereof;  
FIG. 3 is a back view thereof;  
FIG. 4 is a right side view thereof;  
FIG. 5 is a left side view thereof;  
FIG. 6 is a top view thereof; and,  
FIG. 7 is a bottom view thereof.

**1 Claim, 4 Drawing Sheets**



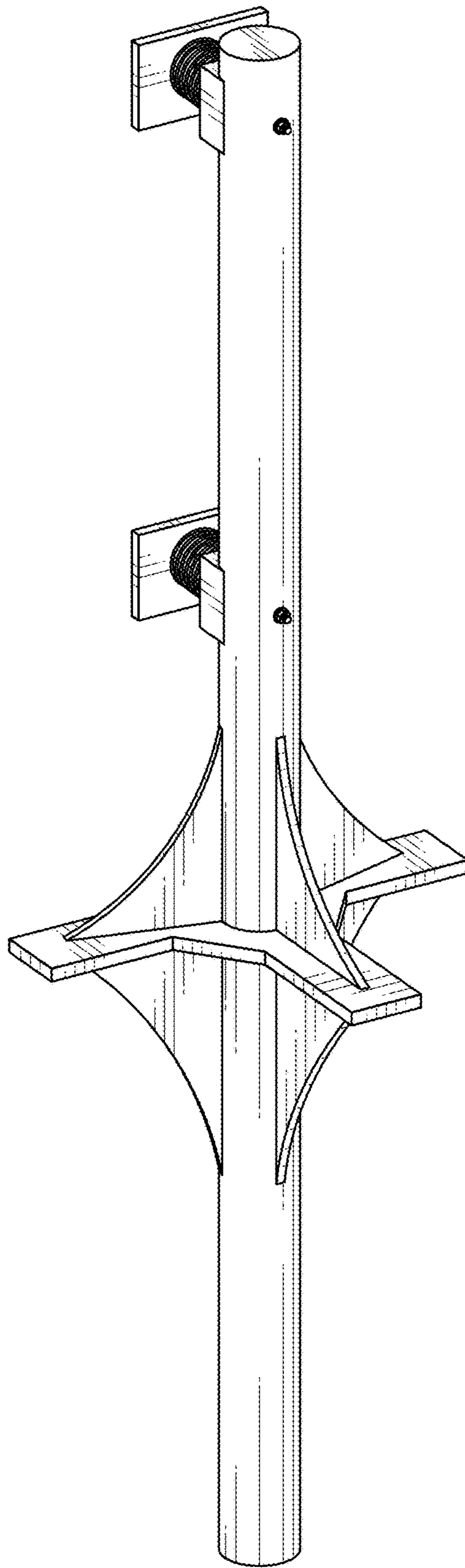


FIG. 1

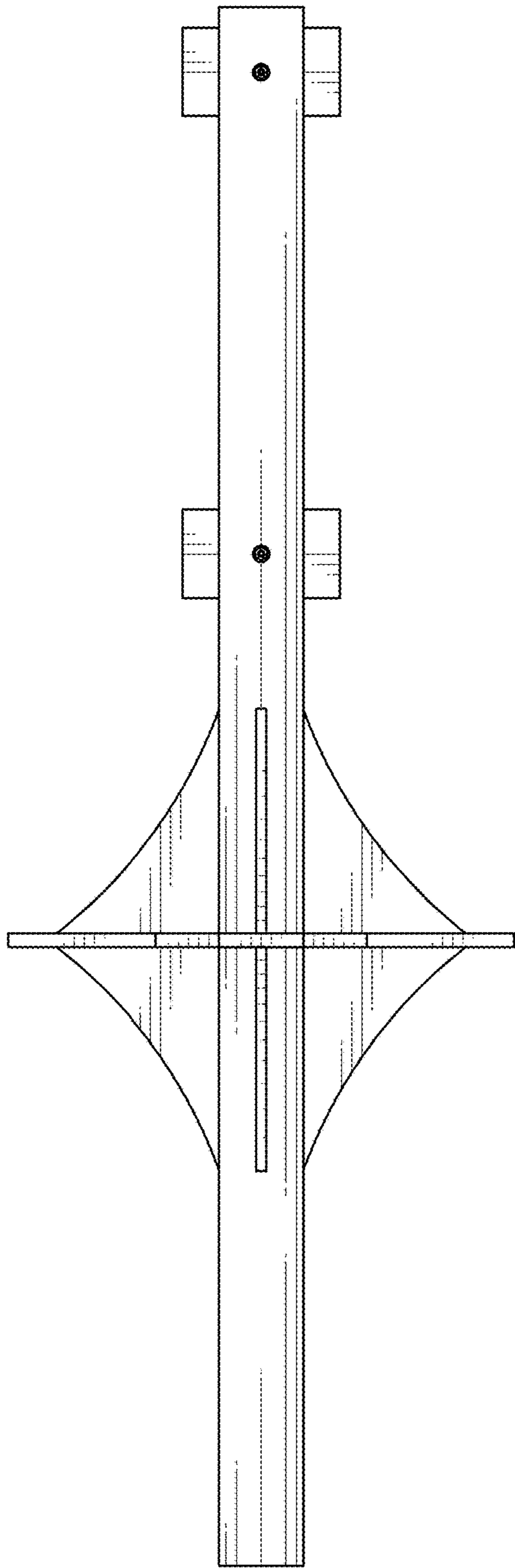


FIG. 2

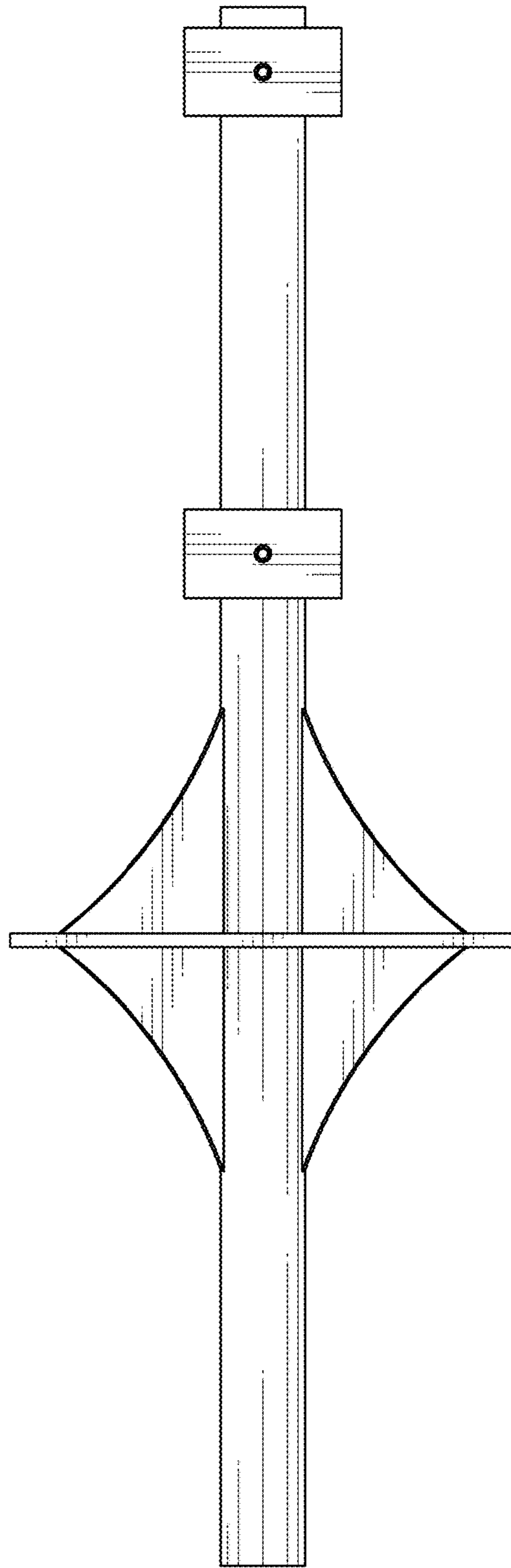


FIG. 3

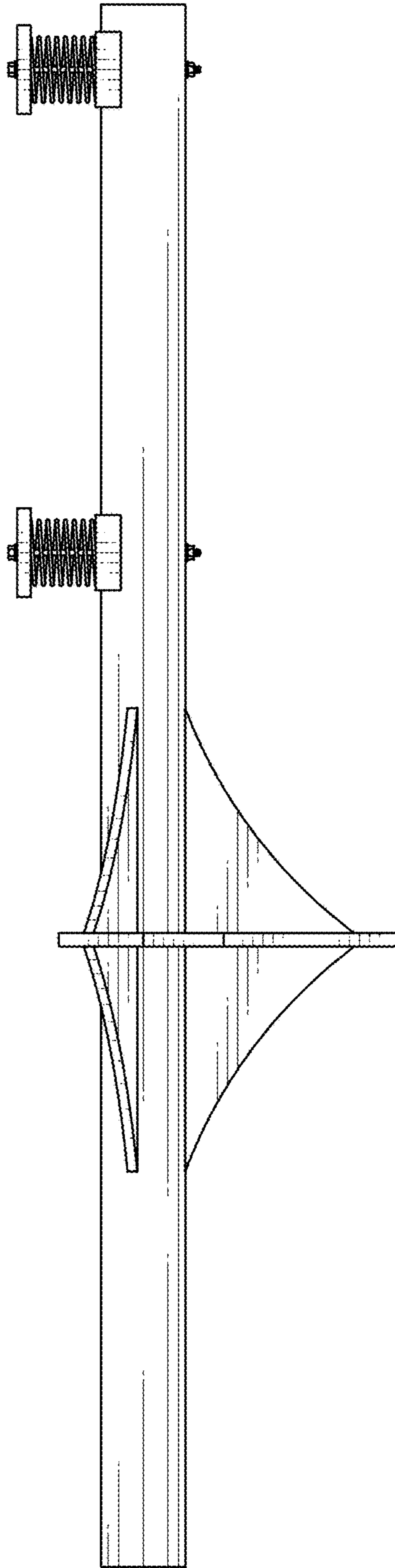


FIG. 4

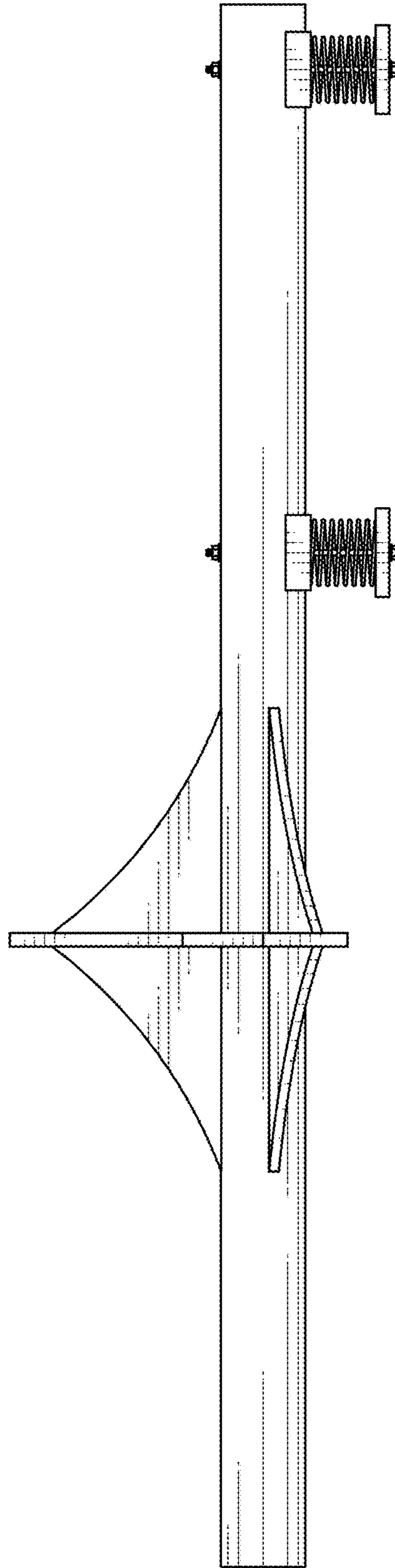


FIG. 5

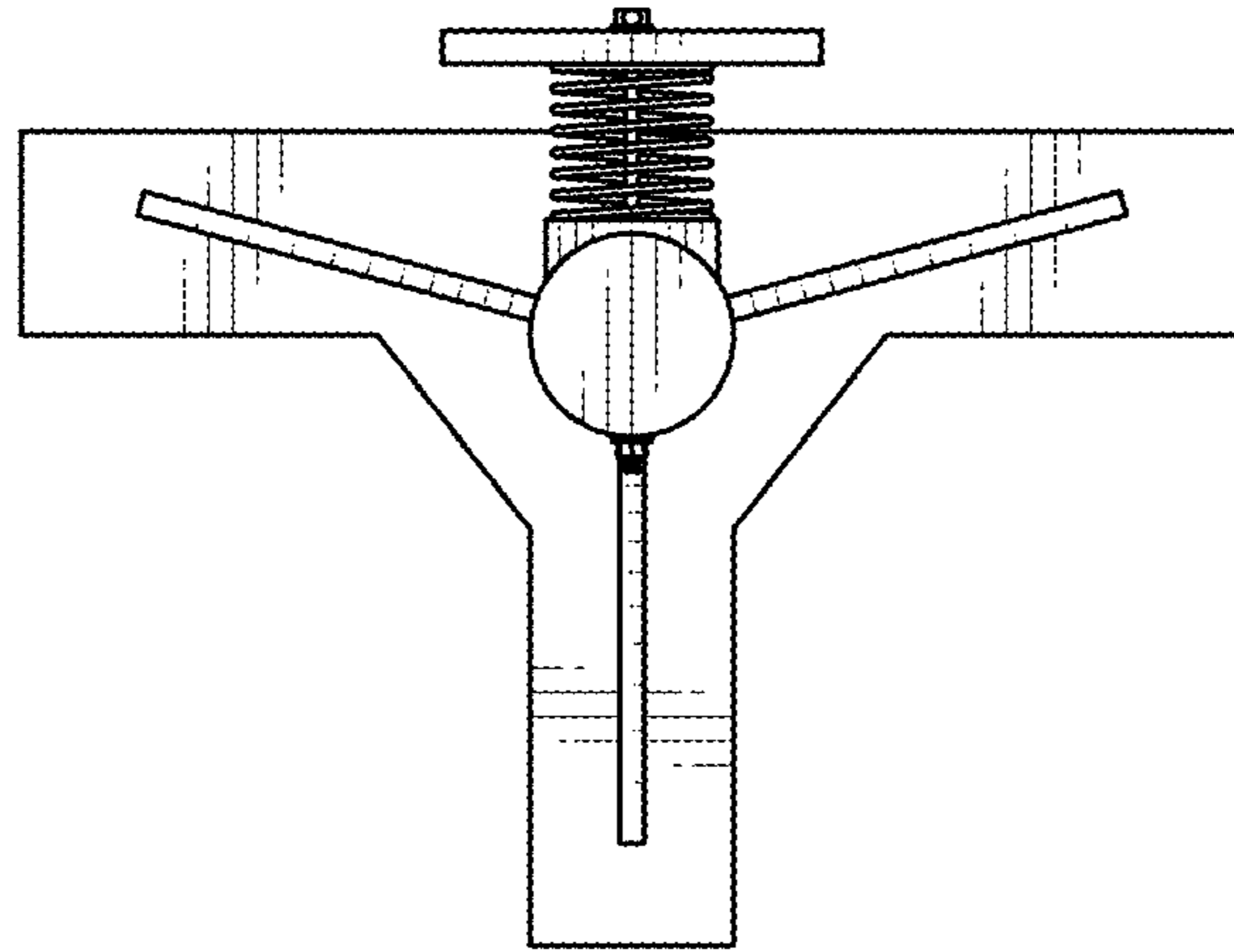


FIG. 6

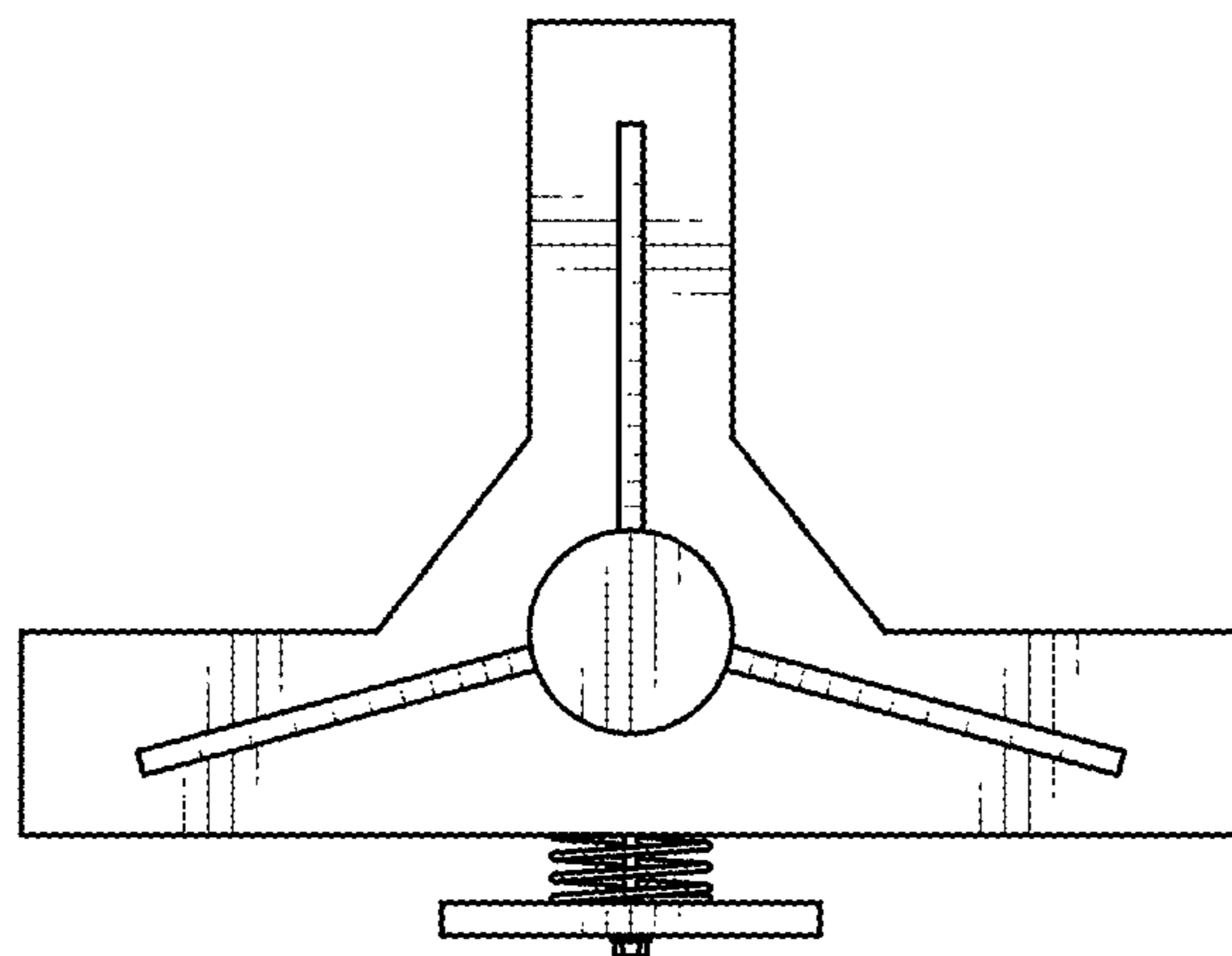


FIG. 7