



US00D820470S

(12) **United States Design Patent**
Chapman

(10) **Patent No.:** **US D820,470 S**
(45) **Date of Patent:** **** Jun. 12, 2018**

(54) **HIGH DAM OUTSWING SILL CAP**

FOREIGN PATENT DOCUMENTS

(71) Applicant: **Global Products International Group, LLC**, Atlanta, GA (US)

CN 301532090 * 4/2011

(72) Inventor: **G. Paul Chapman**, Cumming, GA (US)

OTHER PUBLICATIONS

<http://gpimillworks.com/wp-content/uploads/2017/04/2017-Product-Book-20170403.pdf> Uploaded Apr. 3, 2017.*

(73) Assignee: **Global Products International Group, LLC**, Atlanta, GA (US)

Primary Examiner — Susan Bennett Hattan
Assistant Examiner — Leanne Was-Englehart
(74) *Attorney, Agent, or Firm* — Thomas | Horstemeyer, LLP

(**) Term: **15 Years**

(21) Appl. No.: **29/588,539**

(57) **CLAIM**

The ornamental design for a high dam outswing sill cap, as shown and described.

(22) Filed: **Dec. 21, 2016**

(51) **LOC (11) Cl.** **25-02**

DESCRIPTION

(52) **U.S. Cl.**

USPC **D25/48.2**

(58) **Field of Classification Search**

USPC D25/48.2, 48.3, 60, 119, 124, 125, 136,
D25/164, 199; 49/407, 411, 467-471,
49/475.1

CPC E06B 1/70; E06B 7/2314; E06B 2001/707;
E06B 3/9632

See application file for complete search history.

FIG. 1 is a front upper perspective view of a high dam outswing sill cap according to a first embodiment of the disclosure;
FIG. 2 is a front lower perspective view thereof;
FIG. 3 is a top view thereof;
FIG. 4 is a left side view thereof;
FIG. 5 is a right side view thereof;
FIG. 6 is a bottom view thereof;
FIG. 7 is a front view thereof;
FIG. 8 is a rear view thereof; and
FIG. 9 is a front upper perspective view of a high dam outswing sill cap according to a second embodiment of the disclosure;
FIG. 10 is a front lower perspective view thereof;
FIG. 11 is a top view thereof;
FIG. 12 is a left side view thereof;
FIG. 13 is a right side view thereof;
FIG. 14 is a bottom view thereof;
FIG. 15 is a front view thereof; and,
FIG. 16 is a rear view thereof.

The broken lines are for the purpose of illustrating environment only and form no part of the claimed design.

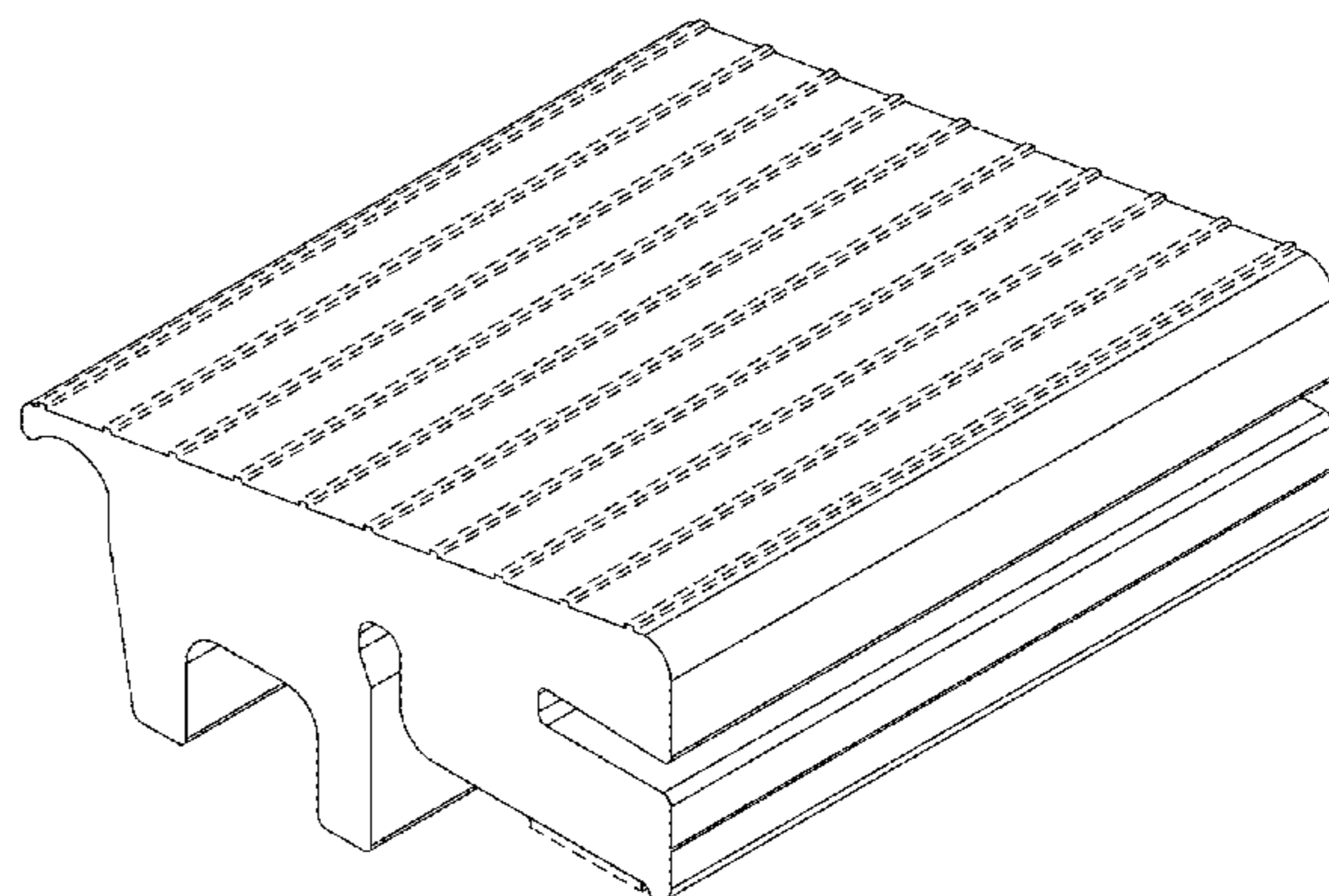
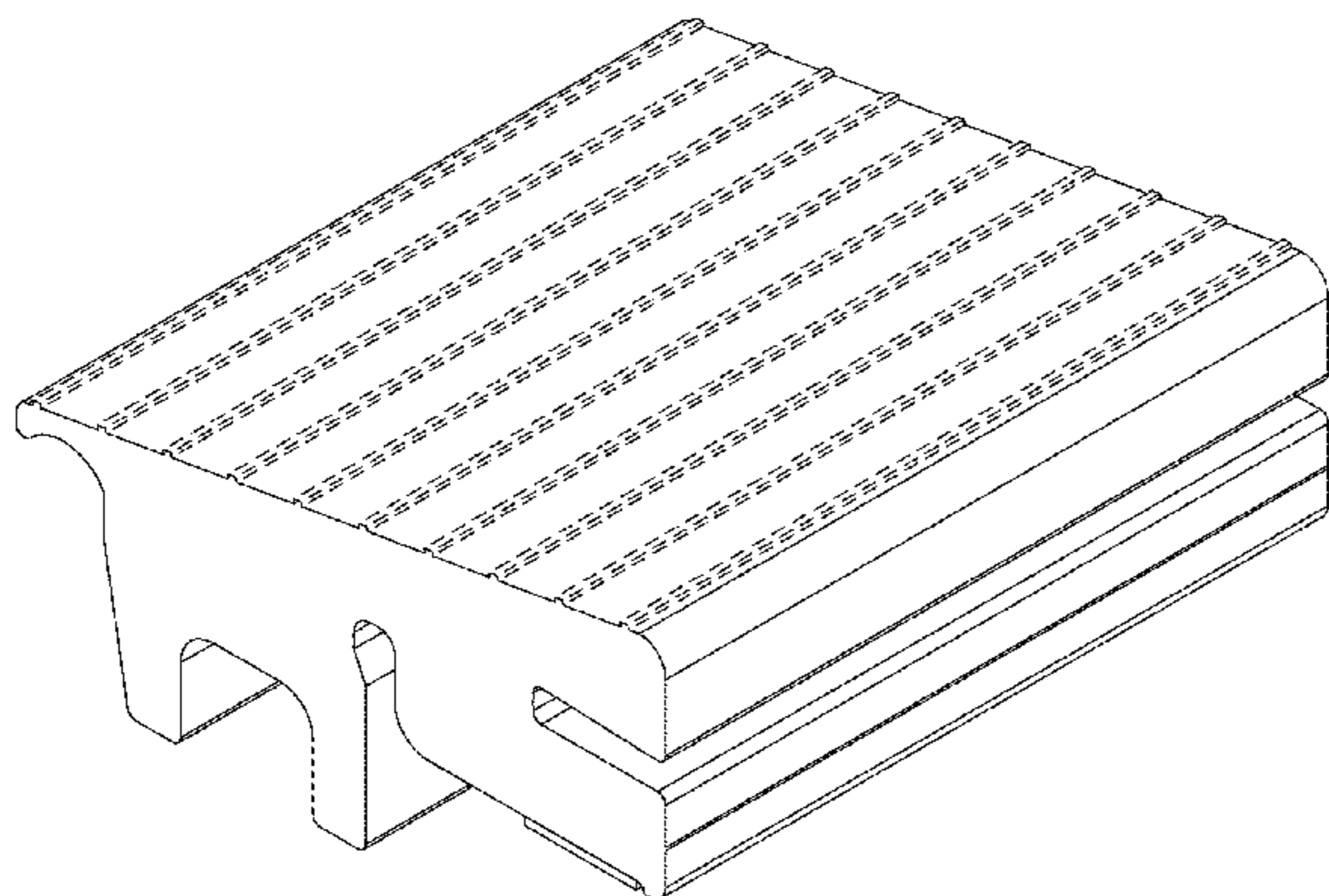
(56) **References Cited**

U.S. PATENT DOCUMENTS

3,382,617	A *	5/1968	St Aubin	E06B 1/70 49/468
3,900,967	A	8/1975	Bursk et al.		
5,018,307	A	5/1991	Burrous et al.		
D354,572	S	1/1995	Headrick		
5,426,894	A	6/1995	Headrick		
5,588,266	A	12/1996	Headrick		
5,611,173	A	3/1997	Headrick et al.		
5,943,825	A	8/1999	Procton et al.		
6,216,395	B1	4/2001	Kelly		
6,345,477	B1	2/2002	Kepler et al.		
6,367,201	B1	4/2002	Massey et al.		

(Continued)

1 Claim, 10 Drawing Sheets



(56)

References Cited

U.S. PATENT DOCUMENTS

6,367,865	B1	4/2002	Royse	
D460,563	S *	7/2002	Babka	D25/48.2
6,491,326	B1	12/2002	Massey et al.	
D474,844	S *	5/2003	Babka	D25/48.2
D474,845	S	5/2003	Babka et al.	
D488,243	S	4/2004	Babka et al.	
6,789,358	B2	9/2004	Procton et al.	
7,266,929	B1	9/2007	Allred et al.	
7,350,336	B2	4/2008	Bennett	
7,472,516	B2	1/2009	Pepper et al.	
D627,488	S	11/2010	Abdollahzadeh et al.	
D638,142	S	5/2011	Van Camp et al.	
D638,143	S	5/2011	Procton et al.	
8,413,383	B2	4/2013	Van Camp et al.	
8,490,332	B2	7/2013	Van Camp et al.	
8,522,483	B2	9/2013	Van Camp et al.	
8,567,128	B2	10/2013	Van Camp et al.	
8,739,469	B1	6/2014	Fortun et al.	
D722,387	S	2/2015	Van Camp	
D722,388	S	2/2015	Van Camp	
8,966,823	B1	3/2015	Van Camp	
8,991,100	B2	3/2015	Van Camp et al.	
8,991,101	B2	3/2015	Van Camp et al.	
9,051,777	B2	6/2015	Van Camp et al.	
D733,926	S	7/2015	Van Camp et al.	
D733,927	S	7/2015	Van Camp	
9,371,682	B2	6/2016	Van Camp et al.	
D766,458	S *	9/2016	Chapman	D25/48.2
2016/0265264	A1	9/2016	Van Camp et al.	

* cited by examiner

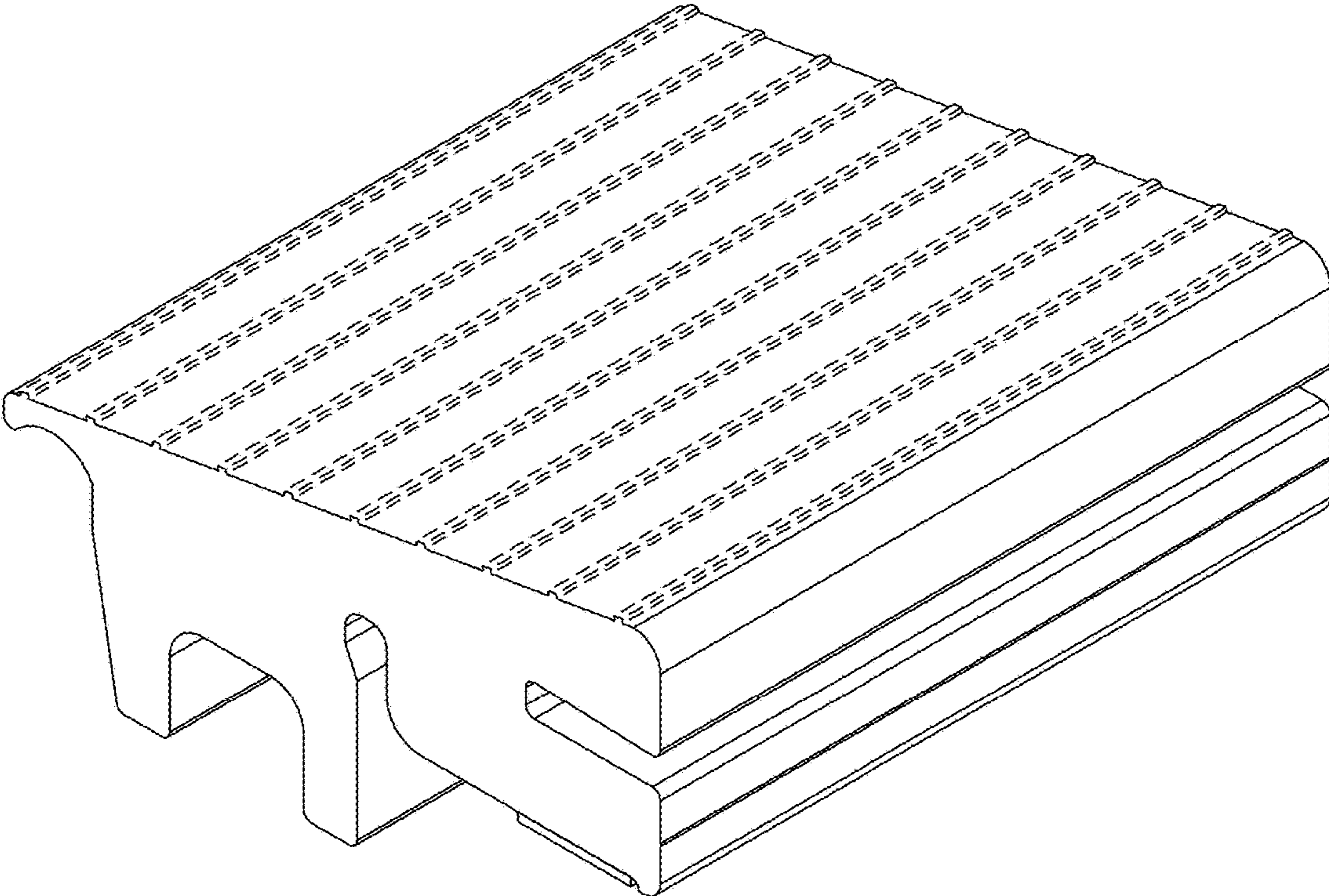


FIG. 1

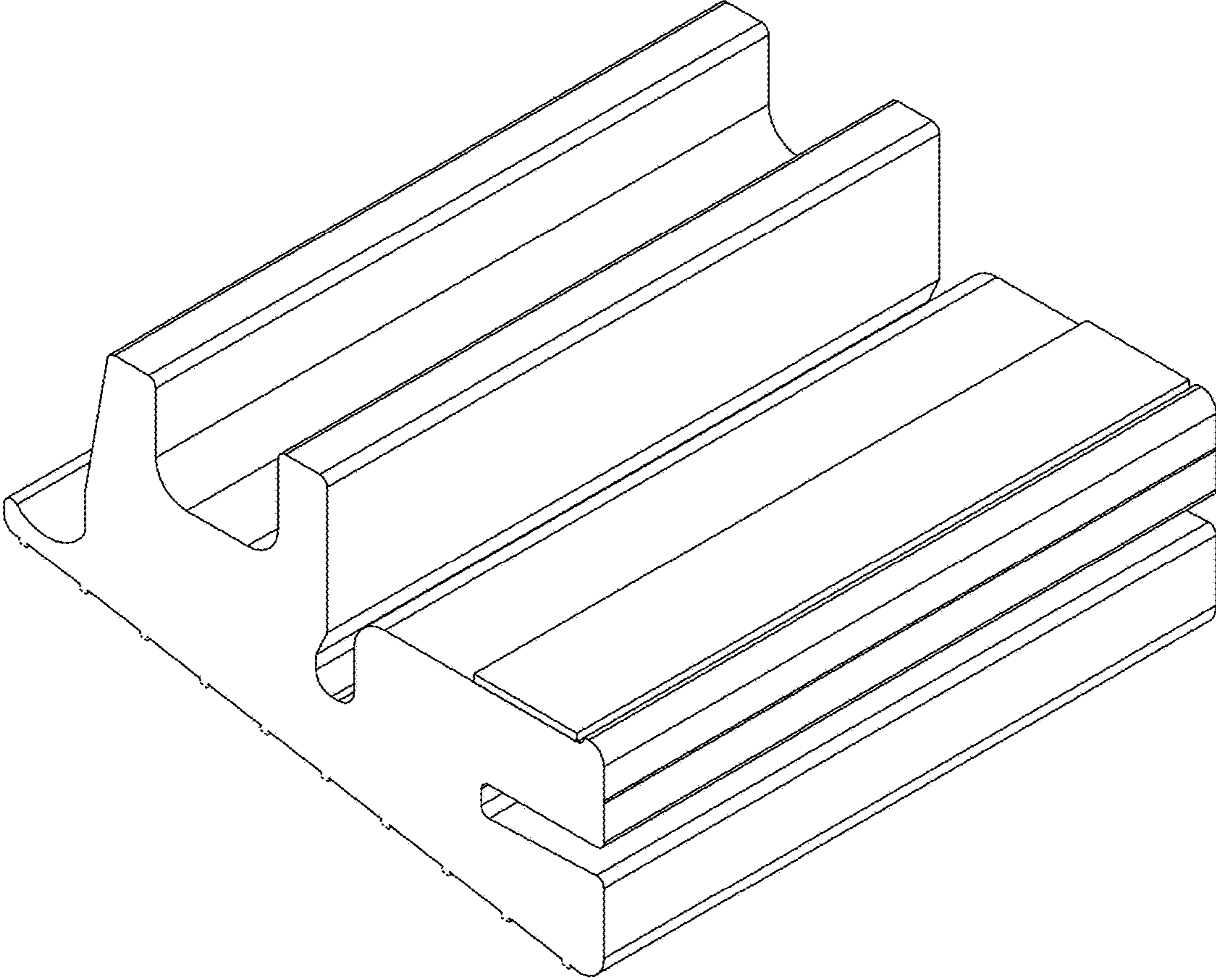


FIG. 2

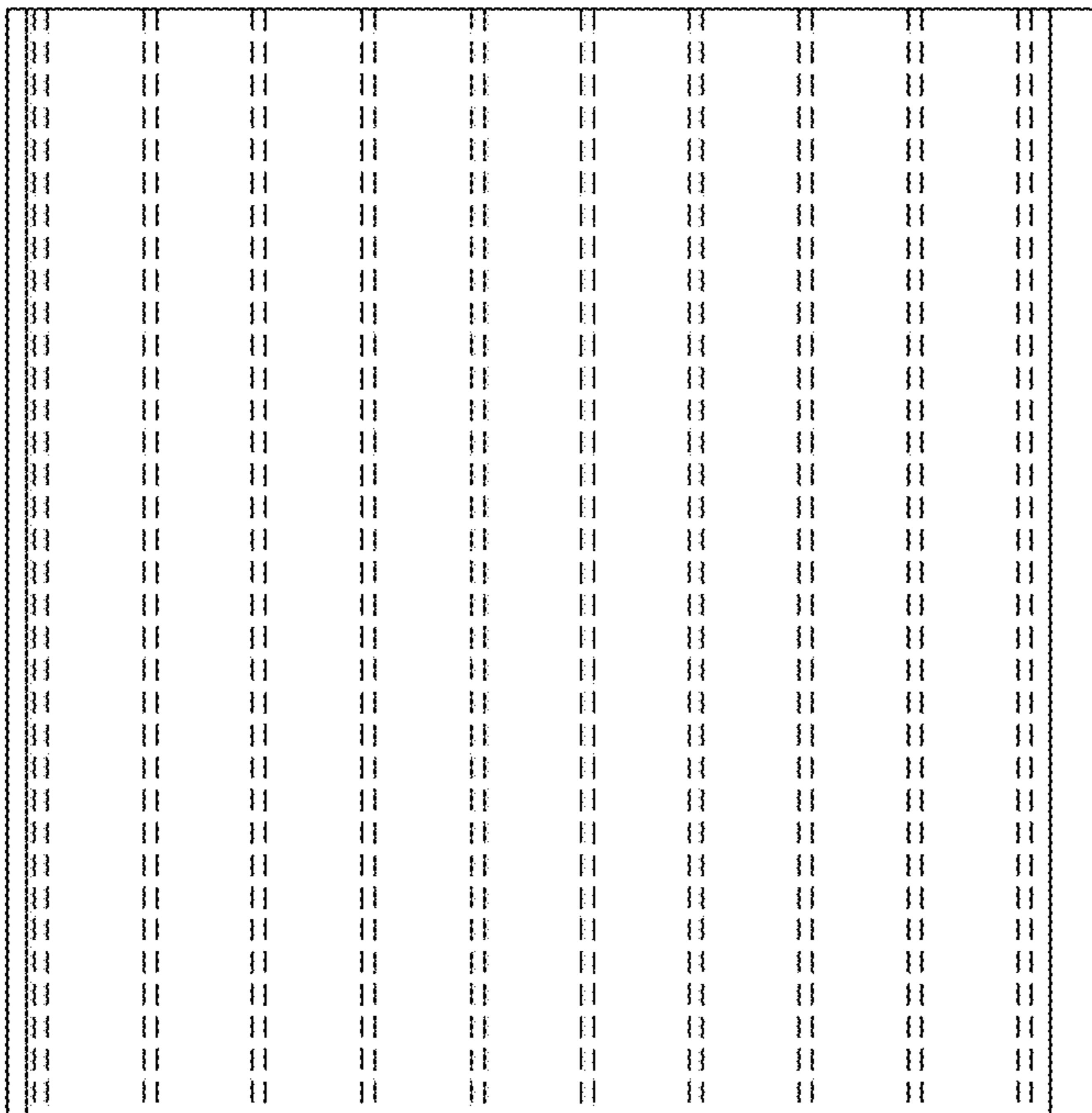


FIG. 3

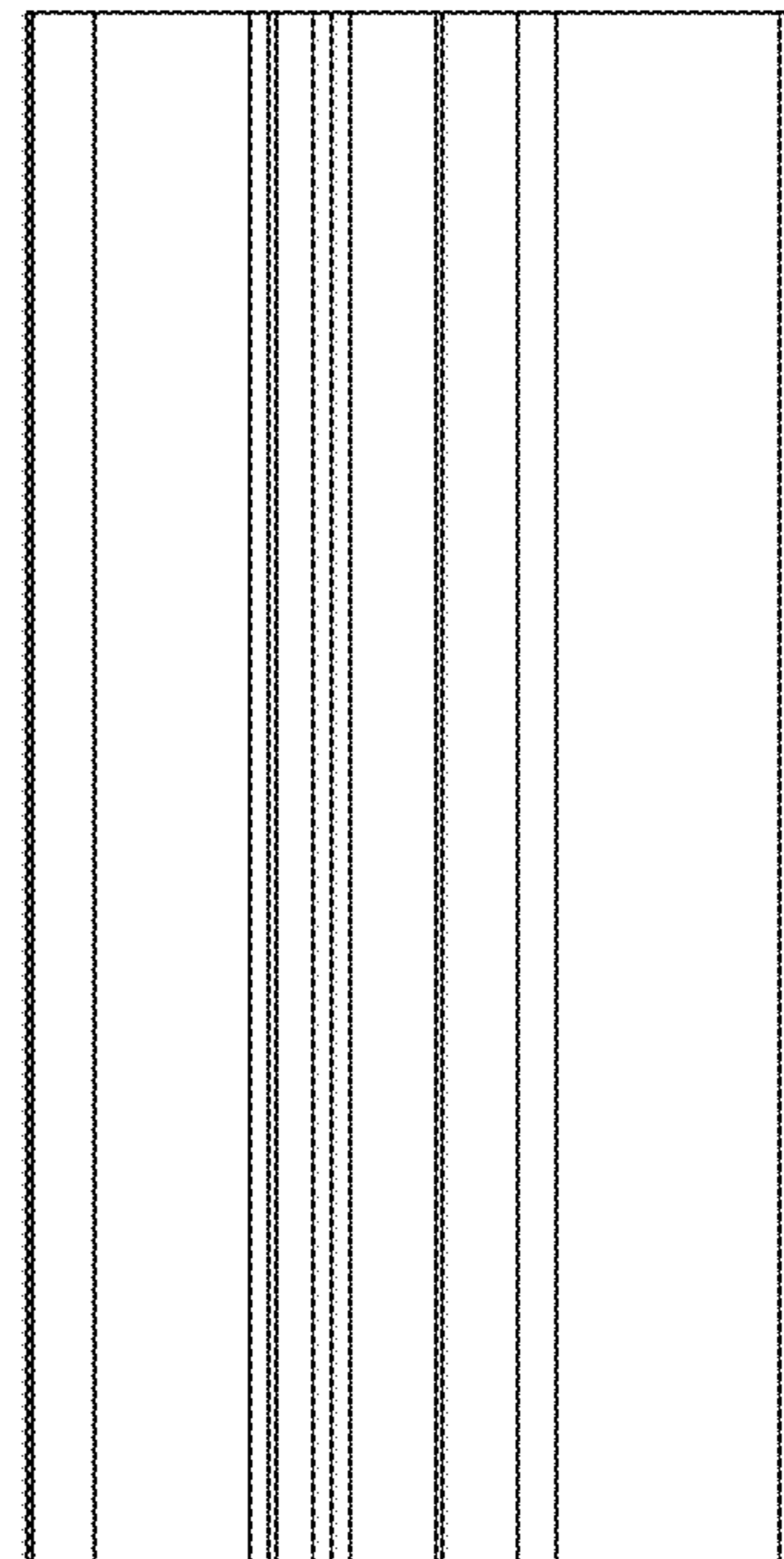


FIG. 4

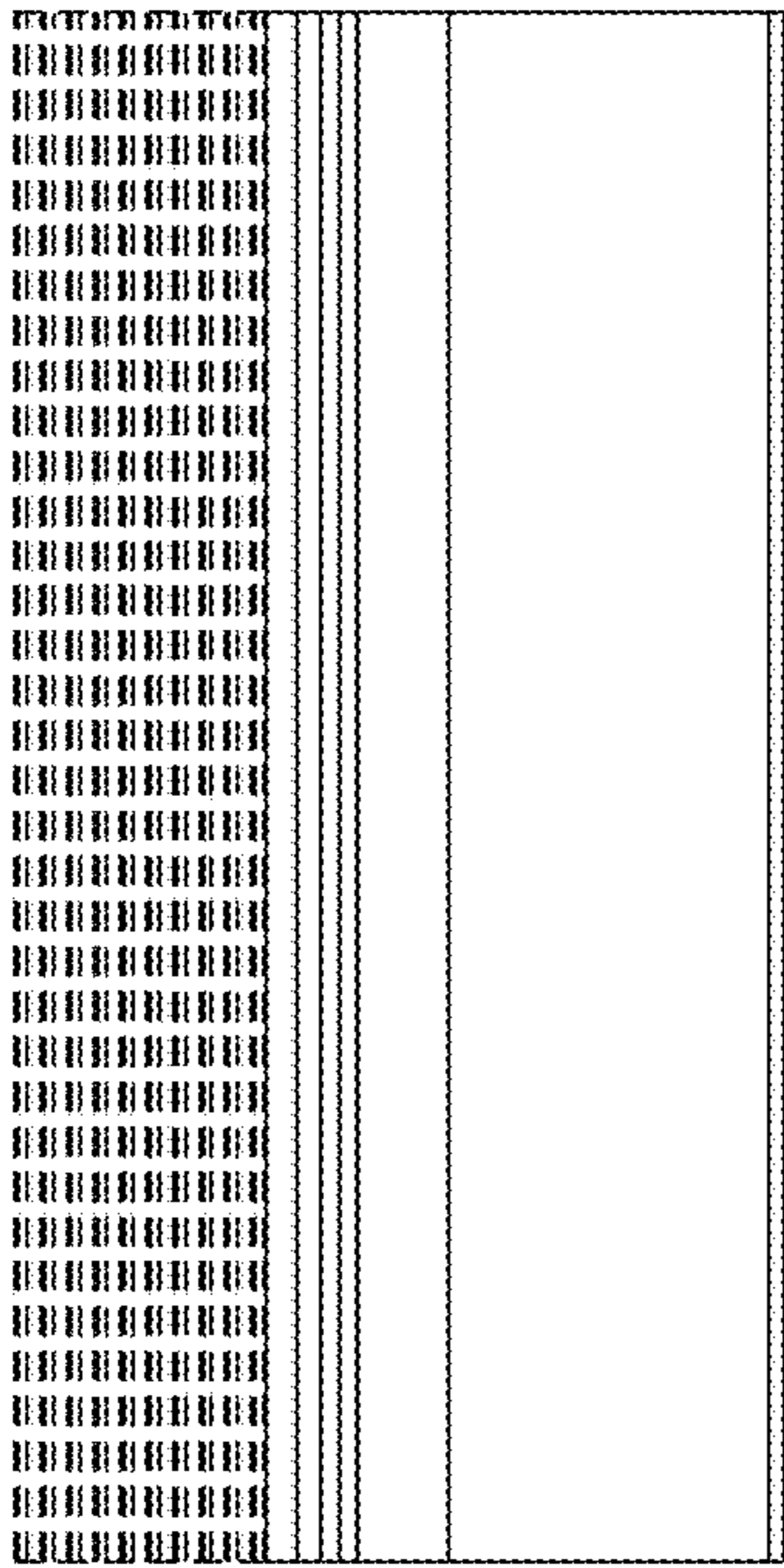


FIG. 5

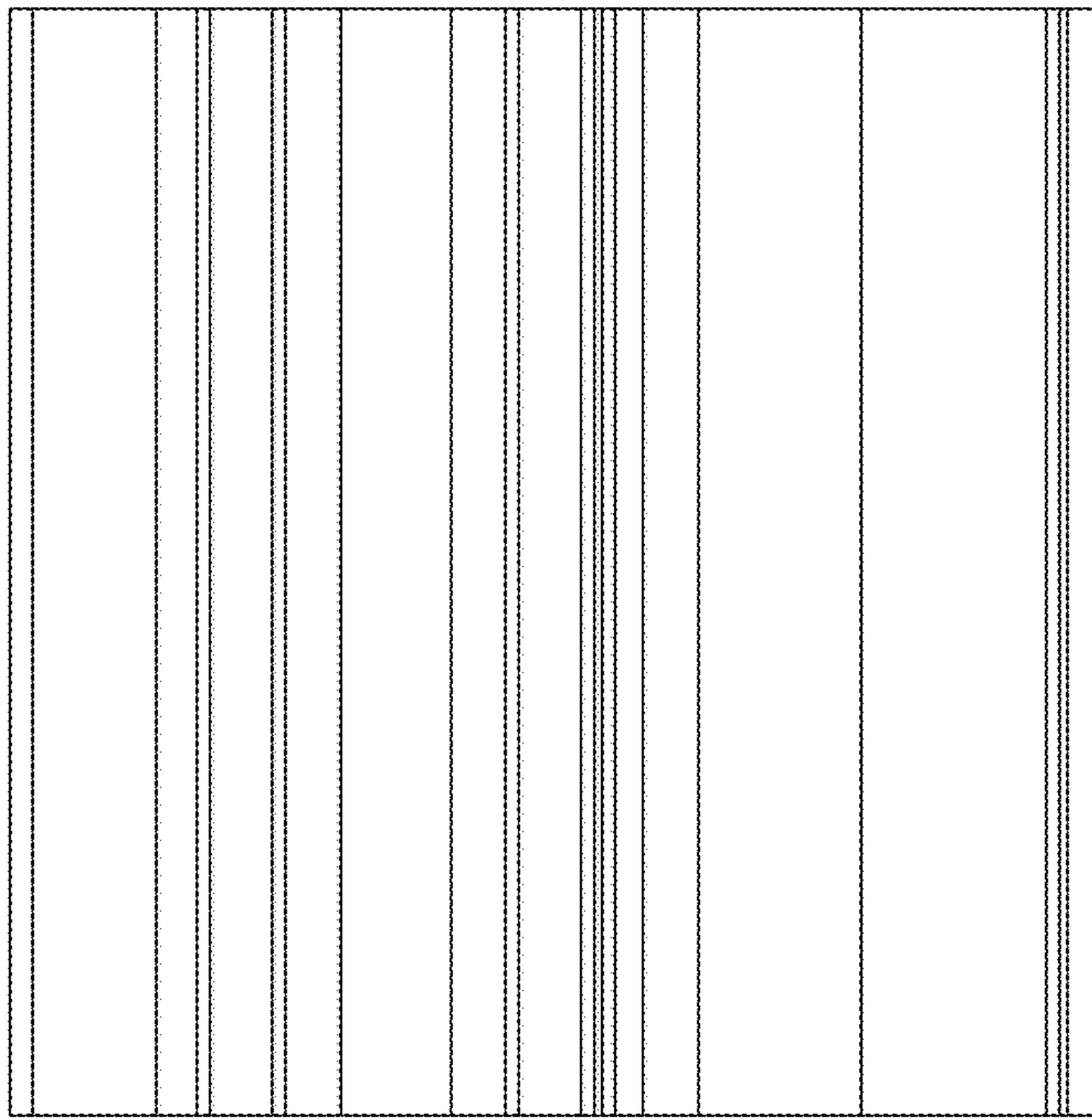


FIG. 6

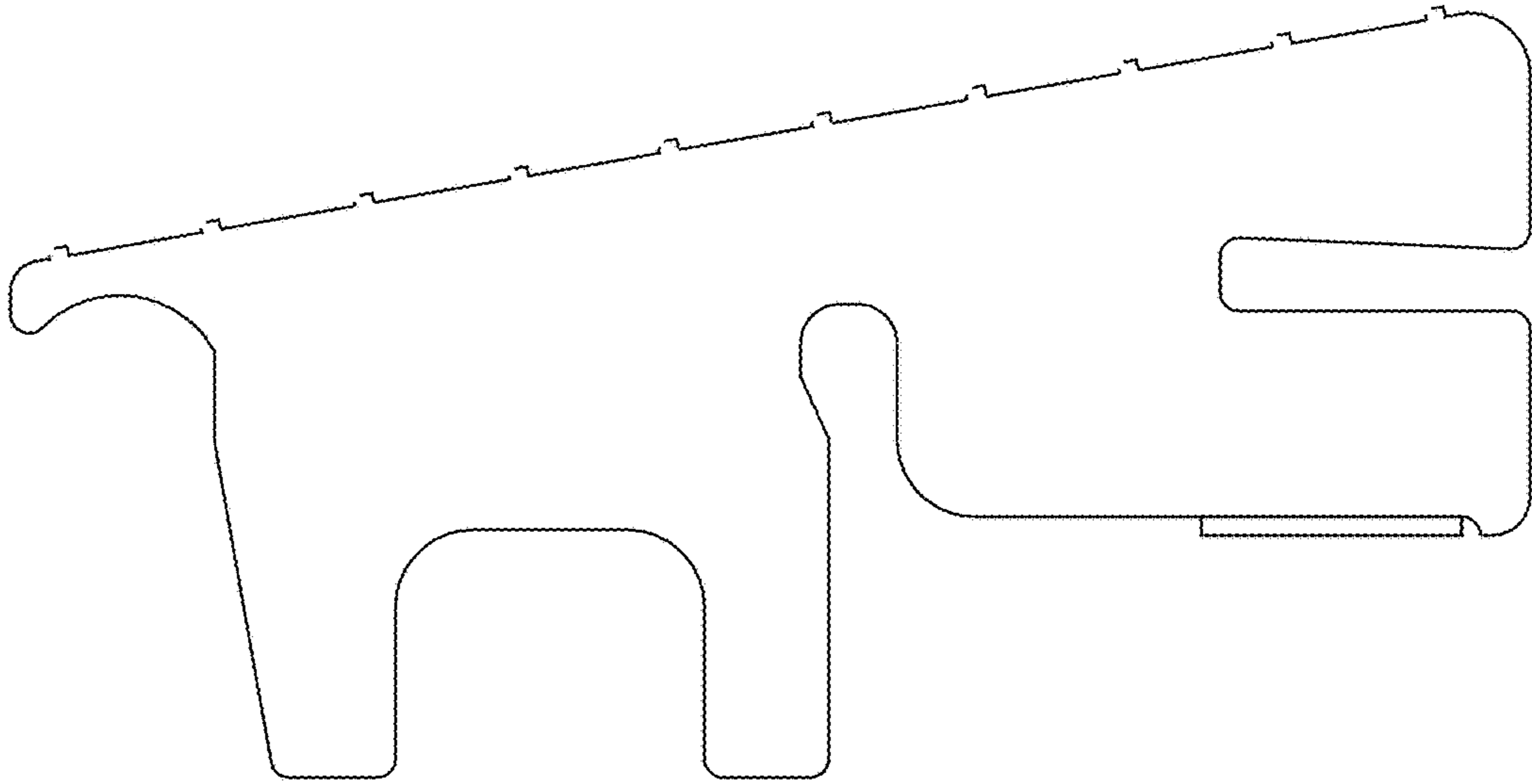


FIG. 7

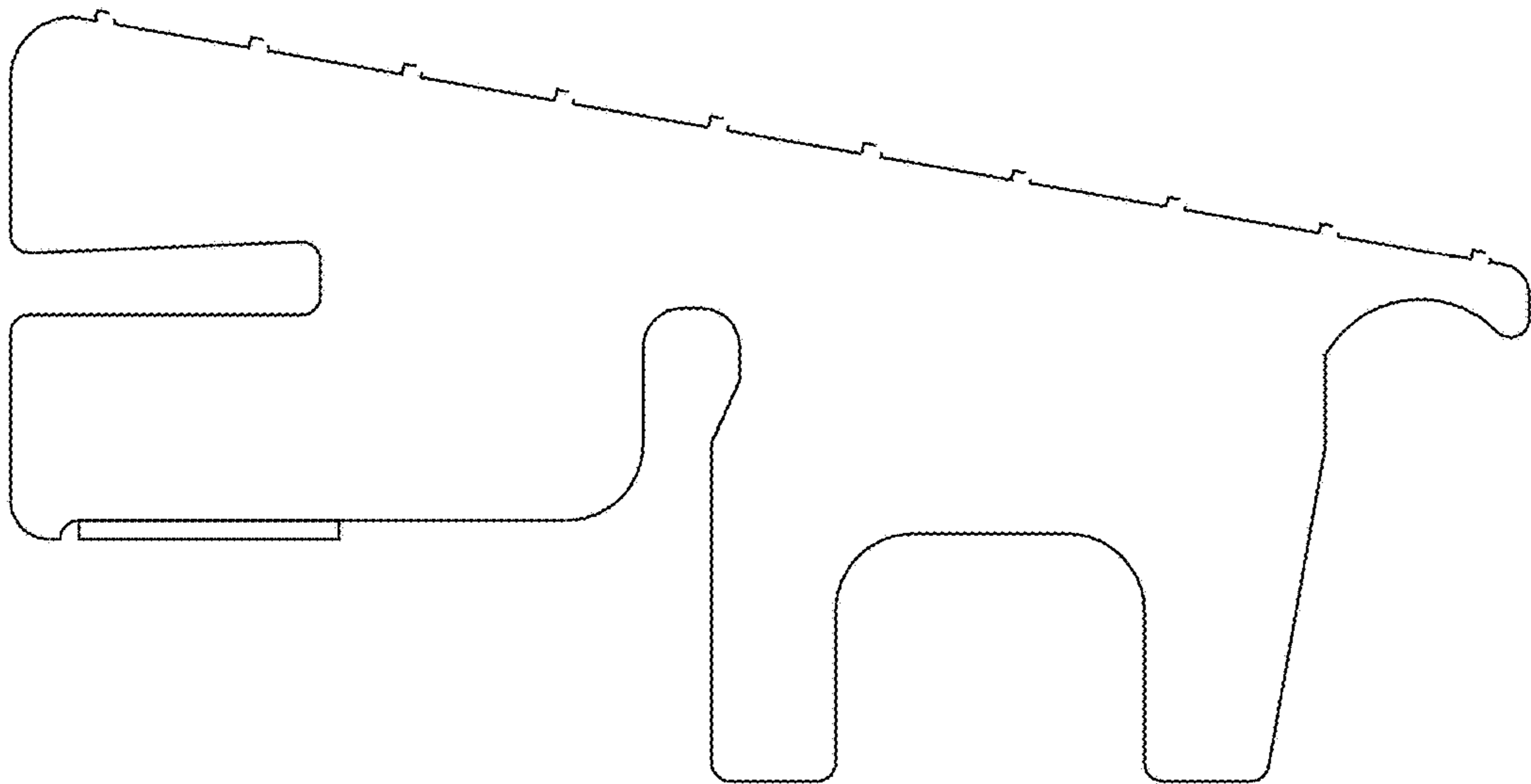


FIG. 8

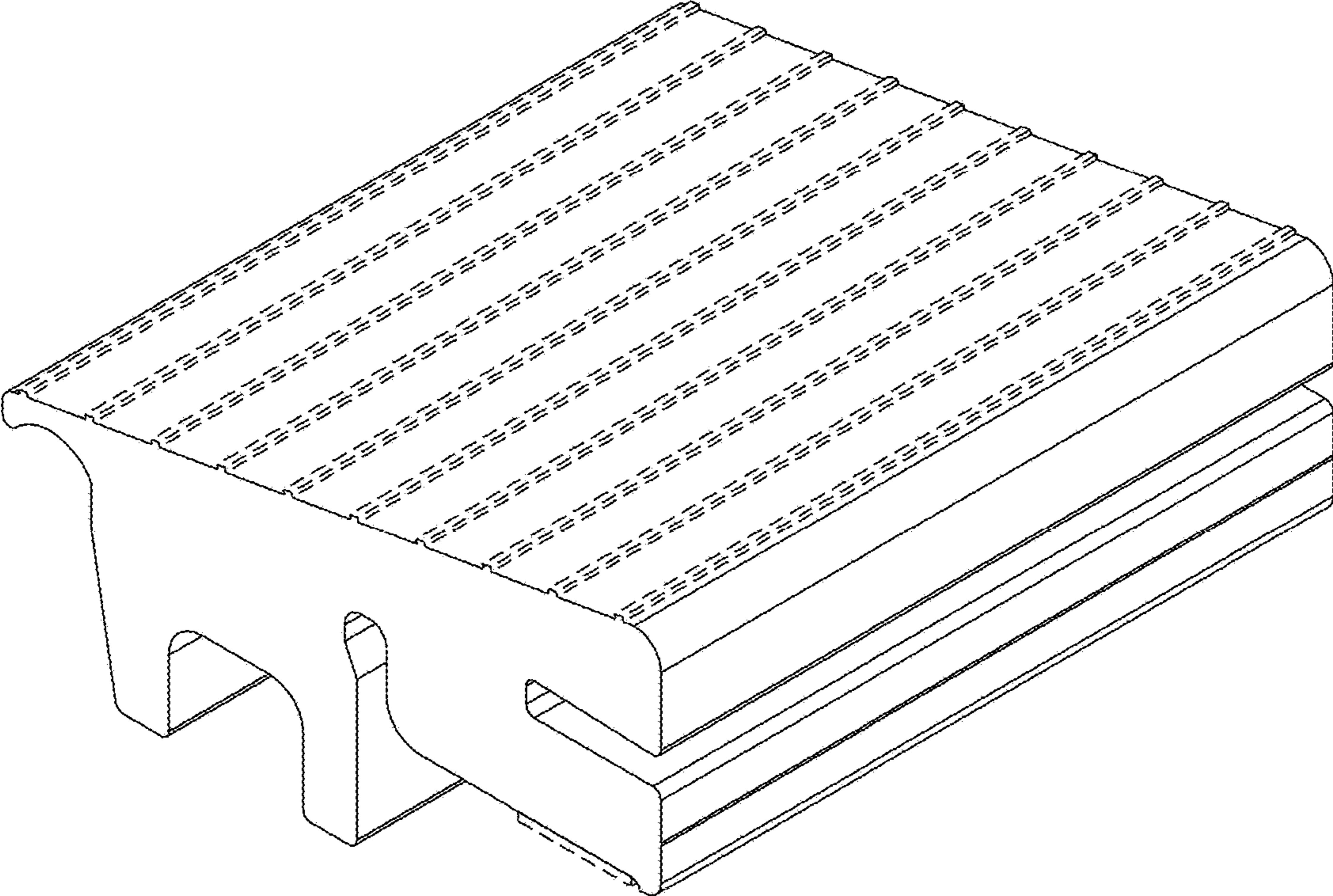


FIG. 9

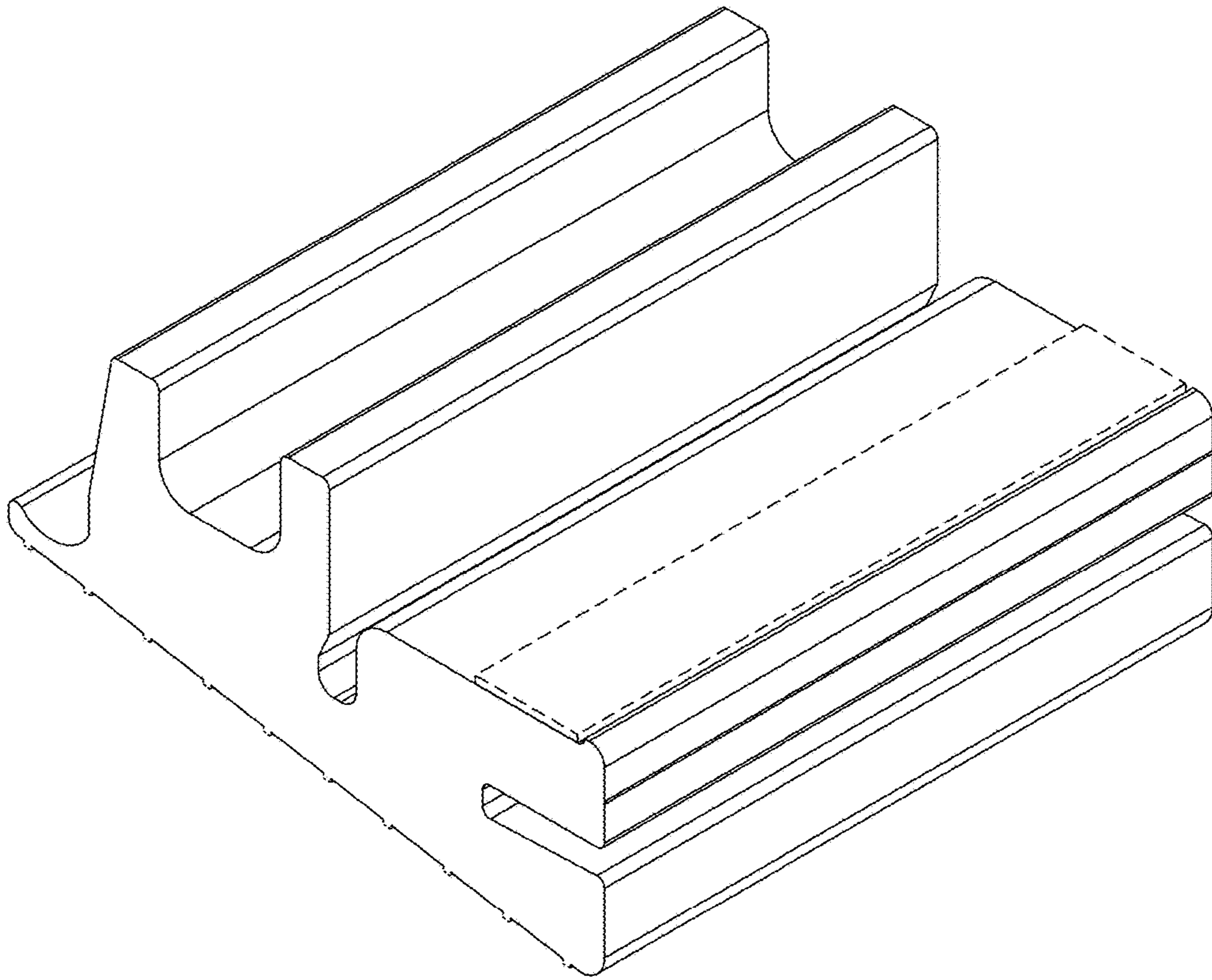


FIG. 10

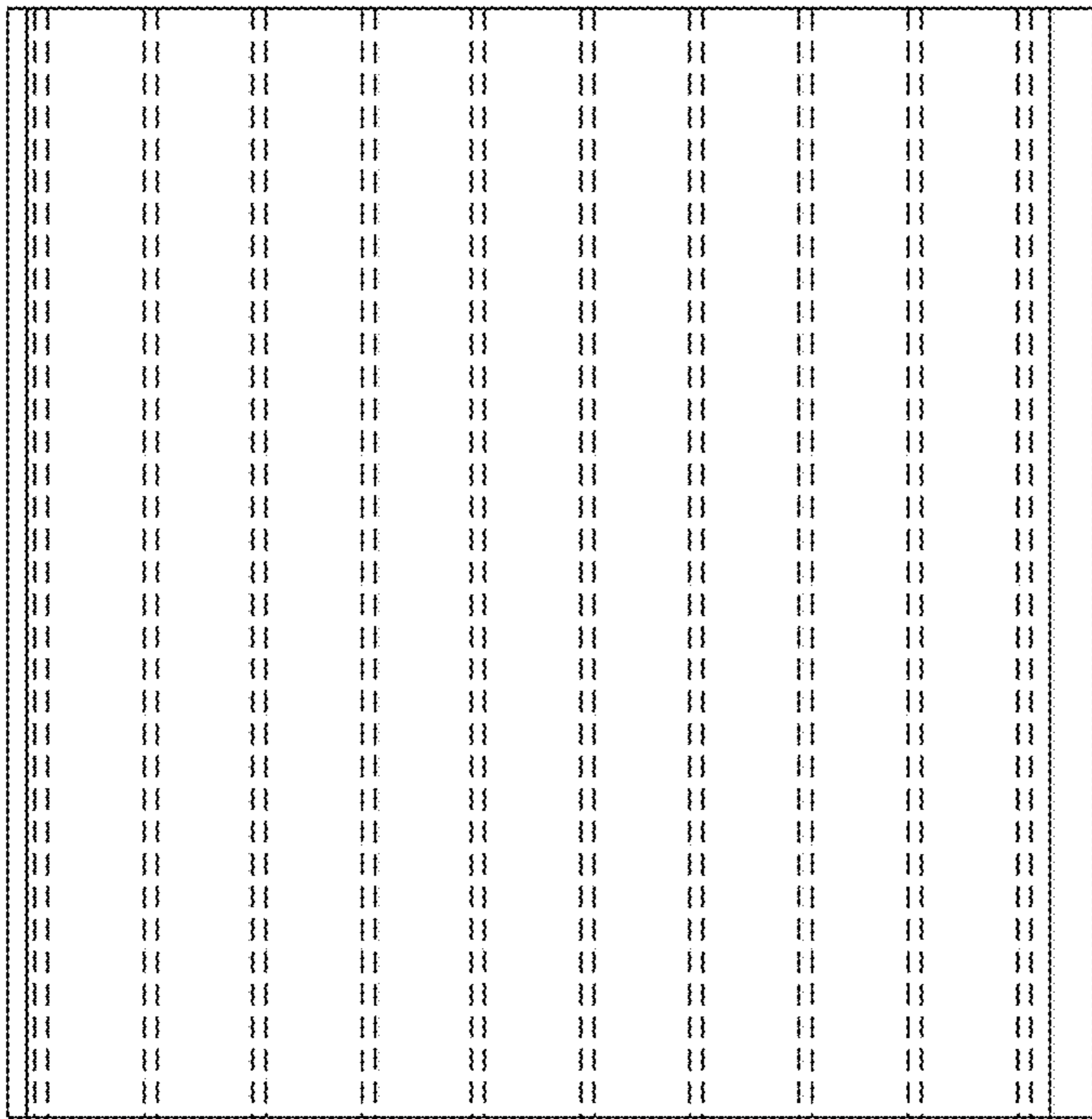


FIG. 11

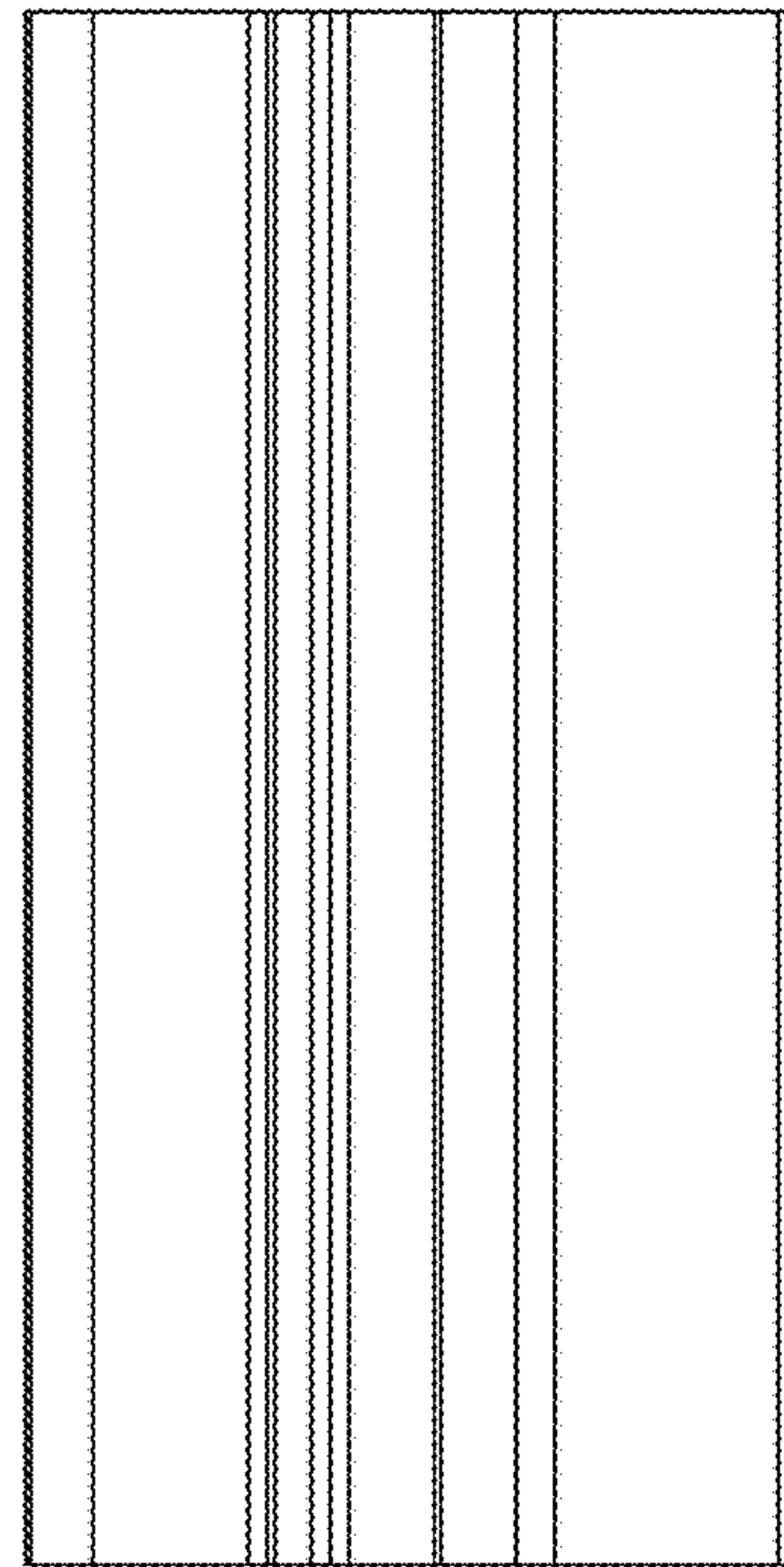


FIG. 12

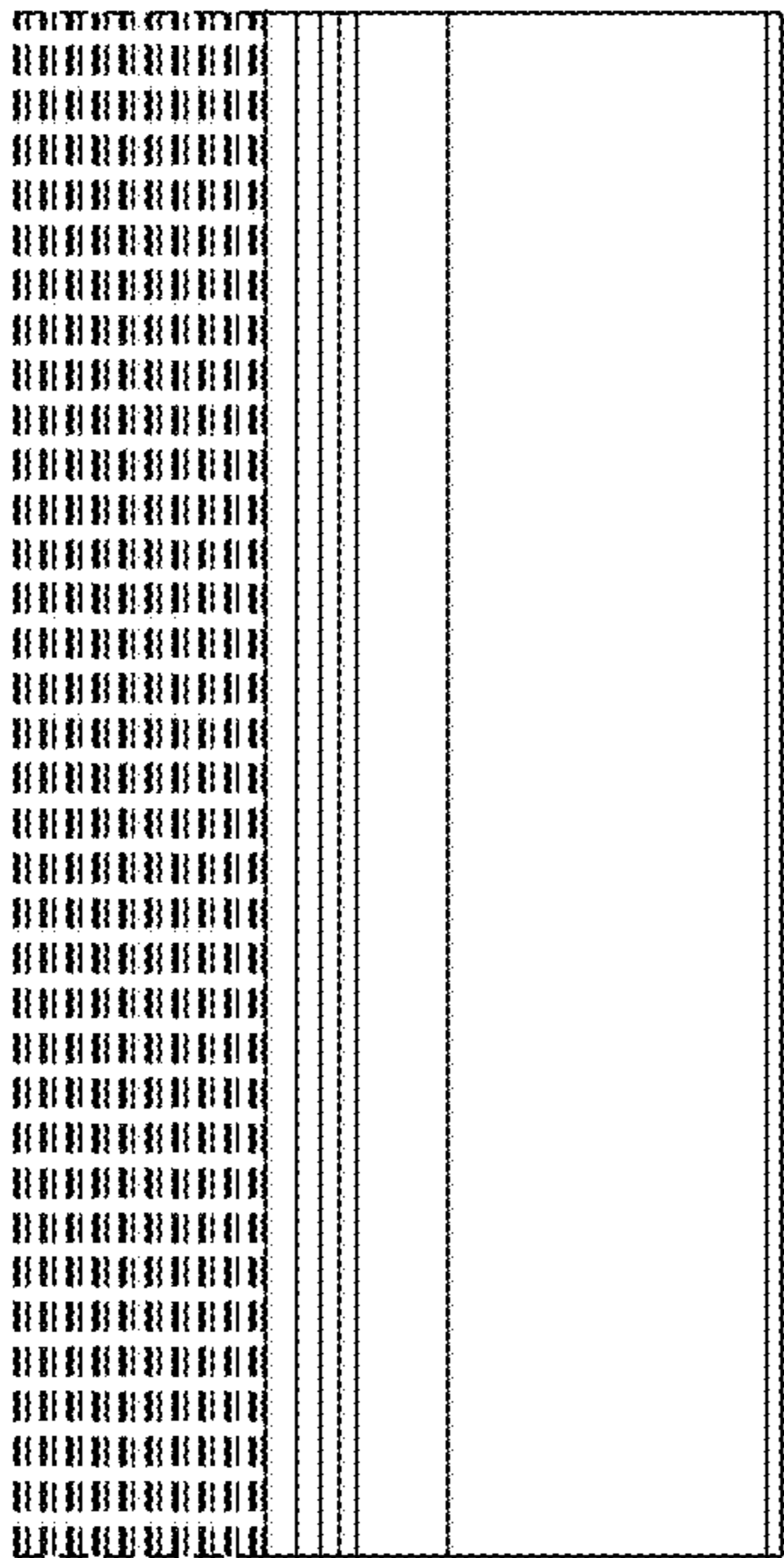


FIG. 13

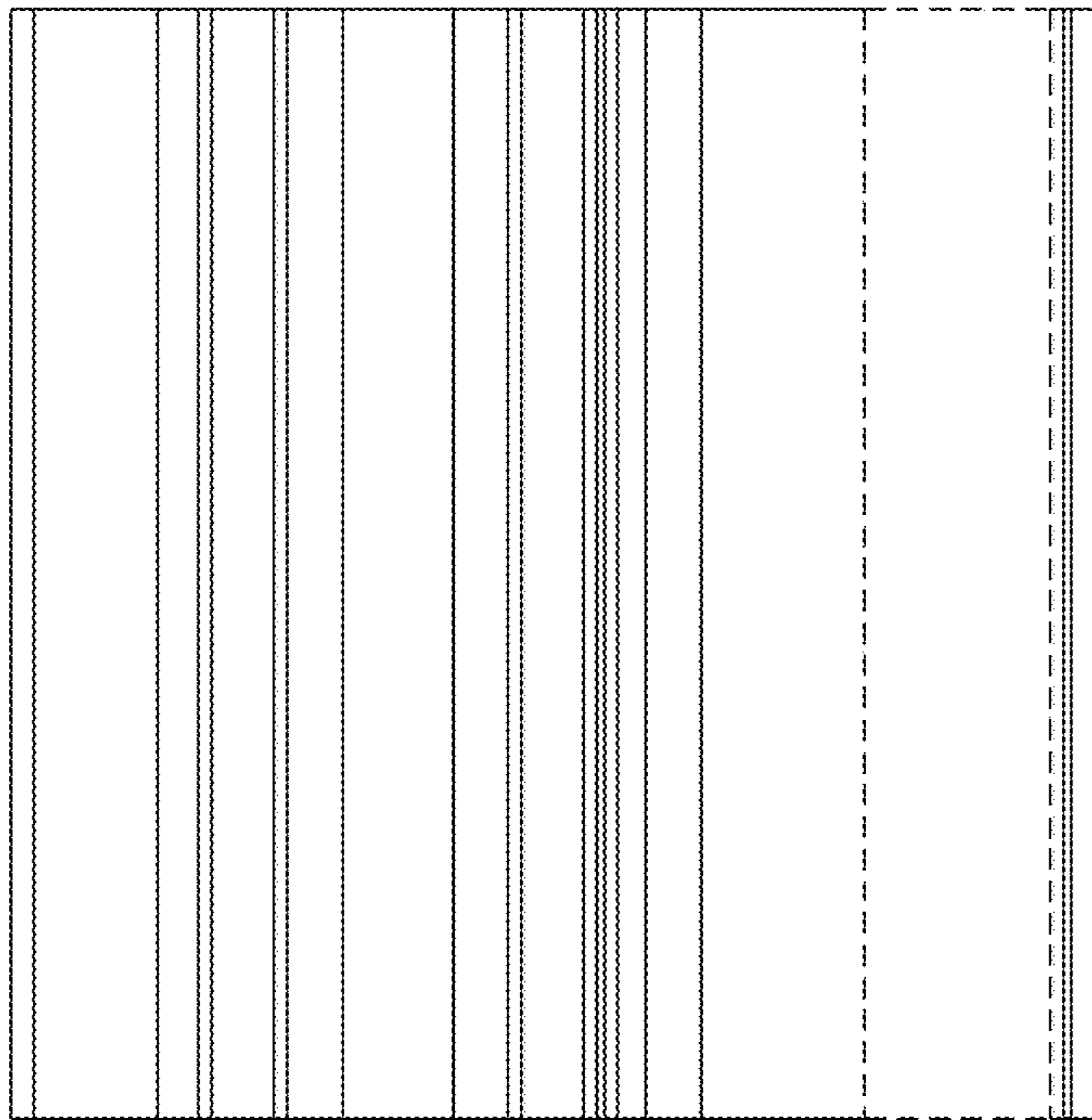


FIG. 14

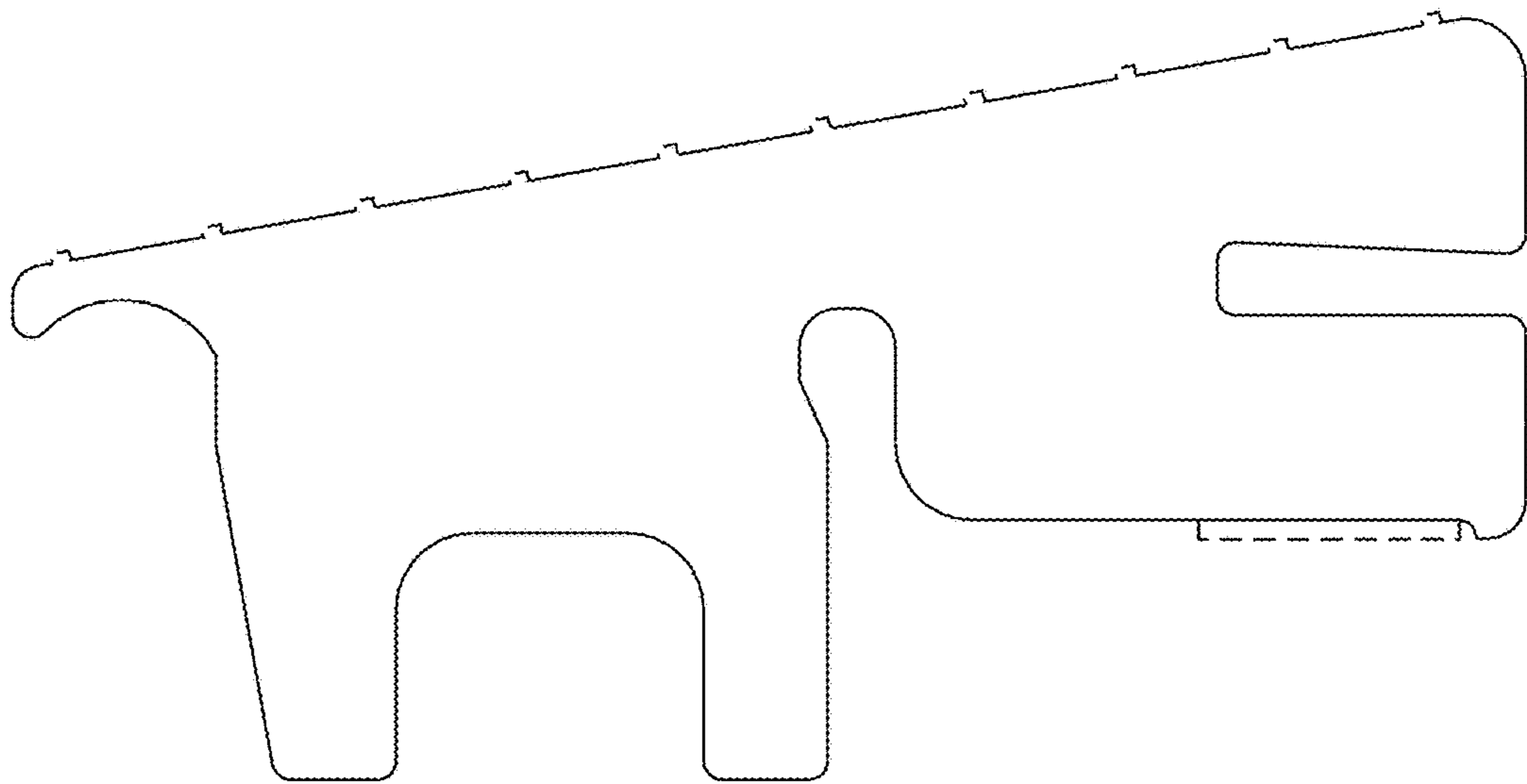


FIG. 15

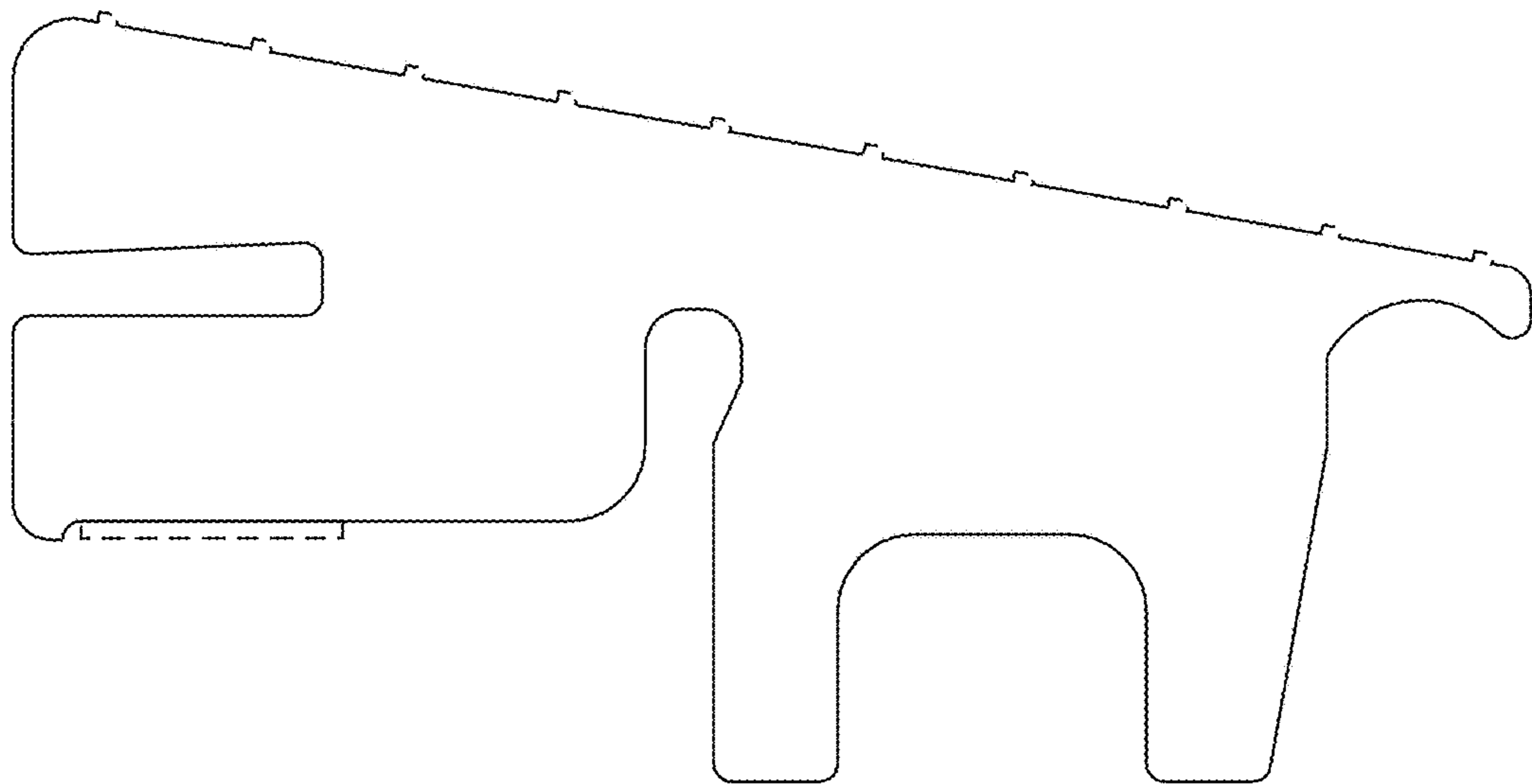


FIG. 16