

US00D820469S

(12) **United States Design Patent**
Watson

(10) **Patent No.:** **US D820,469 S**

(45) **Date of Patent:** **** Jun. 12, 2018**

(54) **DEPLOYABLE BUILDING**

(71) Applicant: **Extremis Technology Ltd**, Lowestoft,
Suffolk (GB)

(72) Inventor: **David Watson**, Lowestoft (GB)

(73) Assignee: **Extremis Technology Ltd**, Norfolk
(GB)

(**) Term: **14 Years**

(21) Appl. No.: **29/526,306**

(22) Filed: **May 7, 2015**

(30) **Foreign Application Priority Data**

Nov. 7, 2014 (EM) 02574442-0002

(51) **LOC (11) Cl.** **25-03**

(52) **U.S. Cl.**
USPC **D25/22; D25/29**

(58) **Field of Classification Search**
USPC D25/1, 4, 12, 15, 16-18, 21, 31-34, 56,
D25/10, 22, 61, 19, 30; D21/837; 52/86,
52/73-78, 79.1, 79.5; D12/320
CPC E04B 7/08; E04B 1/3205; E04B 1/3416;
E04B 1/3408; E04H 15/36; E04H
1/1205-1/14; E04H 1/02; E04H 3/08;
E04H 3/04; E04H 3/02; E04H 1/005;
E04H 1/12; E04H 15/008
See application file for complete search history.

(56) **References Cited**

U.S. PATENT DOCUMENTS

2,359,577 A * 10/1944 Patrick E04H 15/008
5/119
2,526,313 A * 10/1950 Zaroban E04B 1/3205
312/140
D181,112 S * 10/1957 Smith D25/16
2,835,931 A * 5/1958 Sterkin E04H 1/12
52/272

3,020,601 A * 2/1962 Stambaugh A01K 1/033
D25/16
3,097,400 A * 7/1963 Davis et al. E04B 1/3442
D25/33
3,217,366 A * 11/1965 Wenger B60P 3/0252
D25/1
3,416,496 A * 12/1968 Peterson A01K 1/0218
D25/22

(Continued)

OTHER PUBLICATIONS

Extremis Technology, HuSh1 Community Deployment, Apr. 16,
2014, youtube.com, https://www.youtube.com/
watch?v=uD8pfaSvRLQ.*

(Continued)

Primary Examiner — Susan Bennett Hattan

Assistant Examiner — Brett Miller

(74) *Attorney, Agent, or Firm* — Berliner & Associates

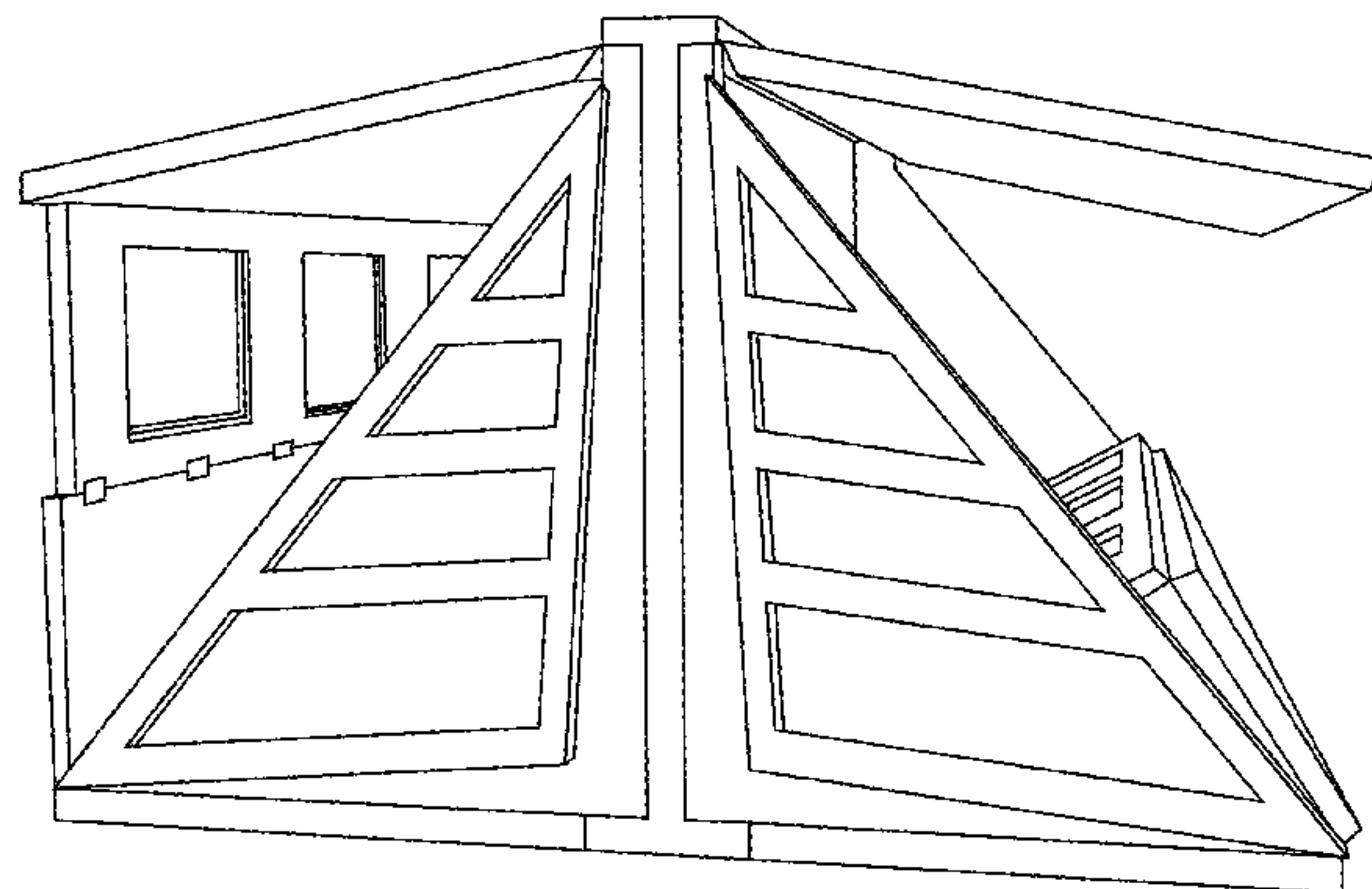
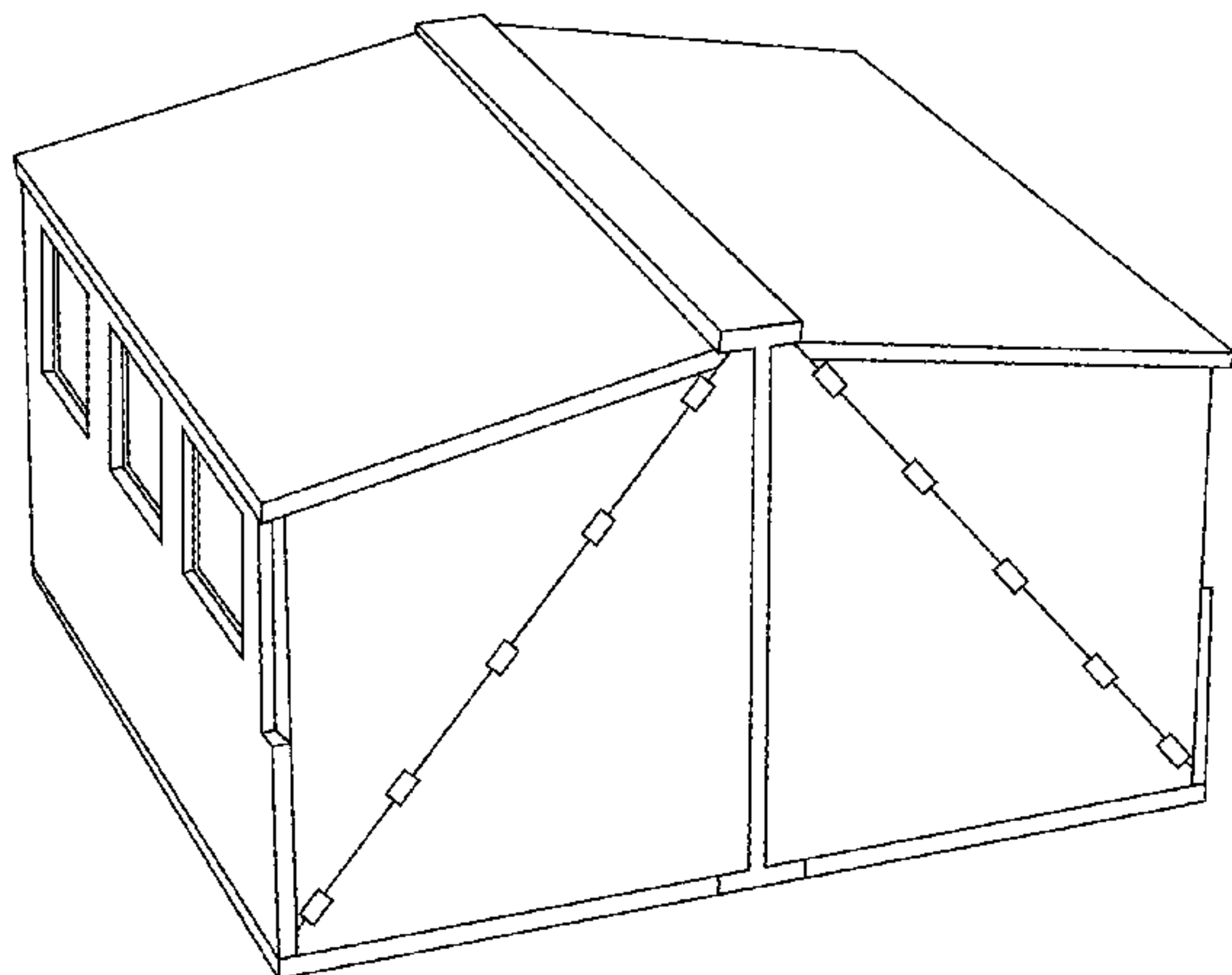
(57) **CLAIM**

The ornamental design for a deployable building, as shown
and described.

DESCRIPTION

FIG. 1 is an end perspective view of a deployable building,
shown in a compact configuration;
FIG. 2 is an end perspective view in a partially deployed
(floors deployed) configuration;
FIG. 3 is an end perspective view in a partially deployed
(floors and sides deployed) configuration;
FIG. 4 is an end perspective view in a deployed configura-
tion;
FIG. 5 is an end perspective view in a partially deployed
hurricane-safe configuration;
FIG. 6 is an end perspective view in a hurricane-safe
configuration; and,
FIG. 7 is a plan view corresponding to FIG. 4.
The broken lines depict environment and form no part of the
claimed design.

1 Claim, 7 Drawing Sheets



(56)

References Cited

U.S. PATENT DOCUMENTS

3,462,891 A * 8/1969 Smith E04B 1/3444
52/18
3,984,948 A * 10/1976 Bussard E04B 1/3442
52/79.5
4,279,105 A * 7/1981 Cameron E04H 1/12
116/63 T
4,603,518 A * 8/1986 Fennes E04B 1/3442
52/79.5
5,493,818 A * 2/1996 Wilson E04B 1/3445
52/79.5
D399,572 S * 10/1998 Ota D25/1
6,983,567 B2 * 1/2006 Ciotti E04B 1/3442
52/79.5
7,464,502 B2 * 12/2008 Sardi Herrera E04H 9/14
52/79.5
7,647,731 B2 * 1/2010 Muir E04B 1/3445
52/79.5
D659,587 S * 5/2012 Willsie D11/145
8,650,806 B1 * 2/2014 Condie E04H 1/1205
52/79.5
8,707,633 B2 * 4/2014 Han E04B 1/3442
52/79.1
8,763,315 B2 * 7/2014 Hartman E04B 1/3445
52/79.5
D745,978 S * 12/2015 Cohen D25/1
D765,266 S * 8/2016 Malakauskas D25/4
2009/0000213 A1 * 1/2009 Coopman E04H 1/1205
52/79.5
2009/0217600 A1 * 9/2009 De Azambuja B60P 3/34
52/79.5
2009/0266006 A1 * 10/2009 Gyory E04B 1/3444
52/79.5

2010/0170162 A1 * 7/2010 Pfeiffer E04H 15/008
52/79.5
2011/0185644 A1 * 8/2011 Hutter E04H 1/12
52/79.1
2012/0180404 A1 * 7/2012 Scouten E05D 11/00
52/79.5
2013/0019913 A1 * 1/2013 Zadok E04H 1/005
135/96
2013/0192146 A1 * 8/2013 Anklam E04H 1/1205
52/79.5
2014/0033621 A1 * 2/2014 Vidal E04B 1/3445
52/79.5
2014/0157685 A1 * 6/2014 Fagan E04H 1/12
52/79.5
2014/0311051 A1 * 10/2014 Fagan E04B 1/3444
52/79.5
2014/0318037 A1 * 10/2014 Aldino E04H 1/005
52/90.1
2015/0218794 A1 * 8/2015 Martyn E04B 1/3441
52/79.5
2016/0069062 A1 * 3/2016 Dynon E04B 1/3444
52/79.5
2016/0138258 A1 * 5/2016 Schaffert E04B 1/3445
52/79.5
2016/0208512 A1 * 7/2016 S Ez Blaya E04H 1/005
2016/0265244 A1 * 9/2016 Watson E04H 1/1205
2016/0279533 A1 * 9/2016 McInerney E04H 1/1205

OTHER PUBLICATIONS

Extremis Technology, HuSh2 Deployment Animation, Feb. 5, 2014,
youtube.com, [https://www.youtube.com/
watch?v=ACFwUiDi8C4](https://www.youtube.com/watch?v=ACFwUiDi8C4).*

* cited by examiner

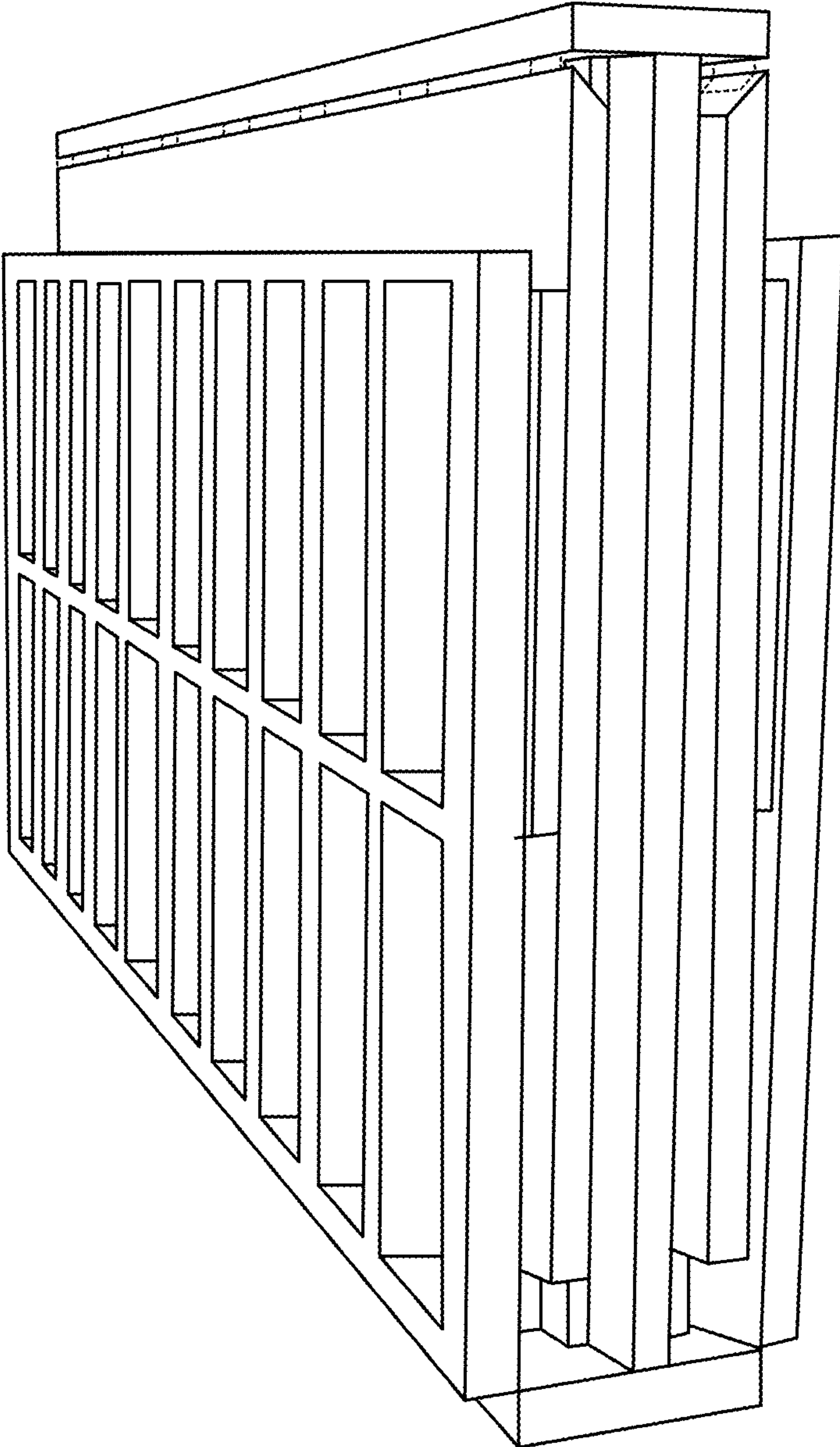


Fig. 1

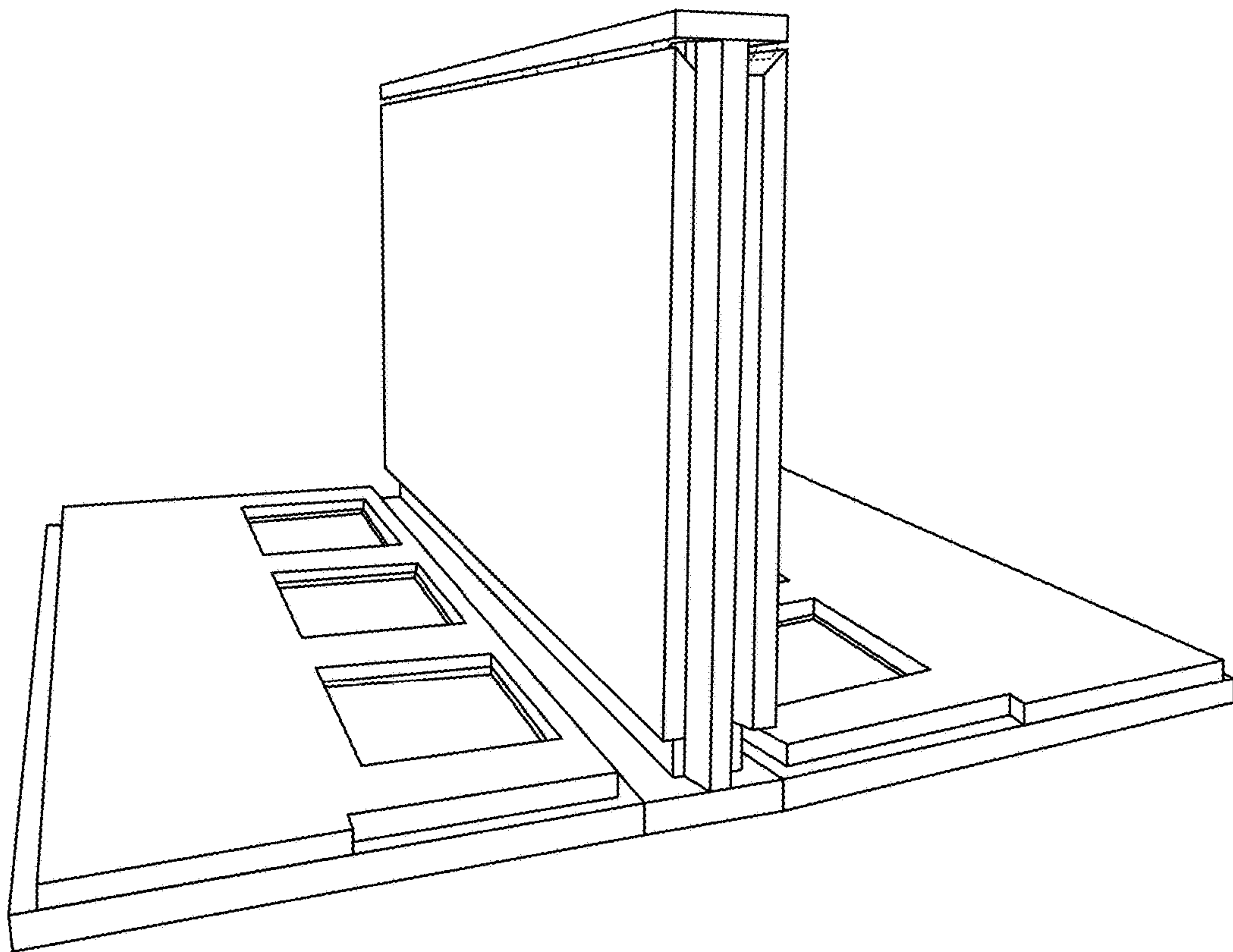


Fig. 2

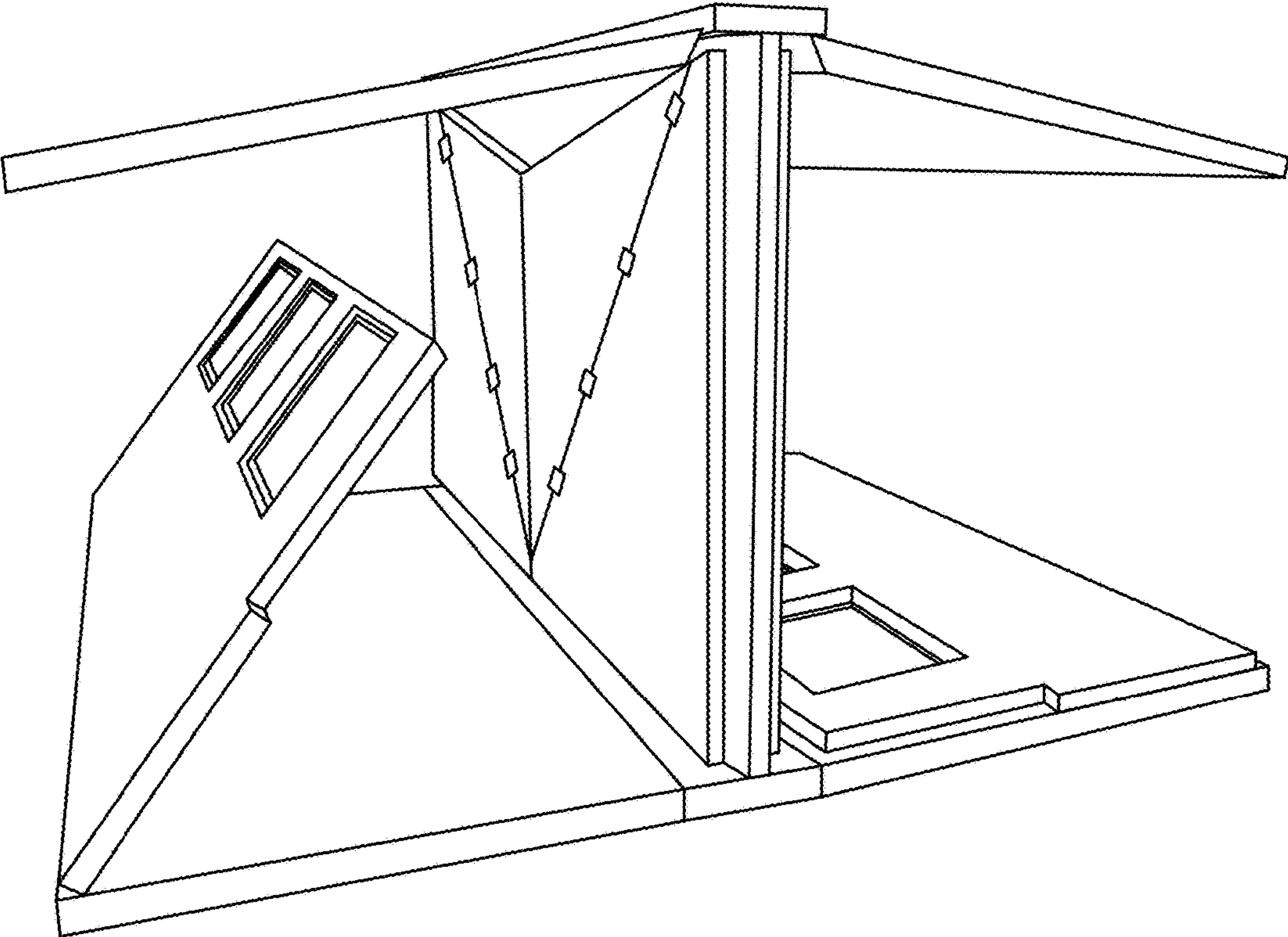


Fig. 3

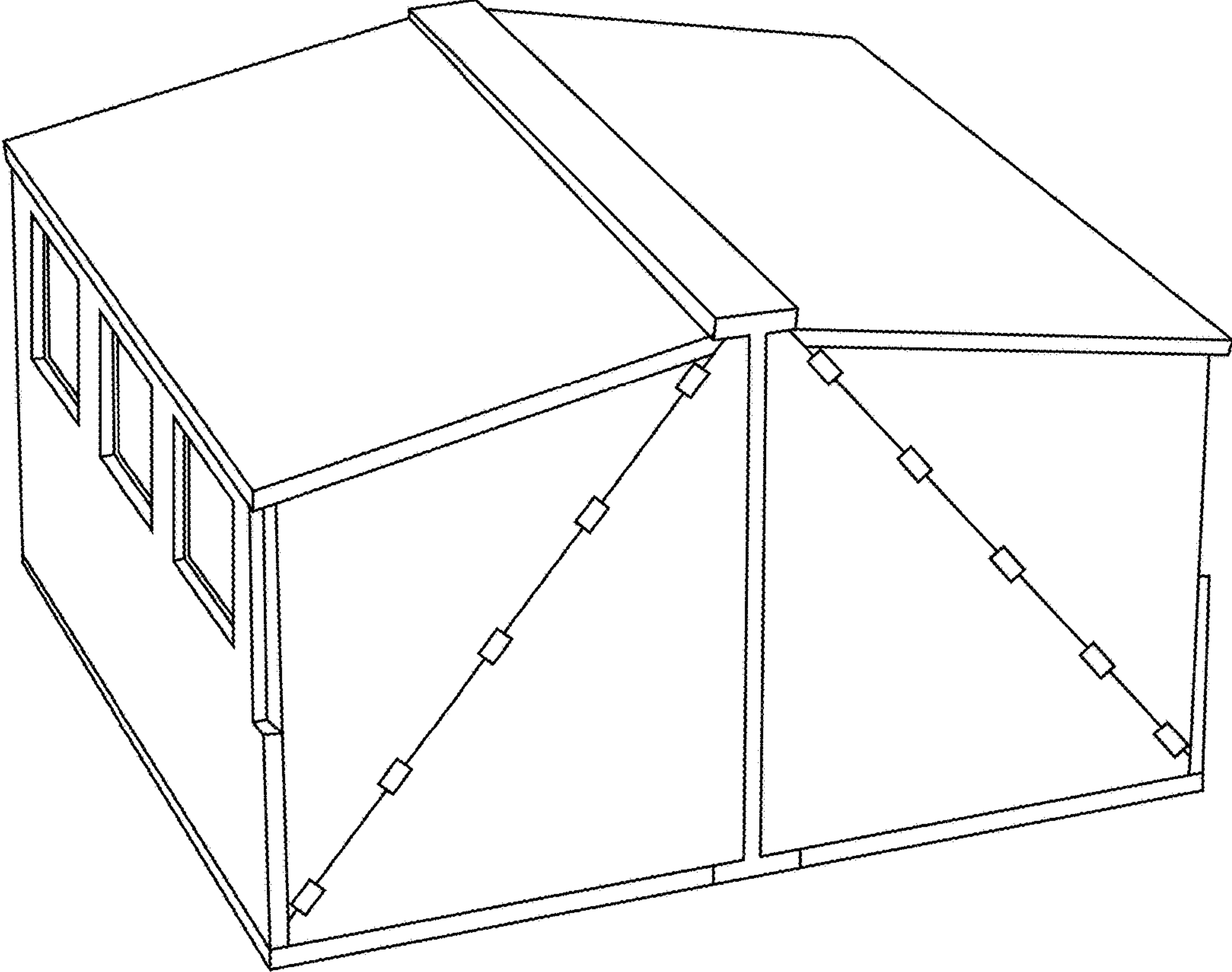


Fig. 4

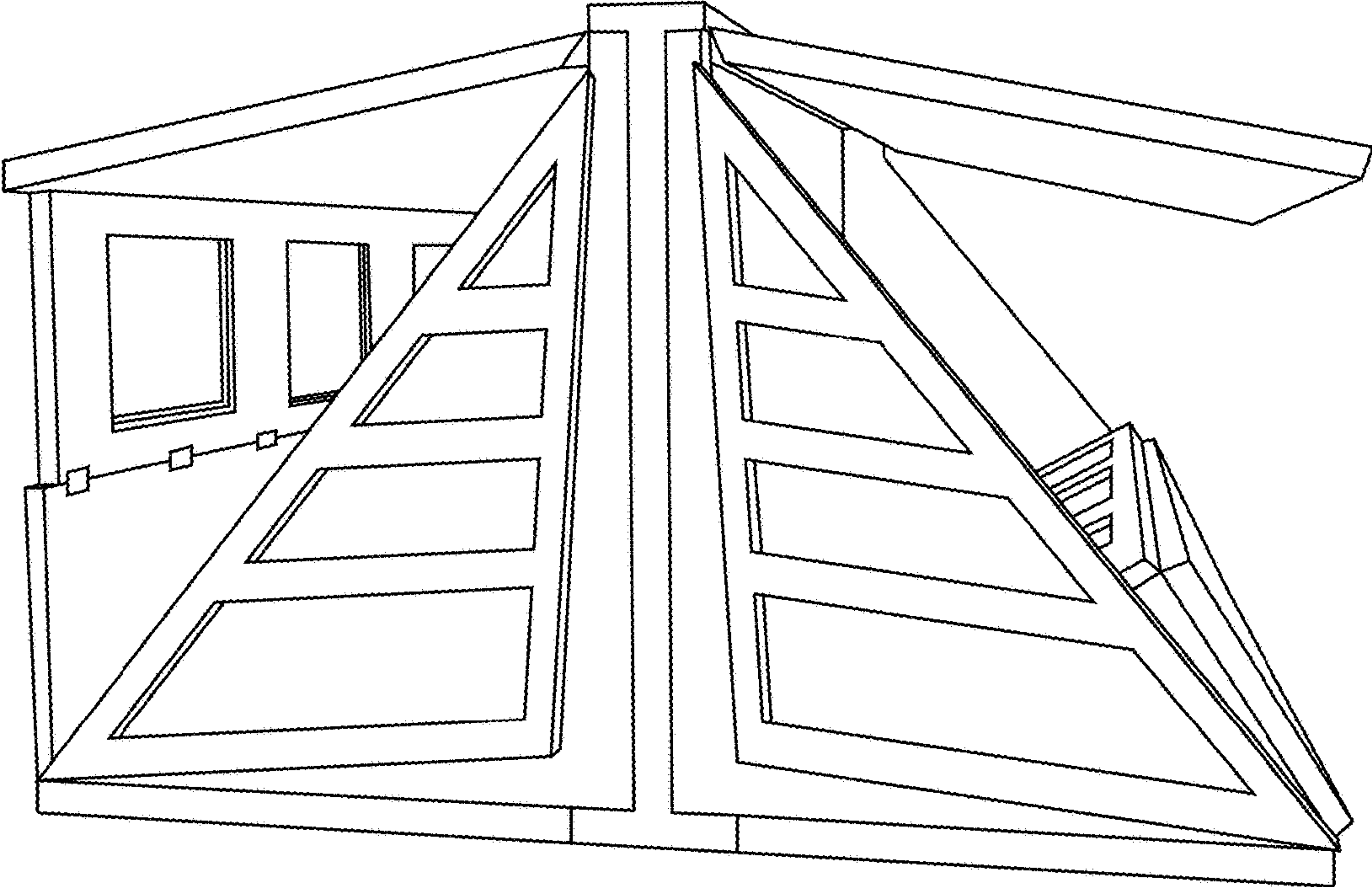


Fig. 5

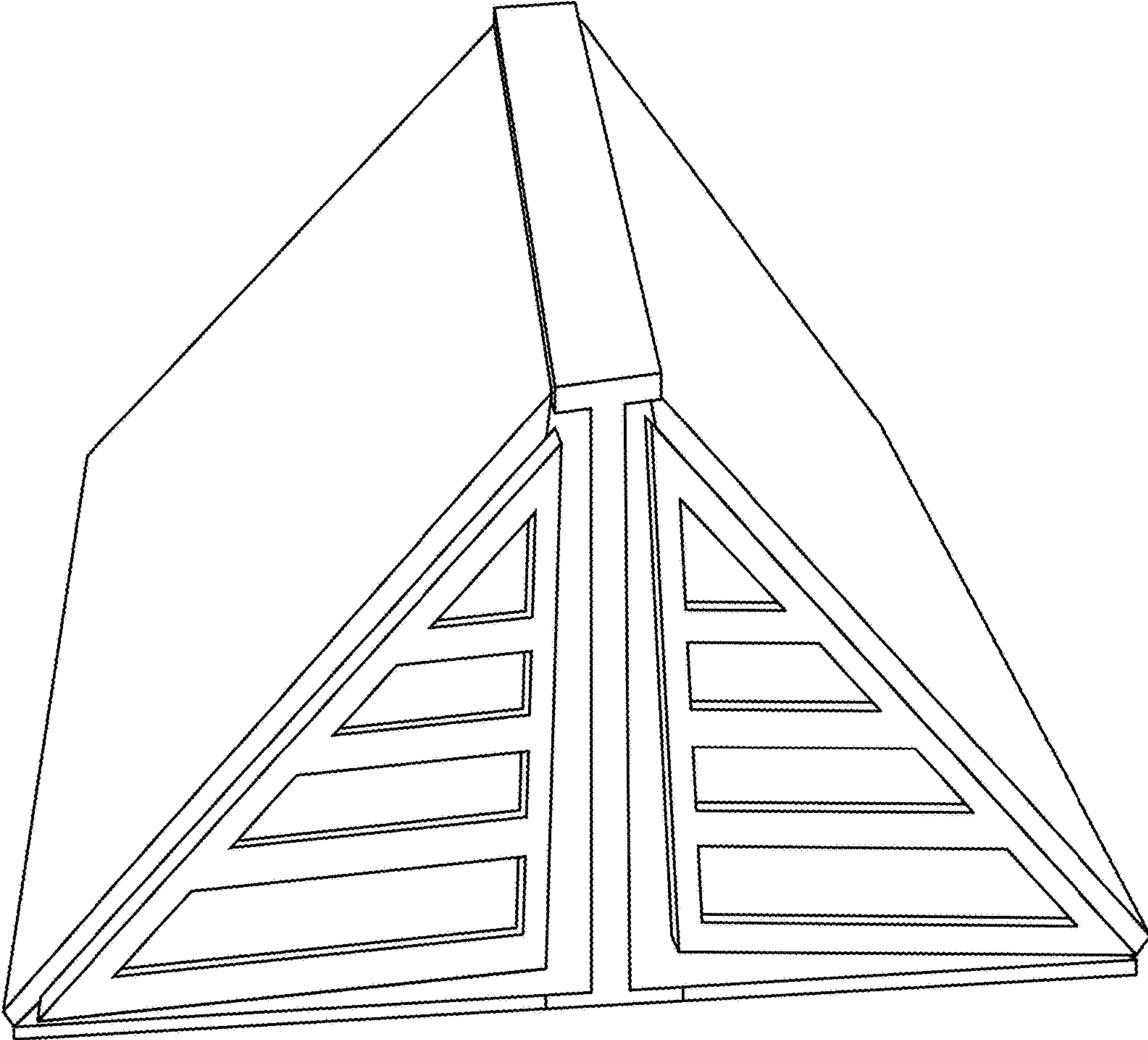


Fig. 6

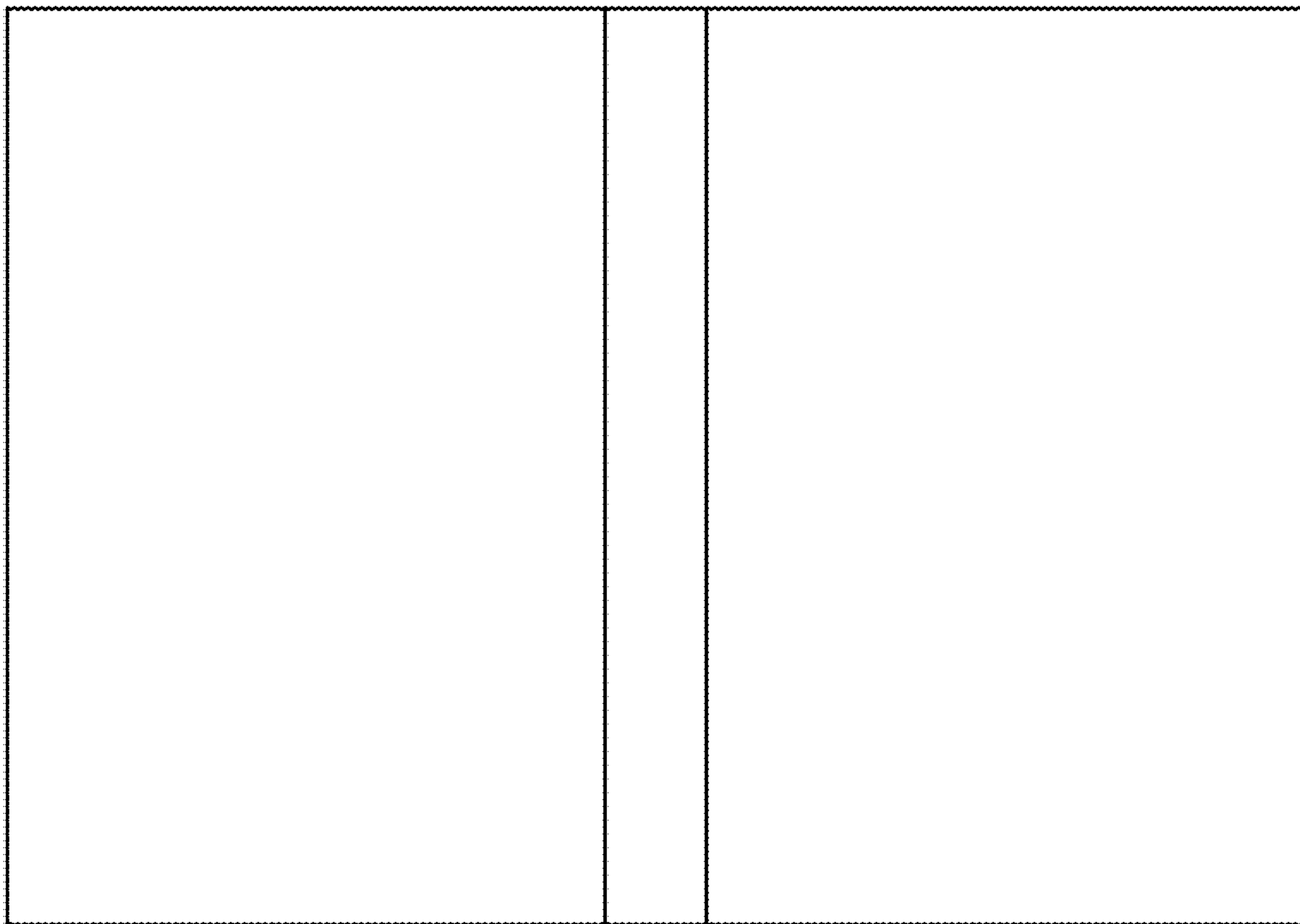


Fig. 7