



US00D820468S

(12) **United States Design Patent**
Hagood et al.

(10) **Patent No.:** **US D820,468 S**
(45) **Date of Patent:** **** Jun. 12, 2018**

(54) **MEDICAL HEADLAMP**

(71) Applicant: **Acuralabs, LLC**, Huntsville, AL (US)

(72) Inventors: **Mark L. Hagood**, Huntsville, AL (US);
Clinton R. Blasingame, Huntsville, AL (US)

(73) Assignee: **ACURALABS, LLC**, Huntsville, AL (US)

(**) Term: **15 Years**

(21) Appl. No.: **29/564,744**

(22) Filed: **May 16, 2016**

Related U.S. Application Data

(62) Division of application No. 29/500,613, filed on Aug. 27, 2014, now Pat. No. Des. 759,839.

(51) **LOC (11) Cl.** **24-00**

(52) **U.S. Cl.**
USPC **D24/231**

(58) **Field of Classification Search**
USPC D24/231; 128/201.25; D26/39, 113;
D16/135, 300, 309; D14/205
See application file for complete search history.

(56) **References Cited**

U.S. PATENT DOCUMENTS

D398,403 S *	9/1998	Bishop	D24/231
D441,111 S *	4/2001	Van Der Bel	D24/231
D441,886 S *	5/2001	Beck	D24/231
D458,287 S *	6/2002	Huang	D16/135
D483,779 S *	12/2003	Huang	D16/135
D513,032 S *	12/2005	Diamantidis	D16/300
D521,493 S *	5/2006	Wai	D14/205
D531,335 S *	10/2006	Garrity	D26/39
D533,954 S *	12/2006	Opolka	D26/39
D571,942 S *	6/2008	Christianson	D26/39

D583,850 S *	12/2008	Jabali	D16/309
D583,971 S *	12/2008	Castellucci	D26/39
D586,932 S *	2/2009	Feinbloom	D26/39
D608,479 S *	1/2010	Heine	D24/231
D620,160 S *	7/2010	Kang	D26/39
D623,783 S *	9/2010	Christianson	D26/39
D624,221 S *	9/2010	DeBrunner	D26/39
D625,863 S *	10/2010	Kingston	D26/39
D674,944 S *	1/2013	Bertken	D26/39
D680,250 S *	4/2013	Opolka	D26/39
D695,947 S *	12/2013	Jun	D26/113
D696,803 S *	12/2013	Kingston	D26/39
D699,875 S *	2/2014	Christianson	D26/39

(Continued)

Primary Examiner — Rhea Shields

(74) *Attorney, Agent, or Firm* — Jeremy A Smith; Bradley Arant Boult Cummings LLP

(57) **CLAIM**

The ornamental design for a medical headlamp, as shown and described.

DESCRIPTION

FIG. 1 is a front left side perspective view of the medical headlamp.

FIG. 2 is a front right side perspective view thereof.

FIG. 3 is a top plan view thereof.

FIG. 4 is a left side view thereof.

FIG. 5 is a right side view thereof.

FIG. 6 is a left side view thereof; wherein the lamp is shown in the upper position.

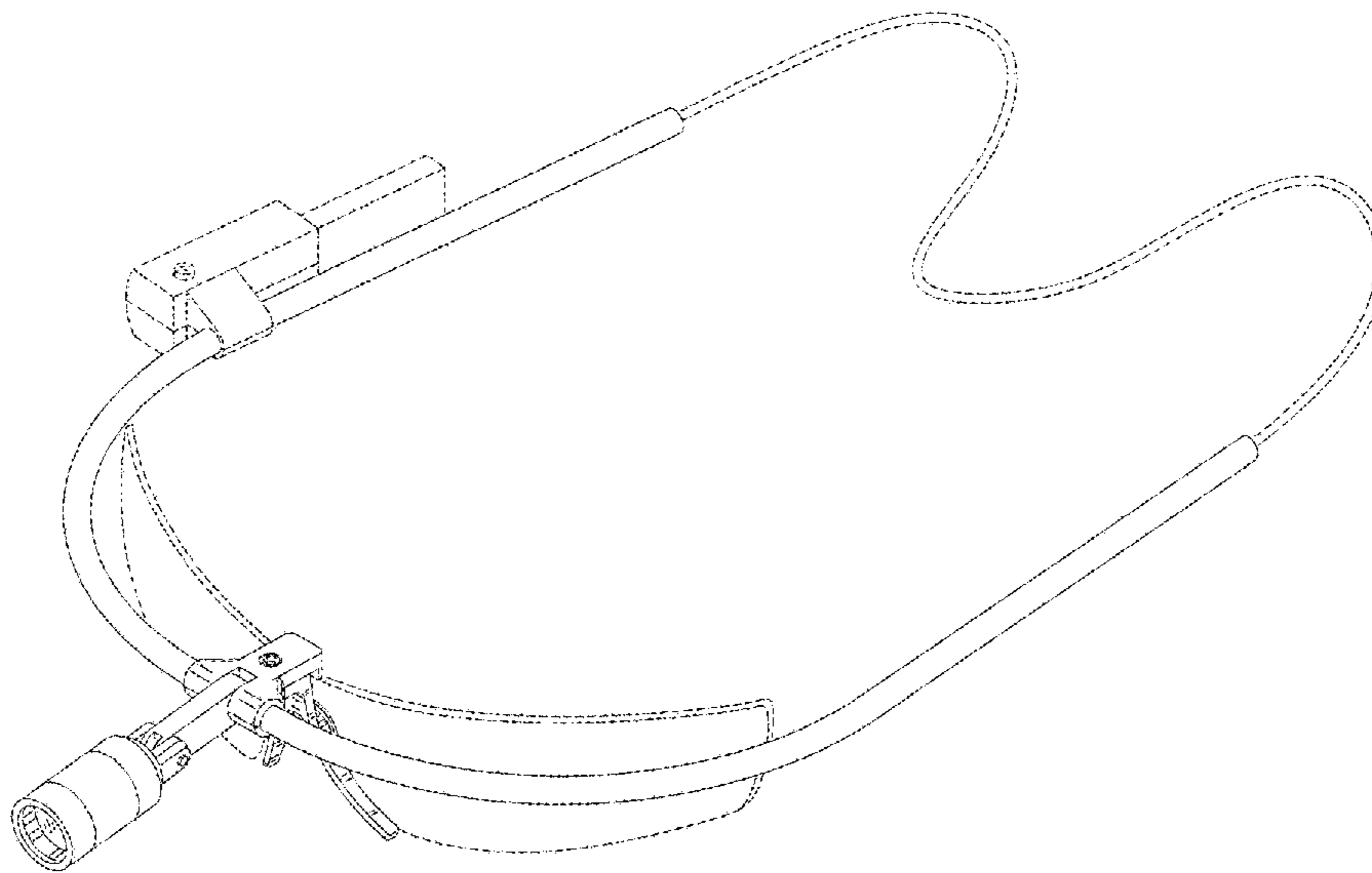
FIG. 7 is a left side view thereof; wherein the lamp is shown in the lower position.

FIG. 8 is a rear view of FIG. 1; and,

FIG. 9 is a sectional view taken along line 9-9 of FIG. 3.

In the drawings, the broken lines are for the purposes of illustrating environment only and form no part of the claimed design.

1 Claim, 6 Drawing Sheets



(56)

References Cited

U.S. PATENT DOCUMENTS

D706,474 S *	6/2014	Ferguson	D26/39
D707,867 S *	6/2014	Kotsis	D26/39
D745,731 S *	12/2015	Zimmerli	D26/39
D752,791 S *	3/2016	Ferguson	D26/39
D756,010 S *	5/2016	Ye	D26/39
D759,839 S *	6/2016	Hagood	D24/231

* cited by examiner

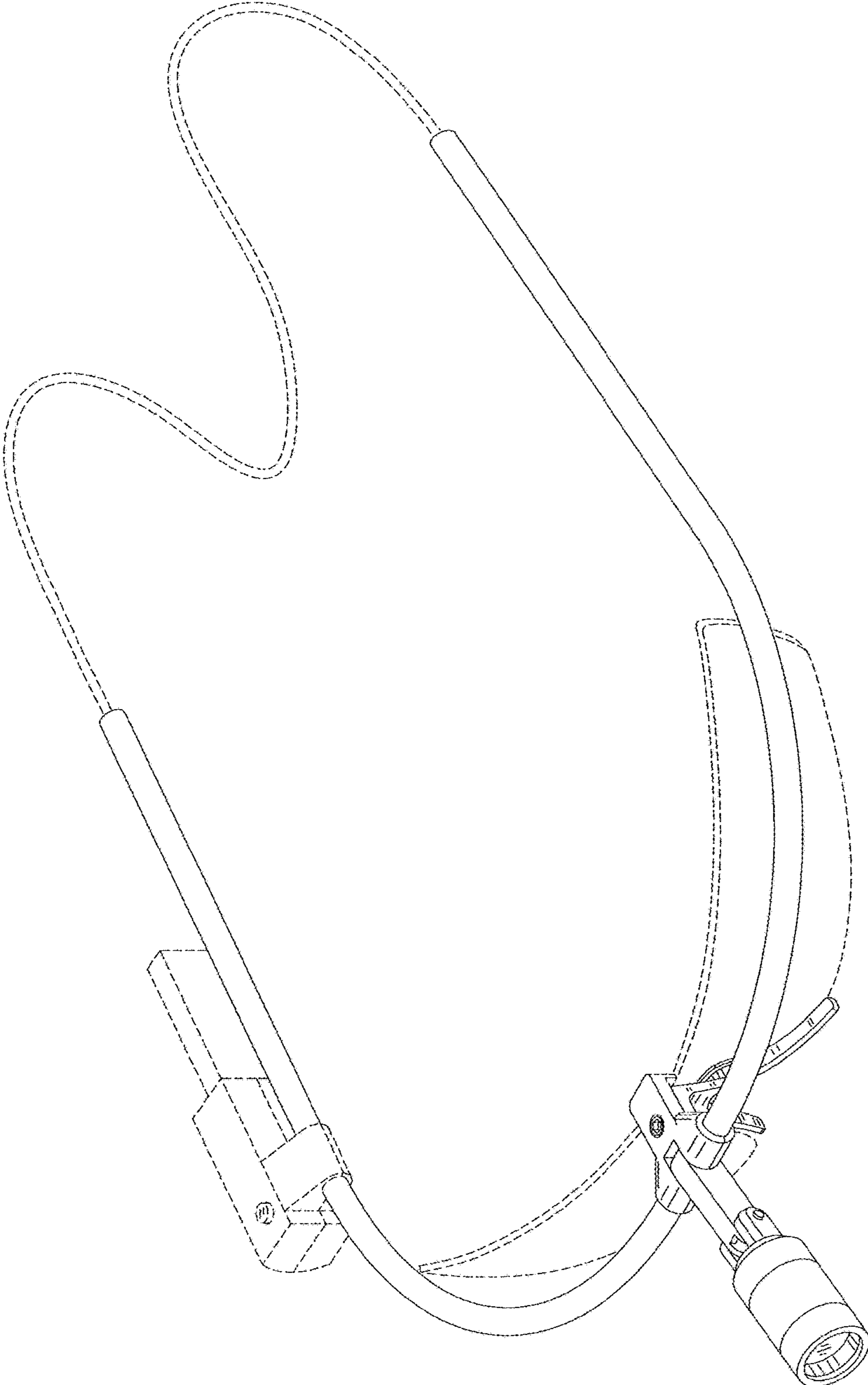


FIG. 1

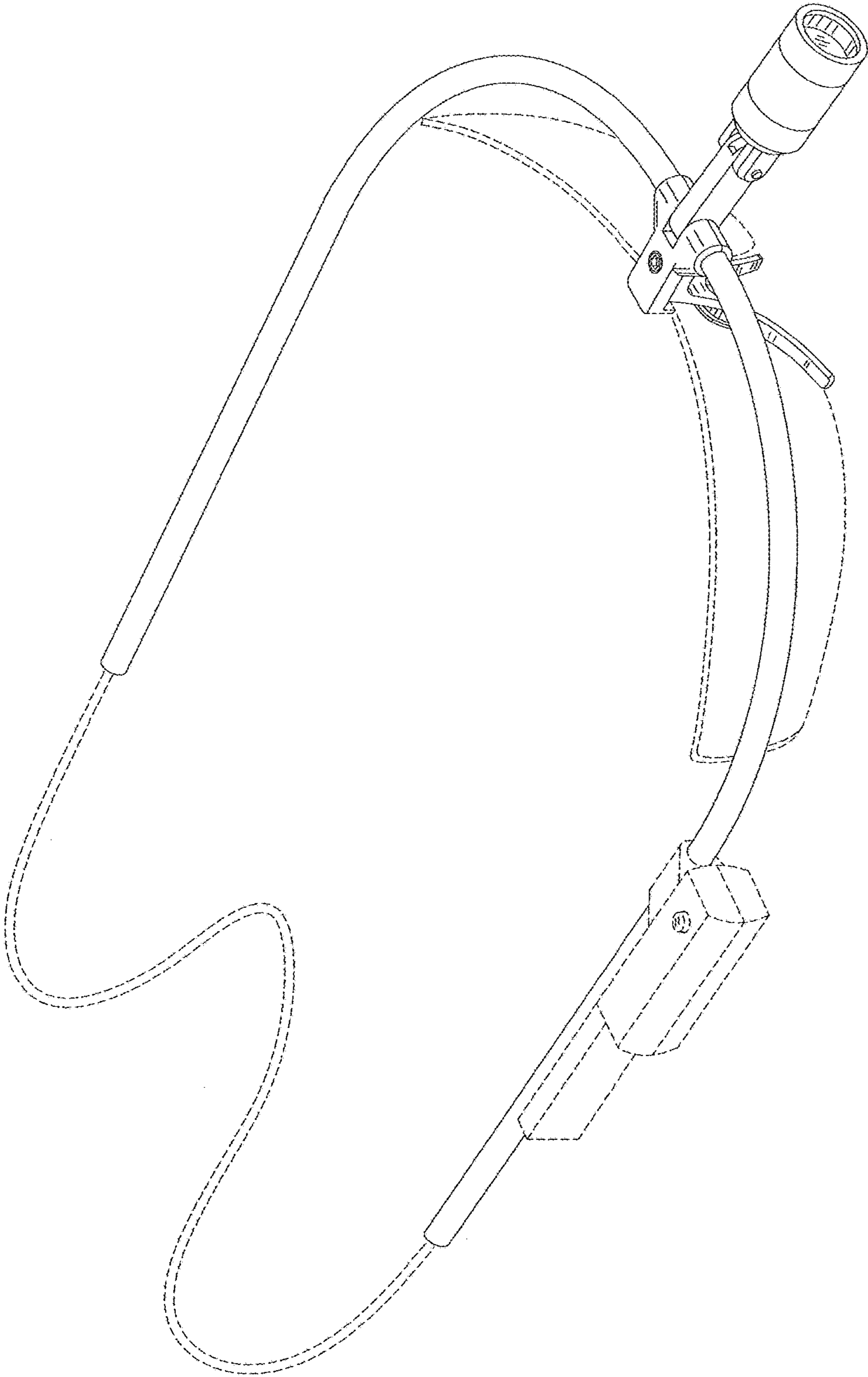


FIG. 2

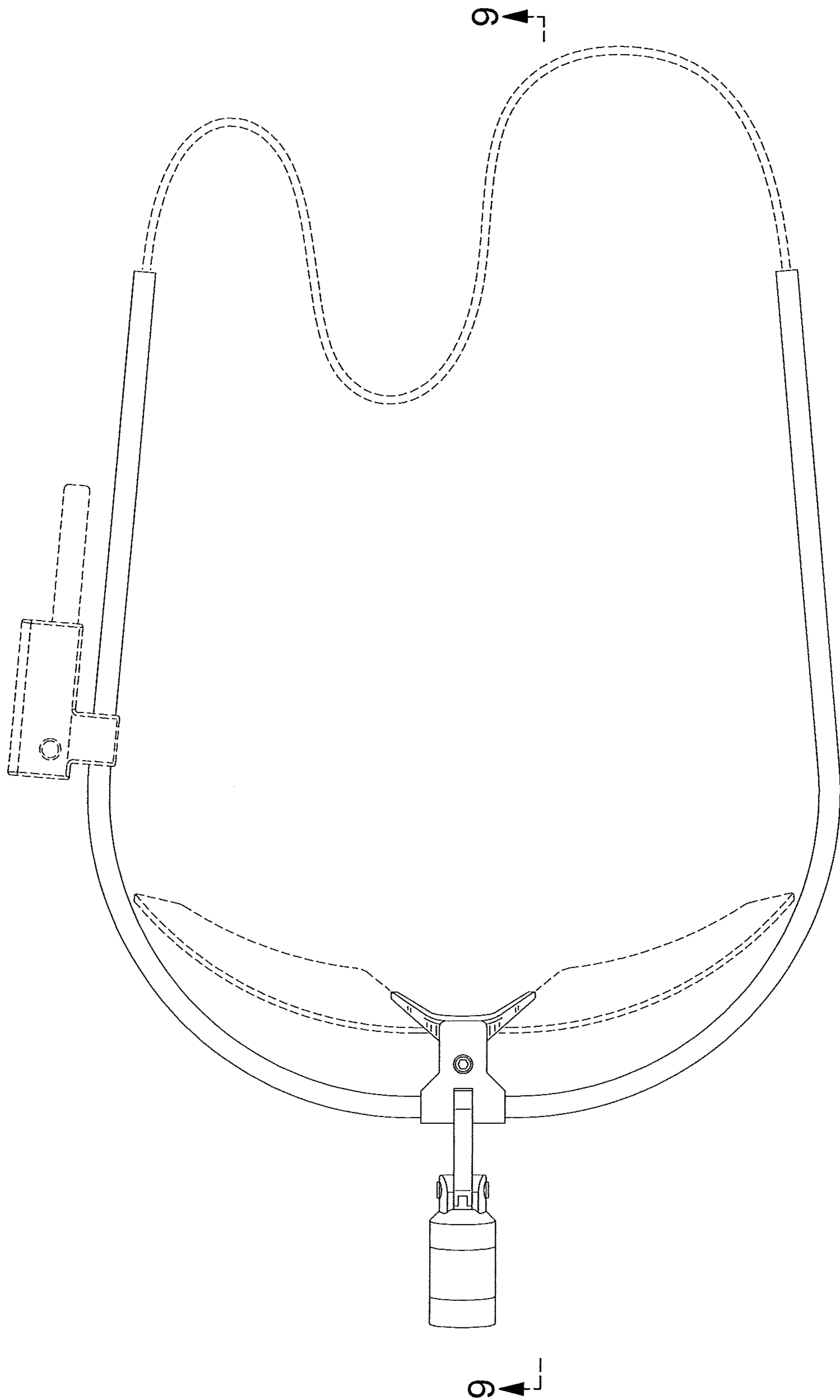


FIG. 3

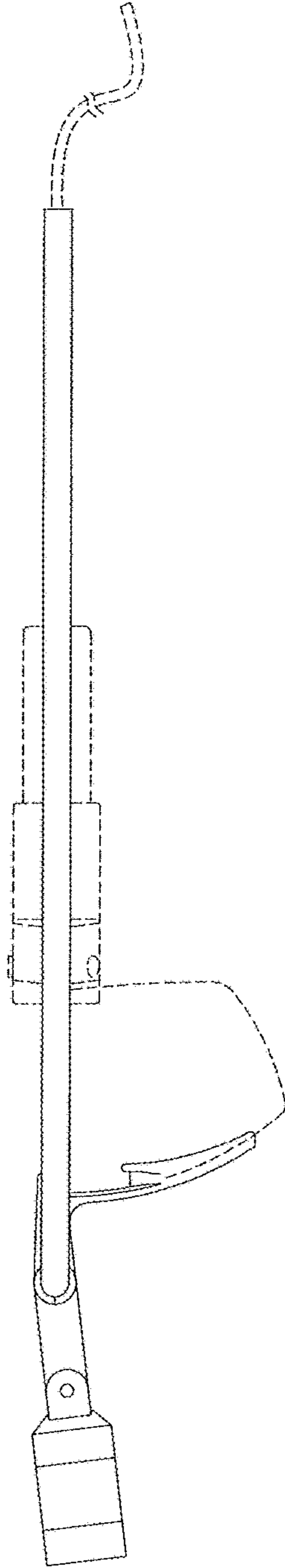


FIG. 4

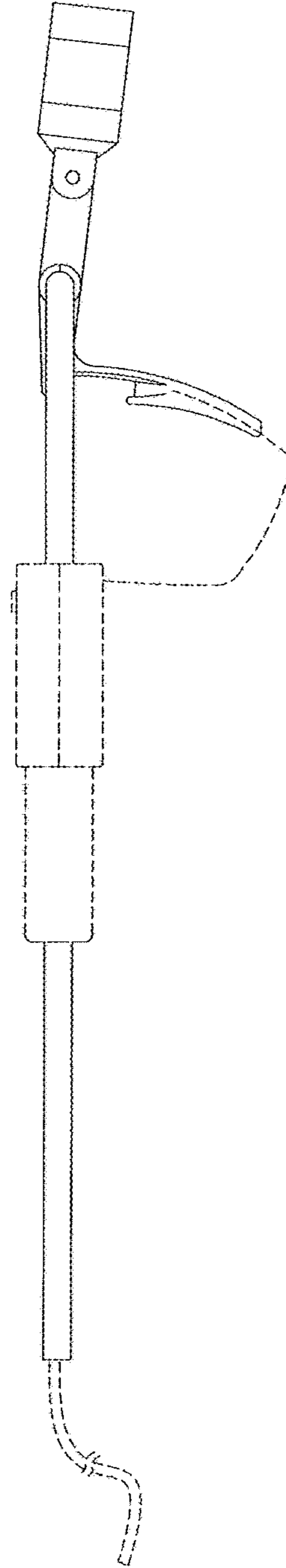


FIG. 5

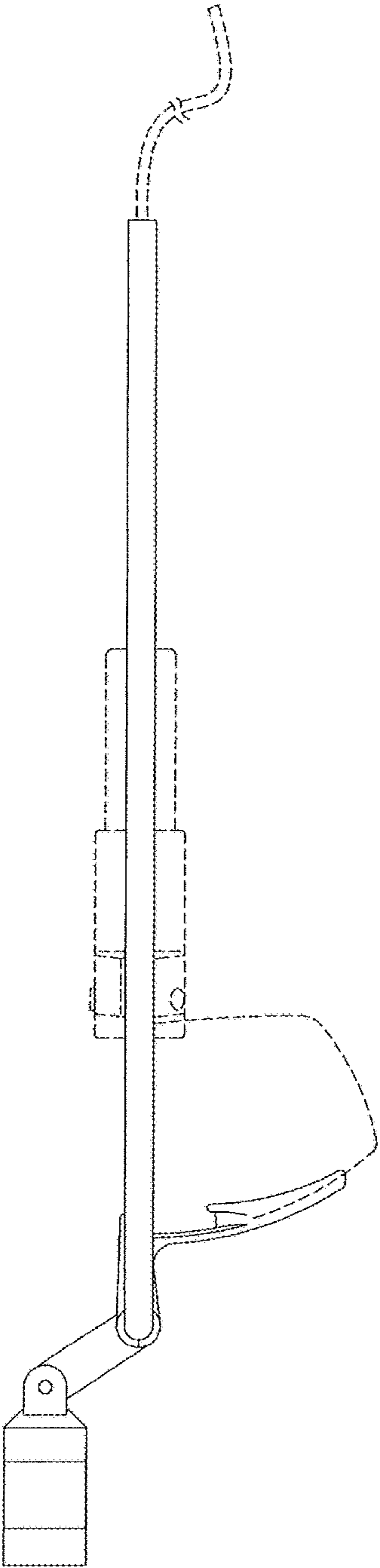


FIG. 6

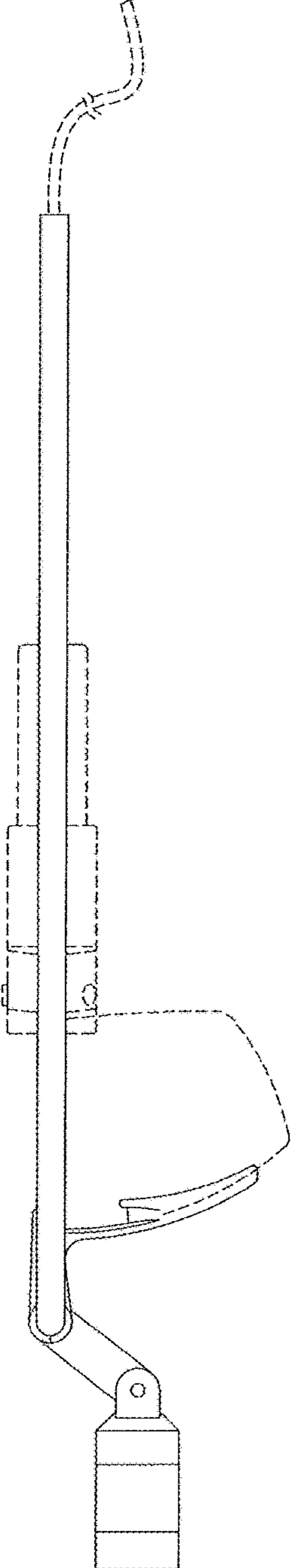


FIG. 7

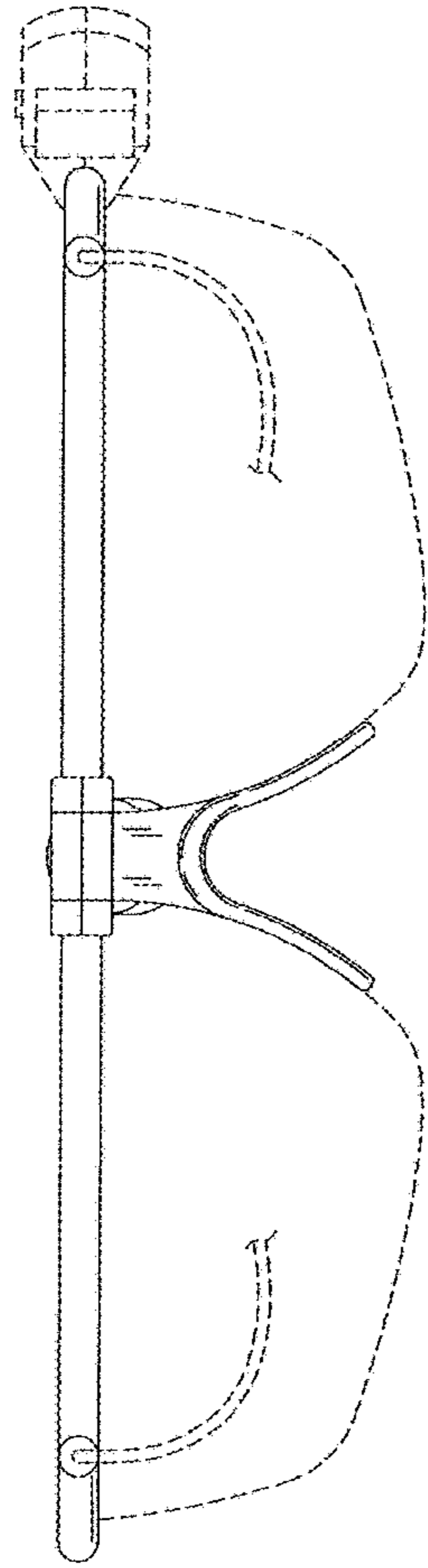


FIG. 8

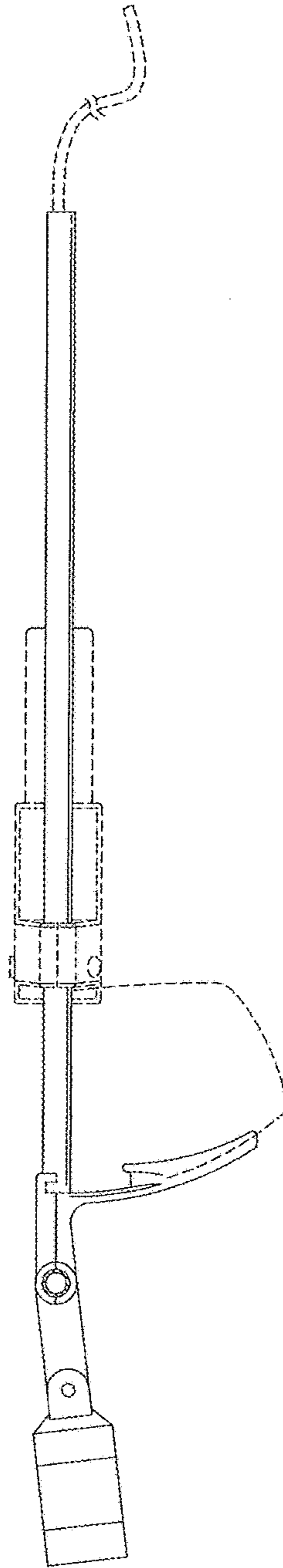


FIG. 9