



US00D820465S

(12) **United States Design Patent**
Chen

(10) **Patent No.:** **US D820,465 S**

(45) **Date of Patent:** **** Jun. 12, 2018**

(54) **REMOTE CONTROLLED PERSONAL MASSAGER WITH WINGS**

(71) Applicant: **Liaoyang Baile Health Care Product Co., Ltd., Liaoyang (CN)**

(72) Inventor: **Xueliang Chen, Liaoyang (CN)**

(**) Term: **15 Years**

(21) Appl. No.: **29/569,214**

(22) Filed: **Jun. 24, 2016**

(51) **LOC (11) Cl.** **28-03**

(52) **U.S. Cl.**
USPC **D24/215**

(58) **Field of Classification Search**
USPC D24/200, 211, 212, 213, 214, 215, 125;
601/19, 22, 27-32, 46, 52, 99, 112, 113,
601/118, 125, 143, DIG. 12, DIG. 14,
601/DIG. 15, DIG. 16, DIG. 17; D8/367,
D8/368, 369, 370
CPC A61H 1/0266; A61H 2015/0007; A61H
2015/0014; A61H 2015/0042; A61H
2015/0035; A61H 15/00; A61H 7/003;
A61H 7/005; A61H 7/00; A61H
2001/027; A61H 11/00; A61H 19/00;
A61H 19/30; A61H 19/32; A61H 19/34;
A61H 19/40; A61H 19/44; A61H 19/50;
A61H 21/00

See application file for complete search history.

(56) **References Cited**

U.S. PATENT DOCUMENTS

D358,207 S *	5/1995	Glaug	D24/125
D461,242 S *	8/2002	Brisebois	D24/125
D530,429 S *	10/2006	Sevier	D24/214
D594,979 S *	6/2009	Desautels	D24/124
D698,933 S *	2/2014	Pan	D24/212
2013/0345606 A1 *	12/2013	Ehrenreich	A61H 1/00 601/46

* cited by examiner

Primary Examiner — Sandra Snapp

(74) *Attorney, Agent, or Firm* — Novoclaims Patent Services LLC; Mei Lin Wong

(57) **CLAIM**

The ornamental design for a remote controlled personal massager with wings, as shown and described.

DESCRIPTION

FIG. 1 is a perspective view of a remote controlled personal massager with wings, showing my new design.

FIG. 2 is another perspective view thereof, shown from a different angle.

FIG. 3 is a front elevational view thereof.

FIG. 4 is a rear elevational view thereof.

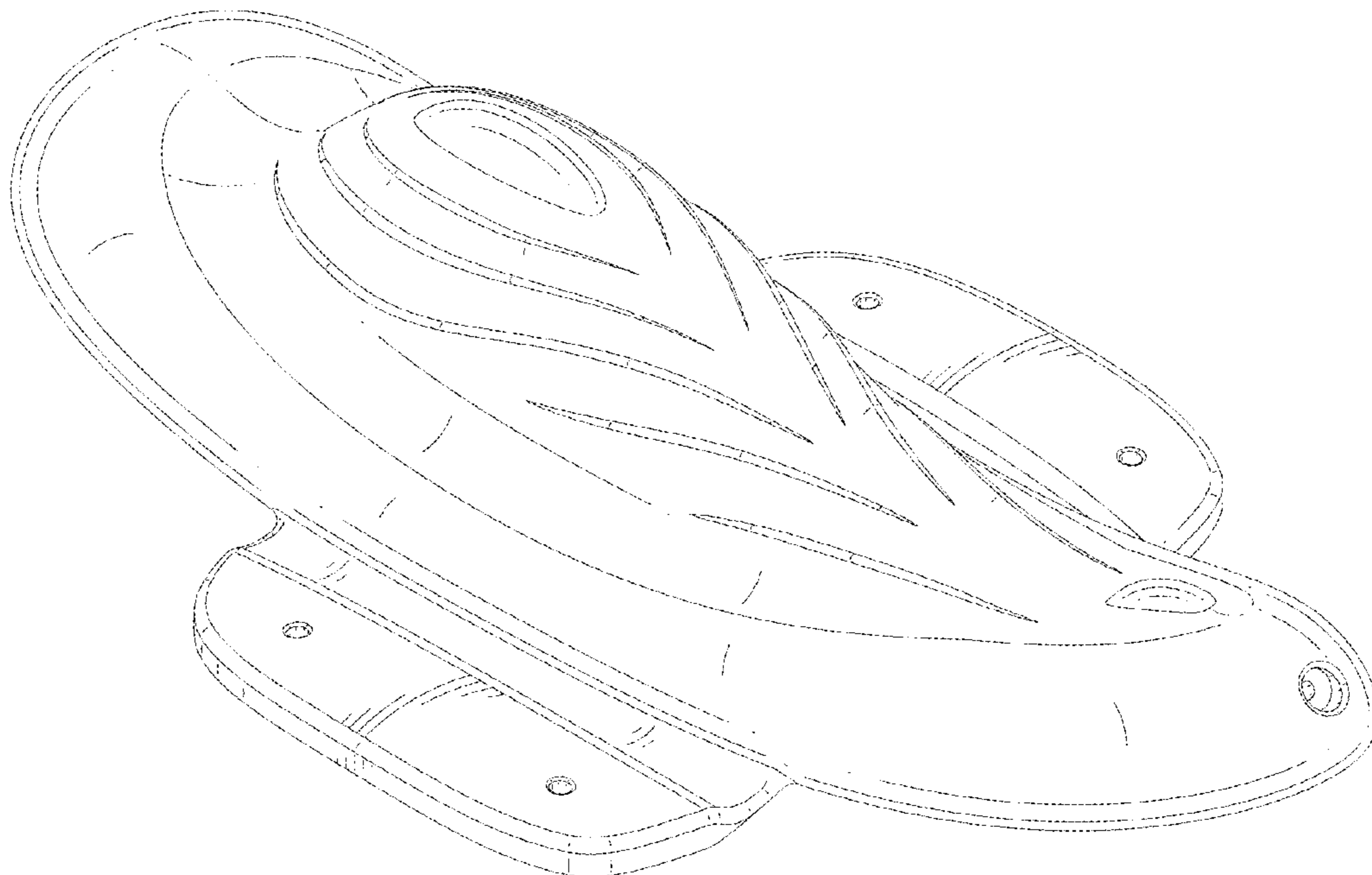
FIG. 5 is a left side elevational view thereof.

FIG. 6 is a right side elevational view thereof.

FIG. 7 is a top plan view thereof; and,

FIG. 8 is a bottom plan view thereof.

1 Claim, 8 Drawing Sheets



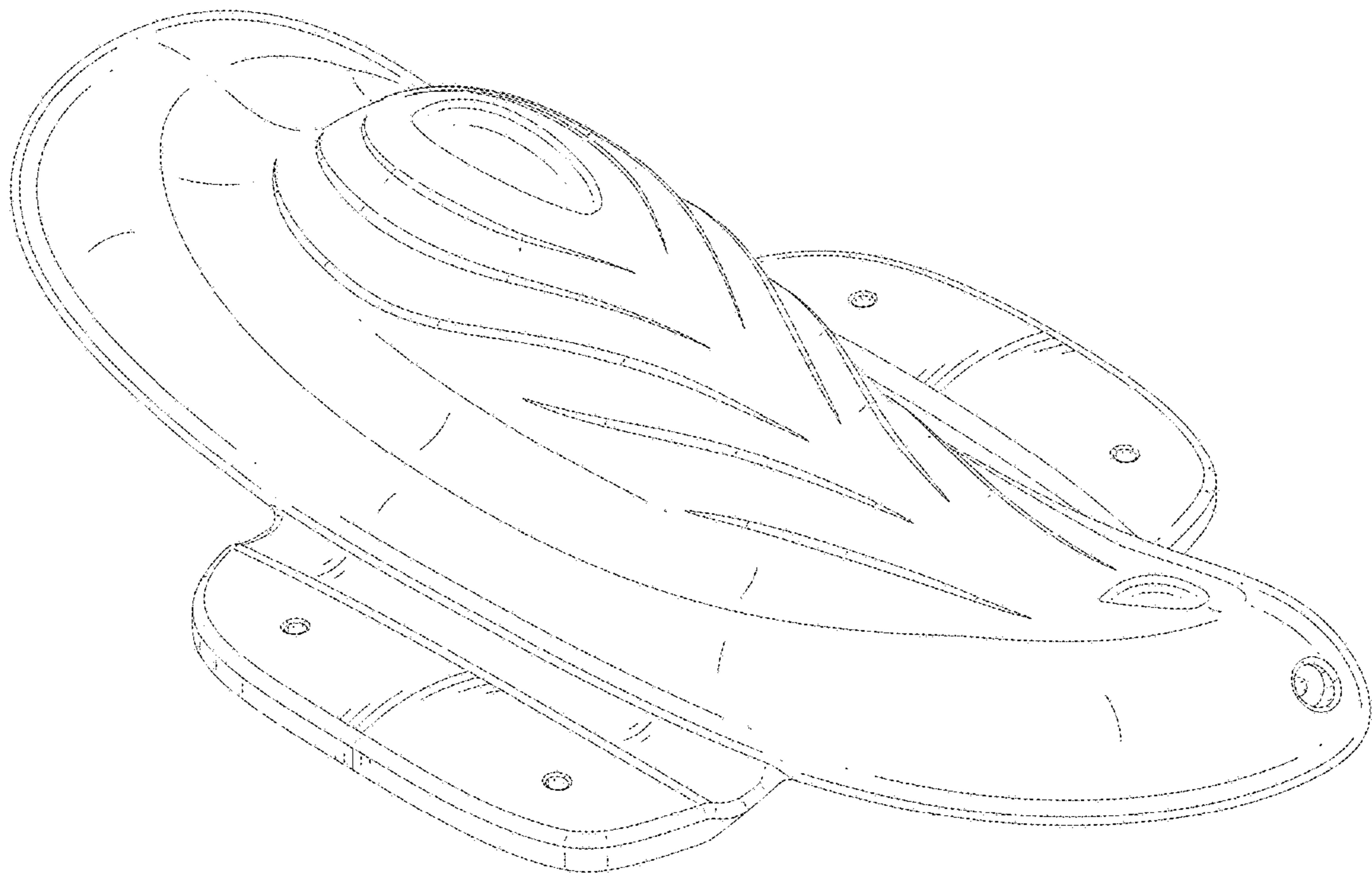


FIG.1

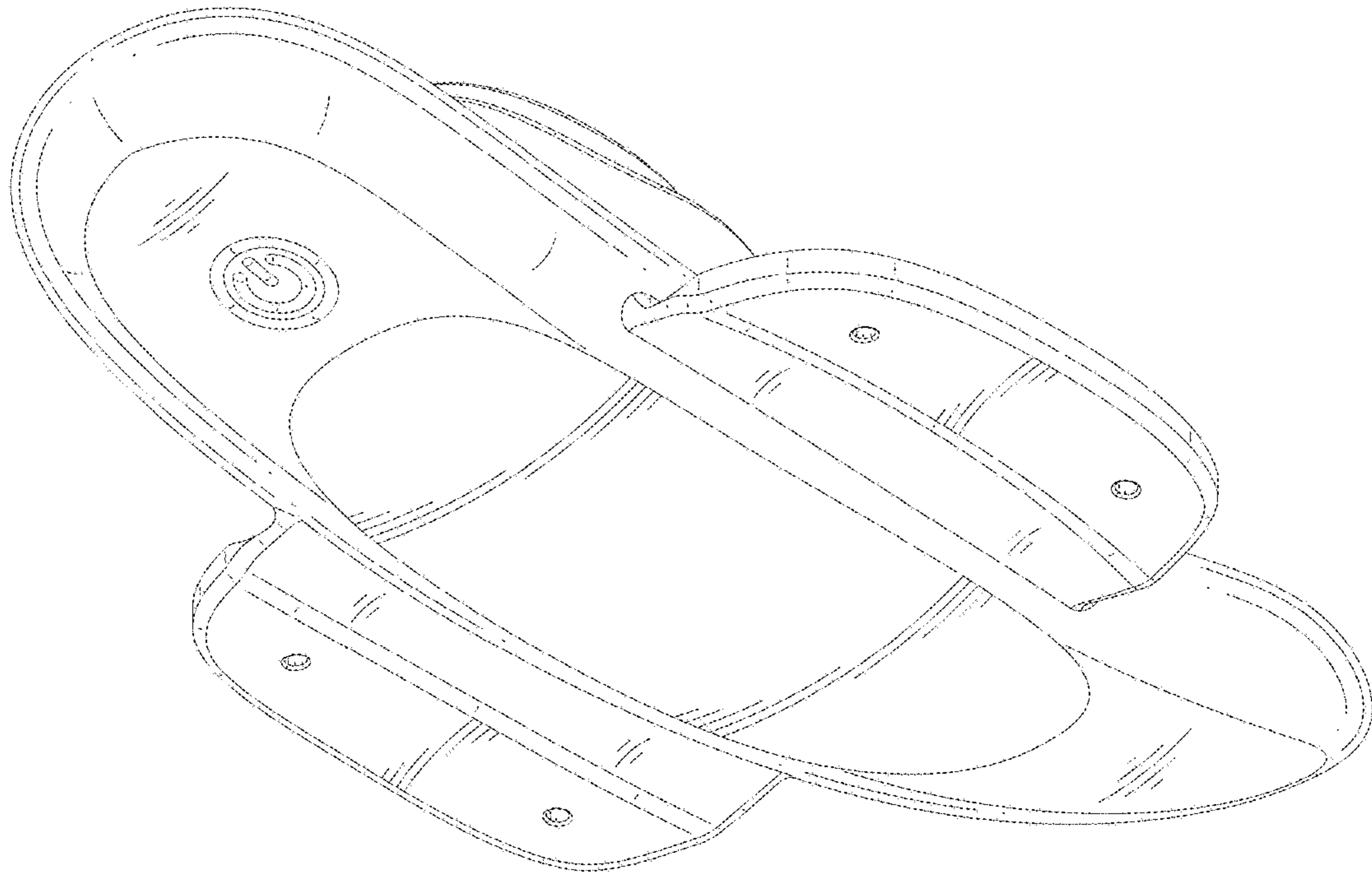


FIG.2

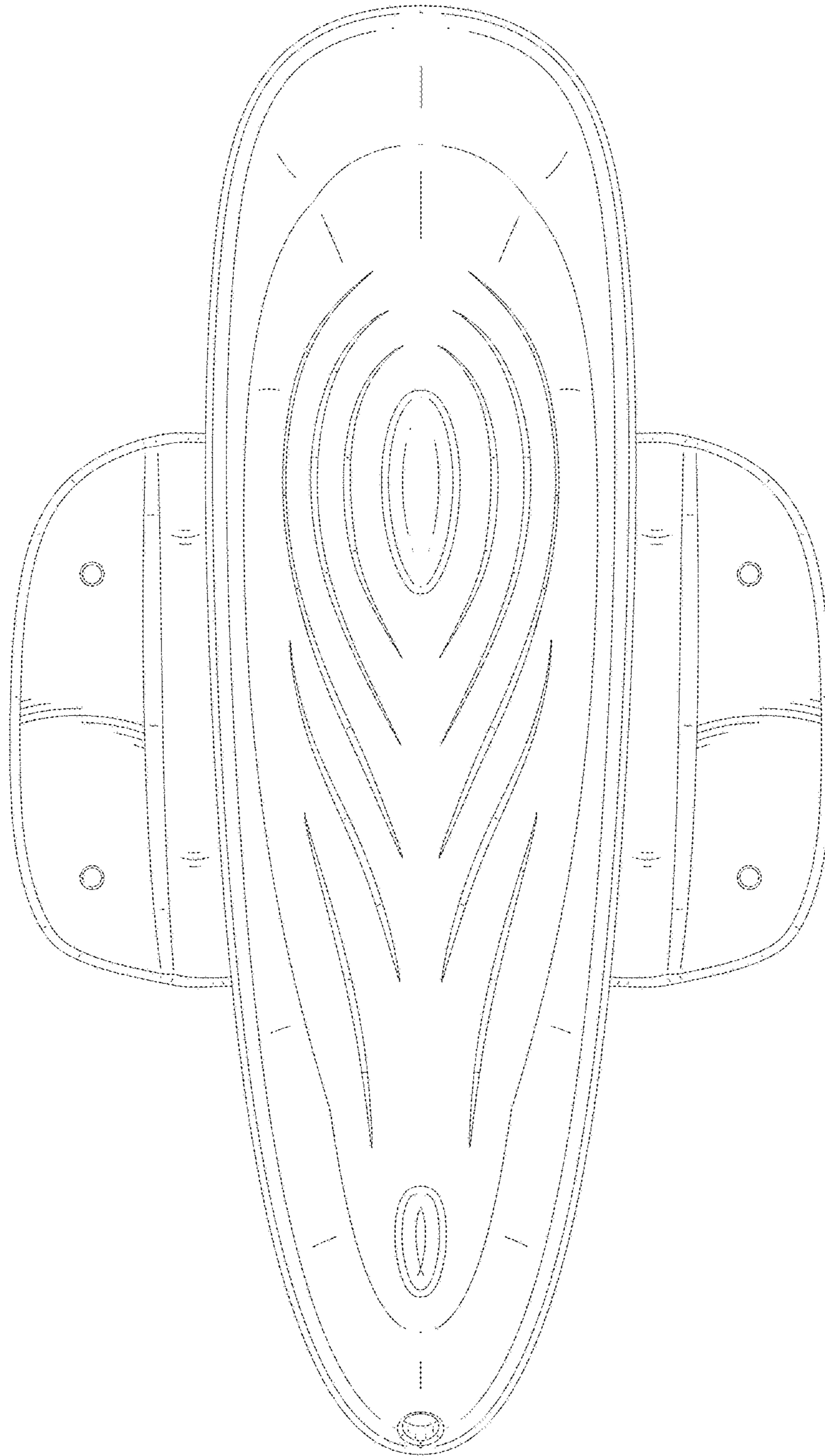


FIG.3

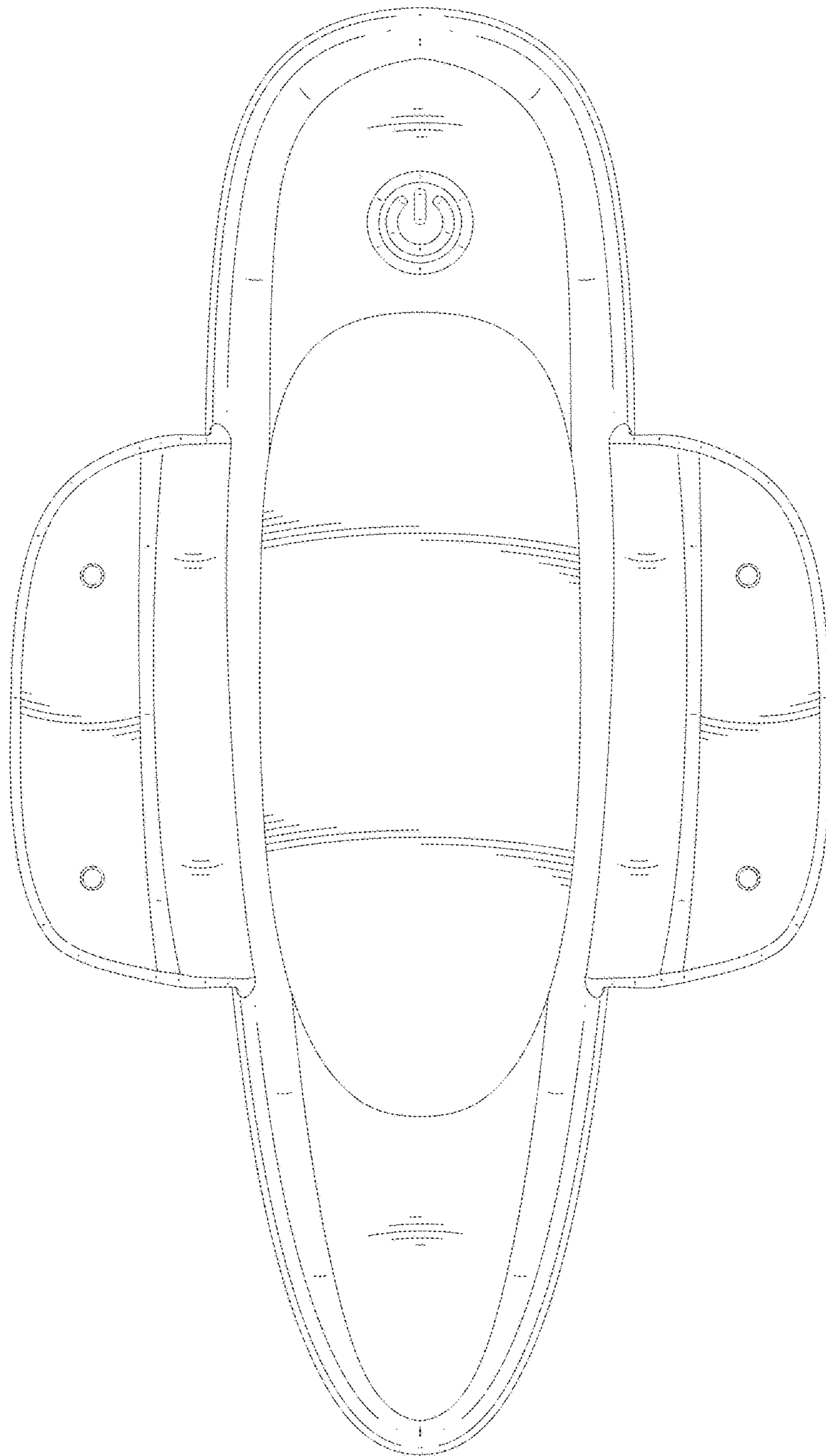


FIG.4

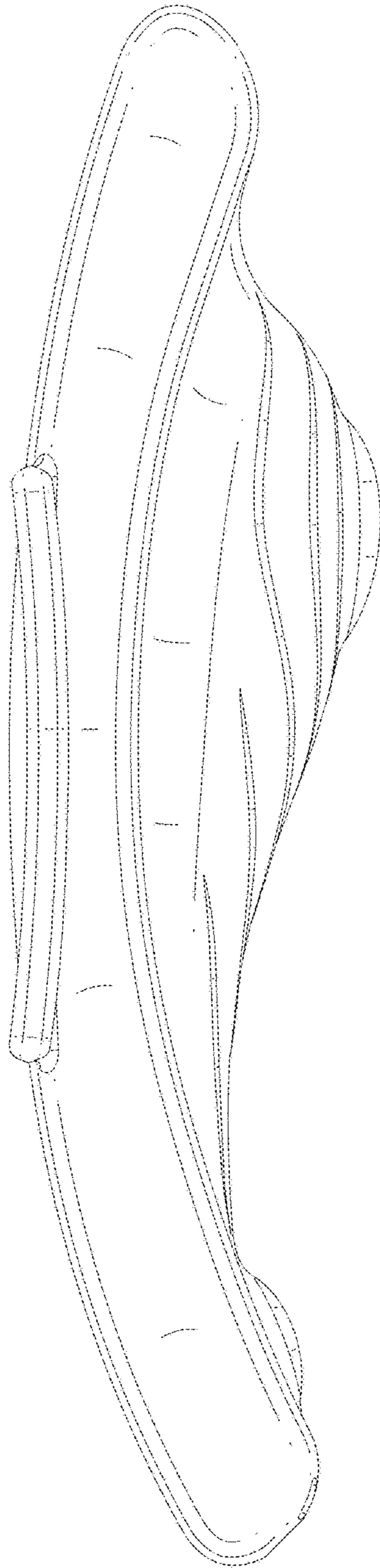


FIG.5

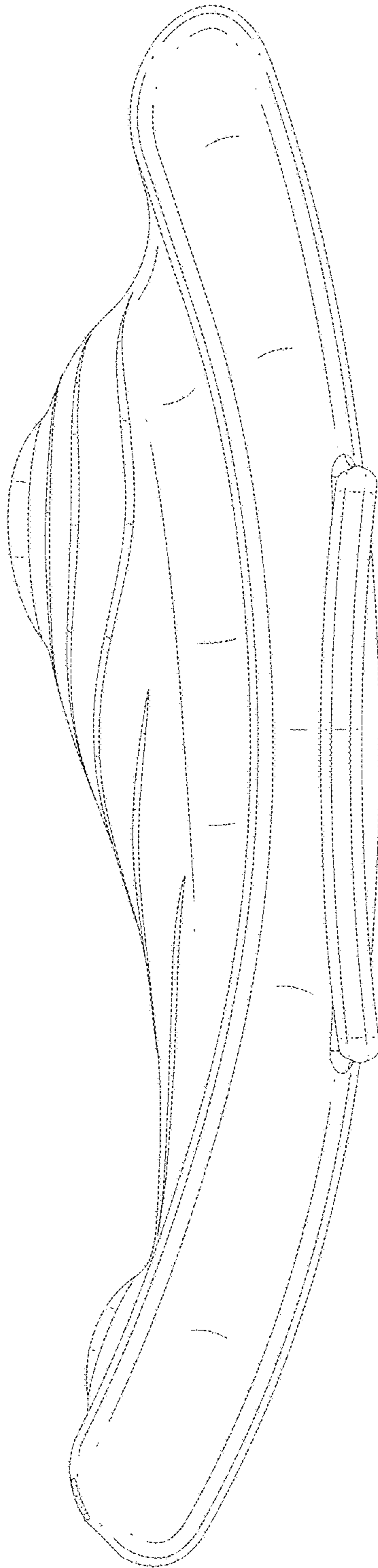


FIG.6

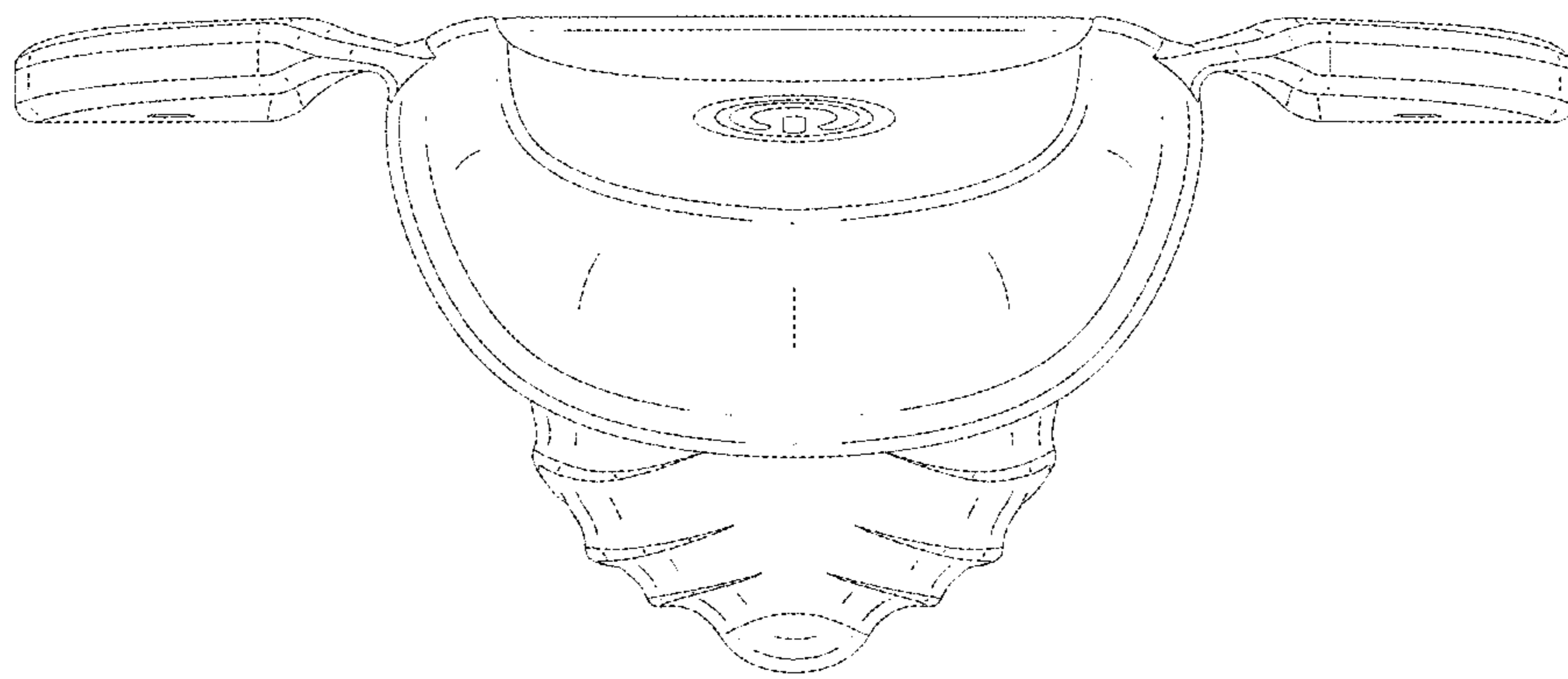


FIG.7

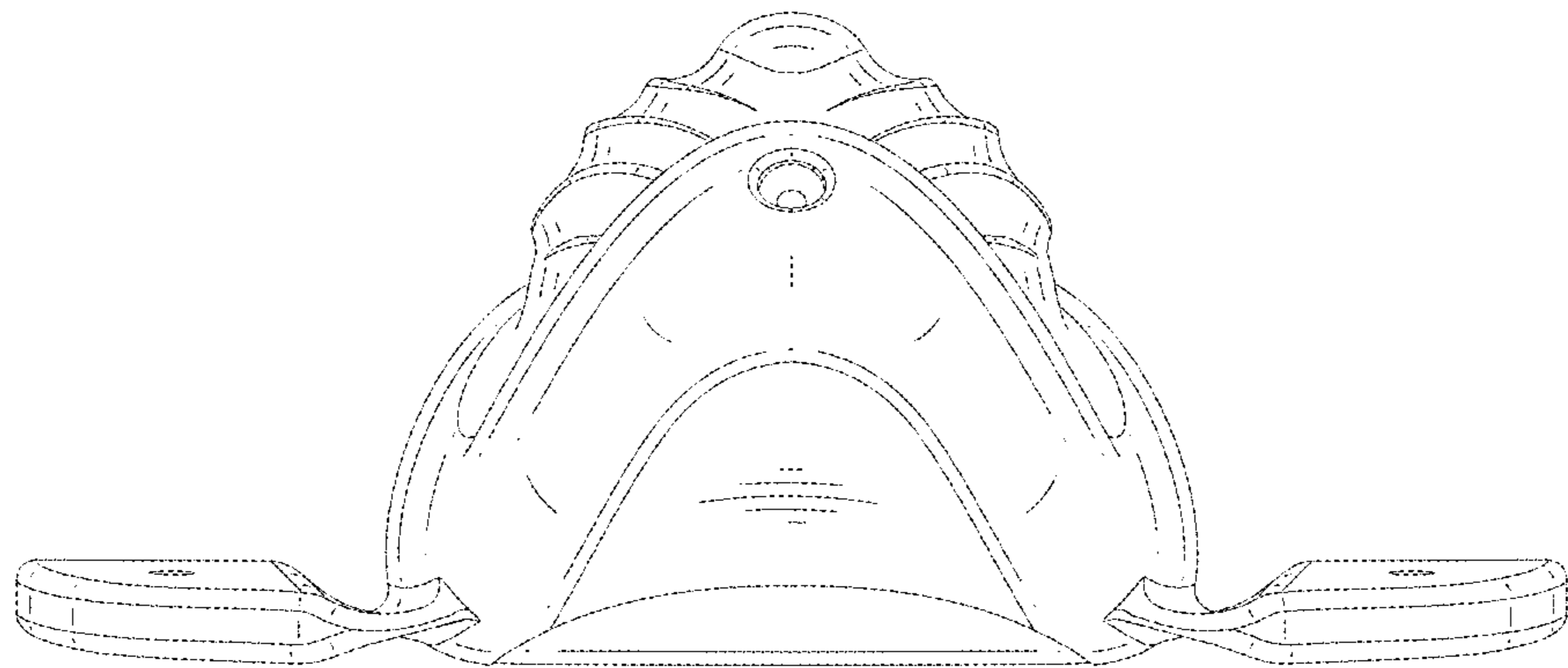


FIG.8