



US00D820459S

(12) **United States Design Patent**
Eenboom et al.

(10) **Patent No.:** **US D820,459 S**
(45) **Date of Patent:** **** Jun. 12, 2018**

(54) **PATIENT TABLE**

(71) Applicant: **Siemens Aktiengesellschaft**, München (DE)

(72) Inventors: **Frauke Eenboom**, Erlangen (DE); **Florian Hilbig**, Berg (DE); **Christof Knöß**, Pretzfeld (DE); **Stefan Reichelt**, Bamberg (DE)

(73) Assignee: **Siemens Aktiengesellschaft**, Munich (DE)

(**) Term: **14 Years**

(21) Appl. No.: **29/520,007**

(22) Filed: **Mar. 10, 2015**

Related U.S. Application Data

(62) Division of application No. 29/490,741, filed on May 13, 2014, now Pat. No. Des. 748,804.

Foreign Application Priority Data

Nov. 13, 2013 (EM) 001389563

(51) **LOC (11) Cl.** **24-01**

(52) **U.S. Cl.**
USPC **D24/183**

(58) **Field of Classification Search**

USPC D24/159, 183, 184; D6/382-383; 128/845, 847, 849, 878; 248/70, 206.5; 250/395; 378/20, 69, 209; 5/600, 601, 5/607-612, 614, 616, 617, 623; 600/407, 600/410, 411, 415, 427; 604/95.01, 174
CPC A61B 17/02; A61B 34/30; A61B 34/37; A61B 34/71; A61B 46/00; A61B 5/055; A61B 5/0555; A61B 6/032; A61B 6/35; A61B 6/04; A61B 6/0407; A61B 6/0421; A61B 6/0442; A61B 6/0457; A61G 13/00; A61G 13/0009; A61G 13/0018; A61G 13/0036; A61G 13/009; A61G 13/02; A61G 13/04; A61G 13/08; A61G

13/10; A61G 13/101; A61G 13/104; A61G 13/105; A61G 13/12; A61G 13/121; A61G 13/1235; A61G 7/00; A61G 7/0005; A61G 7/001; A61G (Continued)

(56) **References Cited**

U.S. PATENT DOCUMENTS

D434,151 S * 11/2000 Fanuzzi D24/183
D441,868 S * 5/2001 Rodenas Santiago D24/183
(Continued)

Primary Examiner — Ian Simmons

Assistant Examiner — Mark Cavanna

(74) *Attorney, Agent, or Firm* — Schiff Hardin, LLP

(57) **CLAIM**

The ornamental design for a patient table, as shown and described.

DESCRIPTION

FIG. 1 is a front elevational view of a patient table showing our new design;

FIG. 2 is a rear elevational view thereof;

FIG. 3 is a top plan view thereof;

FIG. 4 is a bottom plan view thereof;

FIG. 5 is a right side elevational view thereof;

FIG. 6 is a left side elevational view thereof;

FIG. 7 is a perspective view taken generally from a direction between the front and right sides thereof;

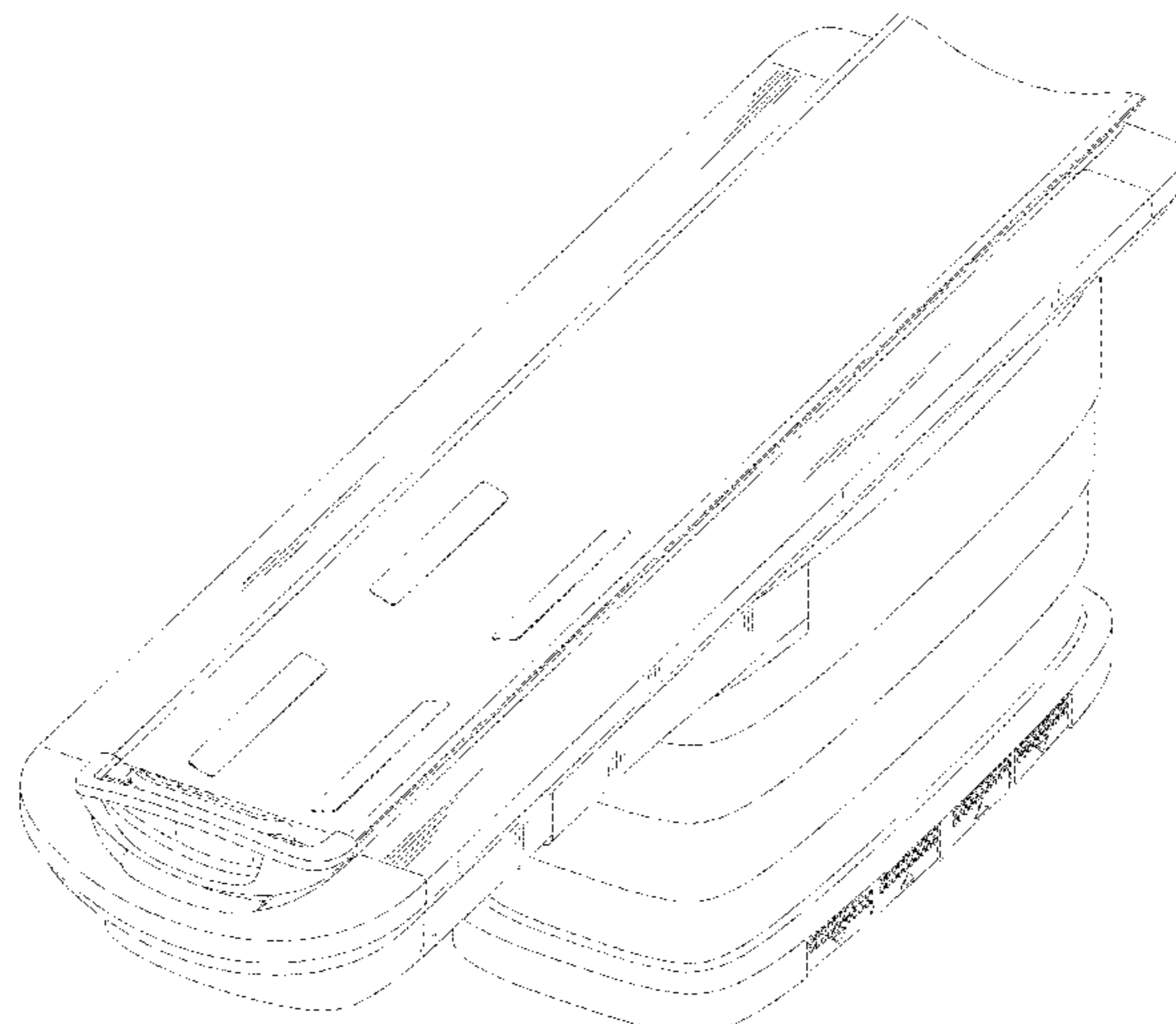
FIG. 8 is an enlarged view of the patient table as shown in FIG. 1;

FIG. 9 is an enlarged view of the patient table as shown in FIG. 2; and,

FIG. 10 is an enlarged view of the patient table as shown in FIG. 7.

The broken lines shown in the drawings represent portions of the patient table that form no part of the claimed design.

1 Claim, 10 Drawing Sheets



(58) **Field of Classification Search**
 CPC 7/005; A61G 7/012; A61G 7/015; A61G
 7/05; A61G 7/0503; A61G 7/065; A61G
 7/1019
 See application file for complete search history.

(56) **References Cited**

U.S. PATENT DOCUMENTS

D453,968 S * 2/2002 Zachrisson D24/183
 6,484,334 B1 * 11/2002 Borders A61G 13/08
 5/600
 6,973,689 B2 * 12/2005 Lenting A61B 6/0457
 378/209
 D553,246 S * 10/2007 Banryu D24/183
 7,761,941 B2 * 7/2010 Loser A61B 5/055
 378/209
 D630,330 S * 1/2011 Baba D24/159
 7,979,932 B2 * 7/2011 Liang A61G 13/08
 5/612
 D681,208 S * 4/2013 Ninomiya D24/159
 8,539,622 B2 * 9/2013 West A61B 46/00
 5/623
 8,633,827 B2 * 1/2014 Lakshminarayanan .. A61B 6/04
 5/600
 D701,605 S * 3/2014 Ohmukai D24/183
 8,689,377 B2 * 4/2014 Hannemann A61B 6/04
 600/407
 D726,319 S * 4/2015 Sul D24/159

8,997,281 B2 * 4/2015 Daley A61G 13/101
 5/600
 D731,068 S * 6/2015 Moon D24/183
 D735,864 S * 8/2015 Doerre D24/159
 D743,555 S * 11/2015 Hasebe D24/159
 D745,971 S * 12/2015 Sharps D24/183
 9,233,042 B1 * 1/2016 Freude A61G 13/10
 D748,804 S * 2/2016 Eenboom D24/183
 9,265,680 B2 * 2/2016 Sharps A61G 13/04
 D752,757 S * 3/2016 Li D24/159
 D770,049 S * 10/2016 Yanagihara D24/183
 2004/0216232 A1 * 11/2004 Bradcovich A61B 6/0442
 5/601
 2007/0197908 A1 * 8/2007 Ruchala A61B 6/0457
 600/427
 2008/0243064 A1 * 10/2008 Stahler A61B 34/71
 604/95.01
 2009/0144902 A1 * 6/2009 Baumann A61G 13/04
 5/608
 2009/0306494 A1 * 12/2009 Scarth A61B 5/0555
 600/411
 2010/0193698 A1 * 8/2010 Hassan A61B 6/04
 250/395
 2015/0289829 A1 * 10/2015 Yamada A61B 6/032
 378/20
 2015/0320382 A1 * 11/2015
 Martinez
 Ferreira A61B 6/0457
 378/69
 2017/0020466 A1 * 1/2017 Moulin A61B 6/0442

* cited by examiner

FIG 1

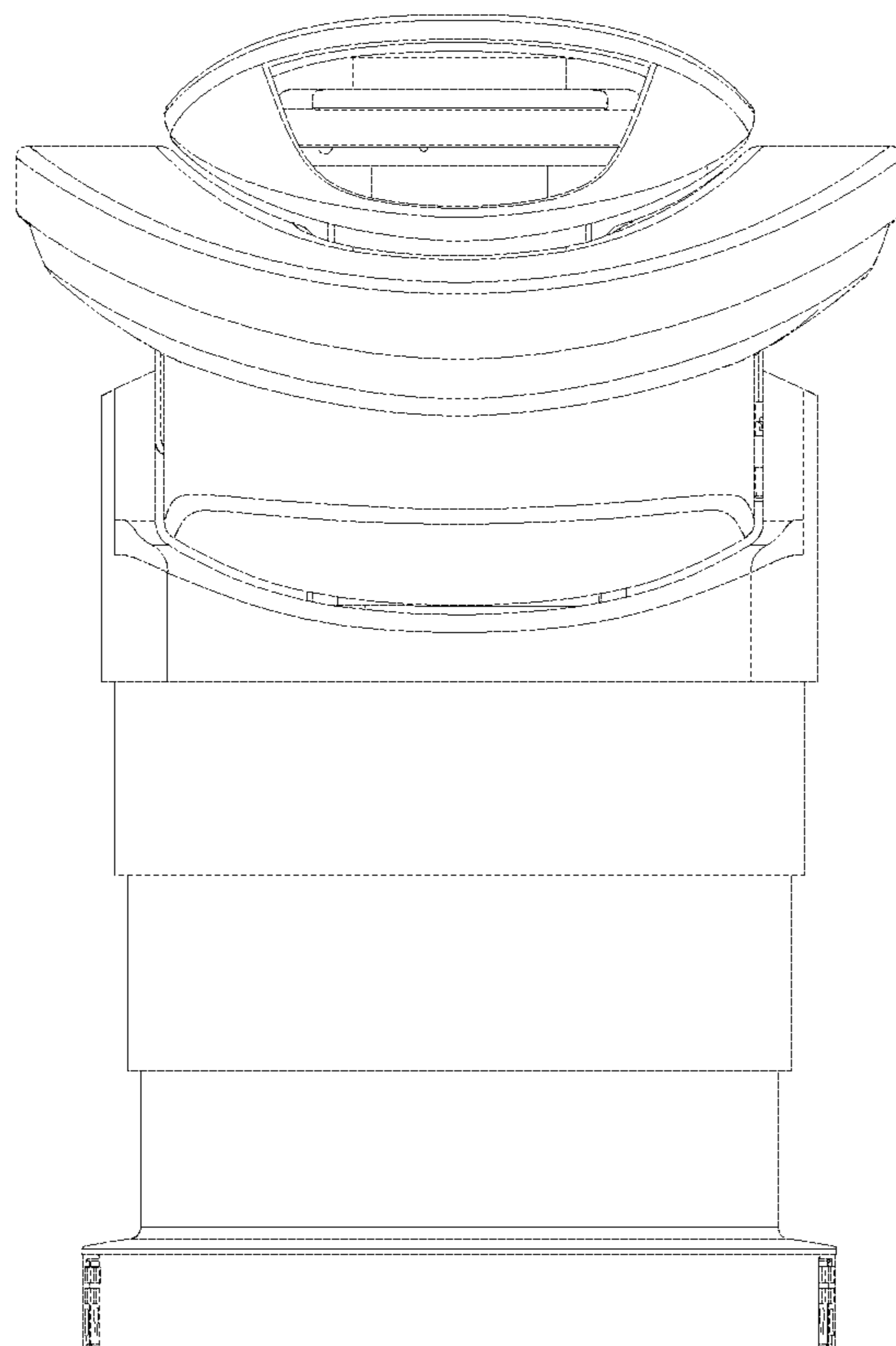


FIG 2

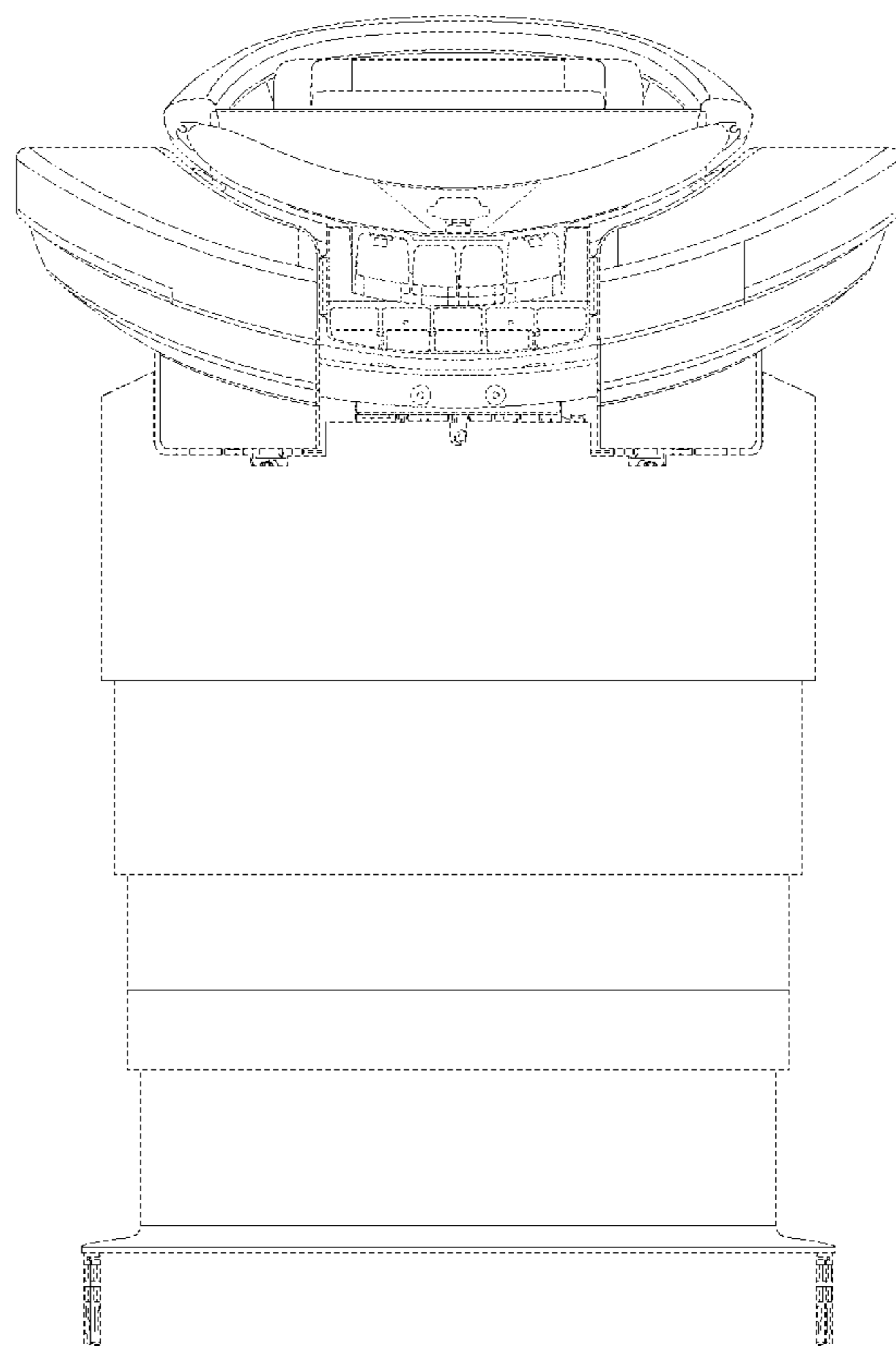


FIG 3

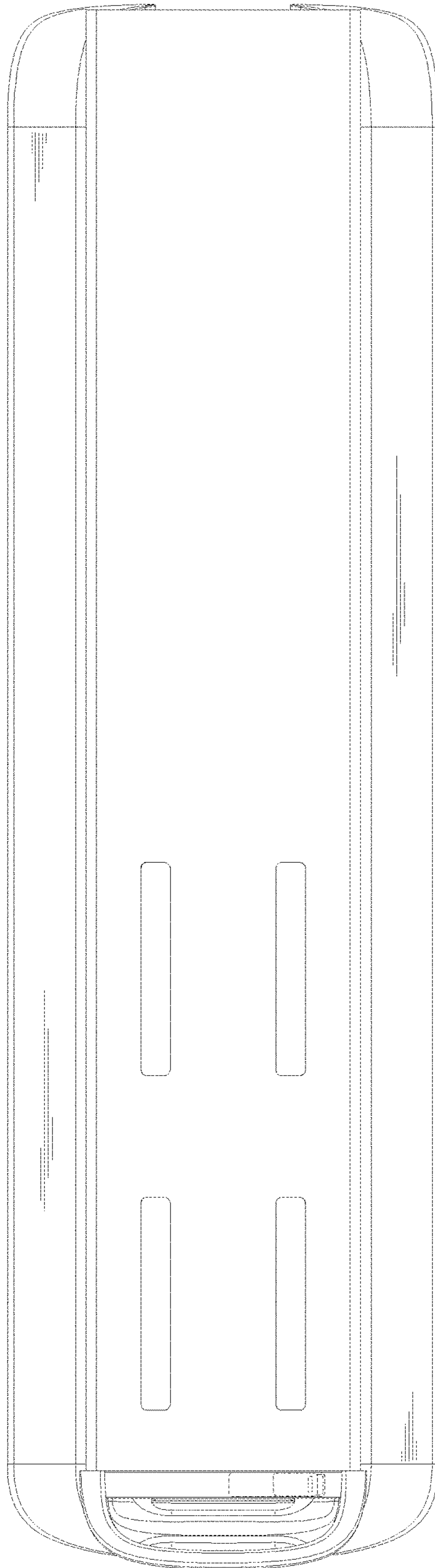


FIG 4

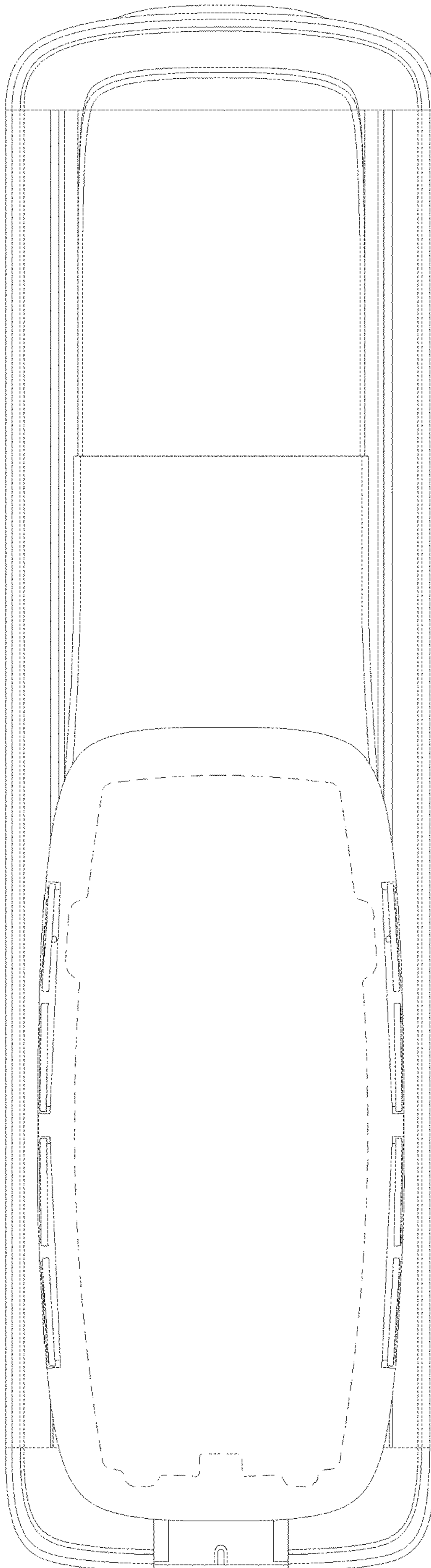


FIG 5

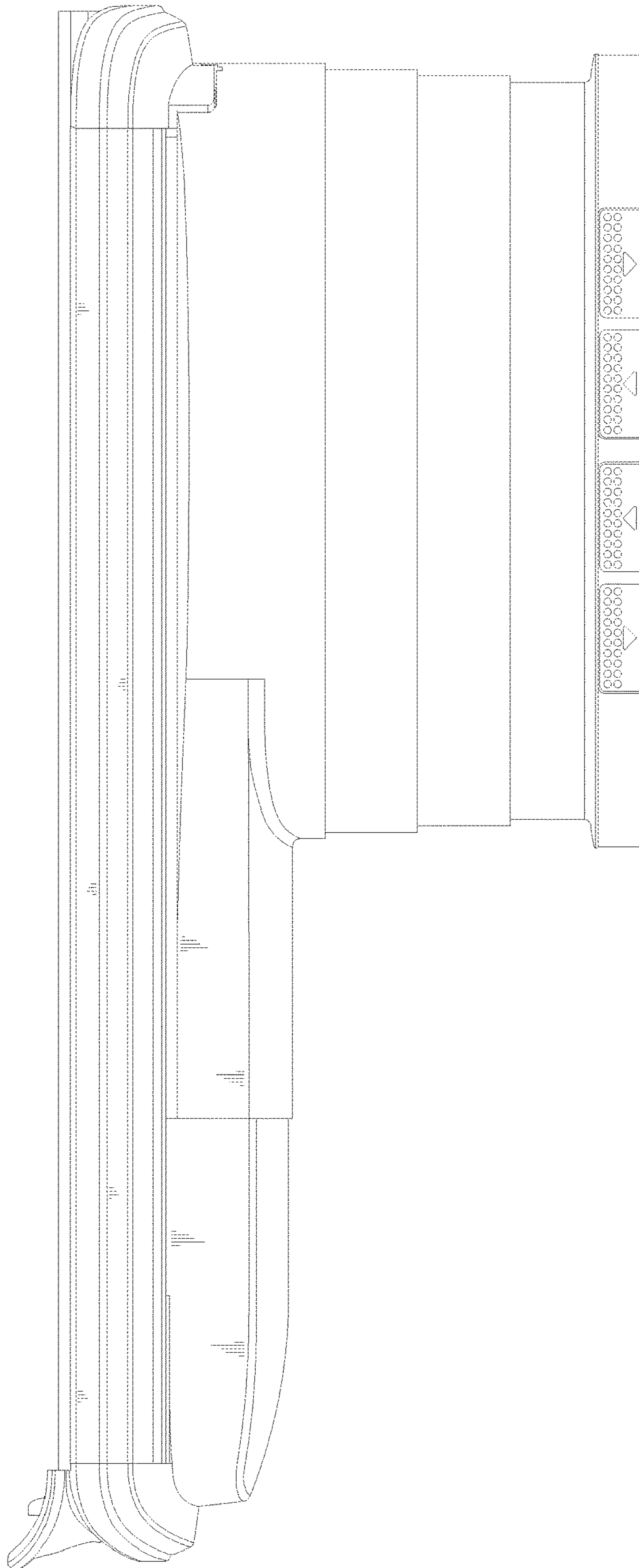


FIG 6

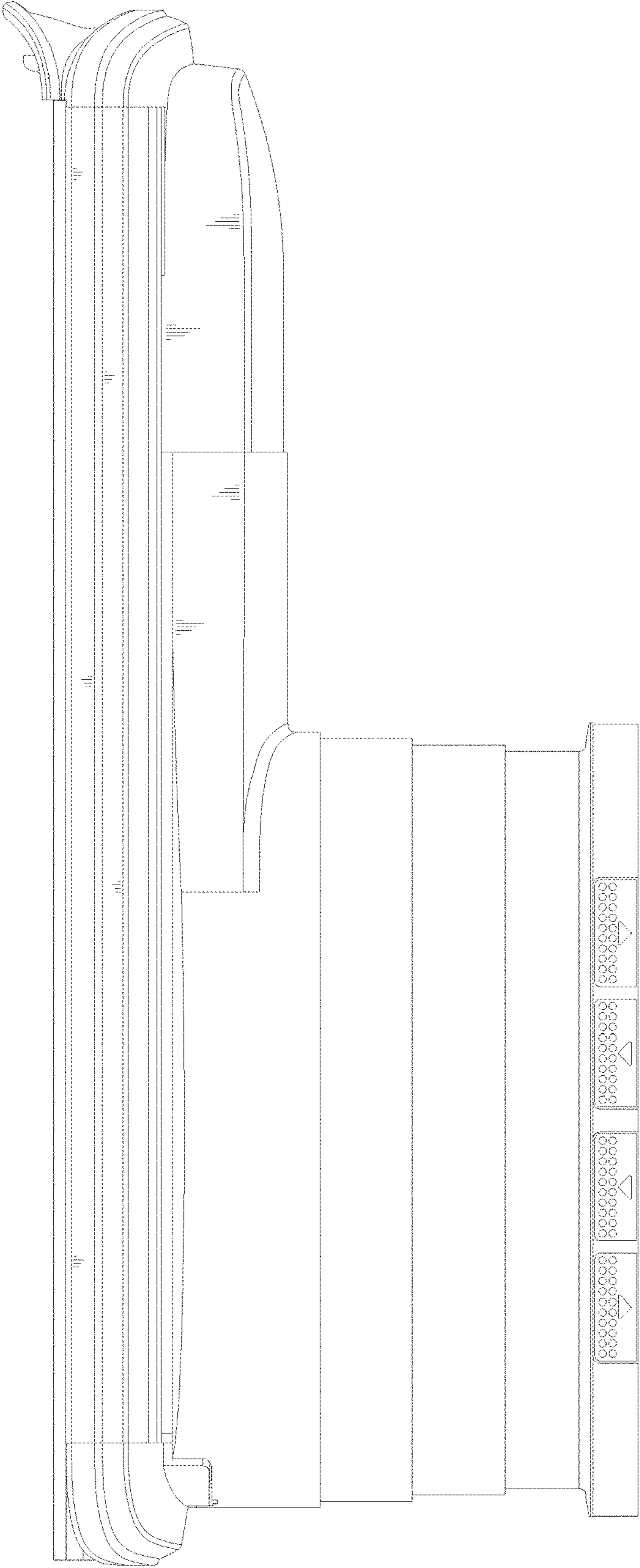


FIG 7

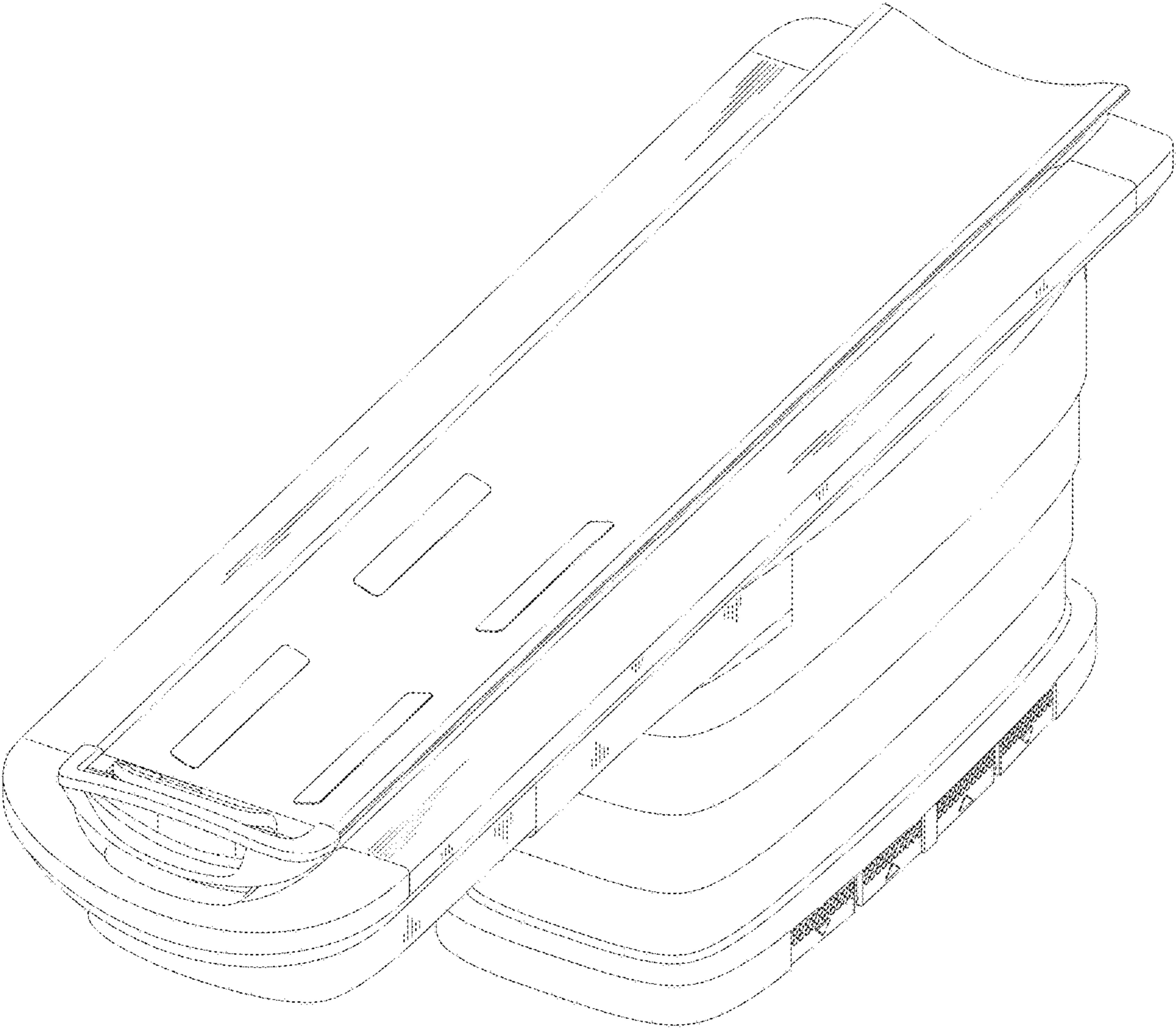


FIG. 8

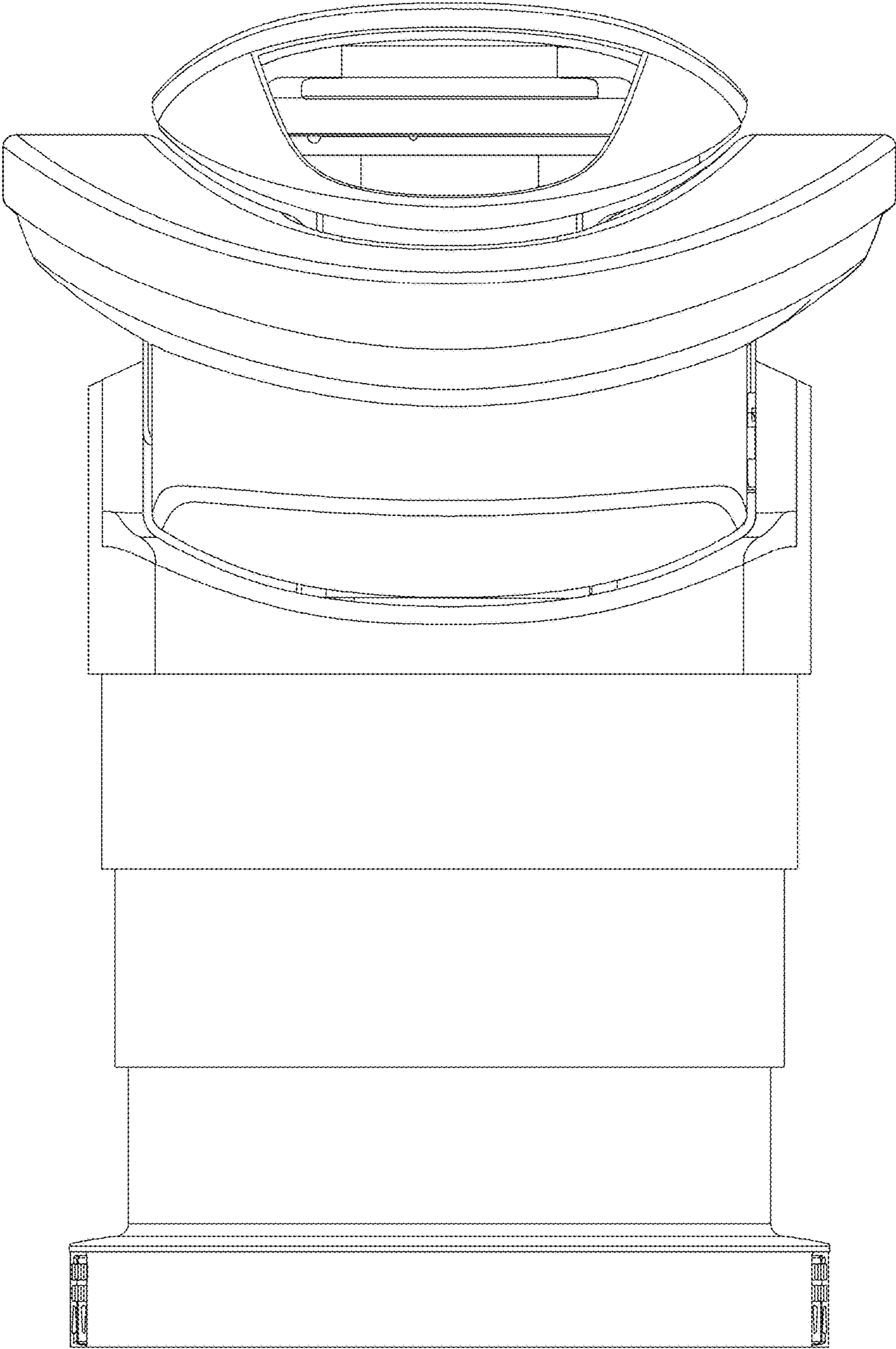
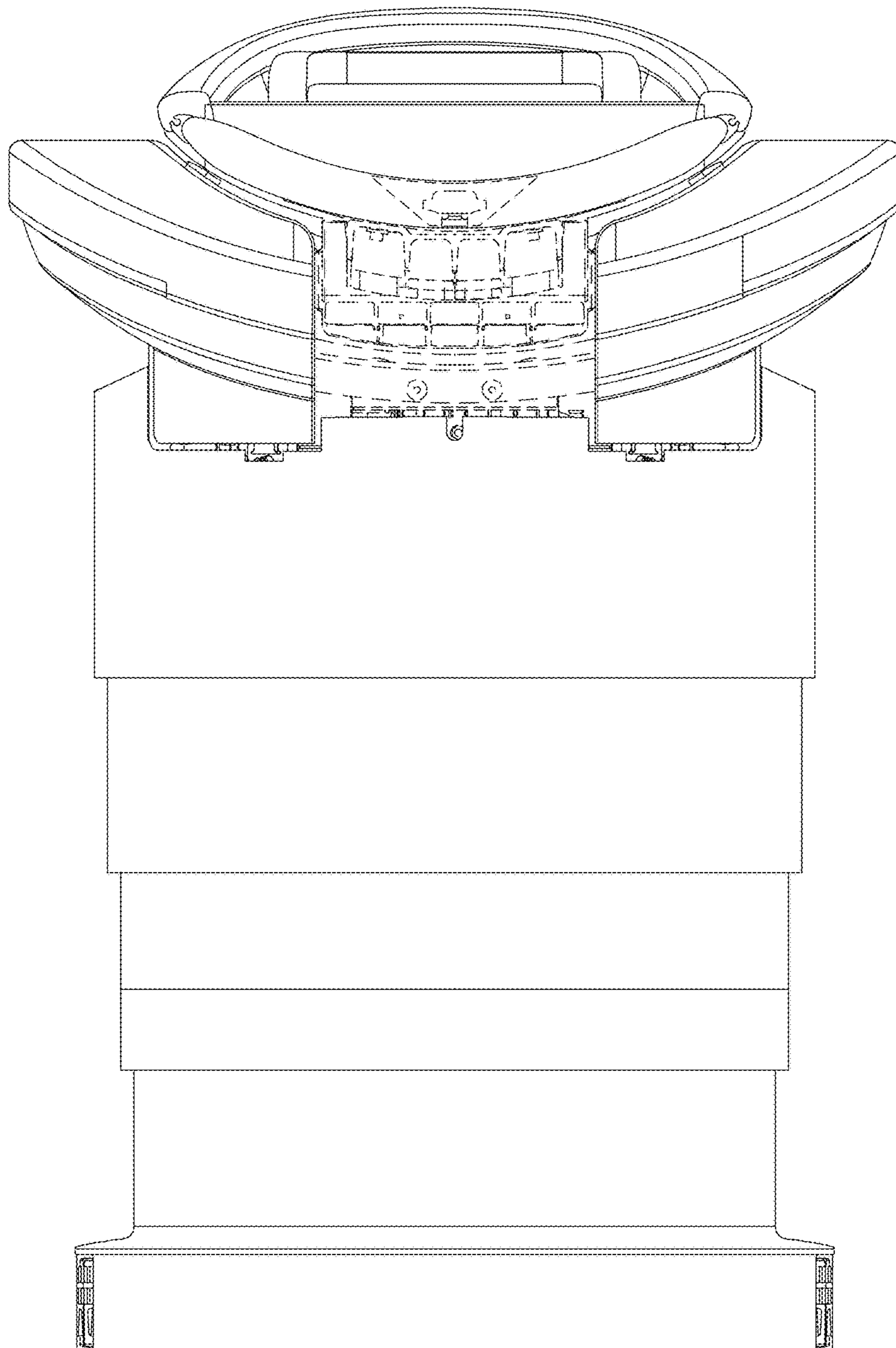


FIG. 9



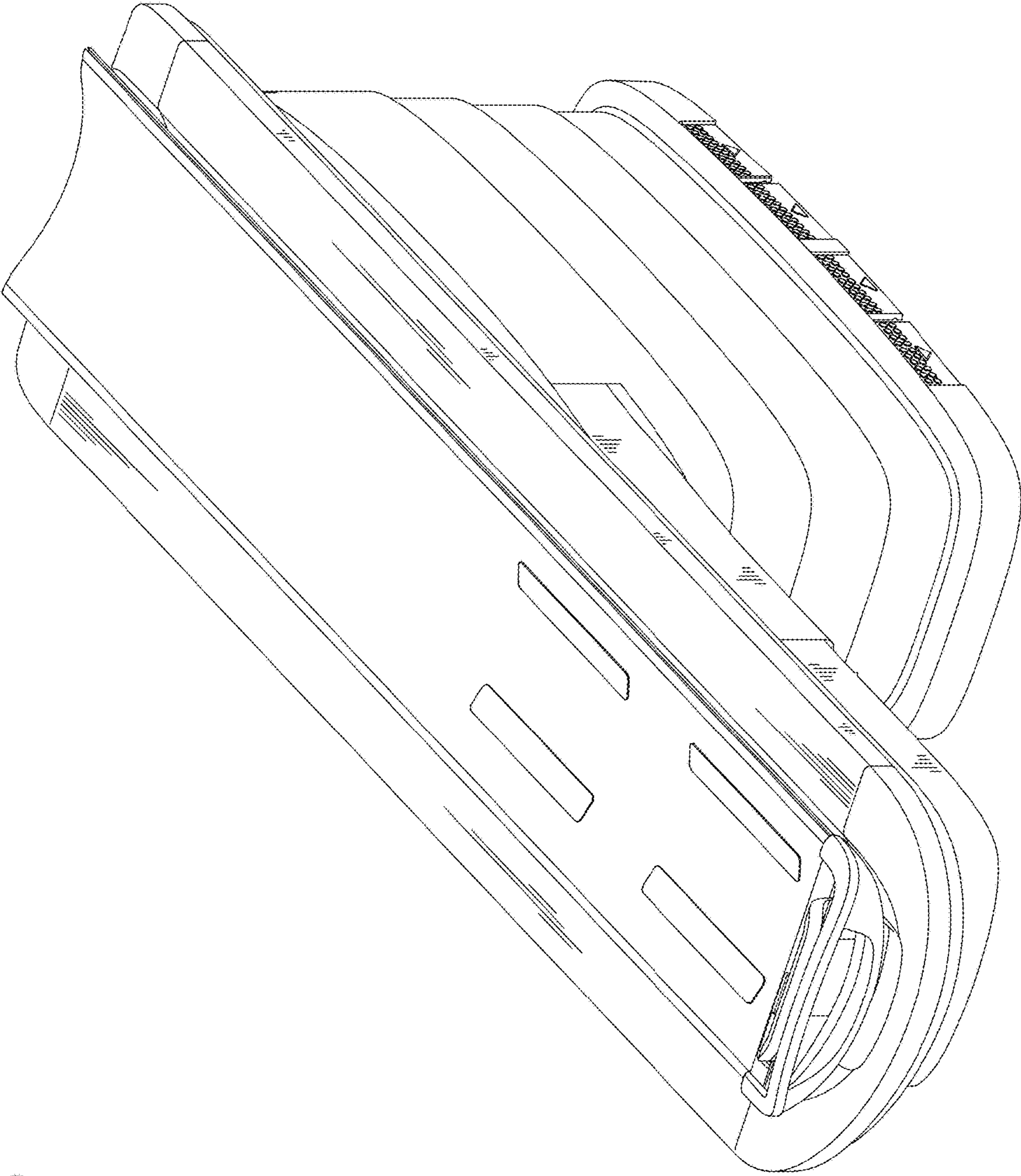


FIG. 10