



US00D820455S

(12) **United States Design Patent**
Milligan et al.

(10) **Patent No.:** **US D820,455 S**
(45) **Date of Patent:** **** Jun. 12, 2018**

- (54) **FILTER COVER OF A POWERED AIR PURIFYING RESPIRATOR**
- (71) Applicant: **Lincoln Global, Inc.**, City of Industry, CA (US)
- (72) Inventors: **Jack Lee Milligan**, Mentor, OH (US);
Jamy Edward Bulan, Lakewood, OH (US)
- (73) Assignee: **LINCOLN GLOBAL, INC.**, City of Industry, CA (US)
- (**) Term: **15 Years**
- (21) Appl. No.: **29/529,656**
- (22) Filed: **Jun. 9, 2015**
- (51) **LOC (11) Cl.** **24-00**
- (52) **U.S. Cl.**
USPC **D24/164**
- (58) **Field of Classification Search**
USPC ... D24/164, 110, 108, 185, 110.1, 216, 162,
D24/224, 110.4; D23/356, 364; D15/9
CPC A62B 7/10; A62B 23/025; A61B 5/14555
See application file for complete search history.

- 6,102,033 A 8/2000 Baribeu
 - 6,123,077 A 9/2000 Bostock
 - 6,186,140 B1 2/2001 Hoague
 - 6,250,299 B1 6/2001 Danisch
 - 6,279,572 B1 8/2001 Danisch
 - 6,298,498 B1 10/2001 Burns
- (Continued)

OTHER PUBLICATIONS

U.S. Appl. No. 14/191,657, filed Feb. 27, 2014, Method of Making a Filter Seal.
(Continued)

Primary Examiner — Rhea Shields
(74) *Attorney, Agent, or Firm* — Perkins Coie LLP

(57) **CLAIM**

The ornamental design for a filter cover of a powered air purifying respirator, as shown and described.

DESCRIPTION

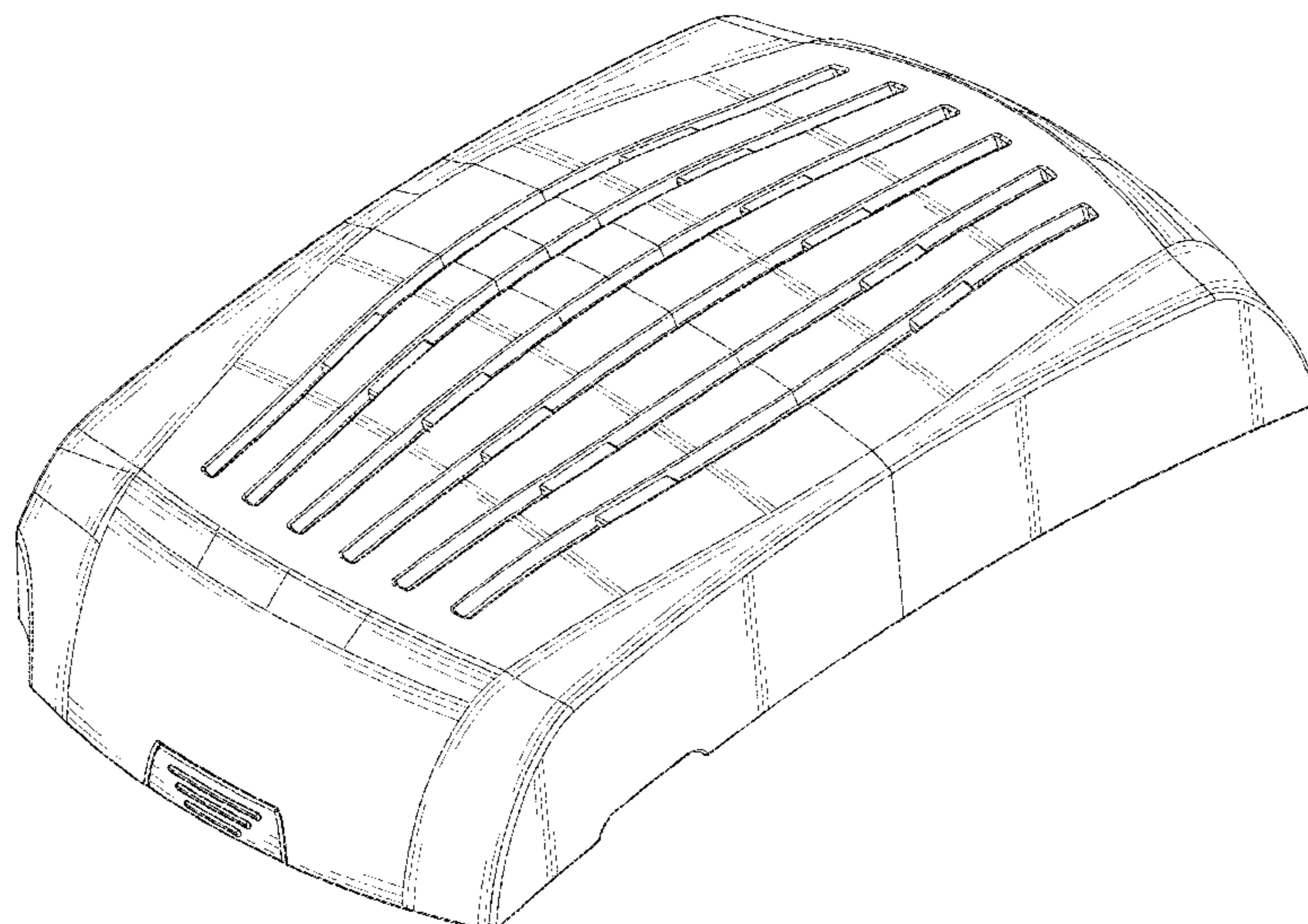
FIG. 1 is a perspective view of the design for the filter cover of a powered air purifying respirator;
FIG. 2 is a front view of a design for the filter cover of a powered air purifying respirator;
FIG. 3 is a back view of a design for the filter cover of a powered air purifying respirator;
FIG. 4 is a bottom view of a design for the filter cover of a powered air purifying respirator;
FIG. 5 is a top view of a design for the filter cover of a powered air purifying respirator;
FIG. 6 is a right hand view of a design for the filter cover of a powered air purifying respirator; and,
FIG. 7 is a left hand view of a design for the filter cover of a powered air purifying respirator.
In the drawings, the broken lines are for the purpose of illustrating environment only and form no part of the claimed design.

1 Claim, 5 Drawing Sheets

(56) **References Cited**

U.S. PATENT DOCUMENTS

- 2,964,038 A * 12/1960 Silverman A62B 23/025
128/206.15
- 5,091,997 A 3/1992 Foehl
- 5,230,101 A 7/1993 Hedges
- 5,461,731 A 10/1995 Shida
- 5,924,420 A 7/1999 Reischel
- D414,861 S * 10/1999 Metzger D24/110
- D416,649 S 11/1999 Burns
- 6,014,971 A 1/2000 Danish
- 6,016,805 A 1/2000 Burns
- 6,035,451 A 3/2000 Burns
- 6,062,221 A 5/2000 Brostrom
- 6,081,931 A 7/2000 Burns



(56)

References Cited

U.S. PATENT DOCUMENTS

D452,911 S * 1/2002 Danielsson D24/110
 6,367,085 B1 4/2002 Berg
 6,438,763 B2 8/2002 Guay
 6,575,165 B1 6/2003 Cook
 6,666,209 B2 12/2003 Bennett
 6,895,960 B2 5/2005 Fabin
 D526,413 S * 8/2006 Baker D24/164
 7,093,302 B1 8/2006 Burns
 7,197,774 B2 4/2007 Curran
 D577,816 S * 9/2008 Ungar D24/110.1
 7,594,278 B2 9/2009 Huh
 7,748,381 B2 7/2010 Croll
 7,841,026 B2 11/2010 Makris
 7,865,968 B2 1/2011 Lilenthal
 D632,375 S 2/2011 Curran
 D647,209 S * 10/2011 Muller D24/216
 8,056,152 B2 11/2011 Brace
 8,082,600 B2 12/2011 Morin
 D662,672 S 6/2012 Carlburg
 D666,288 S 8/2012 Bainton
 D668,326 S * 10/2012 Bainton D24/110
 D675,789 S 2/2013 Wanhainen
 8,387,162 B2 3/2013 Huh
 D679,375 S * 4/2013 Kenyon D24/110
 D680,641 S * 4/2013 Dwyer D24/110
 D681,190 S * 4/2013 Dwyer D24/110
 8,505,121 B2 8/2013 Ahlgren
 D690,413 S * 9/2013 Abel D24/110
 8,584,265 B2 11/2013 Lilenthal
 8,627,517 B2 1/2014 Ahlgren
 8,745,770 B2 6/2014 Ahlgren
 8,806,662 B2 8/2014 Huh

8,821,621 B2 9/2014 Dwyer
 8,839,788 B2 9/2014 Betz
 8,875,318 B2 11/2014 Huh
 8,955,162 B2 2/2015 Huh
 D728,777 S 5/2015 Spear
 D731,123 S 6/2015 Spear
 D732,670 S * 6/2015 Dwyer D24/162
 9,066,552 B2 6/2015 Ahlgren
 D746,438 S * 12/2015 Dwyer D24/110.1
 D760,902 S * 7/2016 Persson D24/162
 D763,437 S * 8/2016 Dwyer D24/110.1
 D774,180 S * 12/2016 Wu D24/110
 D779,674 S * 2/2017 Blomberg D24/162
 D782,694 S * 3/2017 Wainwright D24/224
 D785,161 S * 4/2017 Dravitzki D24/110.4
 D785,780 S * 5/2017 Scarbrough D24/110.1
 D786,443 S * 5/2017 Blomberg D24/162
 D791,303 S * 7/2017 Pipe D24/108
 D791,329 S * 7/2017 Verma D24/164

OTHER PUBLICATIONS

U.S. Appl. No. 29/529,655, filed Jun. 9, 2015, Battery of a Powered Air Purifying Respirator.
 U.S. Appl. No. 29/529,652, filed Jun. 9, 2015, Main Body of Powered Air Purifying Respirator.
 U.S. Appl. No. 29/529,657, filed Jun. 9, 2015, Extended Battery of Powered Air Purifying Respirator.
 U.S. Appl. No. 29/529,660, filed Jun. 9, 2015, Belt Bracket of Powered Air Purifying Respirator.
 PAPR Powered Air Purifying Respirator; "The Power of the Blue", Welding Protection; Miller Electric Mfg. Co.; www.MillerWelds.com; pp. 1-2; Apr. 2009.

* cited by examiner

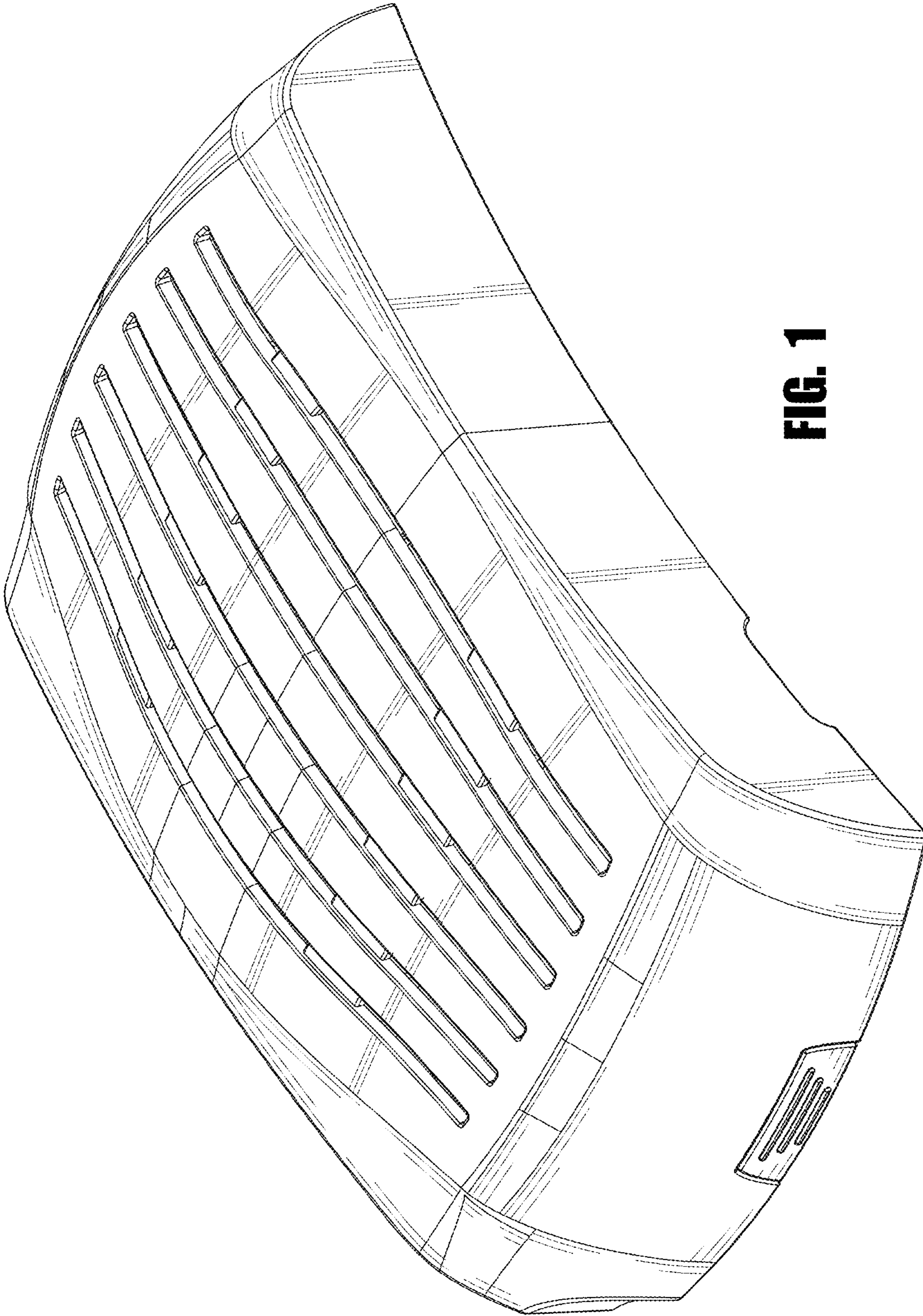


FIG. 1

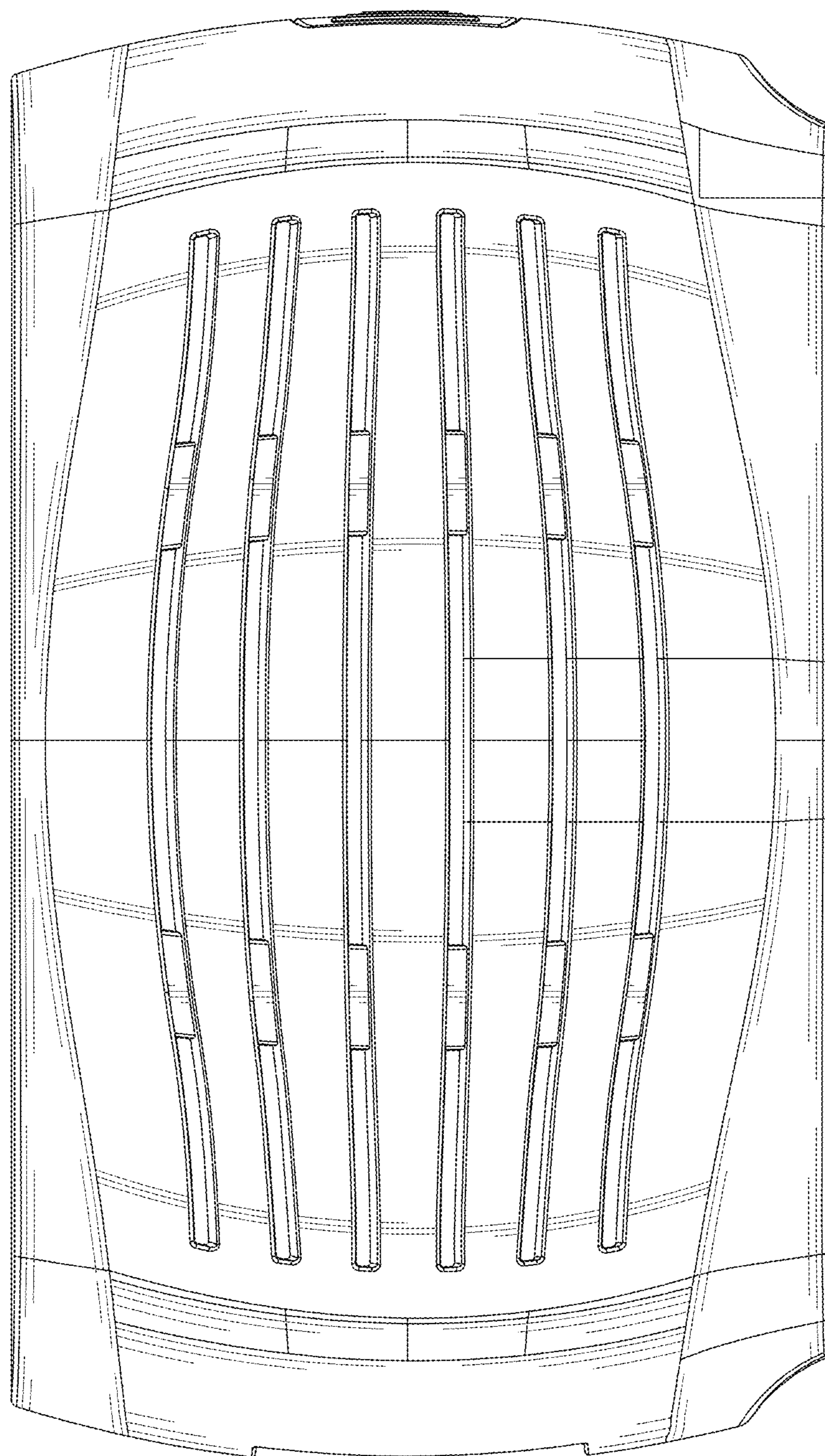


FIG. 2

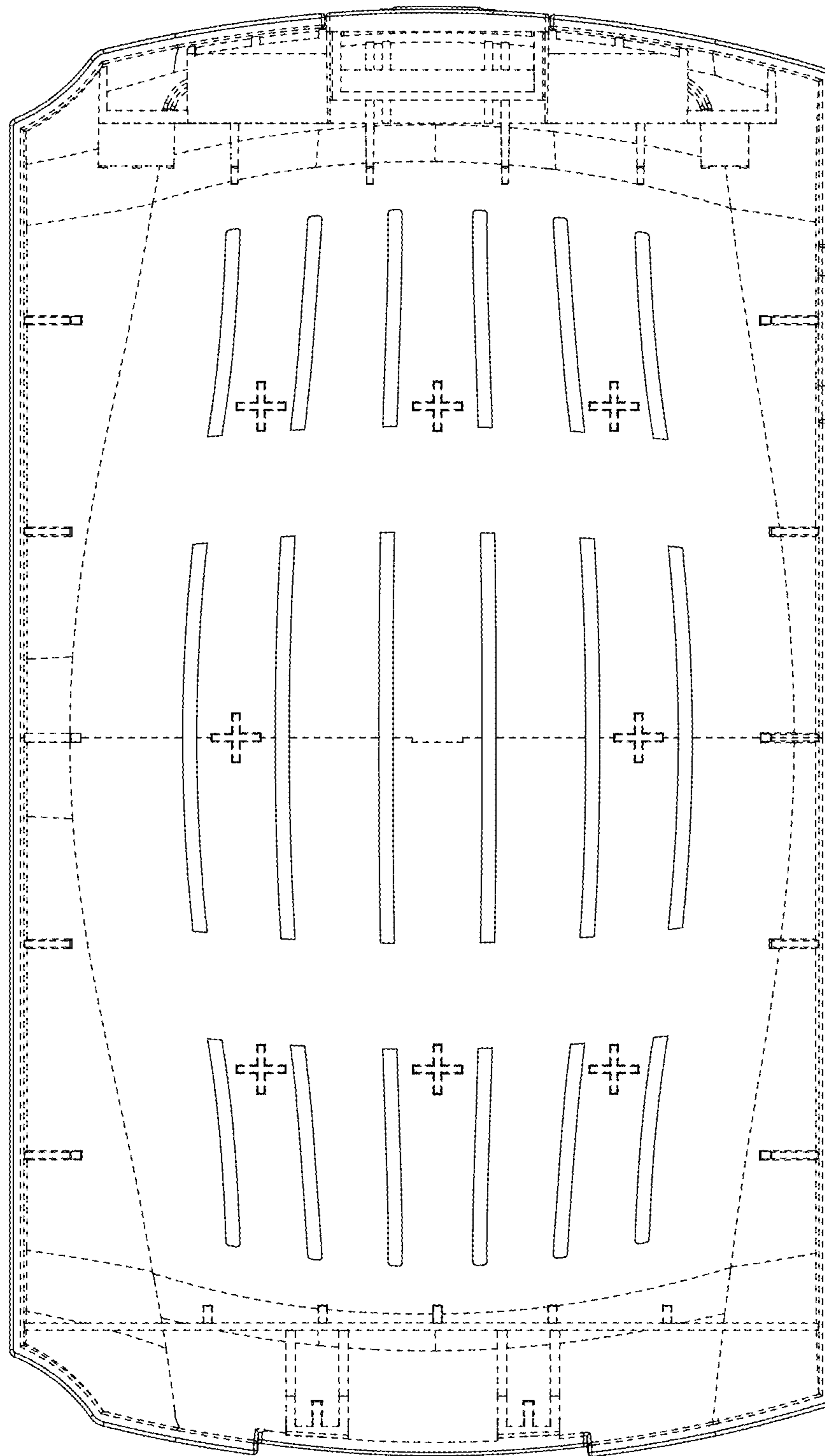


FIG. 3

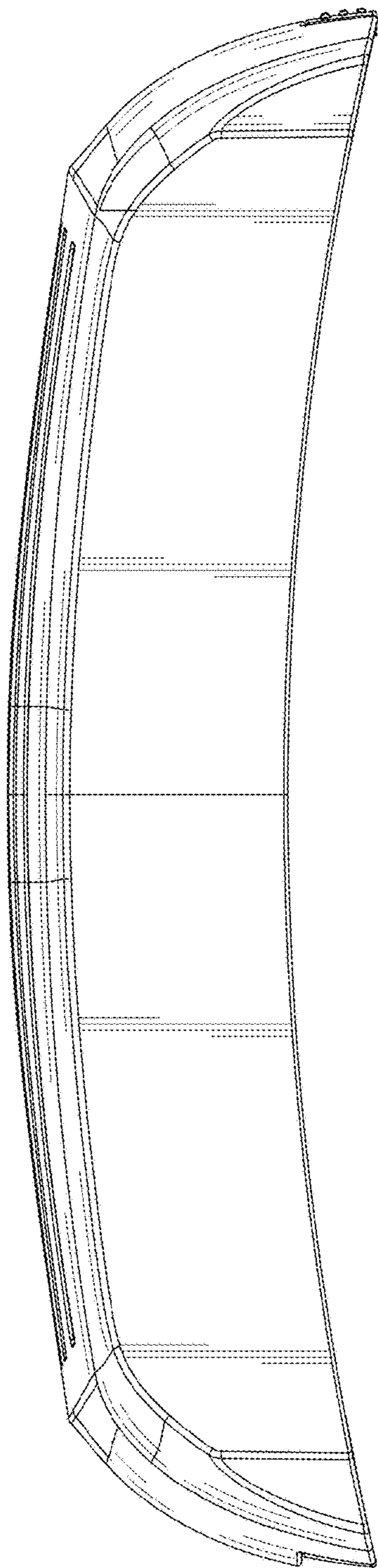


FIG. 4

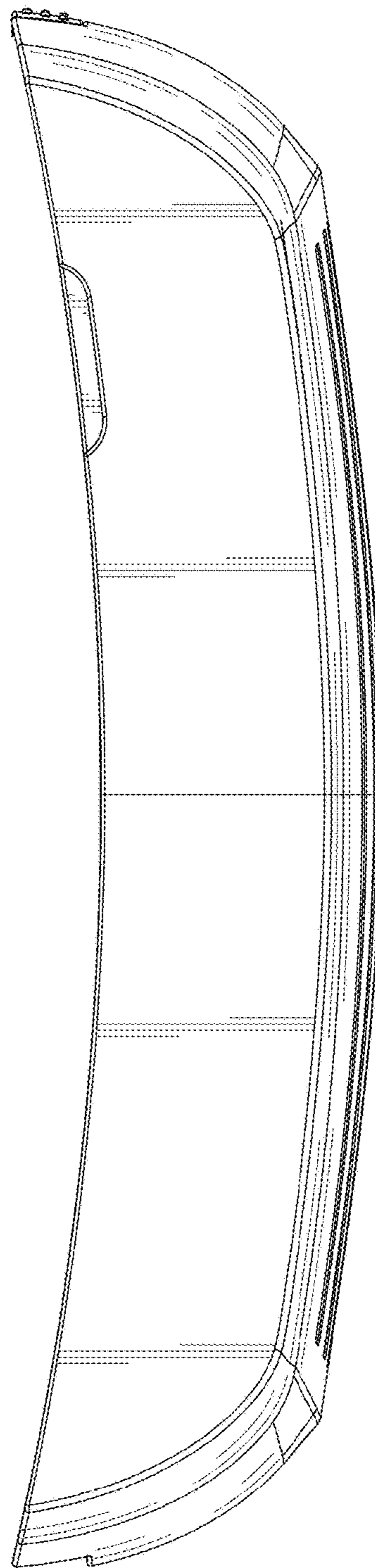


FIG. 5

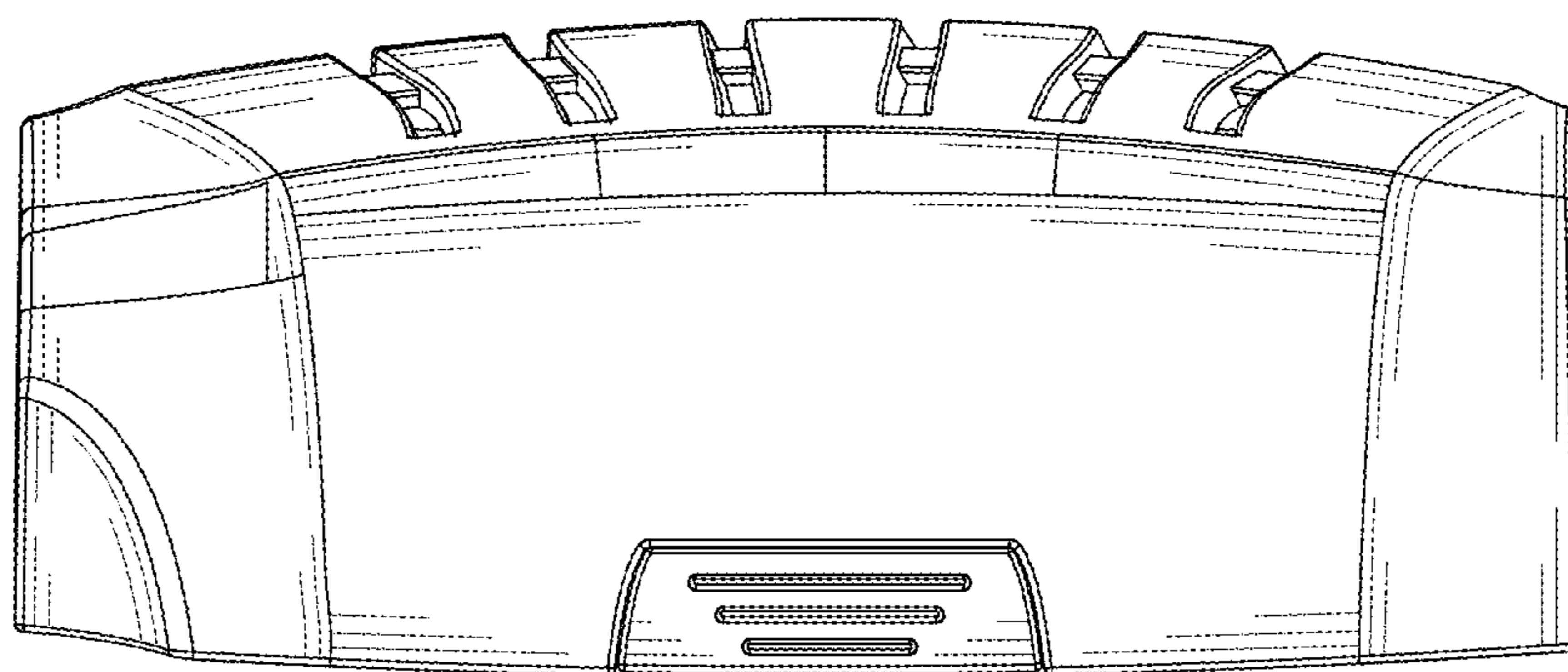


FIG. 6

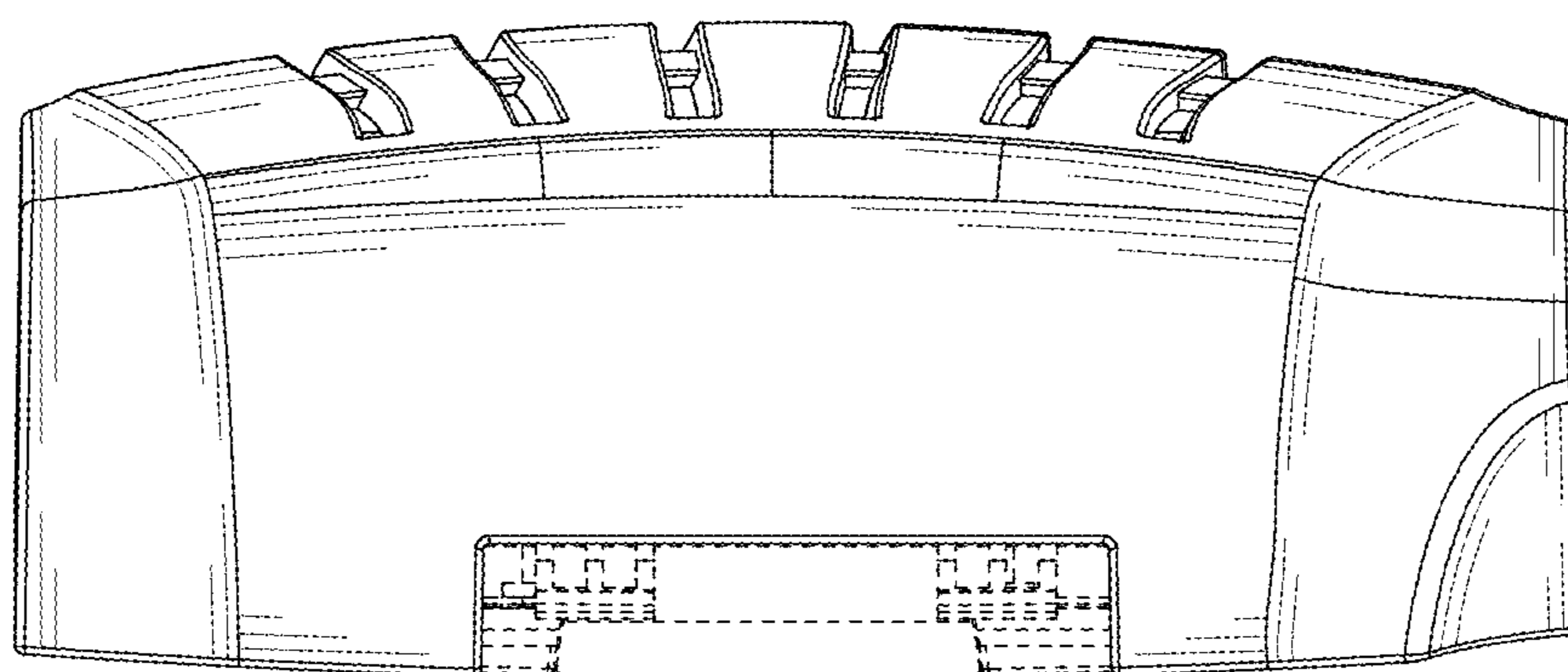


FIG. 7