



US00D820454S

(12) **United States Design Patent**
Falk et al.

(10) **Patent No.:** **US D820,454 S**
(45) **Date of Patent:** **** Jun. 12, 2018**

(54) **MONITOR FOR AN INCUBATOR**

- (71) Applicant: **General Electric Company**,
Schenectady, NY (US)
- (72) Inventors: **Steven Falk**, Baltimore, MD (US);
Thomas Underwood, Sykesville, MD (US);
Arkadiy Tsitlik, Reistertown, MD (US);
Charles Anglin, Severna Park, MD (US);
Timothy Lawlor, Philadelphia, PA (US)
- (73) Assignee: **General Electric Company**,
Schenectady, NY (US)
- (**) Term: **15 Years**
- (21) Appl. No.: **29/538,947**
- (22) Filed: **Sep. 9, 2015**
- (51) **LOC (11) Cl.** **24-01**
- (52) **U.S. Cl.**
USPC **D24/163**
- (58) **Field of Classification Search**
USPC D24/163, 164, 185, 186, 206, 107;
D30/108, 117, 199; D14/129, 371, 374,
D14/336, 448-450; D10/106.6
(Continued)

(56) **References Cited**

U.S. PATENT DOCUMENTS

- D414,870 S * 10/1999 Saltzstein D24/186
 - D540,795 S * 4/2007 Takahashi D14/317
- (Continued)

Primary Examiner — Anhdao Doan

(74) *Attorney, Agent, or Firm* — McCoy Russell LLP

(57) **CLAIM**

The ornamental design for a monitor for an incubator, as shown and described.

DESCRIPTION

FIG. 1 is a front perspective view of a design for a monitor for an incubator including an indicator light.

FIG. 2 is a front view of the monitor for an incubator of FIG. 1.

FIG. 3 is an enlarged partial front view of the monitor for an incubator of FIG. 2.

FIG. 4 is a back view of the monitor for an incubator of FIG. 1.

FIG. 5 is a top view of the monitor for an incubator of FIG. 1.

FIG. 6 is a bottom view of the monitor for an incubator of FIG. 1.

FIG. 7 is a right side view of the monitor for an incubator of FIG. 1.

FIG. 8 is a left side view of the monitor for an incubator of FIG. 1.

FIG. 9 is a first front left perspective view of the monitor for an incubator of FIG. 1 shown on an incubator with a canopy in a lowered position and a side panel in a lowered position. The incubator is shown for illustration purposes.

FIG. 10 is a second front left perspective view of the monitor for an incubator of FIG. 1 shown on an incubator with a canopy in a raised position and a side panel in a raised position. The incubator is shown for illustration purposes.

FIG. 11 is a front view of a monitor for an incubator of FIG. 1 with a canopy in a lowered position.

FIG. 12 is a back view of the monitor for an incubator of FIG. 11.

FIG. 13 is a top view of the monitor for an incubator of FIG. 11.

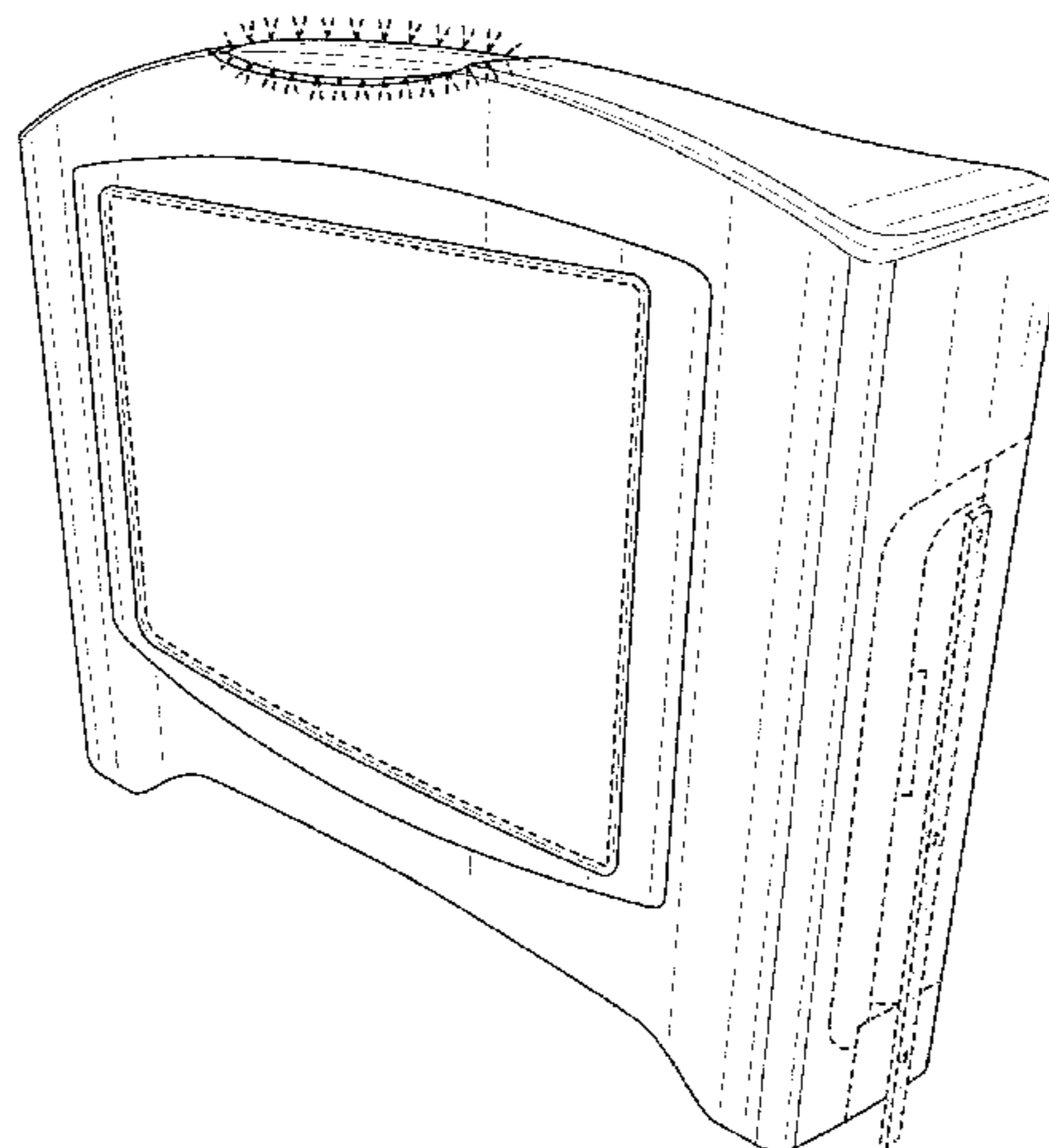
FIG. 14 is a bottom view of the monitor for an incubator of FIG. 11.

FIG. 15 is a left side view of the monitor for an incubator of FIG. 11; and,

FIG. 16 is a right side view of the monitor for an incubator of FIG. 11.

The radiating lines for the portion in the upper part of the monitor represent illuminated features. The broken lines in the drawing views are included for the purpose of illustrating portions of the monitor that form no part of the claimed design. For purposes of clarity, FIGS. 9-16 show the monitor attached to an incubator. The incubator is shown for illustrative purposes and forms no part of the claimed design.

1 Claim, 16 Drawing Sheets



(58) **Field of Classification Search**

CPC A61G 11/00; A61G 11/002; A61G 11/005;
A61G 11/009; A01K 41/00; A01K 41/02;
A01K 41/04

See application file for complete search history.

(56) **References Cited**

U.S. PATENT DOCUMENTS

D607,564 S *	1/2010	Crnkovich	D24/169
D608,004 S *	1/2010	Crnkovich	D24/169
D685,914 S *	7/2013	Corrigan	D24/186
D759,254 S *	6/2016	Knieriem	D24/186
D759,820 S *	6/2016	Blomquist	D24/164
D766,120 S *	9/2016	O'Mahony	D10/114.1

* cited by examiner

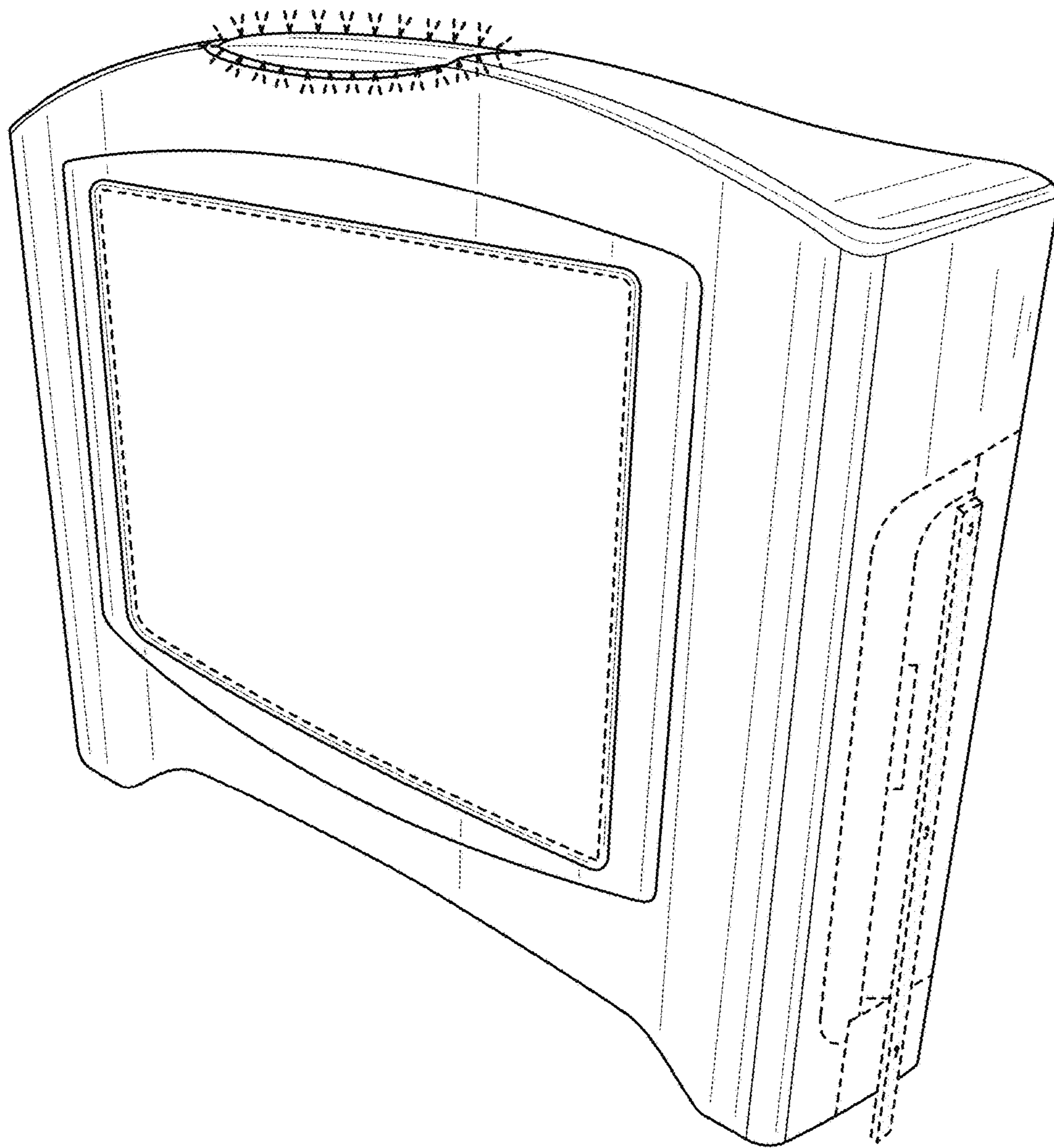


FIG. 1

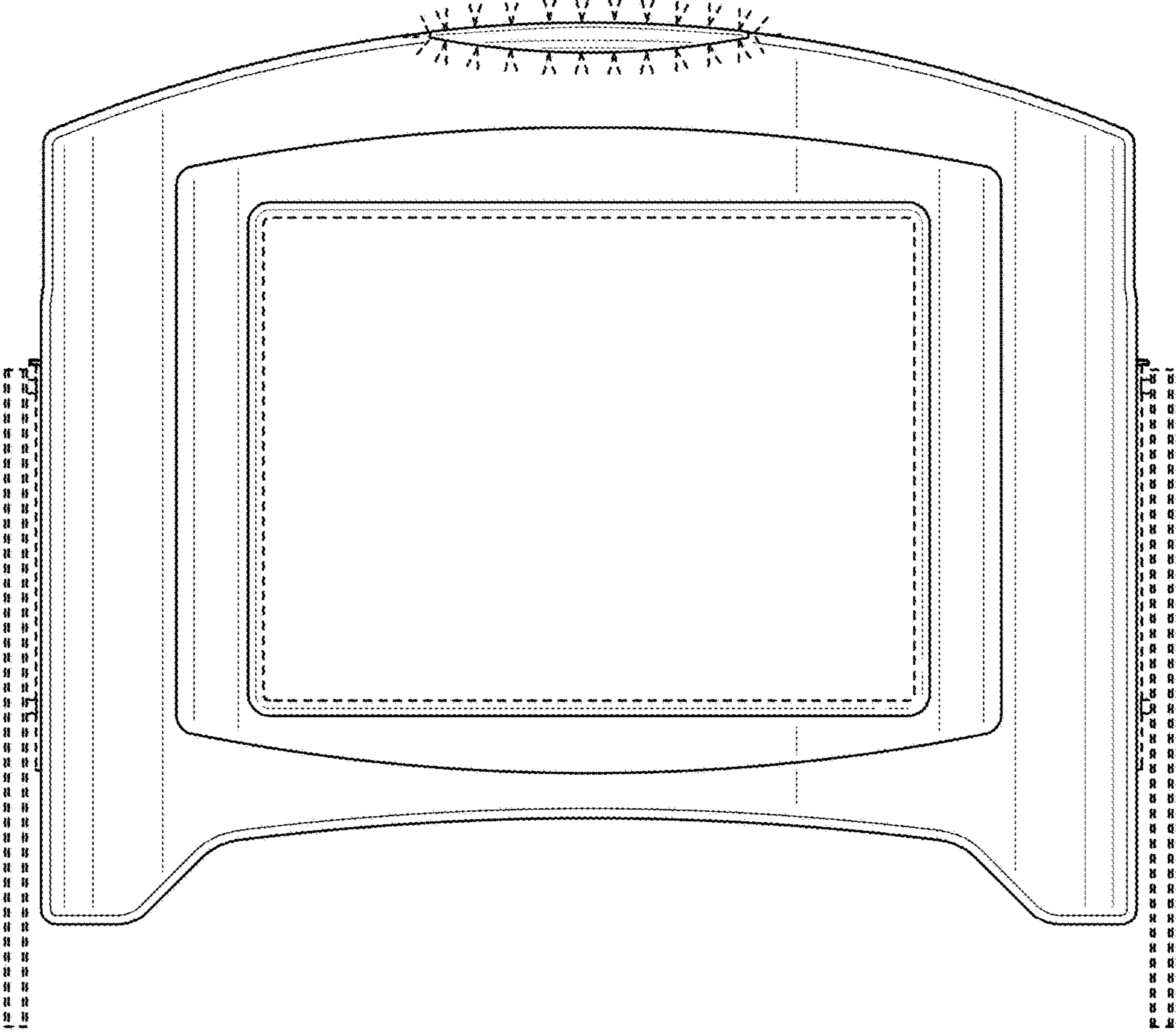


FIG. 2

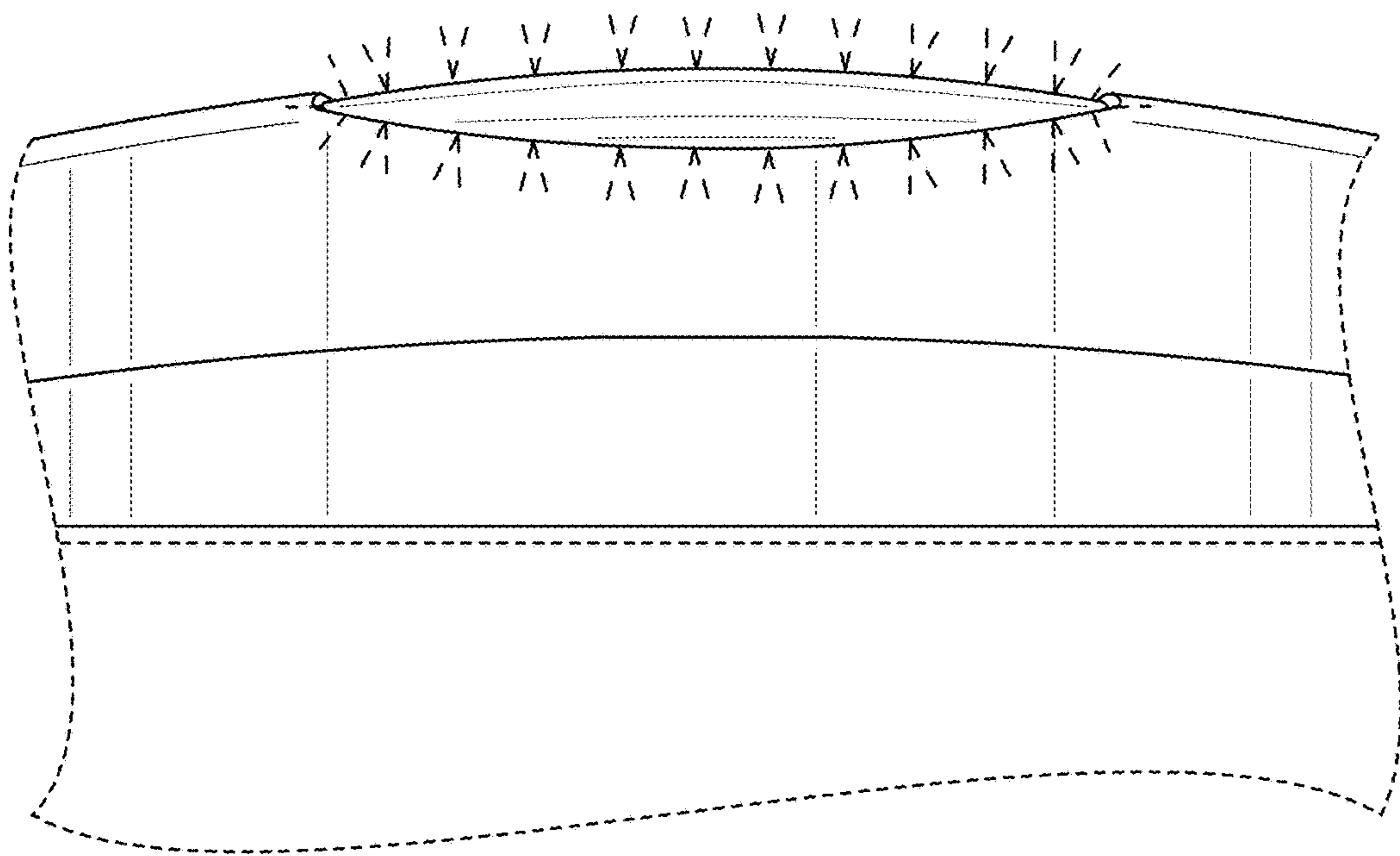
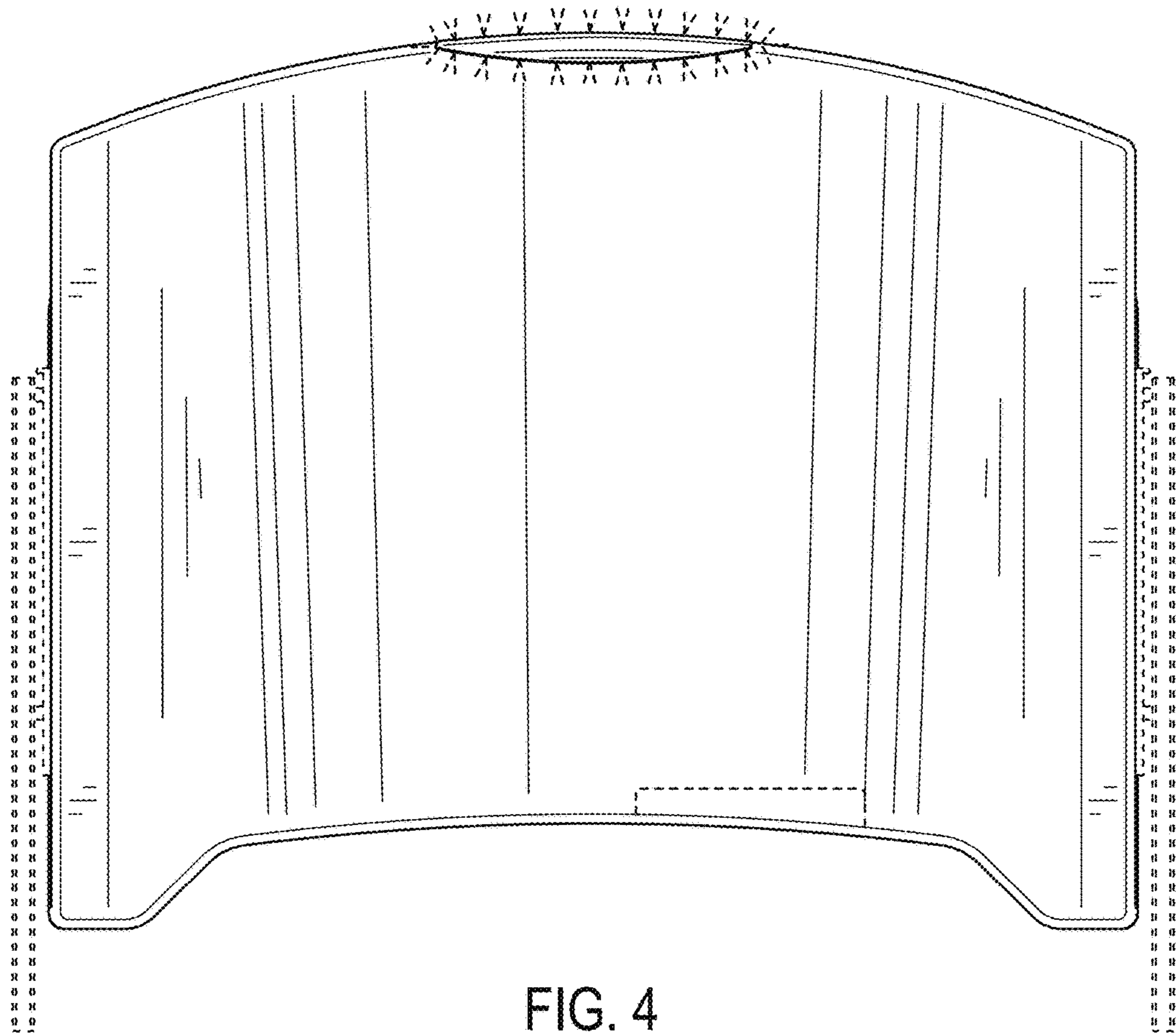


FIG. 3



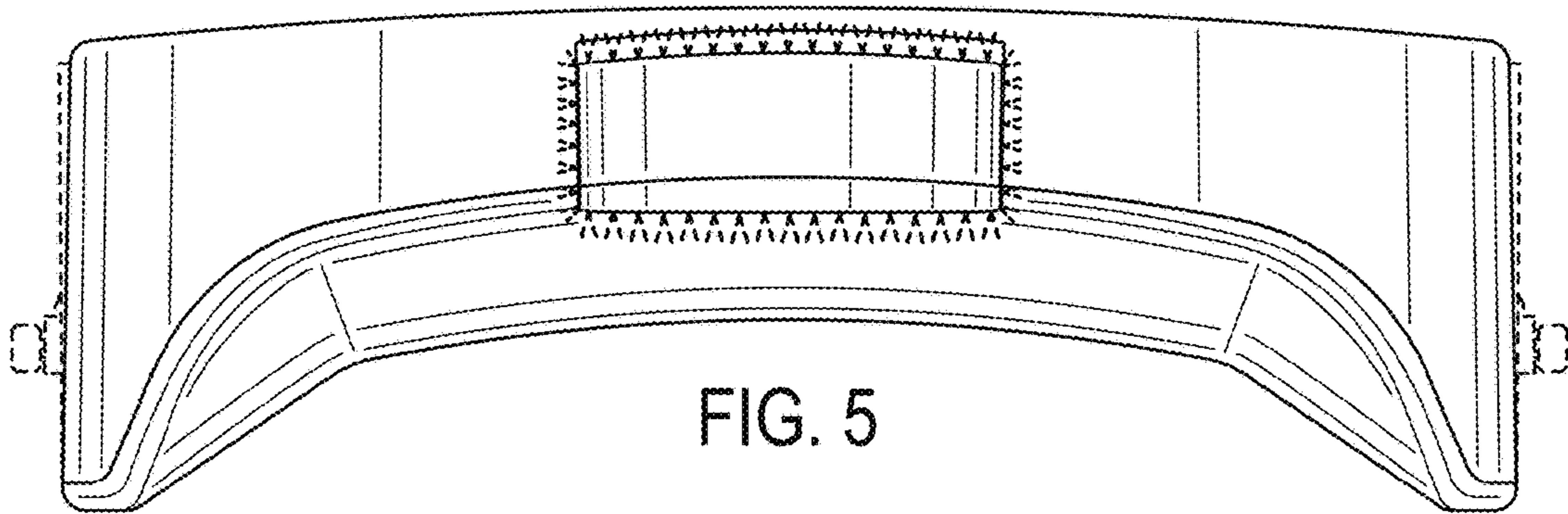


FIG. 5

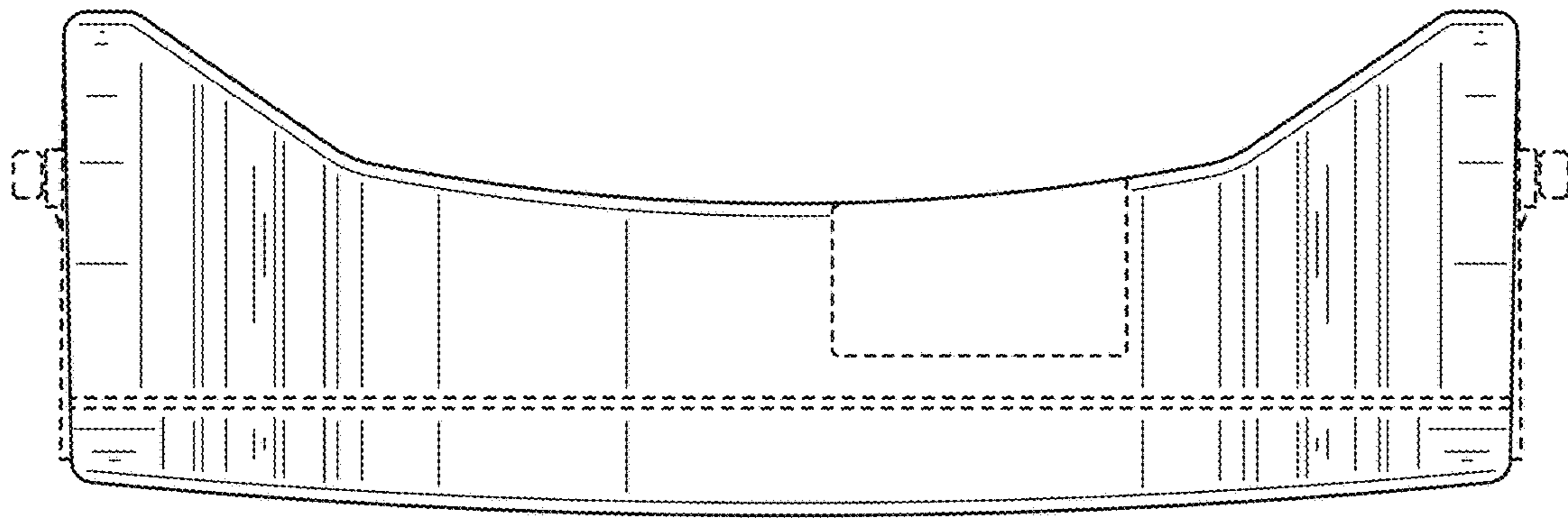


FIG. 6

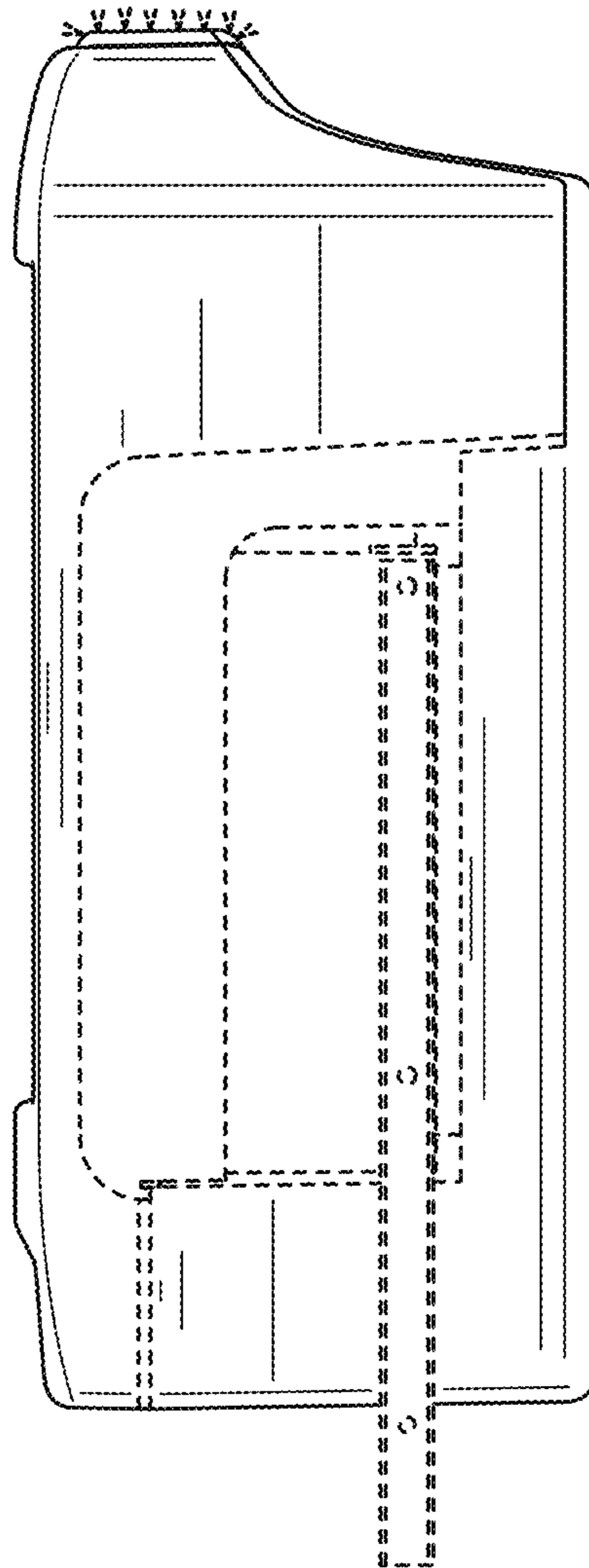


FIG. 7

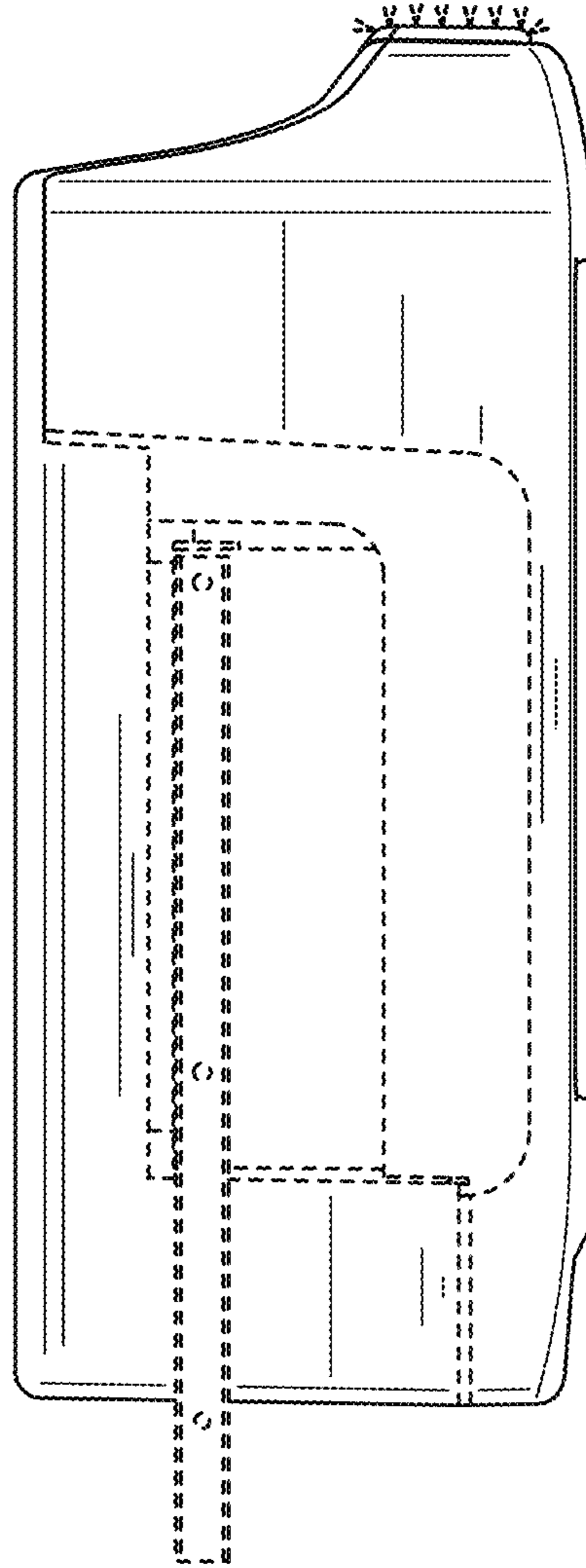


FIG. 8

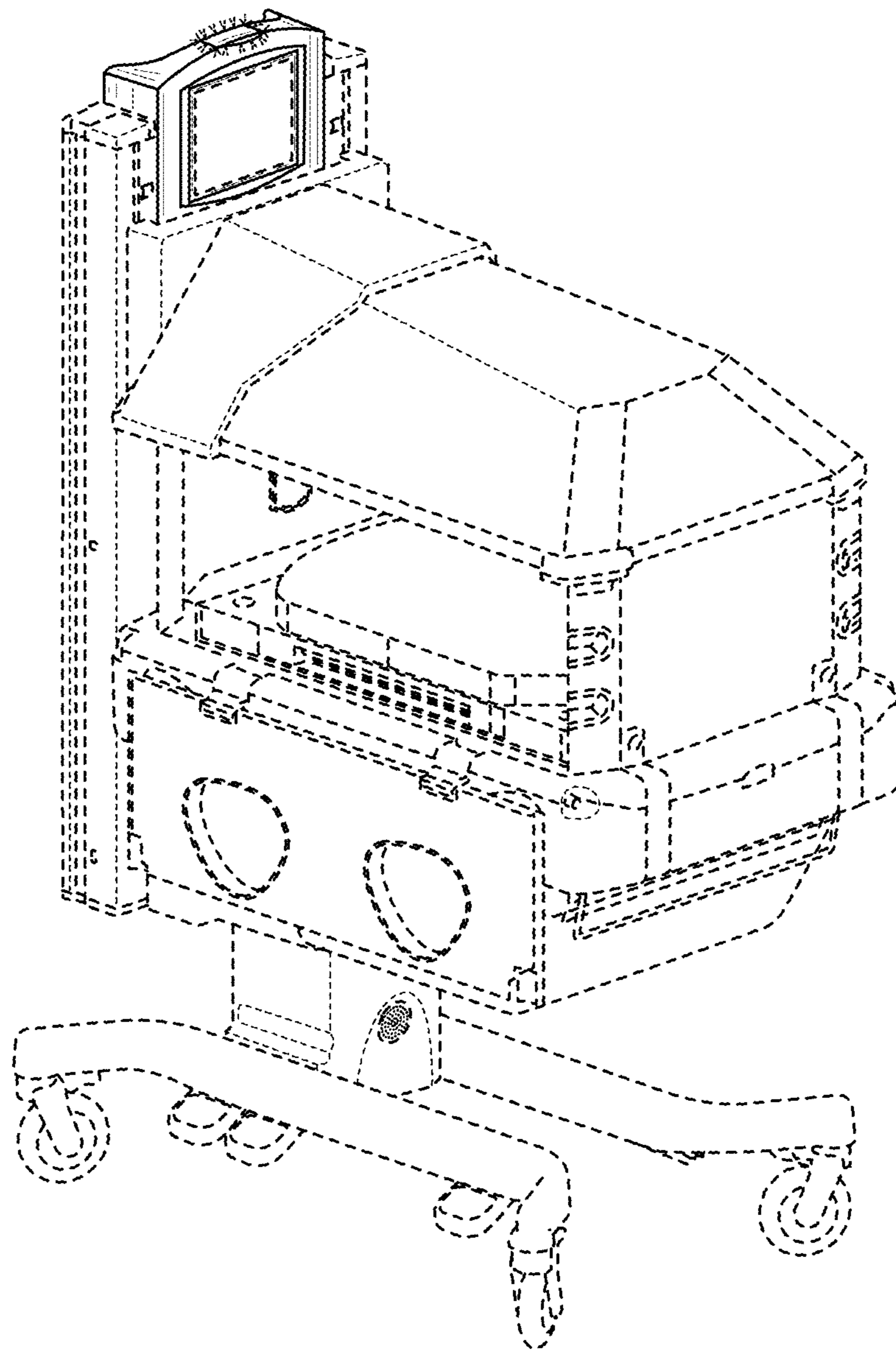


FIG. 9

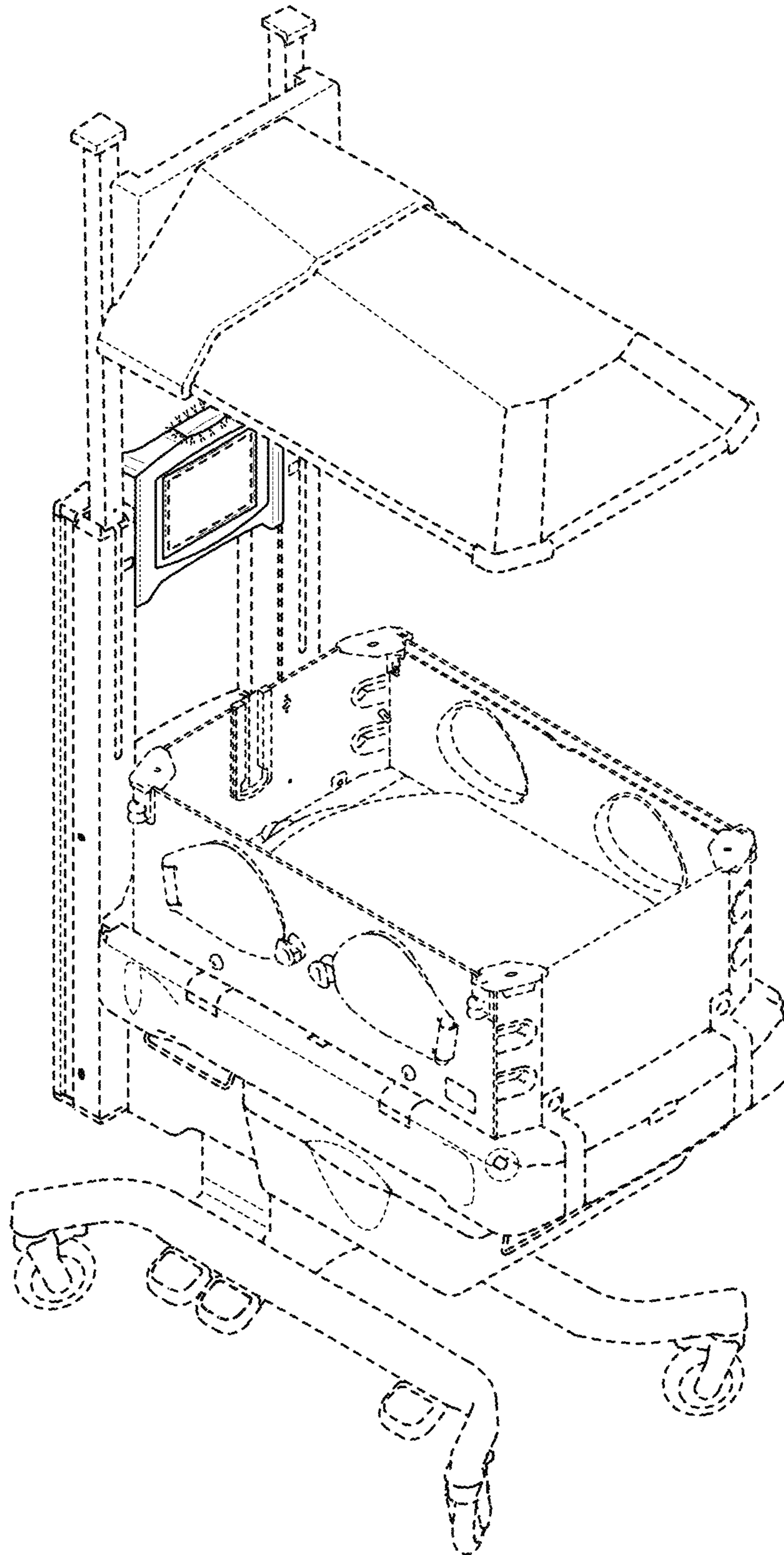


FIG. 10

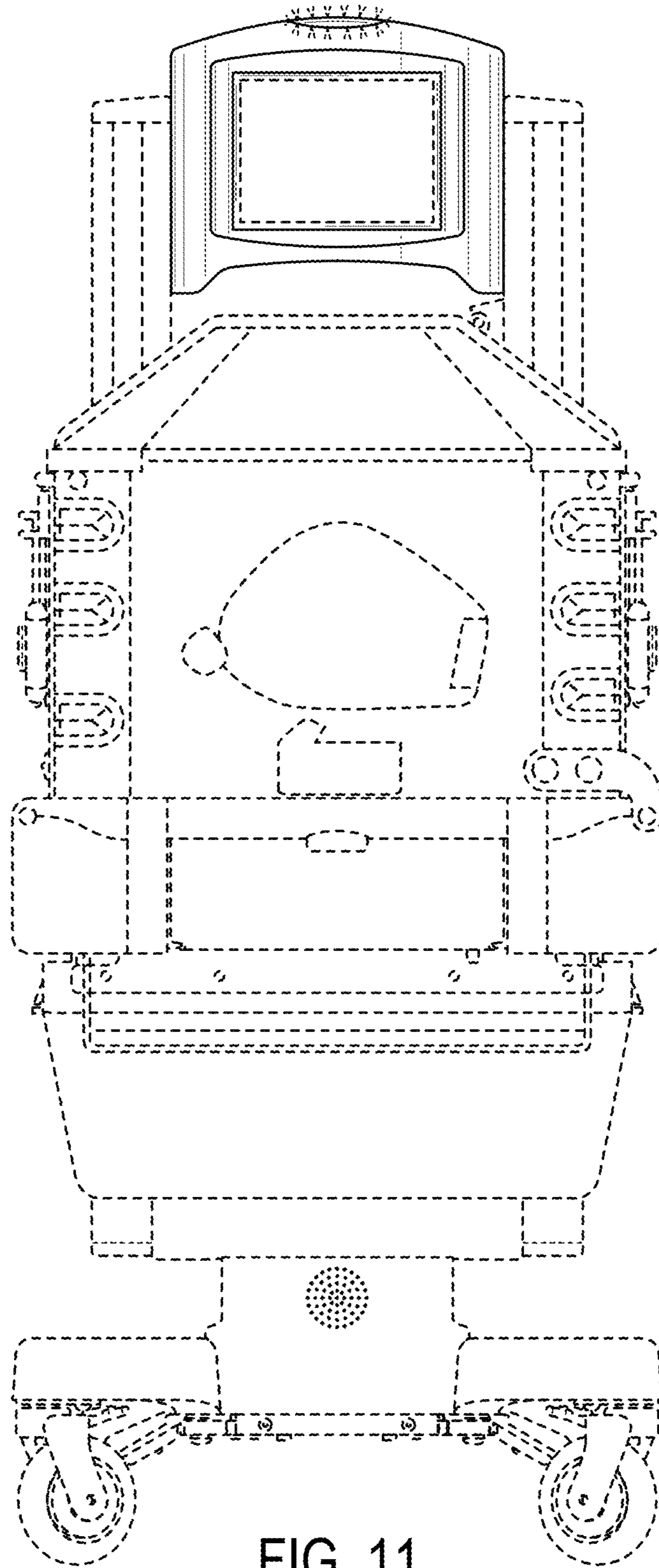
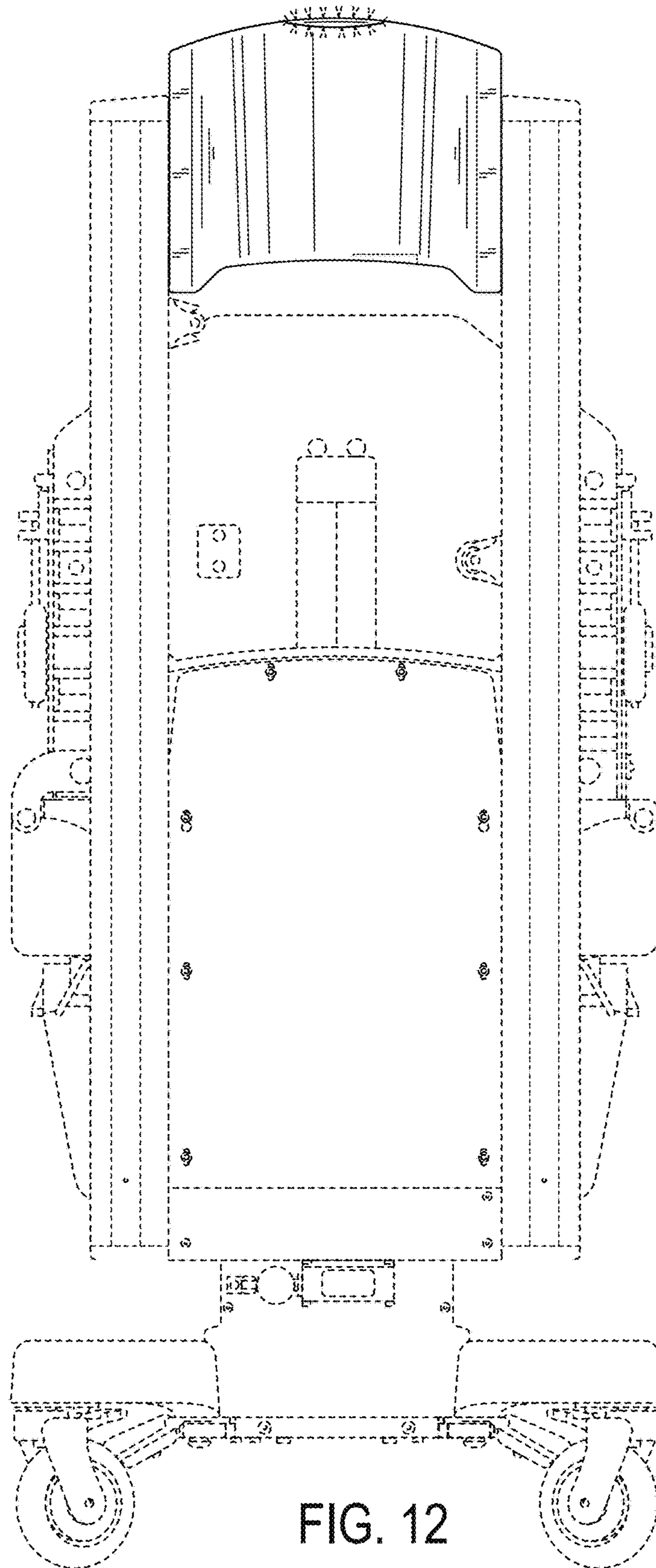


FIG. 11



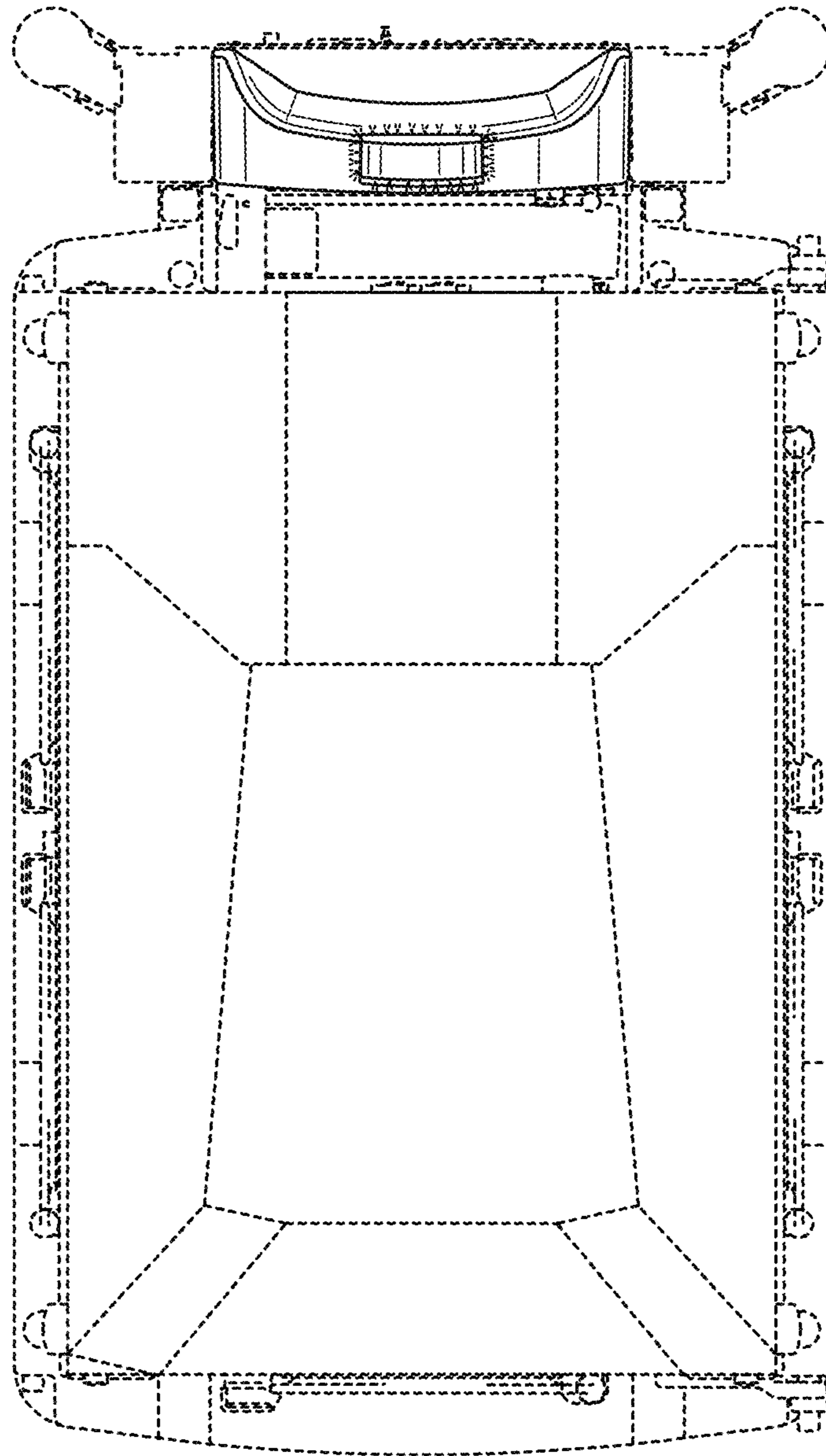


FIG. 13

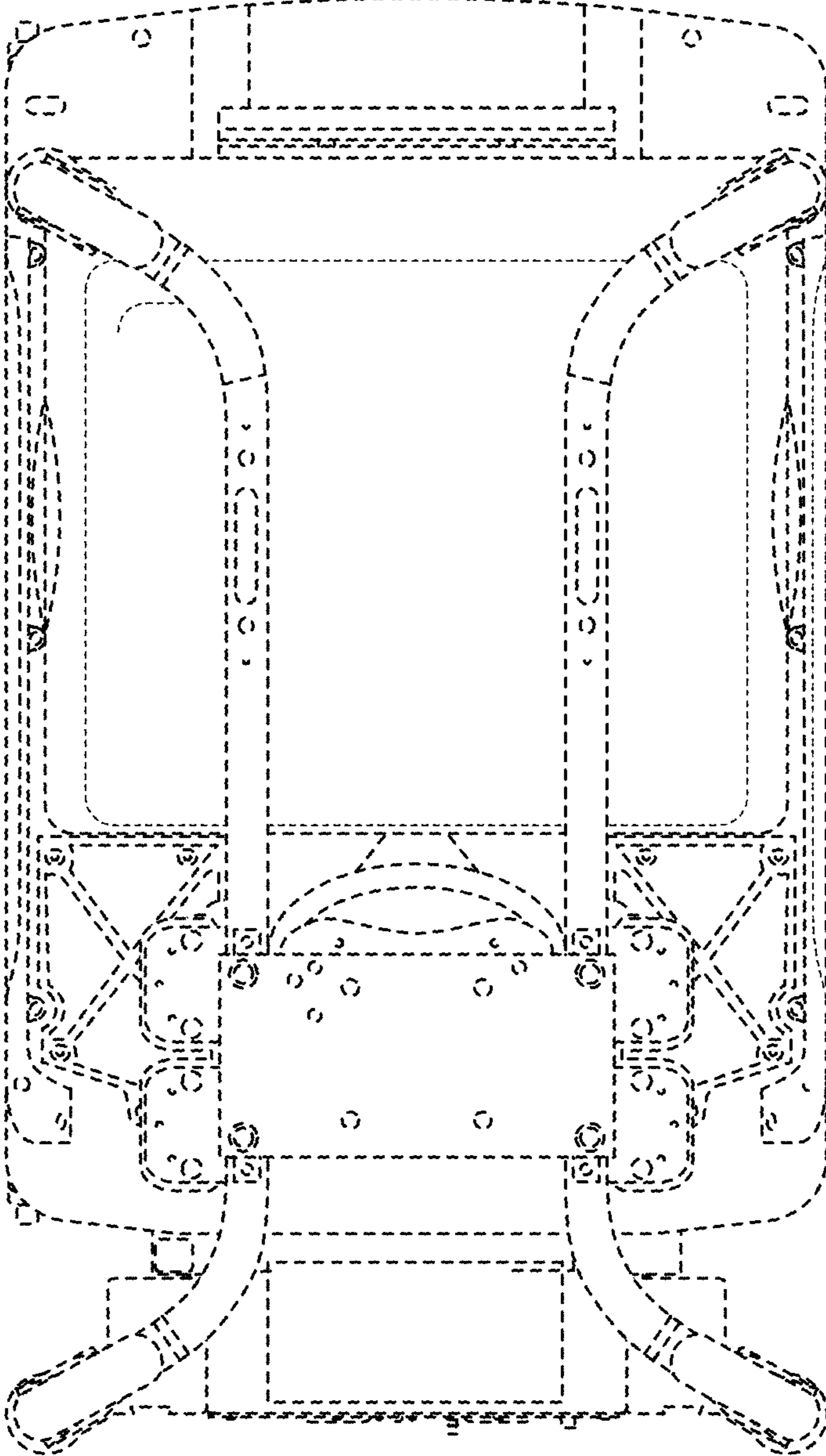


FIG. 14

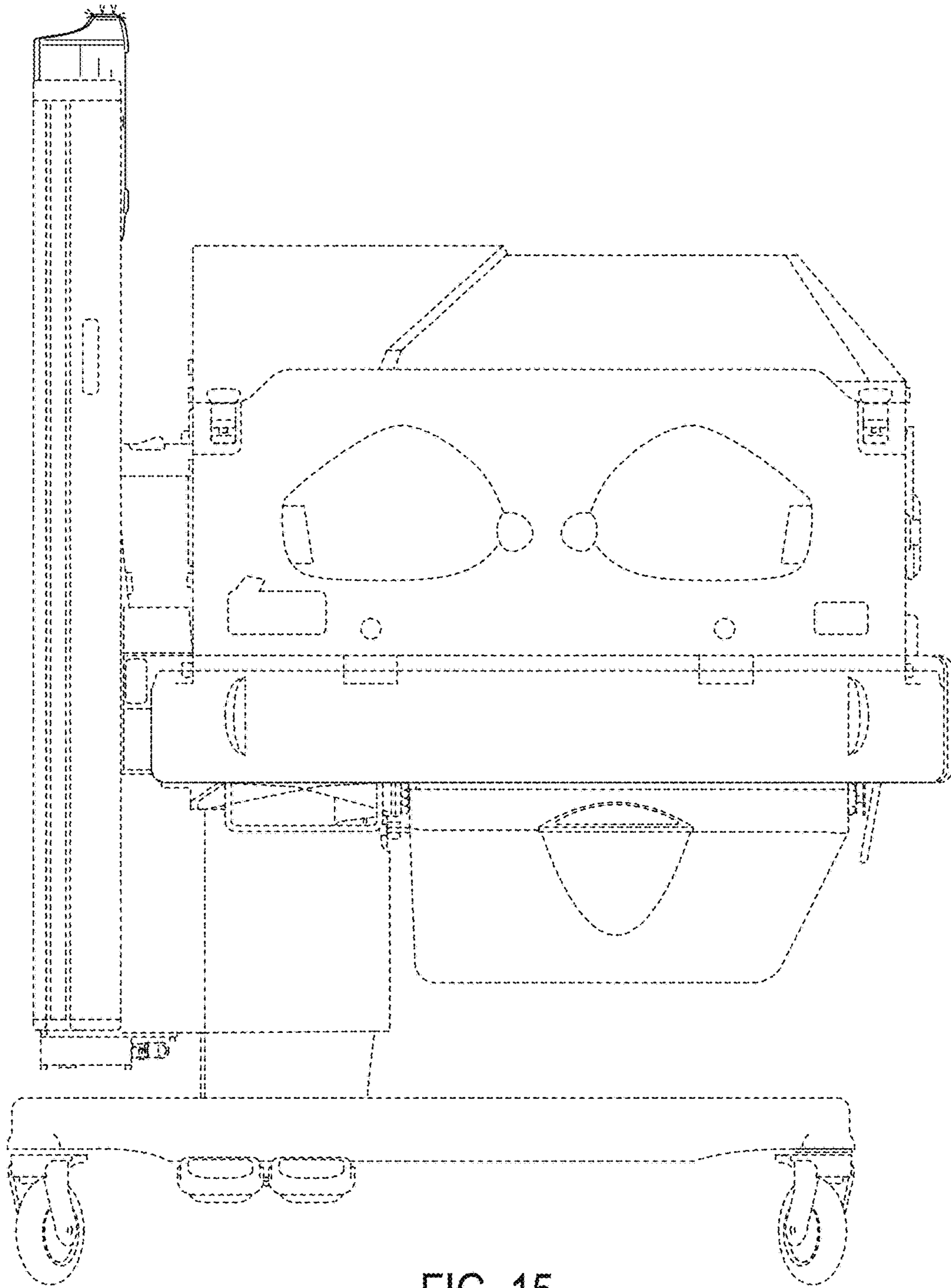


FIG. 15

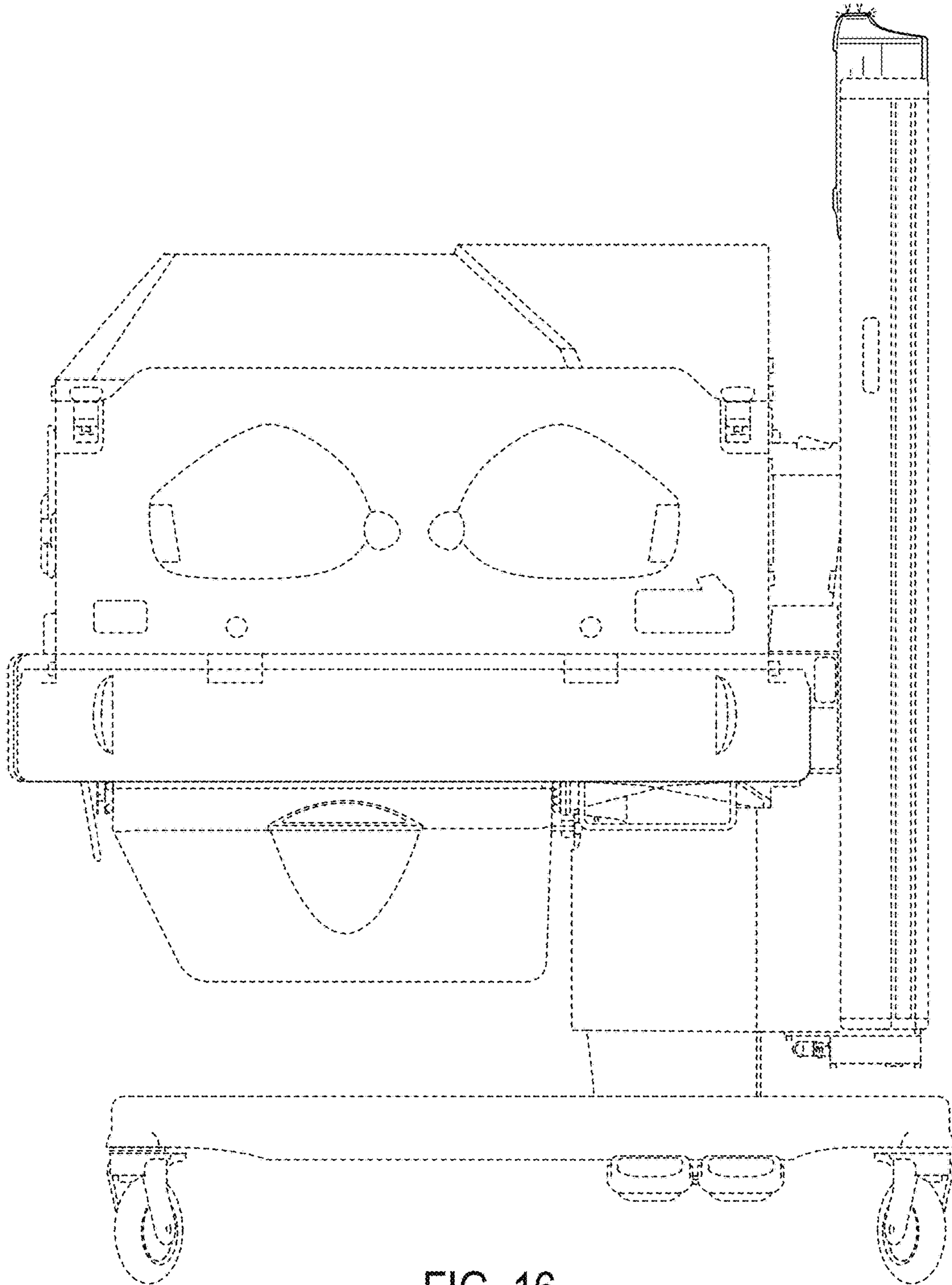


FIG. 16