



US00D820453S

(12) **United States Design Patent** (10) **Patent No.:** **US D820,453 S**
Personnelli (45) **Date of Patent:** **** Jun. 12, 2018**

- (54) **TABLE FOR A MAGNETIC RESONANCE IMAGING DEVICE**
- (71) Applicant: **General Electric Company**, Schenectady, NY (US)
- (72) Inventor: **Regis Gerard Personnelli**, Buc (FR)
- (73) Assignee: **General Electric Company**, Schenectady, NY (US)
- (**) Term: **15 Years**
- (21) Appl. No.: **29/585,478**
- (22) Filed: **Nov. 23, 2016**
- (51) **LOC (11) Cl.** **24-01**
- (52) **U.S. Cl.**
USPC **D24/159**
- (58) **Field of Classification Search**
USPC D24/158-161, 185, 186, 107, 183, 184, D24/177, 234

(Continued)

(56) **References Cited**

U.S. PATENT DOCUMENTS

- D441,868 S * 5/2001 Rodenas Santiago D24/183
- D623,299 S * 9/2010 Dietz D24/158

(Continued)

Primary Examiner — Anhdao Doan

(74) *Attorney, Agent, or Firm* — McCoy Russell LLP

(57) **CLAIM**

The ornamental design for a table for a magnetic resonance imaging device, as shown and described.

DESCRIPTION

FIG. 1 is a right side view of a design for a table for a magnetic resonance imaging device according to the present invention.

FIG. 2 is a left side view of the table for a magnetic resonance imaging device of FIG. 1.

FIG. 3 is a front view of the table for a magnetic resonance imaging device of FIG. 1.

FIG. 4 is a back view of the table for a magnetic resonance imaging device of FIG. 1.

FIG. 5 is a top view of the table for a magnetic resonance imaging device of FIG. 1.

FIG. 6 is a bottom view of the table for a magnetic resonance imaging device of FIG. 1.

FIG. 7 is a right perspective view of the table for a magnetic resonance imaging device of FIG. 1.

FIG. 8 is a front perspective view of the table for a magnetic resonance imaging device of FIG. 1 shown attached to a magnetic resonance imaging device.

FIG. 9 is a left side view of the table for a magnetic resonance imaging device of FIG. 1 in a lowered position where the right side view is a substantial mirror image.

FIG. 10 is a right side view of the table for a magnetic resonance imaging device of FIG. 1 with the side panels extended to a 90-degree angle. The left side view is a substantial mirror image.

FIG. 11 is a top view of the table for a magnetic resonance imaging device of FIG. 10.

FIG. 12 is a front view of the table for a magnetic resonance imaging device of FIG. 10.

FIG. 13 is a back view of the table for a magnetic resonance imaging device of FIG. 10.

FIG. 14 is right side view of the table for a magnetic resonance imaging device of FIG. 1, with the side panels extended to a 180-degree angle. The left side view is a substantial mirror image.

FIG. 15 is a top view of the table for a magnetic resonance imaging device of FIG. 14.

FIG. 16 is a front view of the table for a magnetic resonance imaging device of FIG. 14.

FIG. 17 is a back view of the table for a magnetic resonance imaging device of FIG. 14.

FIG. 18 is a left side view of the table for a magnetic resonance imaging device of FIG. 1 with the front bar in an extended position.

FIG. 19 is a right side view of the table for a magnetic resonance imaging device of FIG. 18.

(Continued)

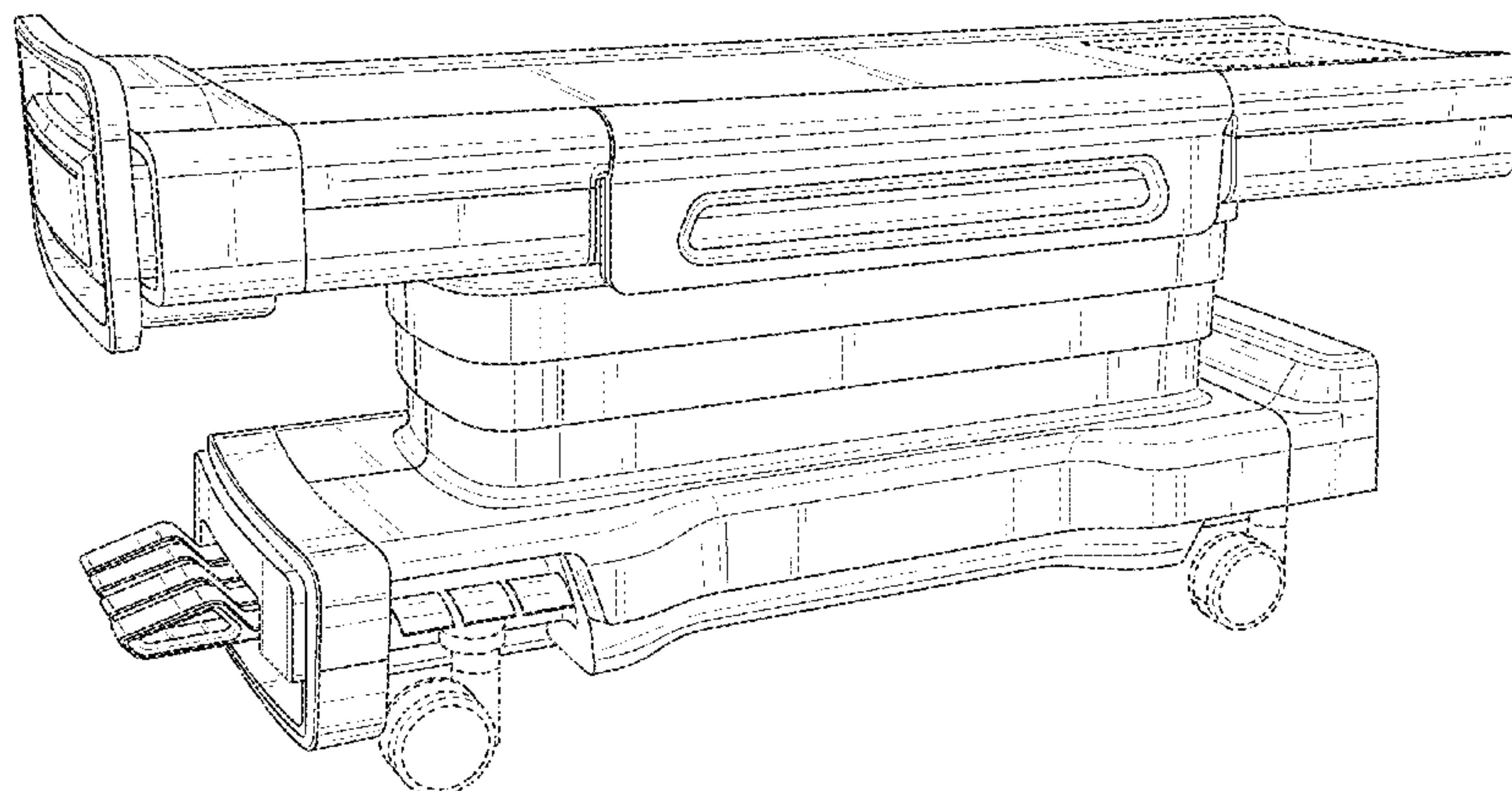


FIG. 20 is a top view of the table for a magnetic resonance imaging device of FIG. 18.

FIG. 21 is a front view of the table for a magnetic resonance imaging device of FIG. 18; and,

FIG. 22 is a rear view of the table for a magnetic resonance imaging device of FIG. 18.

The broken lines in FIGS. 1-22 are included for the purpose of illustrating portions of the table for a MRI device that form no part of the claimed design. The MRI device shown in FIG. 8 represents environment and is included for purposes of illustration. The broken lines form no part of the claimed design.

1 Claim, 22 Drawing Sheets

(58) **Field of Classification Search**

CPC ... A61B 6/0407; A61B 6/0428; A61B 6/0421;
A61B 6/0442; A61B 50/10; A61B

50/105; A61G 2210/50; A61N 5/1049;

A61N 2005/1097

See application file for complete search history.

(56)

References Cited

U.S. PATENT DOCUMENTS

| | | | | | | |
|--------------|----|---|---------|------------|-------|-----------------------|
| D681,208 | S | * | 4/2013 | Ninomiya | | D24/159 |
| D724,217 | S | * | 3/2015 | Wodecki | | D24/159 |
| D726,319 | S | * | 4/2015 | Sul | | D24/159 |
| D727,509 | S | * | 4/2015 | Tan | | D24/159 |
| D743,555 | S | * | 11/2015 | Hasebe | | D24/159 |
| D752,757 | S | * | 3/2016 | Li | | D24/159 |
| D770,049 | S | * | 10/2016 | Yanagihara | | D24/159 |
| 2013/0081204 | A1 | * | 4/2013 | Ramos | | A61B 6/0457 5/601 |
| 2013/0324835 | A1 | * | 12/2013 | Menon | | A61B 5/055 600/411 |

* cited by examiner

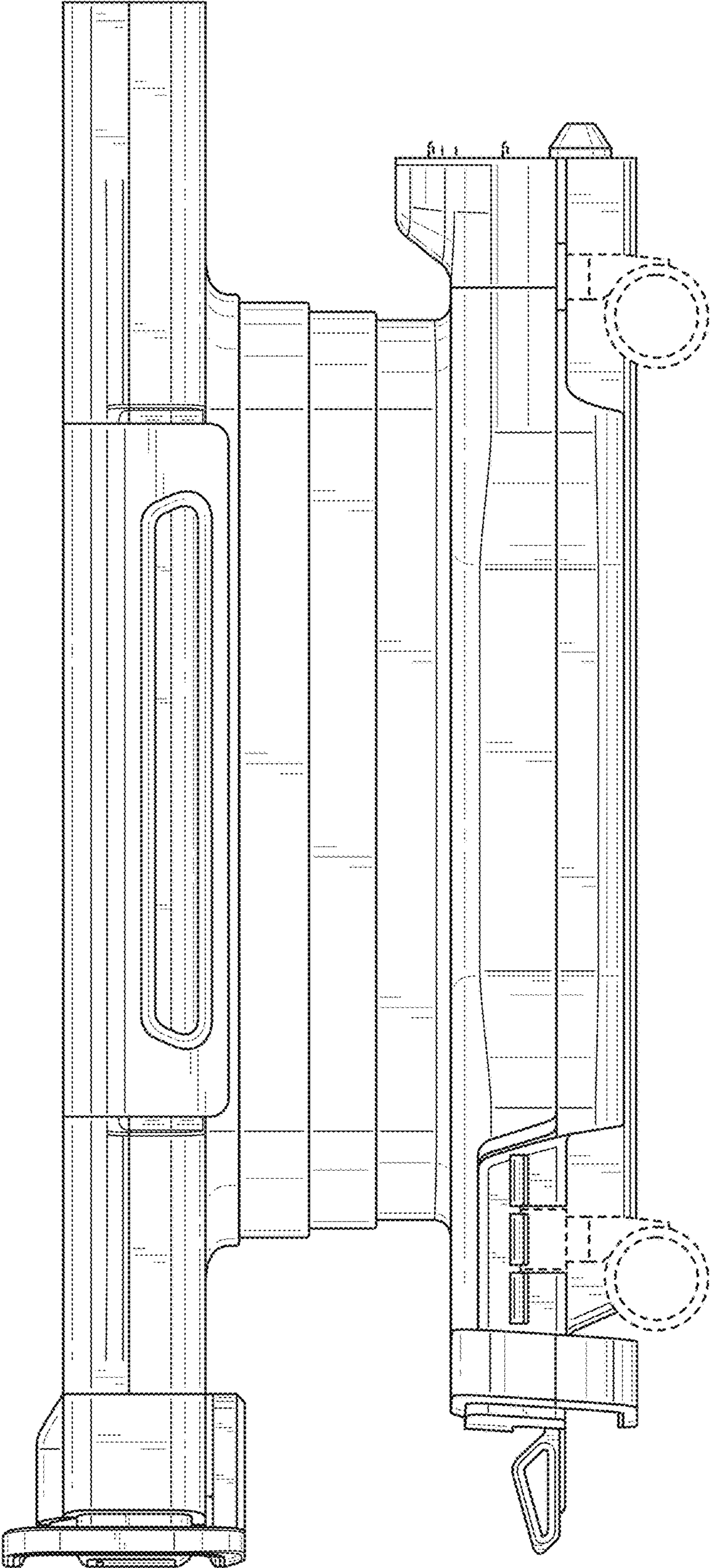


FIG. 1

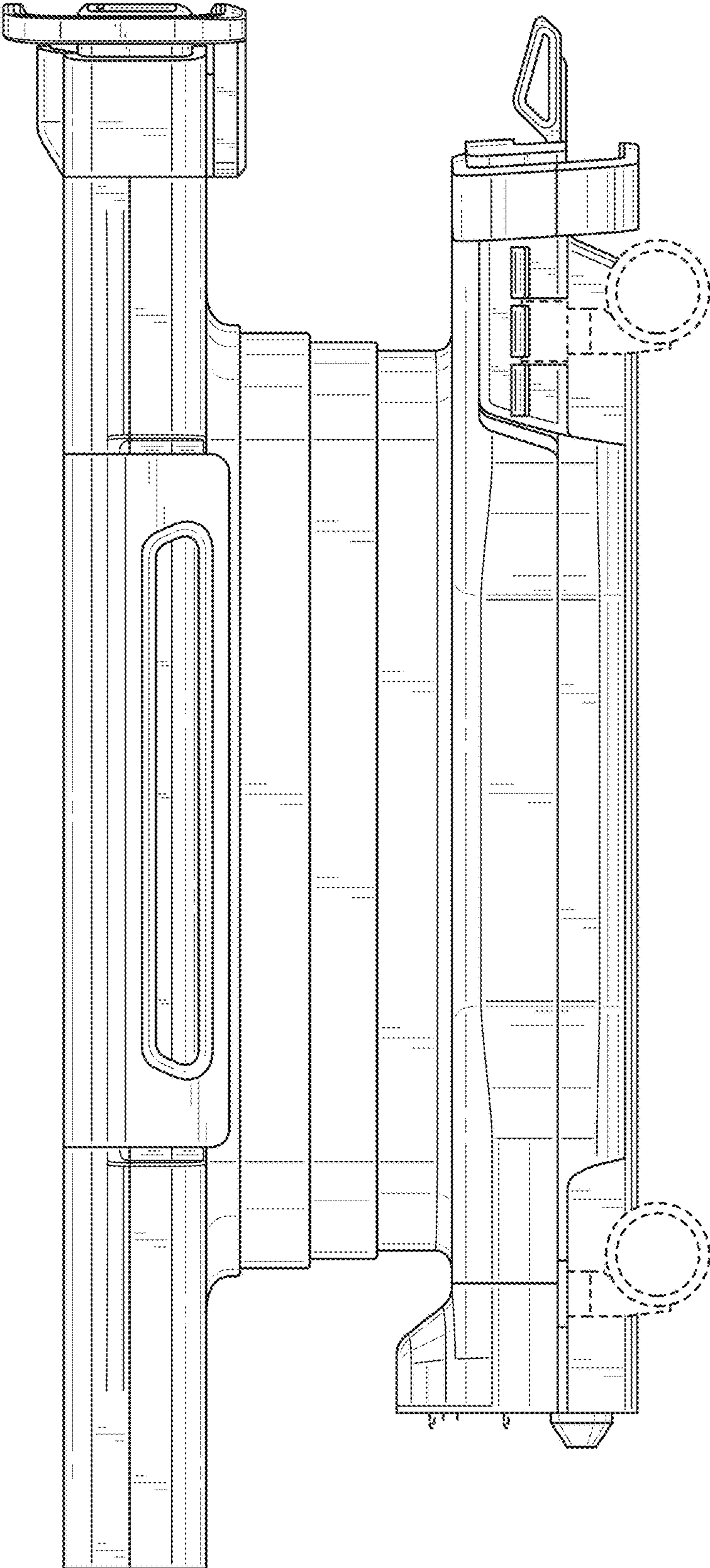


FIG. 2

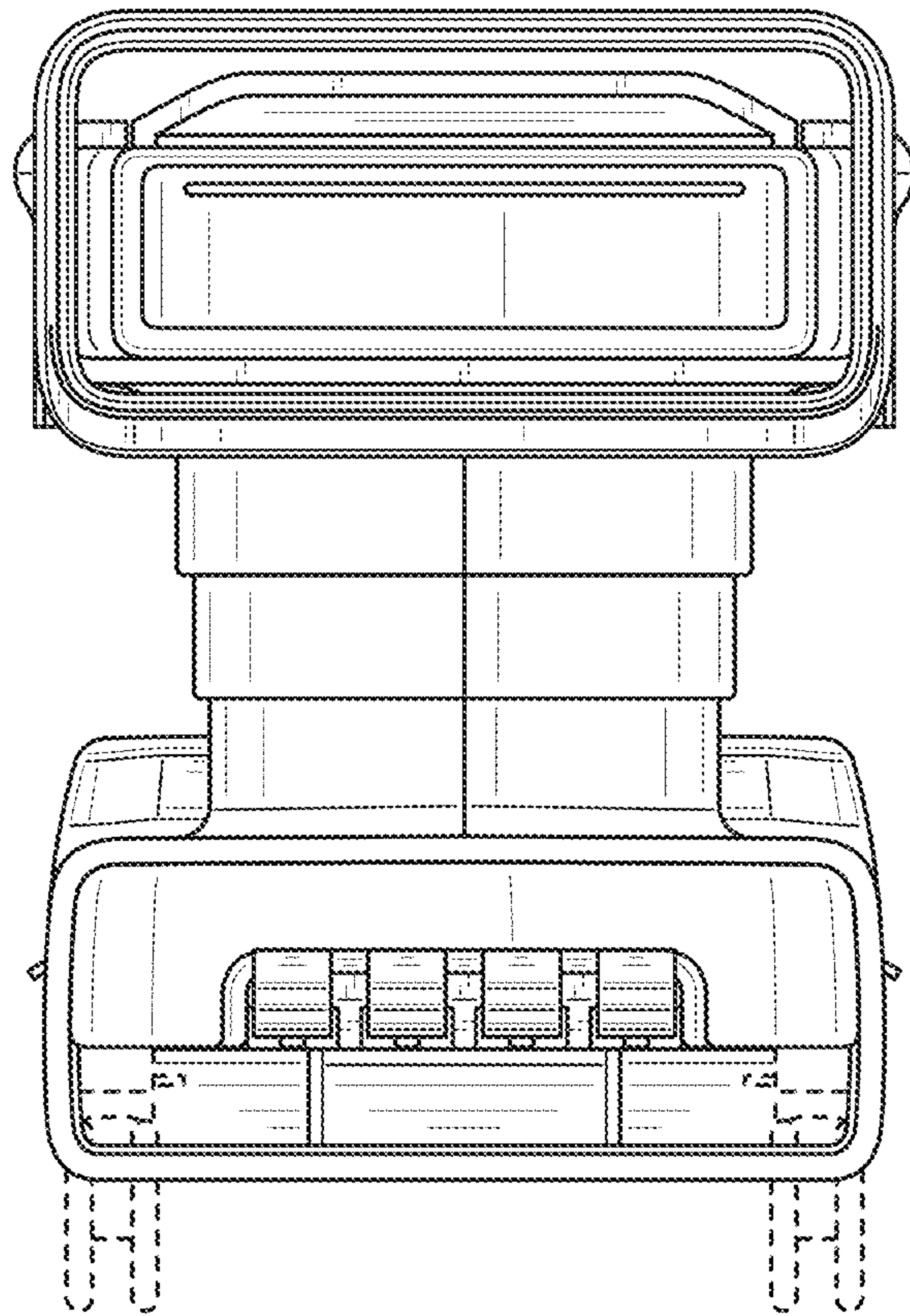


FIG. 3

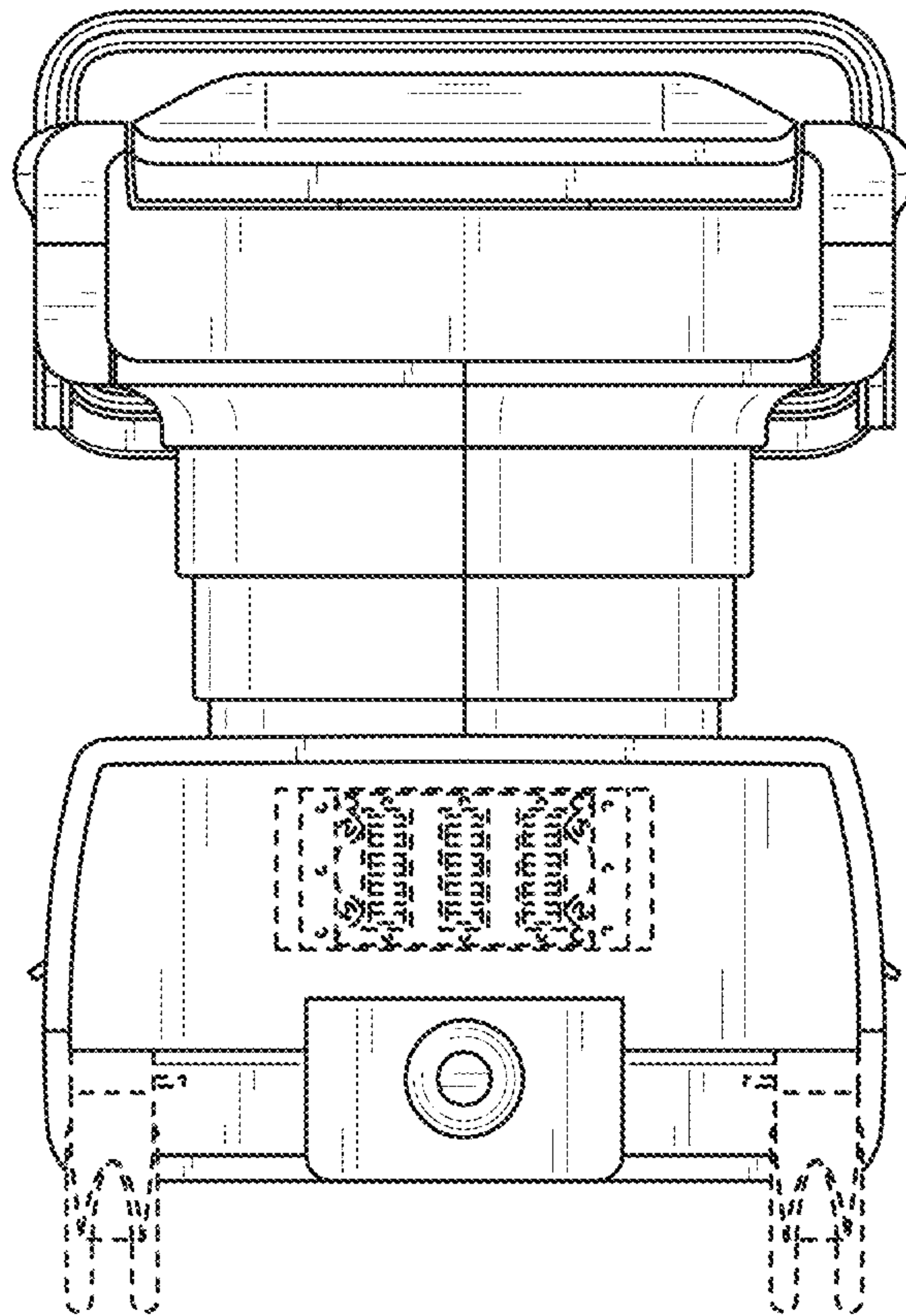


FIG. 4

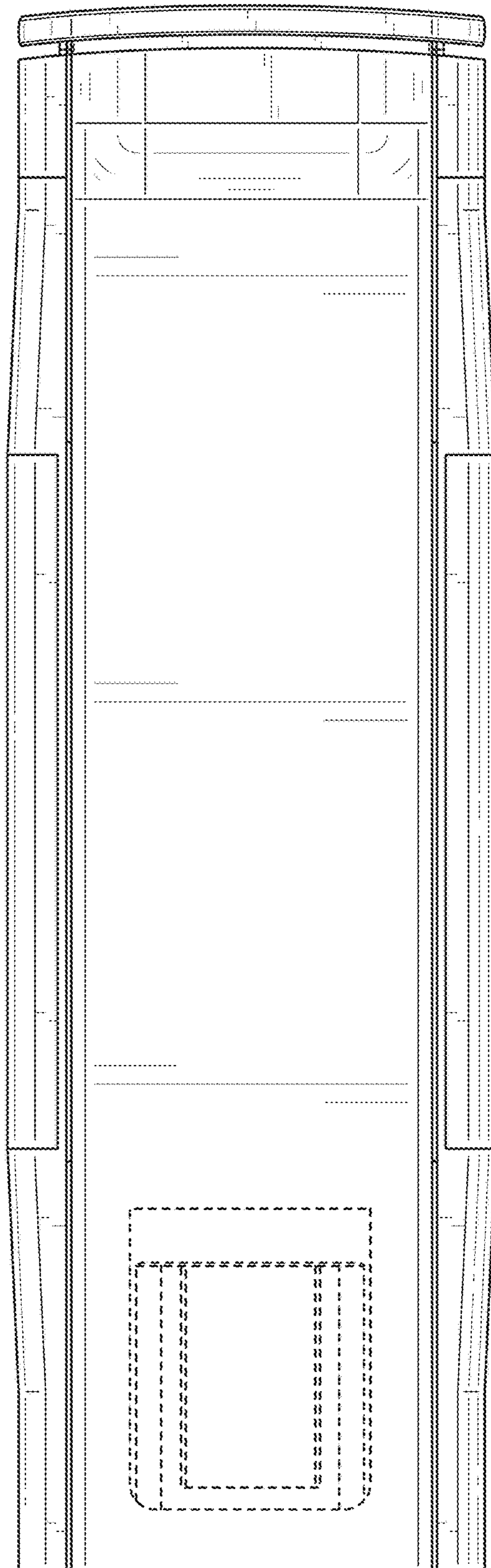


FIG. 5

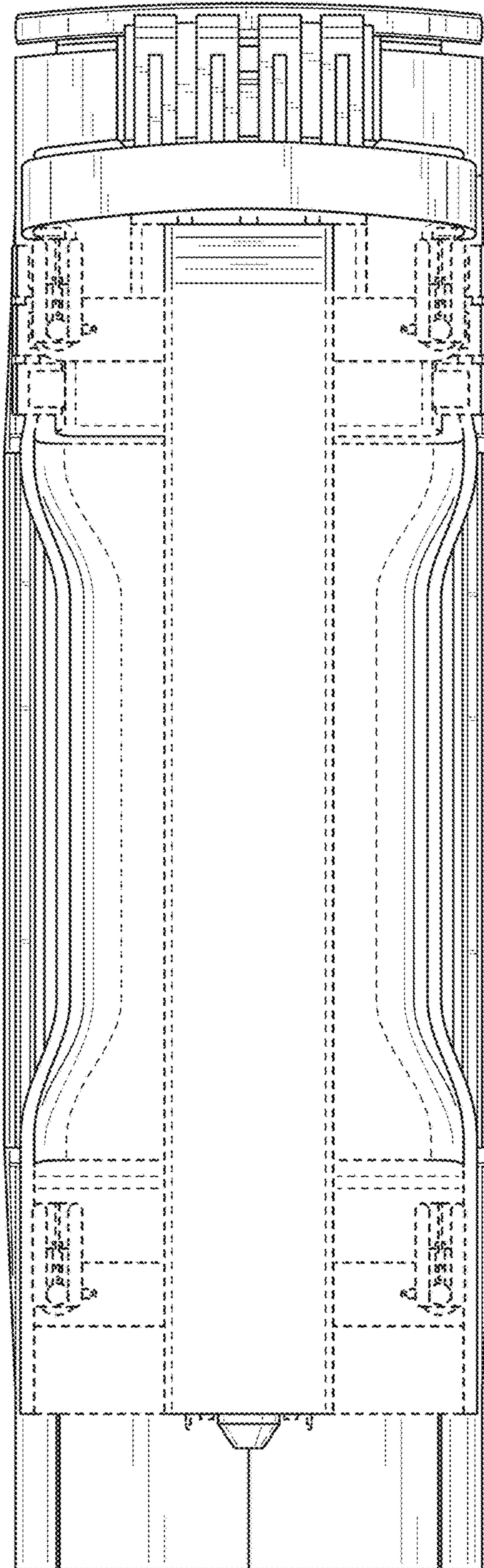


FIG. 6

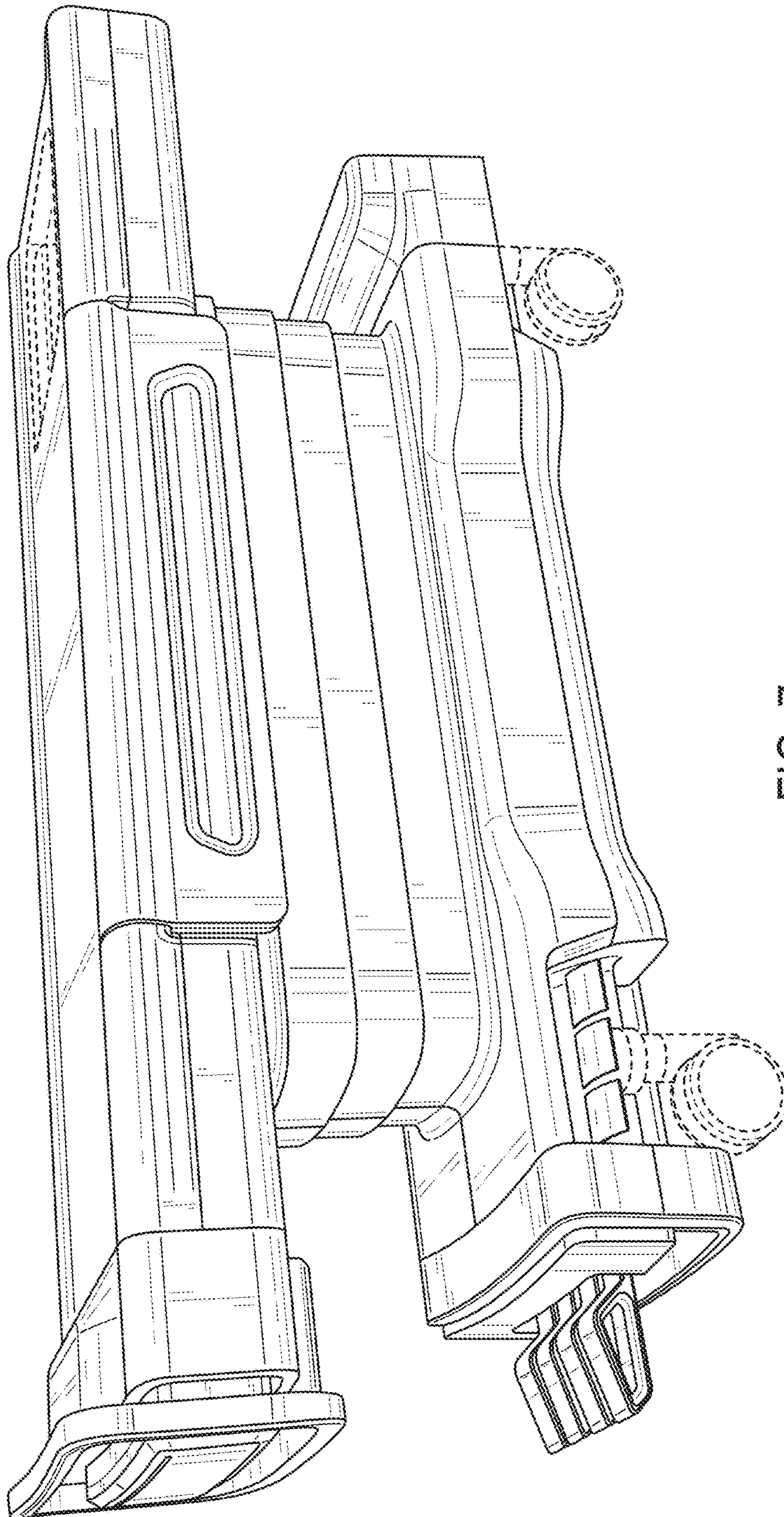


FIG. 7

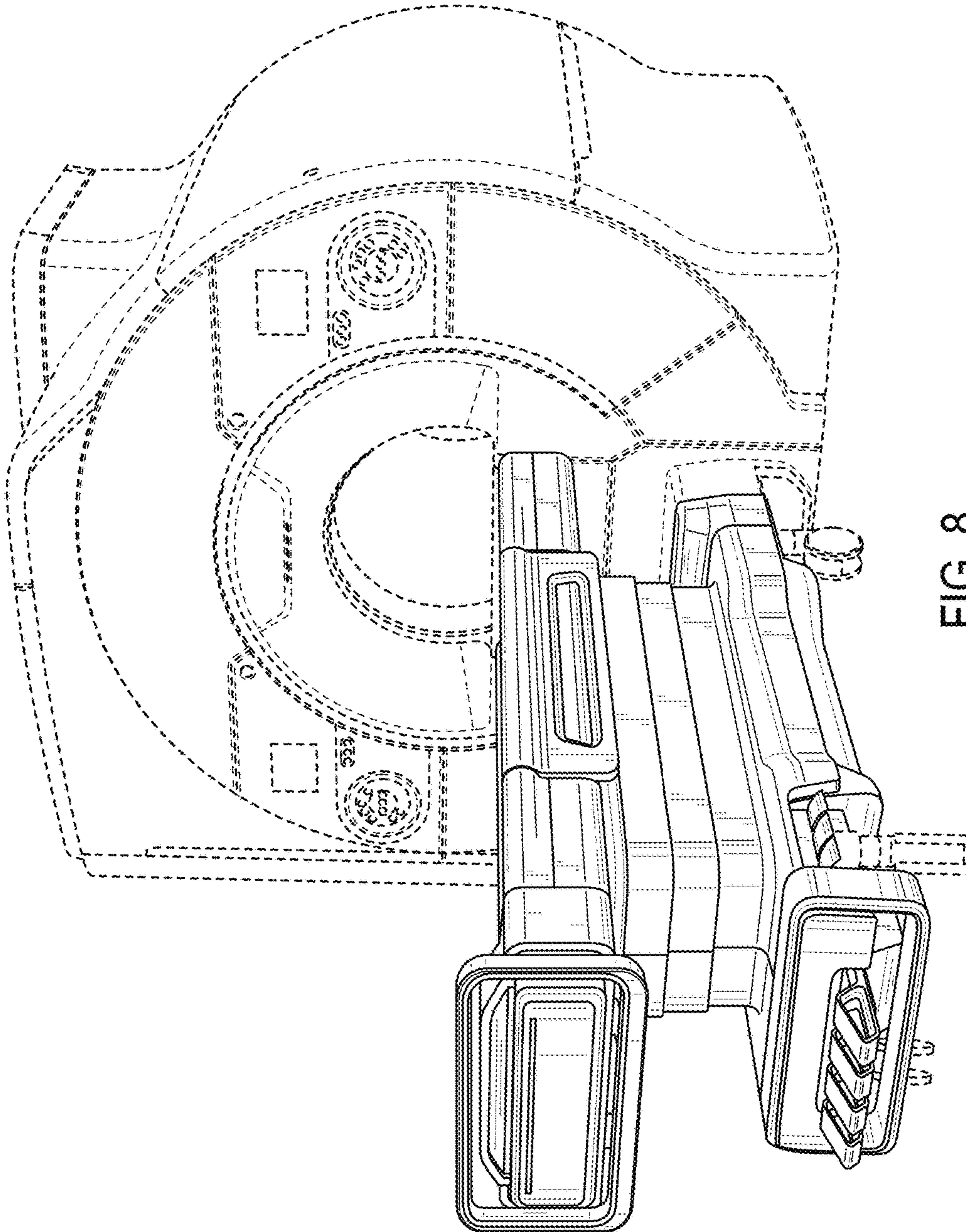


FIG. 8

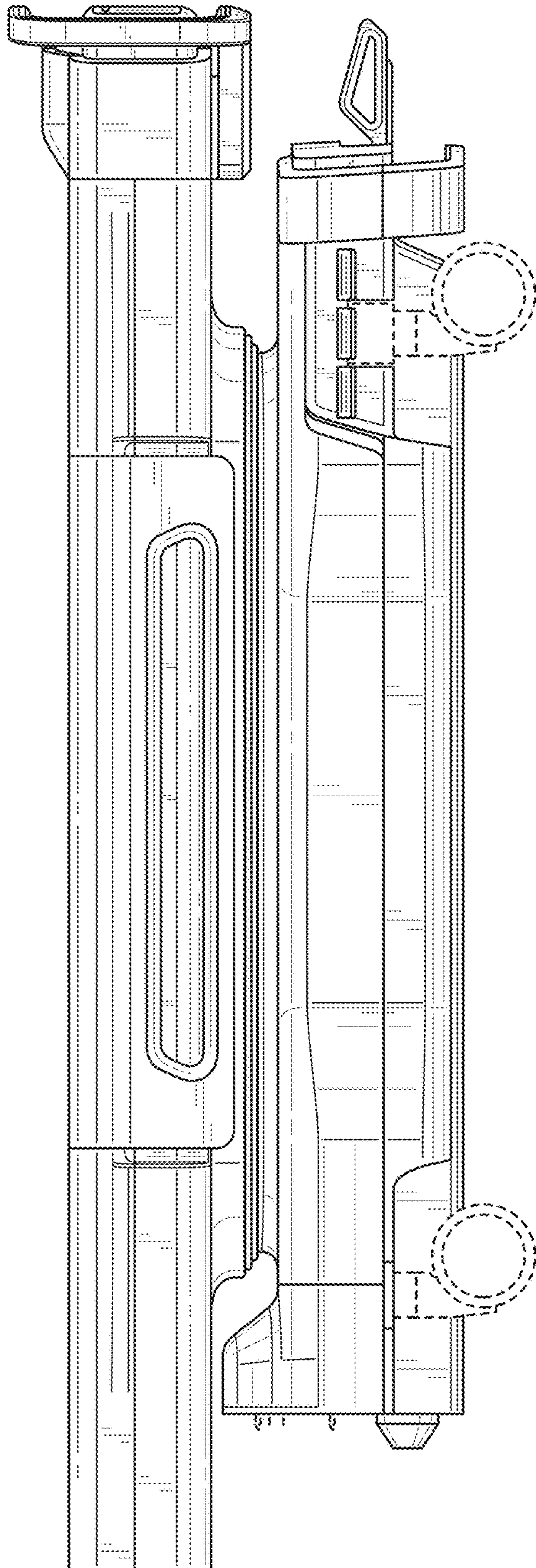


FIG. 9

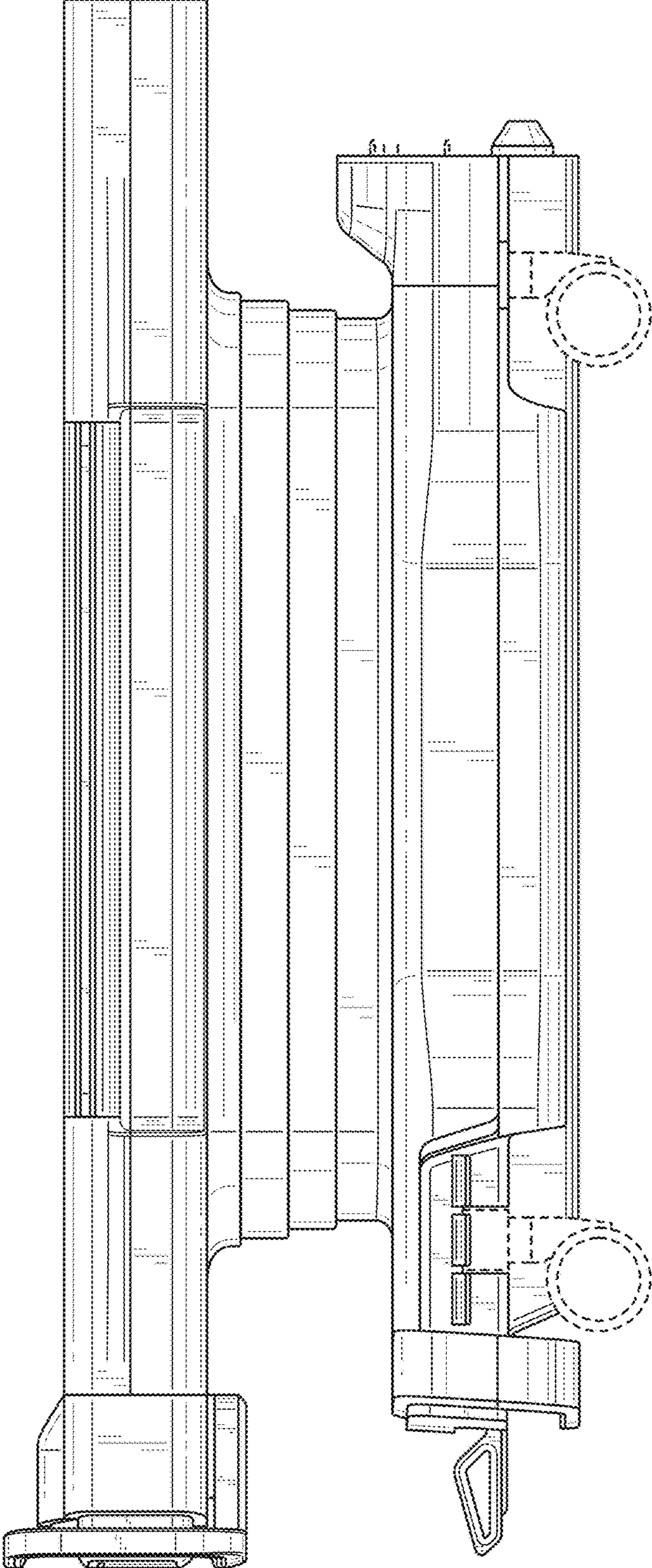


FIG. 10

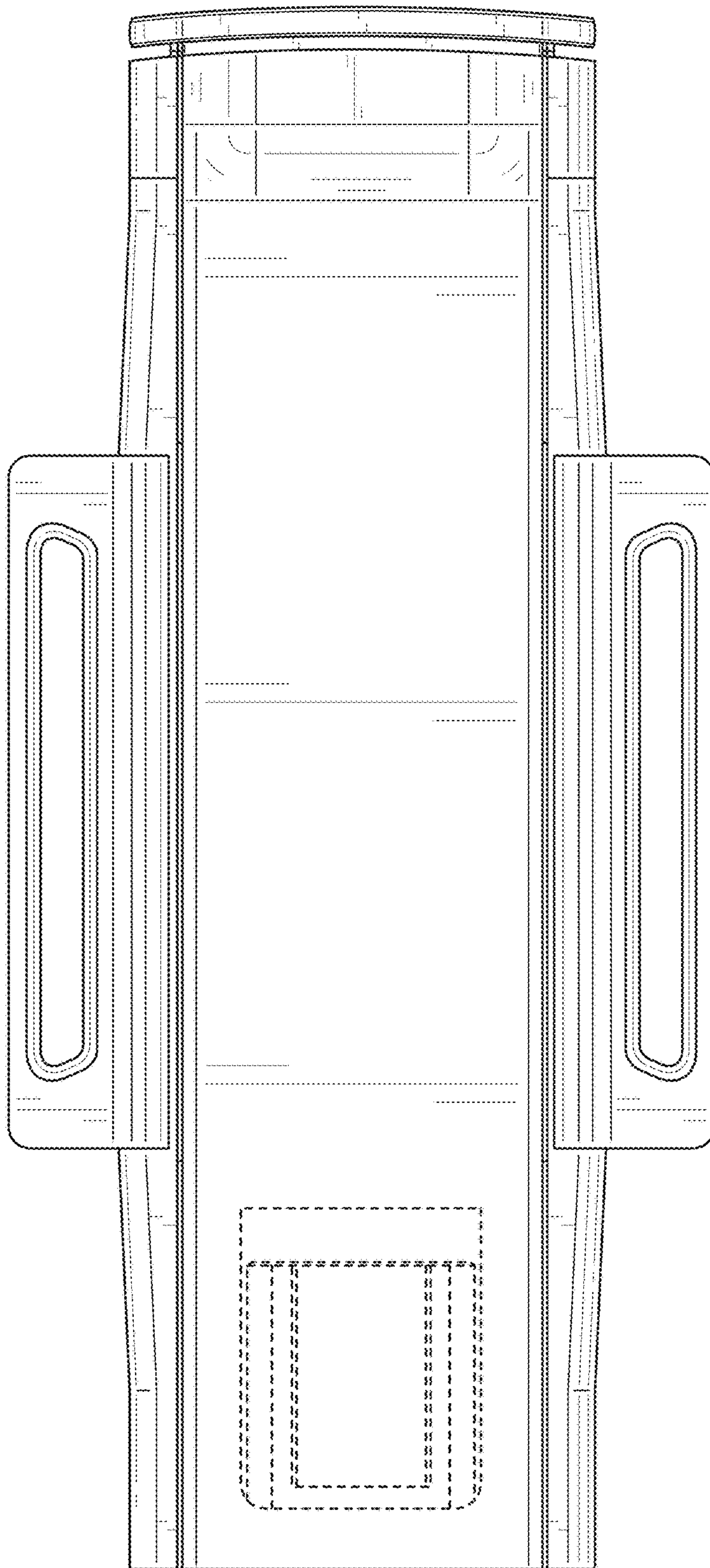


FIG. 11

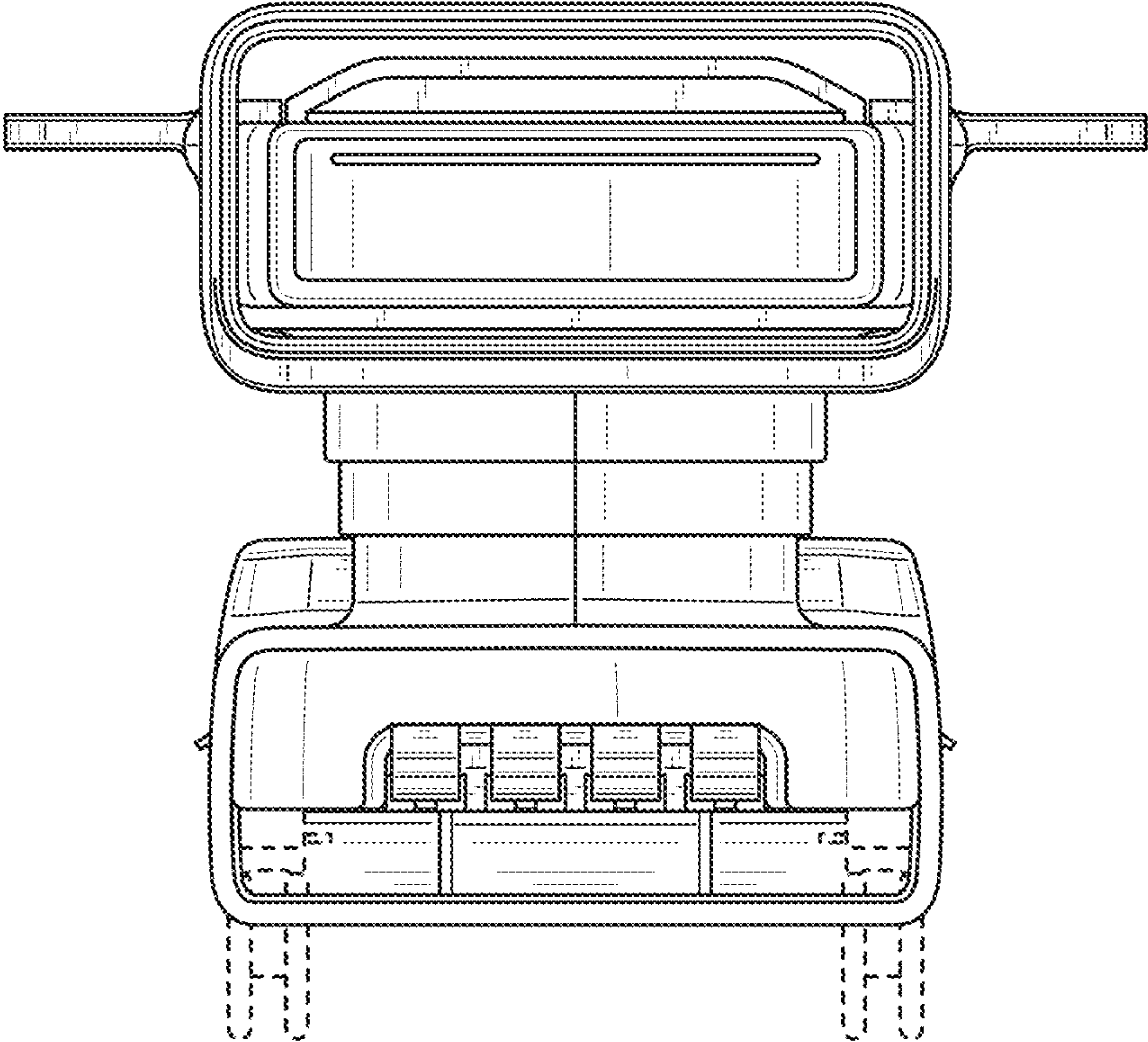


FIG. 12

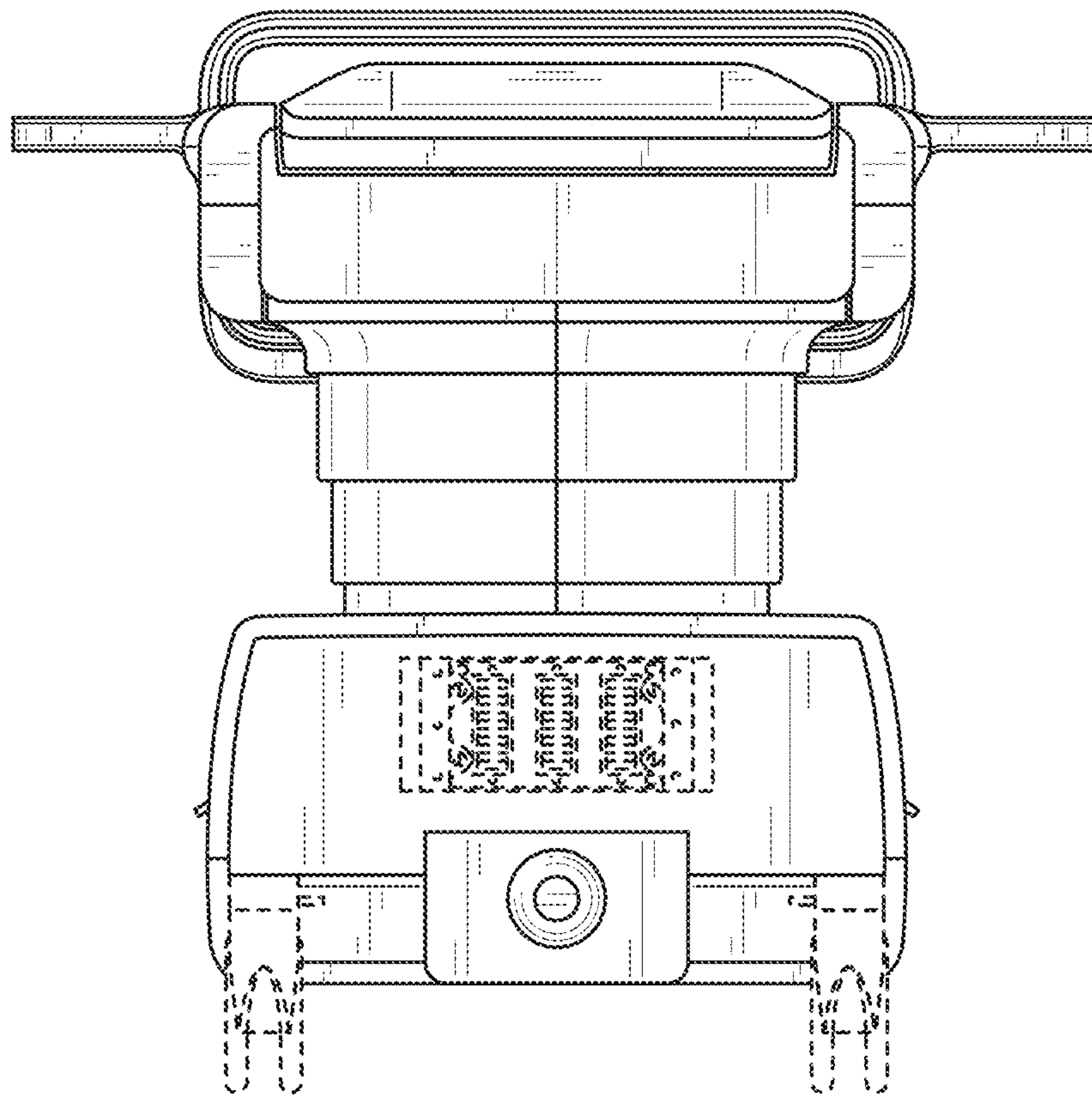


FIG. 13

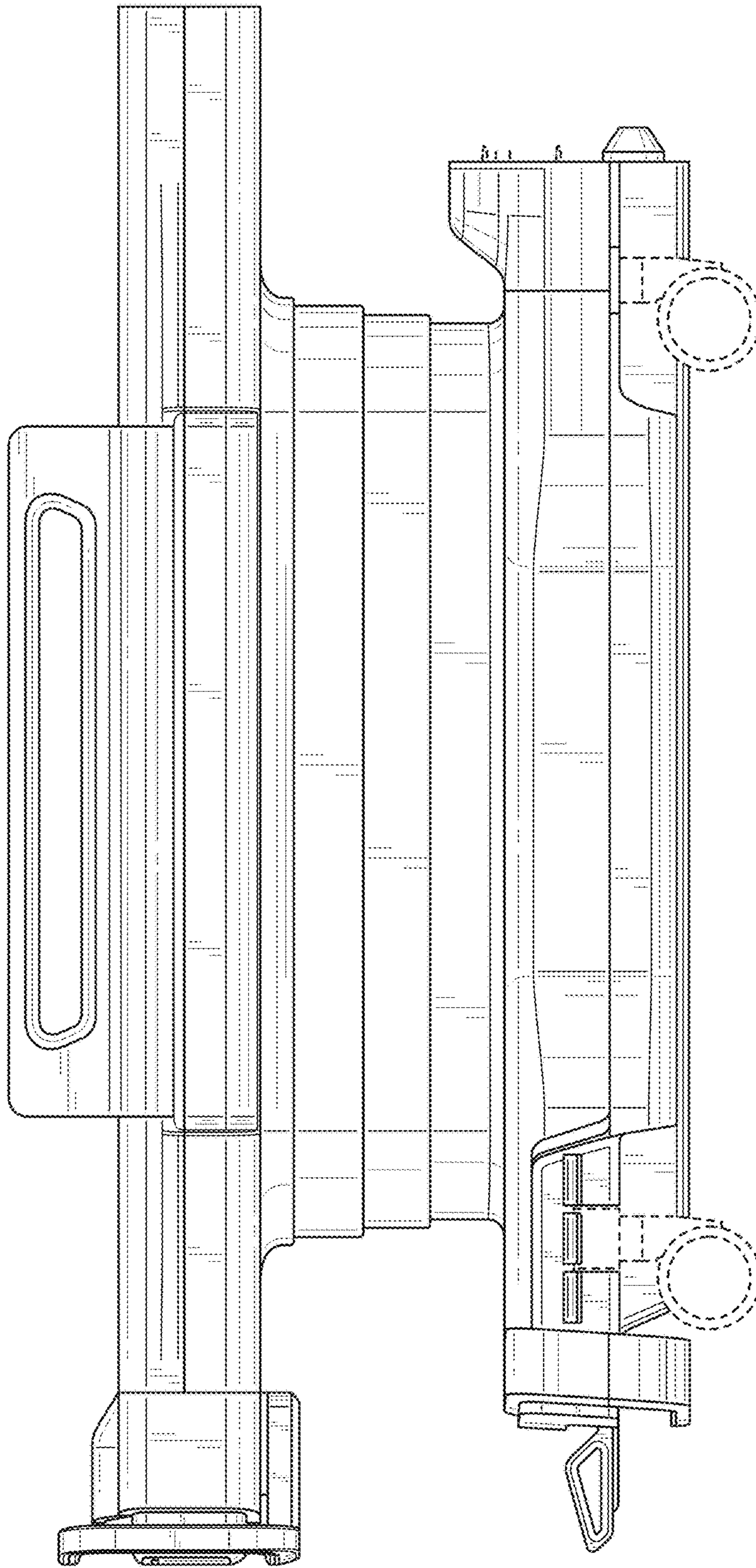


FIG. 14

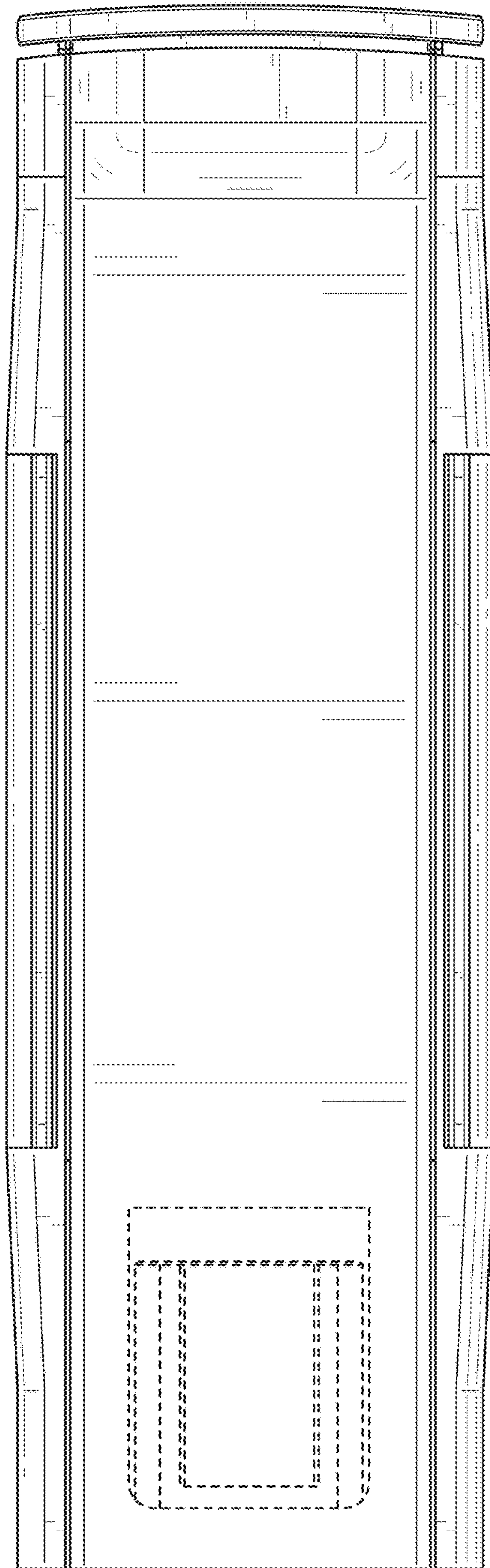


FIG. 15

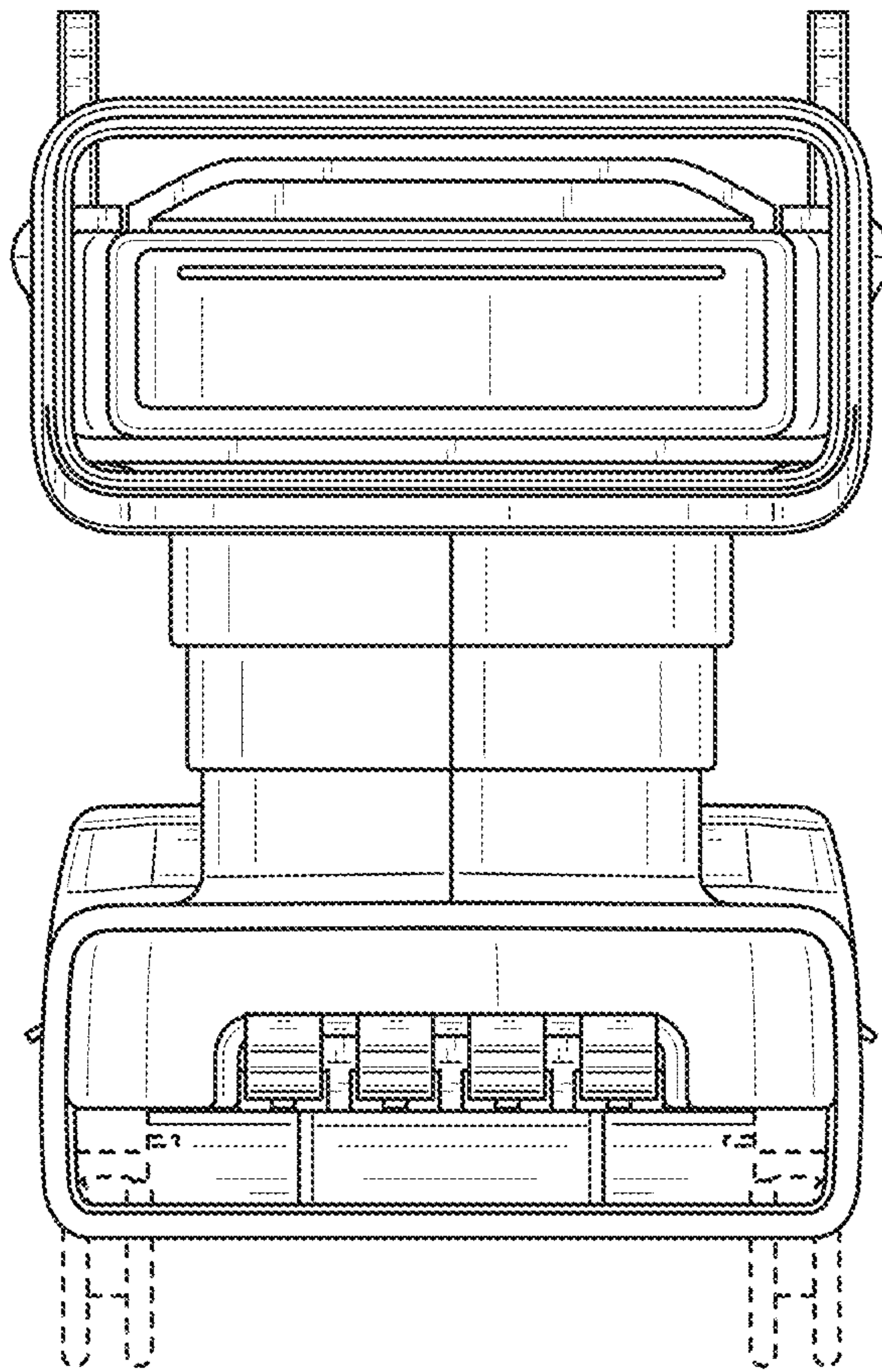


FIG. 16

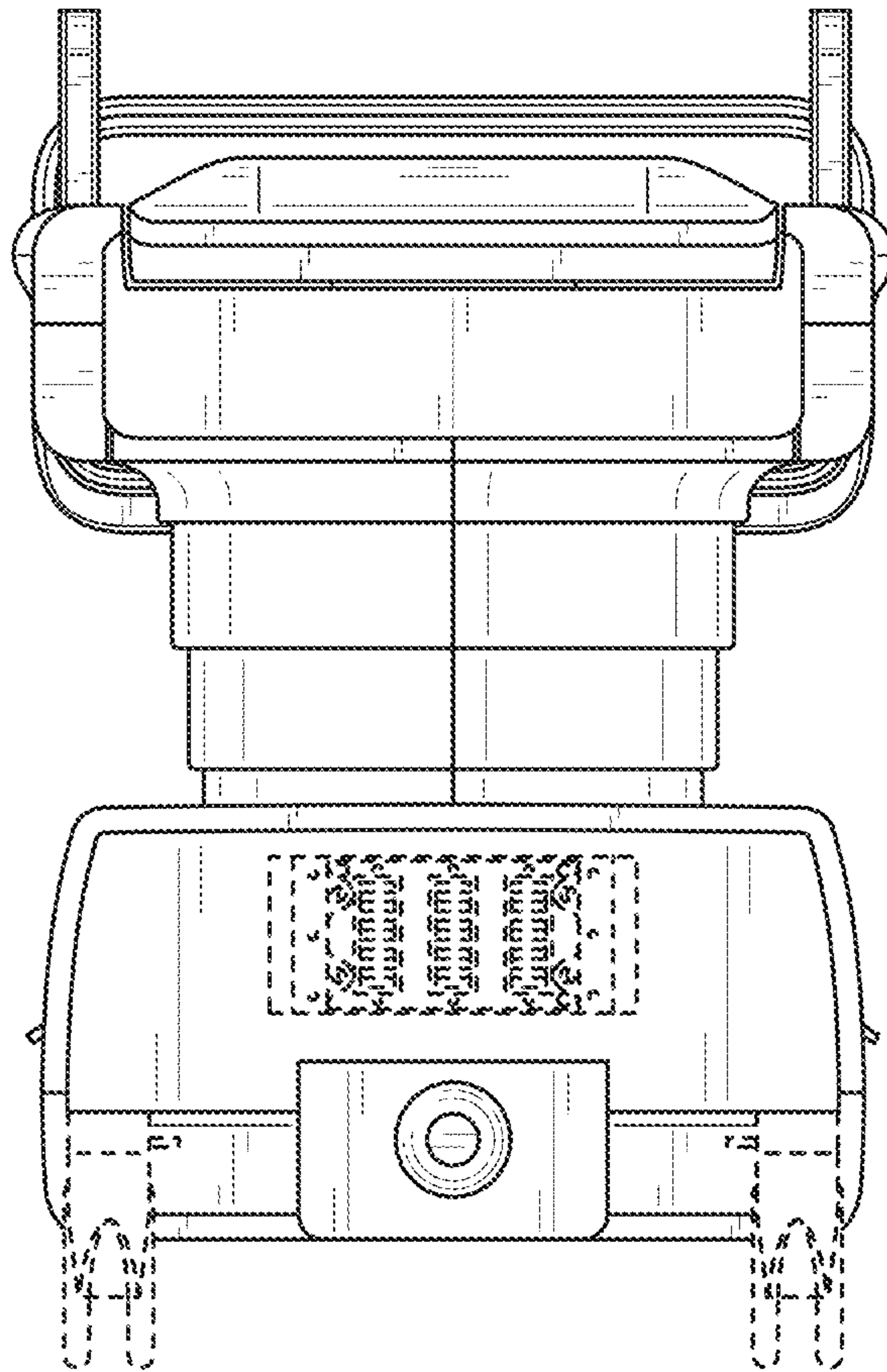


FIG. 17

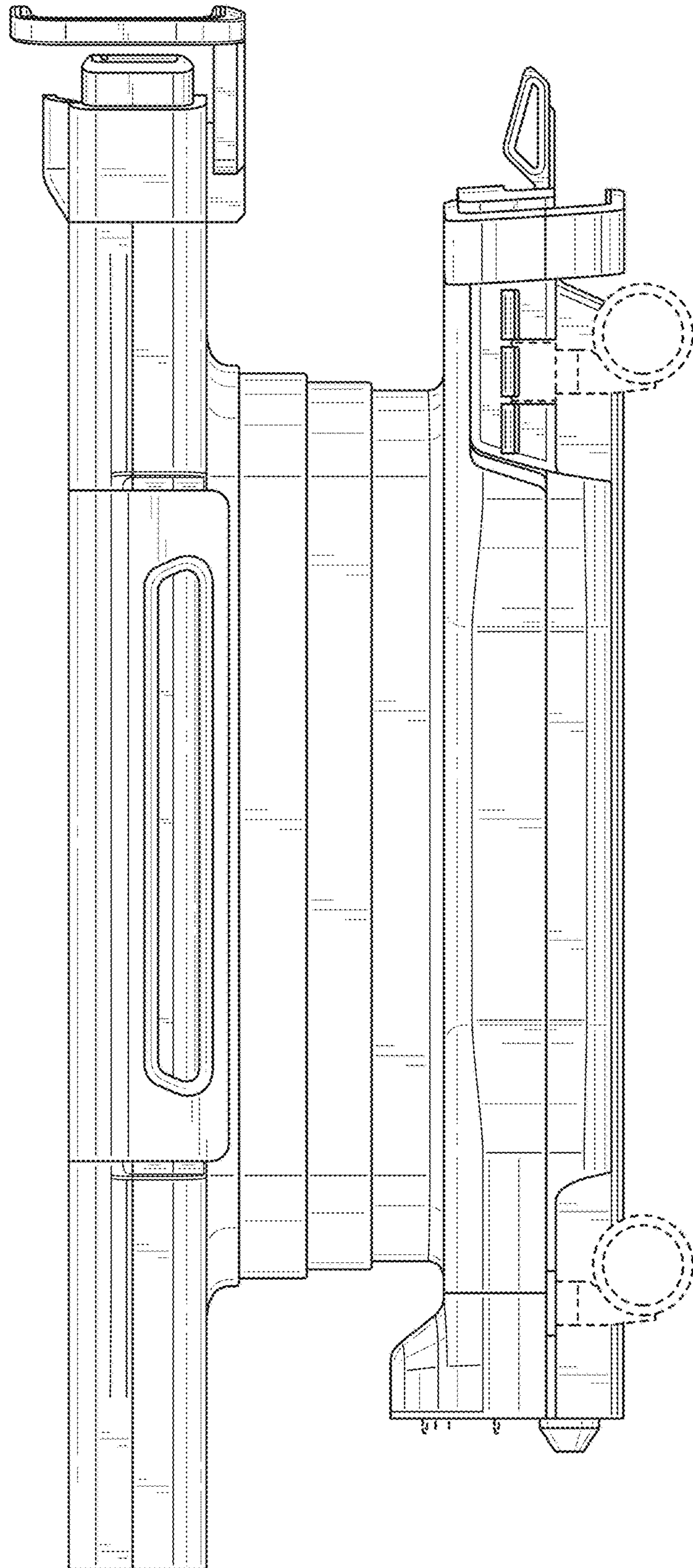


FIG. 18

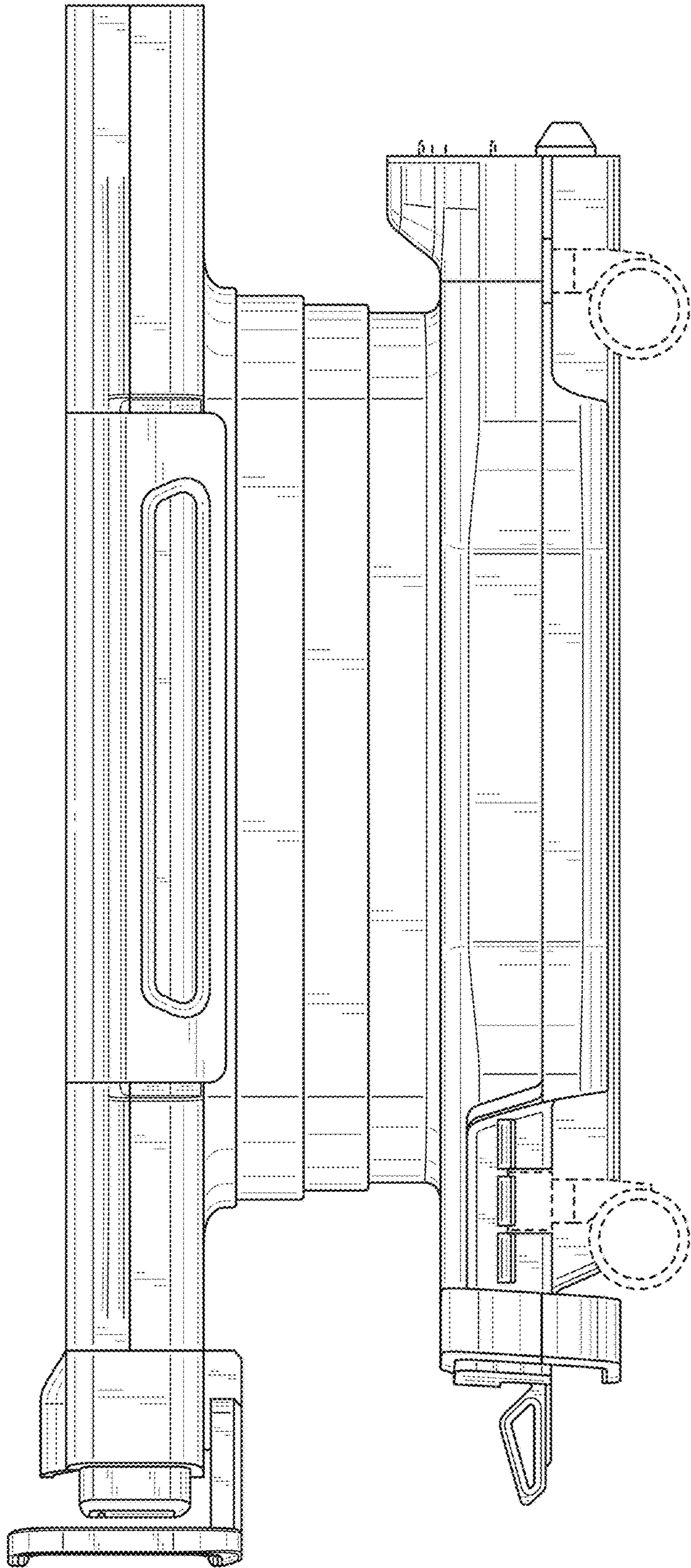


FIG. 19

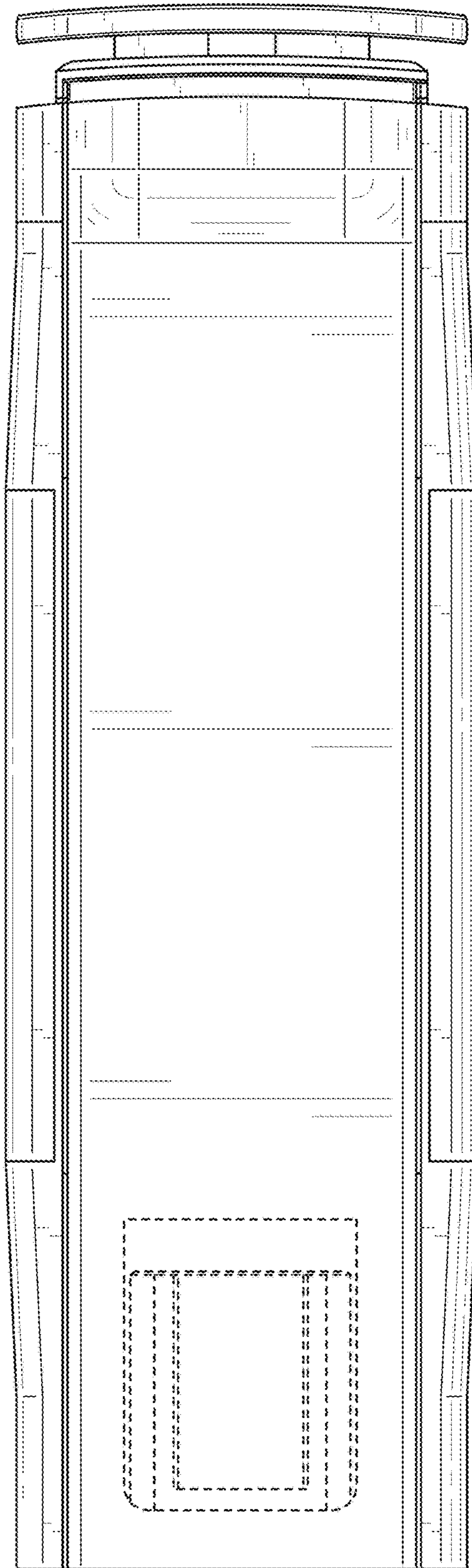


FIG. 20

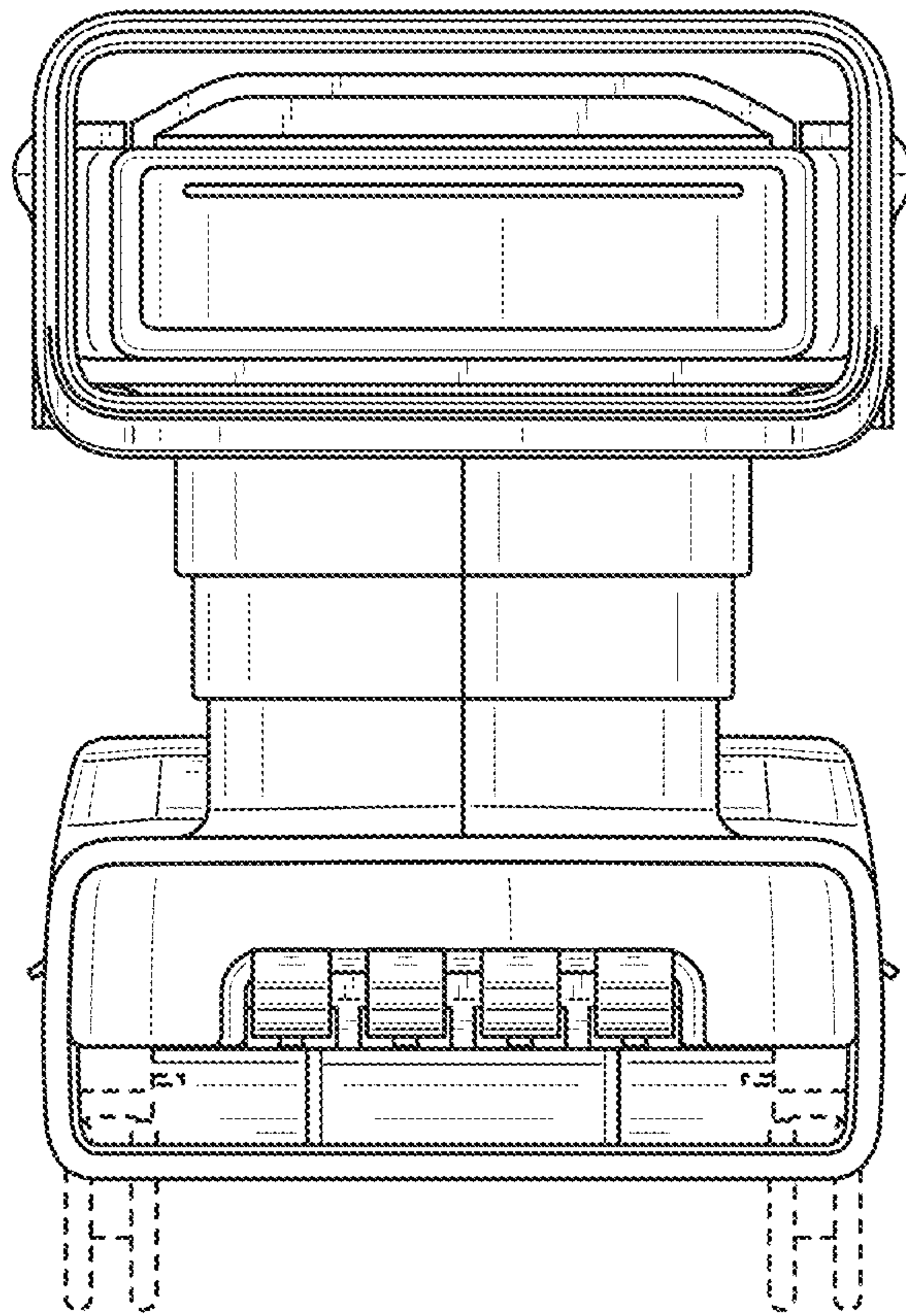


FIG. 21

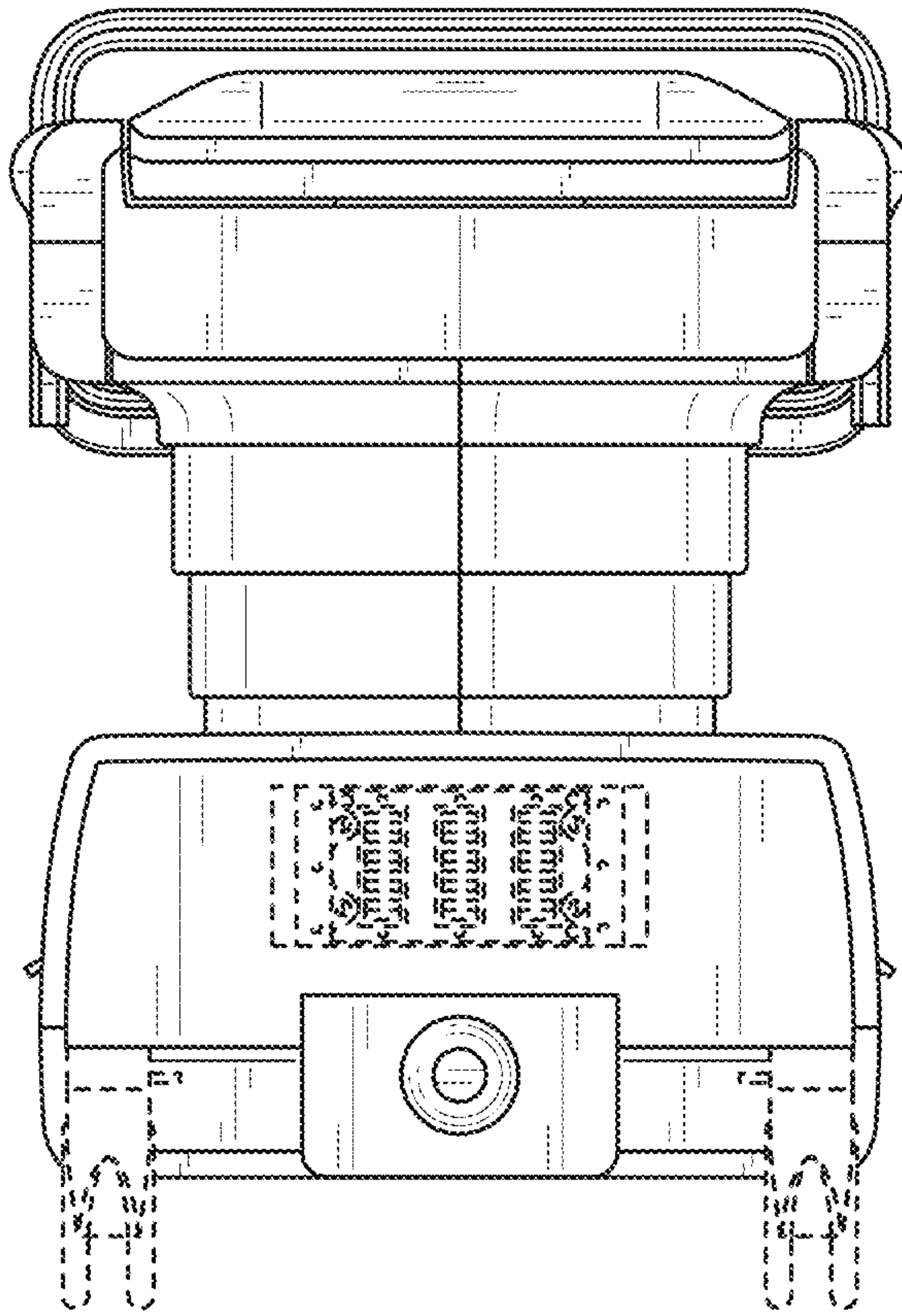


FIG. 22