



US00D820449S

(12) **United States Design Patent**
Jacobson

(10) **Patent No.:** **US D820,449 S**

(45) **Date of Patent:** **** Jun. 12, 2018**

(54) **MEDICAL SECURING DEVICE**

(71) Applicant: **Christel-Anne Jacobson**, Solna (SE)

(72) Inventor: **Christel-Anne Jacobson**, Solna (SE)

(**) Term: **15 Years**

(21) Appl. No.: **29/576,095**

(22) Filed: **Aug. 31, 2016**

(30) **Foreign Application Priority Data**

Mar. 1, 2016 (WO) 962790801

(51) **LOC (11) Cl.** **24-02**

(52) **U.S. Cl.**

USPC **D24/143**

(58) **Field of Classification Search**

USPC D24/143, 147, 133, 127-128, 135;
D8/394-395, 380; 248/516, 541;
81/487, 90.3, 420; 606/205-206

CPC A61B 17/122; A61B 17/1227; A61M
5/1418; E04H 15/62; E04H 15/65

See application file for complete search history.

(56) **References Cited**

U.S. PATENT DOCUMENTS

3,598,125 A * 8/1971 Cogley A61B 17/1227
24/507
4,106,508 A * 8/1978 Berlin A61B 17/1227
251/7
D257,950 S * 1/1981 Van Meter, Jr. D24/143
4,681,109 A * 7/1987 Arroyo A61B 17/11
606/158

D316,601 S * 4/1991 Shichman D24/143
5,713,383 A * 2/1998 Ramirez E04H 15/62
135/118
D446,856 S * 8/2001 Stein D24/135
D466,212 S * 11/2002 Koros D24/135
D476,556 S * 7/2003 Martin D8/395
7,159,256 B1 * 1/2007 Licari E04H 15/62
135/118
D697,395 S * 1/2014 Adams D8/395
8,997,278 B1 * 4/2015 Vanvliet E04H 15/62
135/118

* cited by examiner

Primary Examiner — Wan Laymon

(74) *Attorney, Agent, or Firm* — Tucker Ellis LLP

(57) **CLAIM**

The ornamental design for a medical securing device, as shown and described.

DESCRIPTION

FIG. 1 is a perspective view of a medical securing device showing my new design.

FIG. 2 is a front view thereof.

FIG. 3 is a rear view thereof.

FIG. 4 is a left side view thereof.

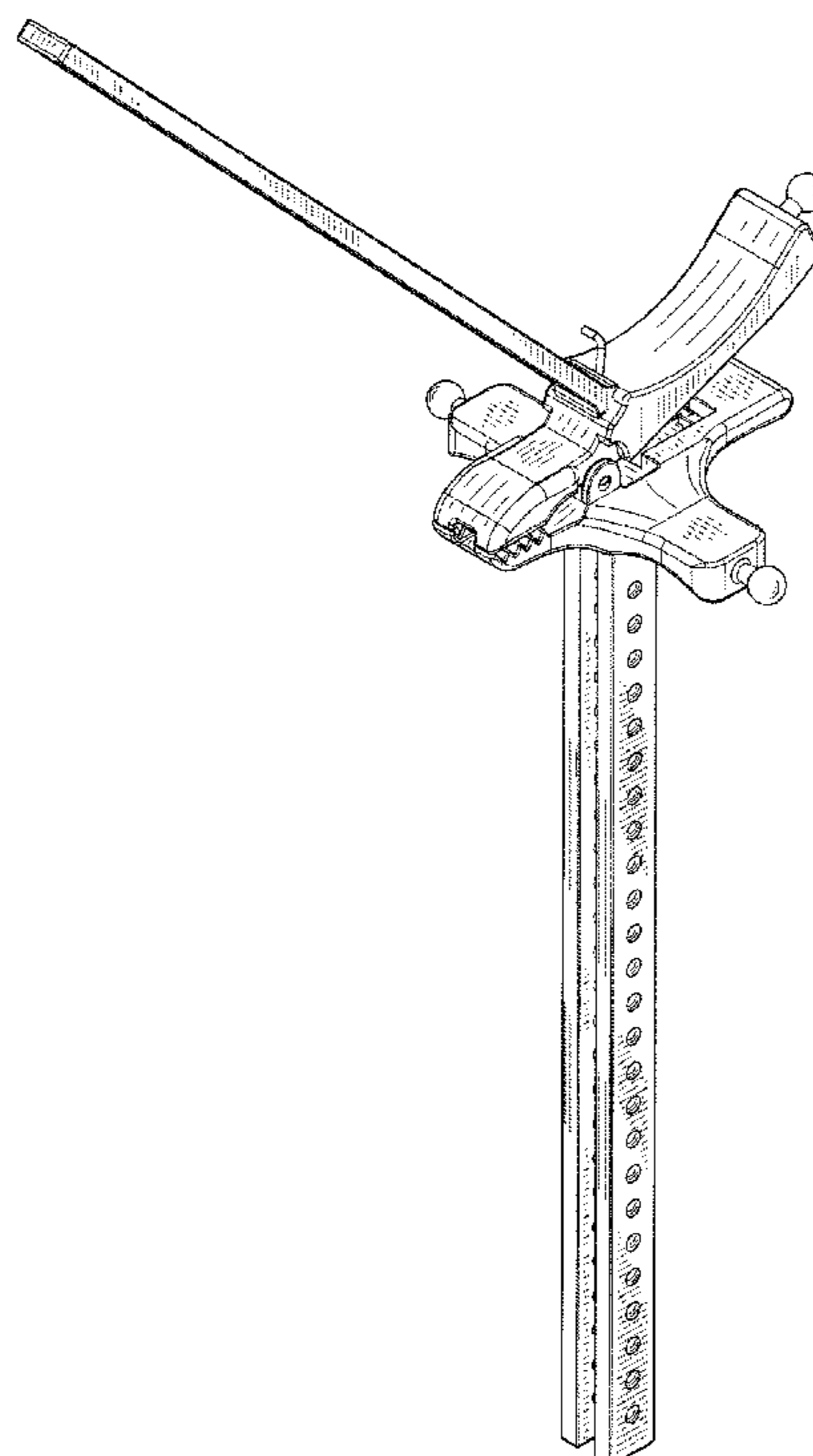
FIG. 5 is a right side view thereof.

FIG. 6 is a reduced top view thereof; and,

FIG. 7 is a reduced bottom view thereof.

The broken lines are for the purpose of illustrating portions of the medical securing device and form no part of the claimed design.

1 Claim, 7 Drawing Sheets



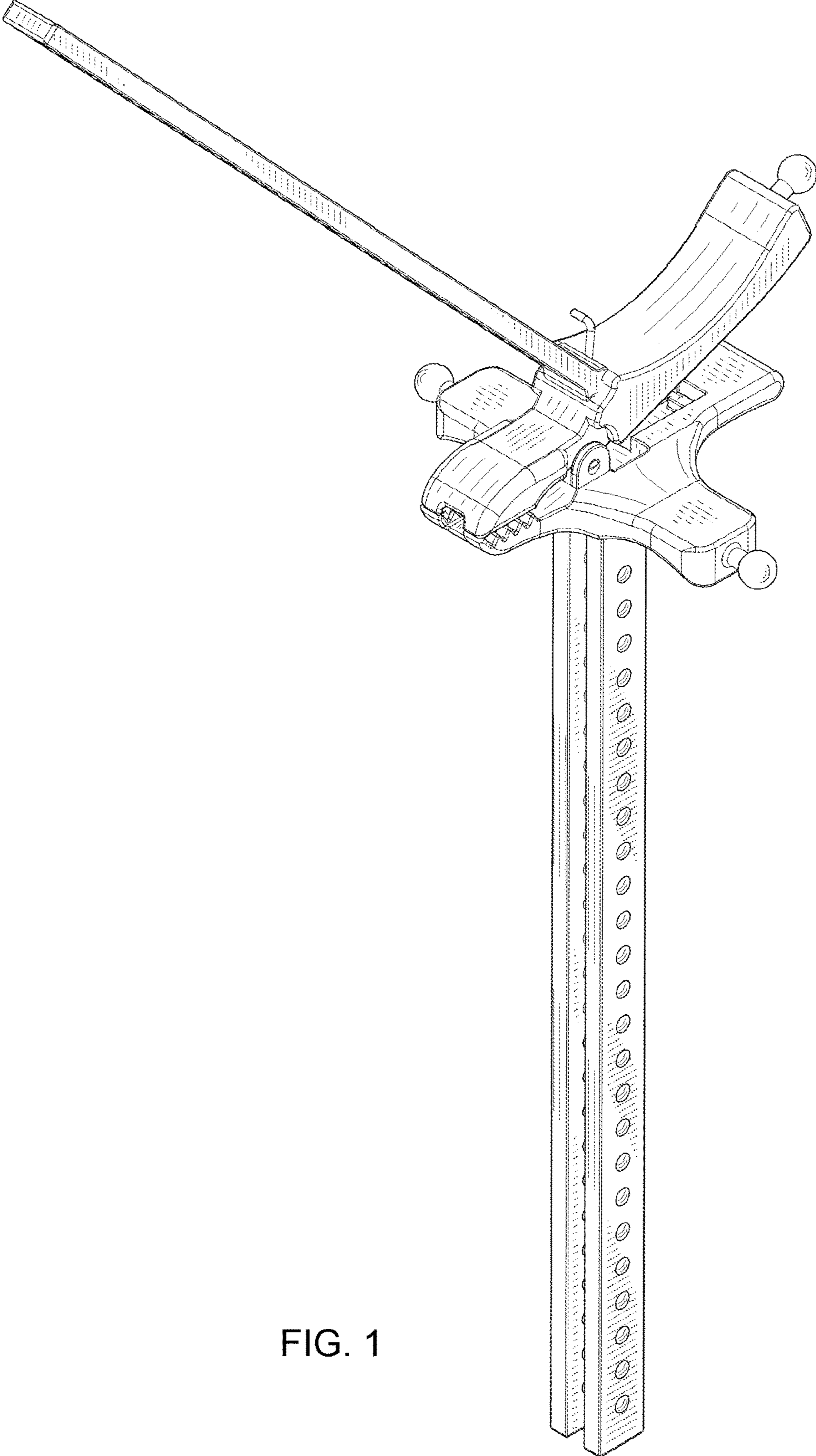


FIG. 1

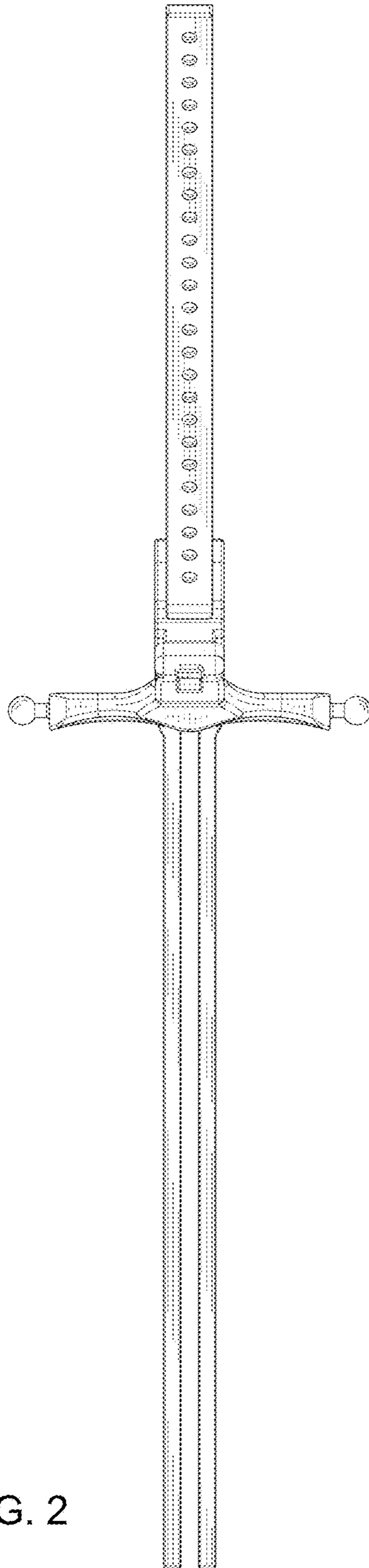


FIG. 2

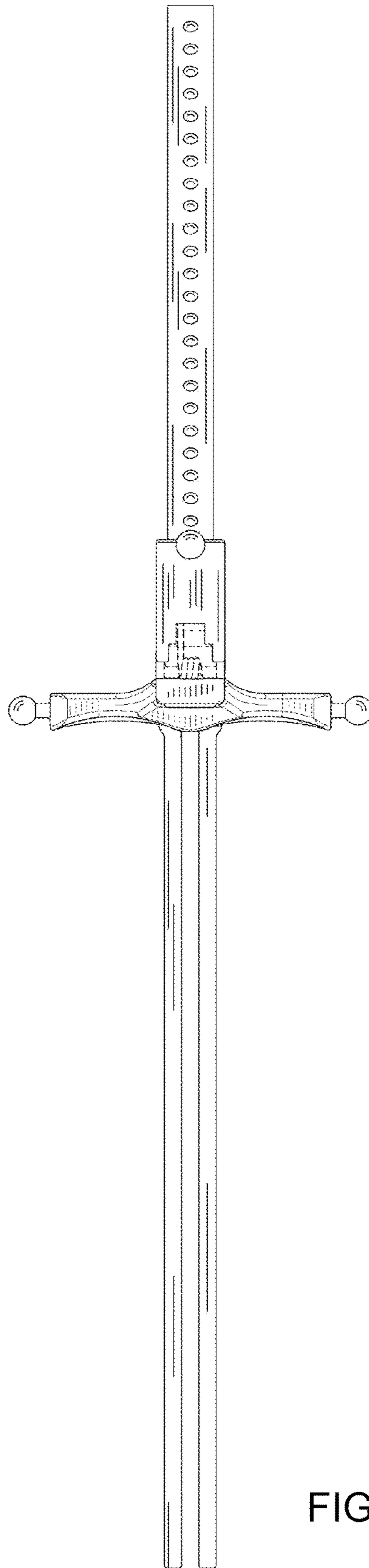


FIG. 3

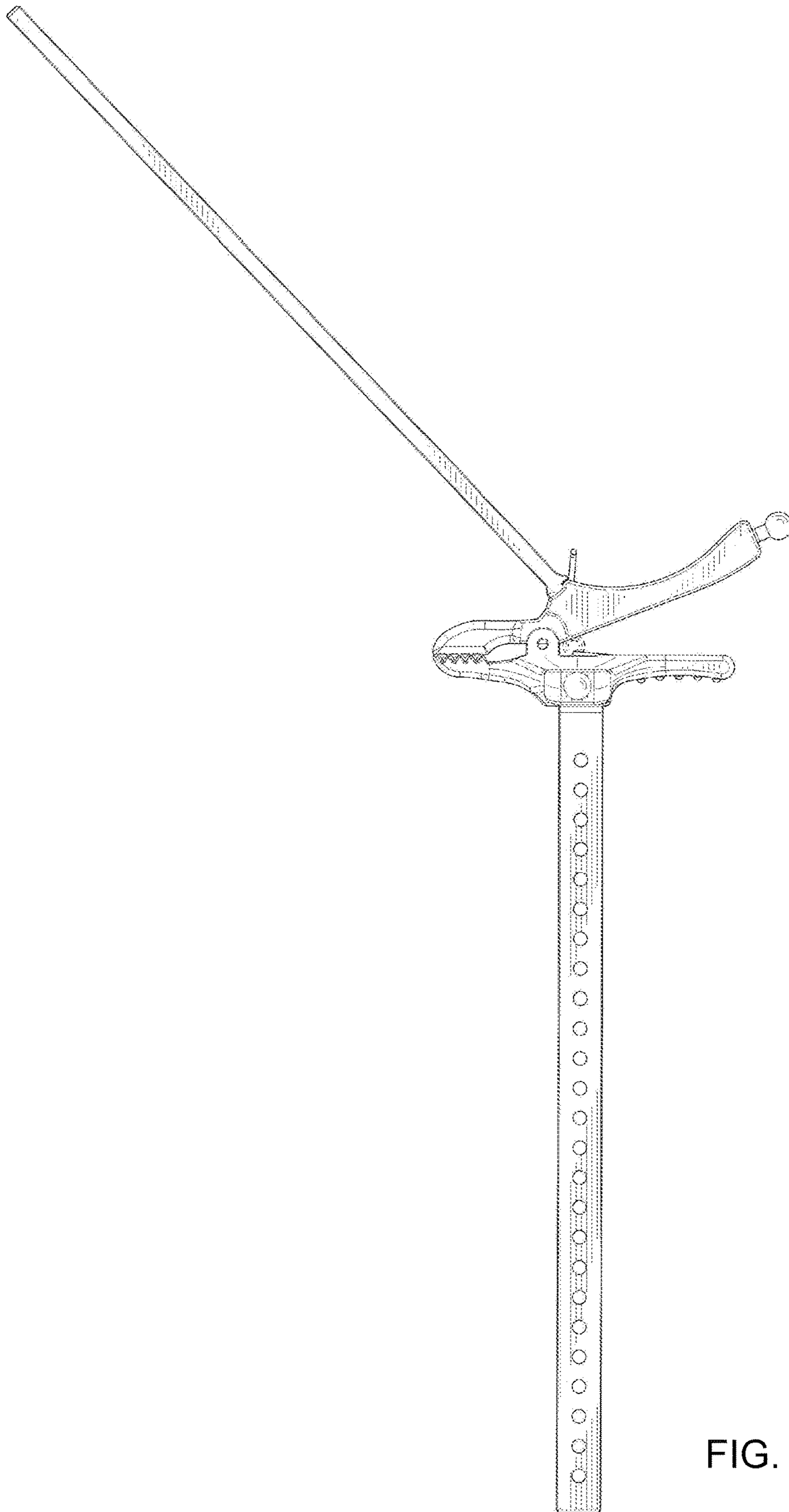


FIG. 4

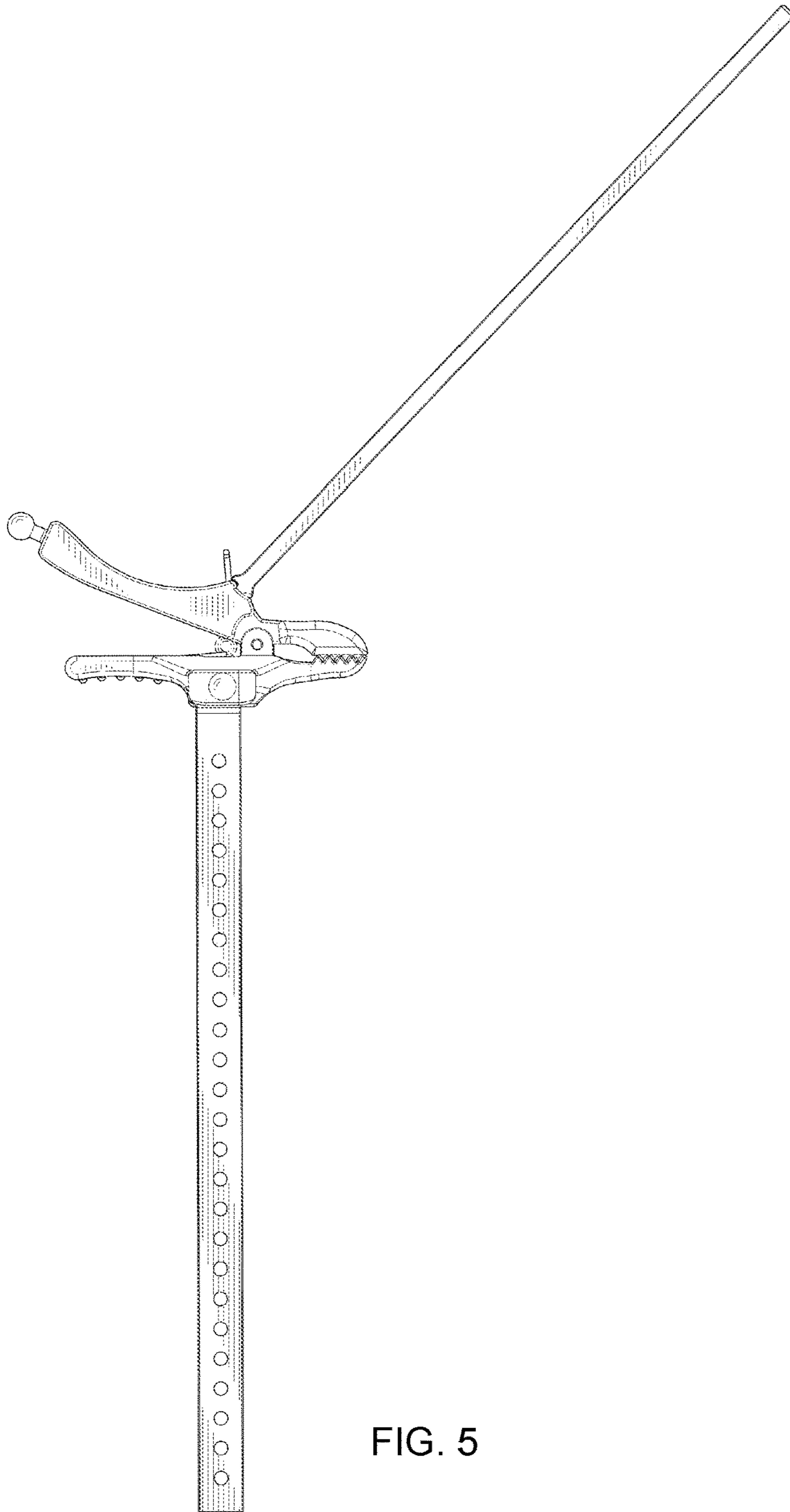


FIG. 5

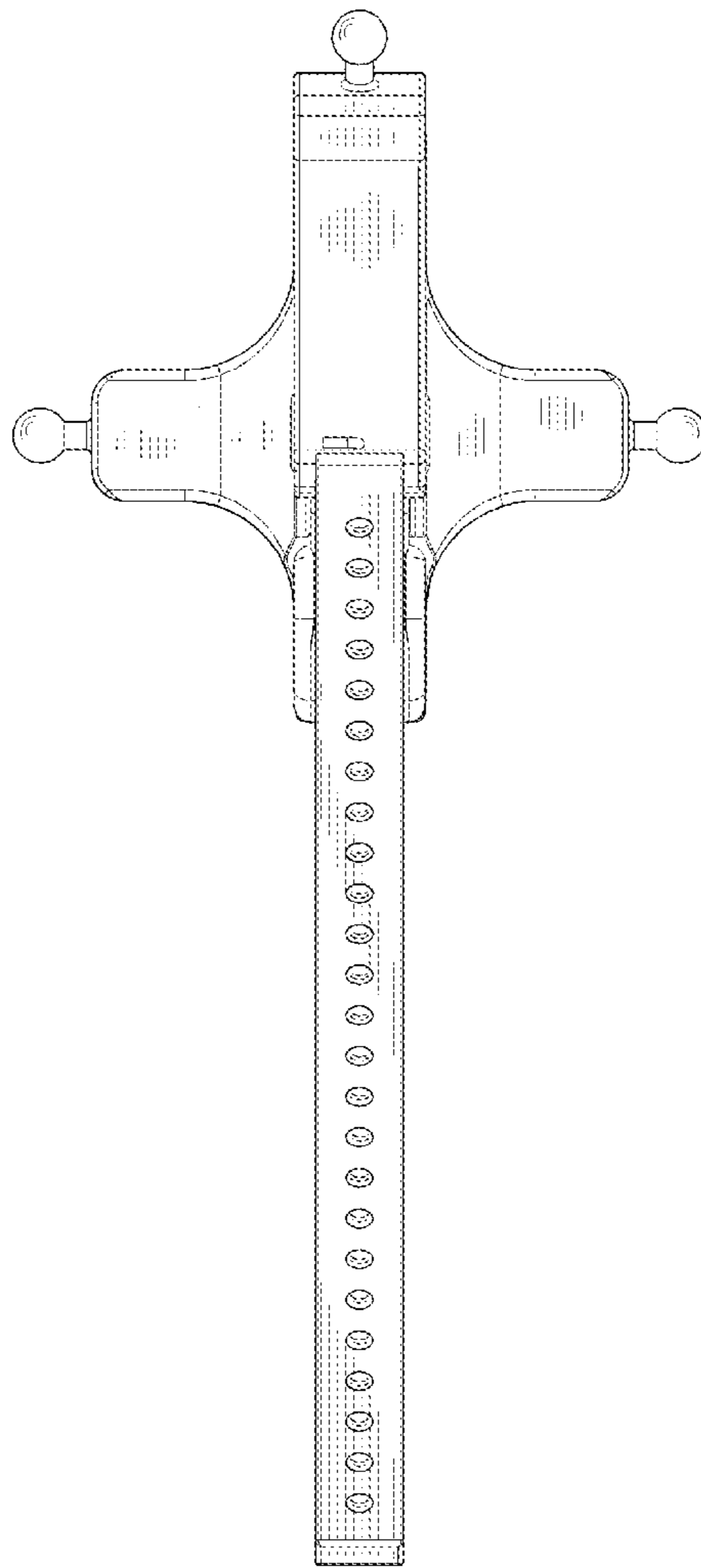


FIG. 6

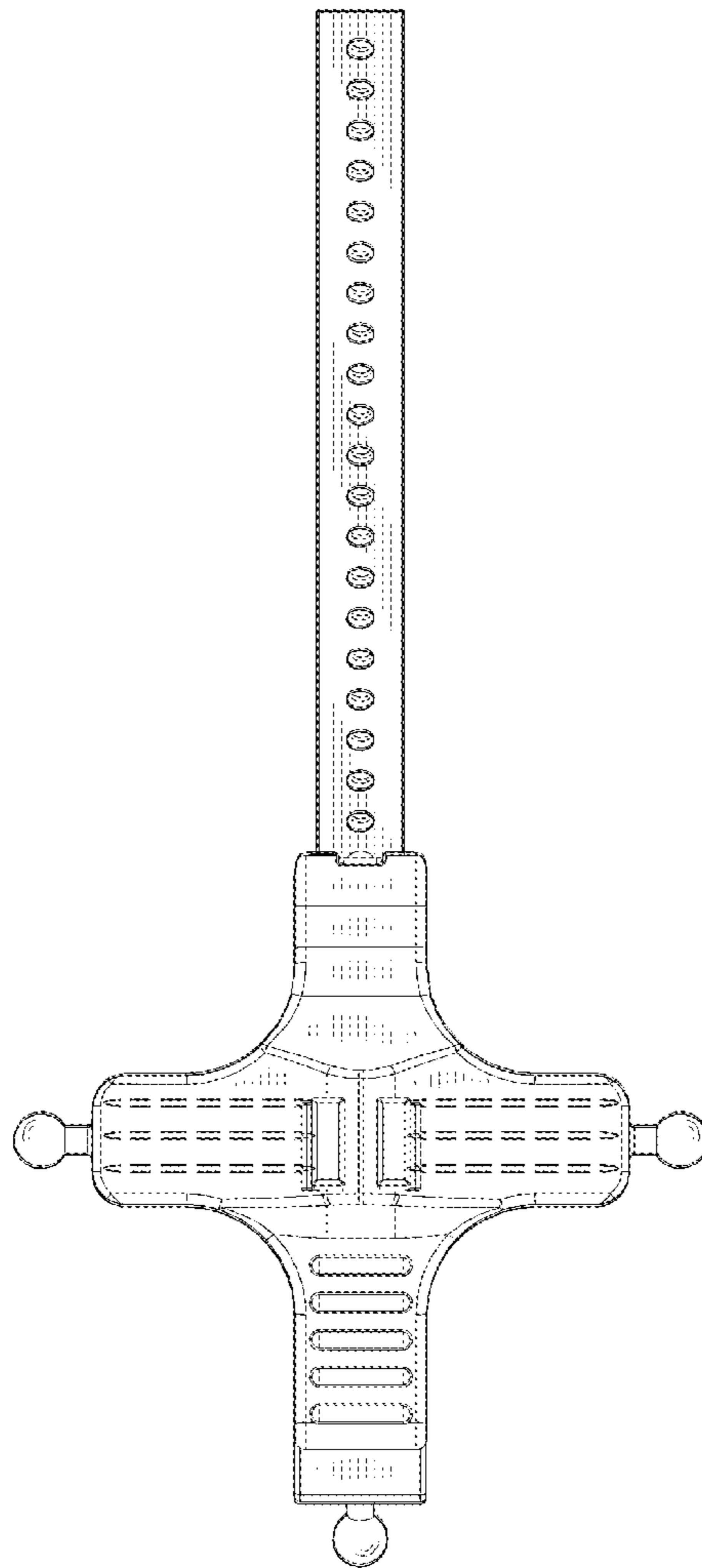


FIG. 7