



US00D820447S

(12) **United States Design Patent**
Brimer et al.

(10) **Patent No.:** **US D820,447 S**
(45) **Date of Patent:** **** *Jun. 12, 2018**

- (54) **SPIROMETER DEVICE**
- (71) Applicant: **Sparo Inc.**, St. Louis, MO (US)
- (72) Inventors: **Andrew Brimer**, St. Louis, MO (US);
Philip Frank, Portland, OR (US)
- (73) Assignee: **SPARO, INC.**, St. Louis, MO (US)
- (*) Notice: This patent is subject to a terminal disclaimer.
- (**) Term: **14 Years**
- (21) Appl. No.: **29/521,376**
- (22) Filed: **Mar. 23, 2015**
- (51) **LOC (11) Cl.** **24-02**
- (52) **U.S. Cl.**
USPC **D24/140**
- (58) **Field of Classification Search**
USPC D24/110.5, 133, 164, 186
CPC A61B 5/091; A61B 5/093; A61B 5/09;
A61B 5/087
See application file for complete search history.

- 5,549,117 A 8/1996 Tacklind et al.
- 5,626,144 A 5/1997 Tacklind et al.
- 5,638,867 A 6/1997 Huang
- 5,704,366 A 1/1998 Tacklind et al.
- 6,168,568 B1 1/2001 Gavriely
- 6,241,683 B1 6/2001 MacKlem et al.
- 6,261,238 B1 7/2001 Gavriely

(Continued)

FOREIGN PATENT DOCUMENTS

- CN 303656600 * 4/2016
- JP D1387292 * 5/2010

(Continued)

OTHER PUBLICATIONS

Mistry Medical. <URL: Vitalograph Alpha Touch Desktop Spirometer (65500).pdf.> Visited Aug. 17, 2016. Spirometer.*

(Continued)

Primary Examiner — Thomas Johannes
Assistant Examiner — Lauren McVey
(74) *Attorney, Agent, or Firm* — Cooley LLP

(57) **CLAIM**

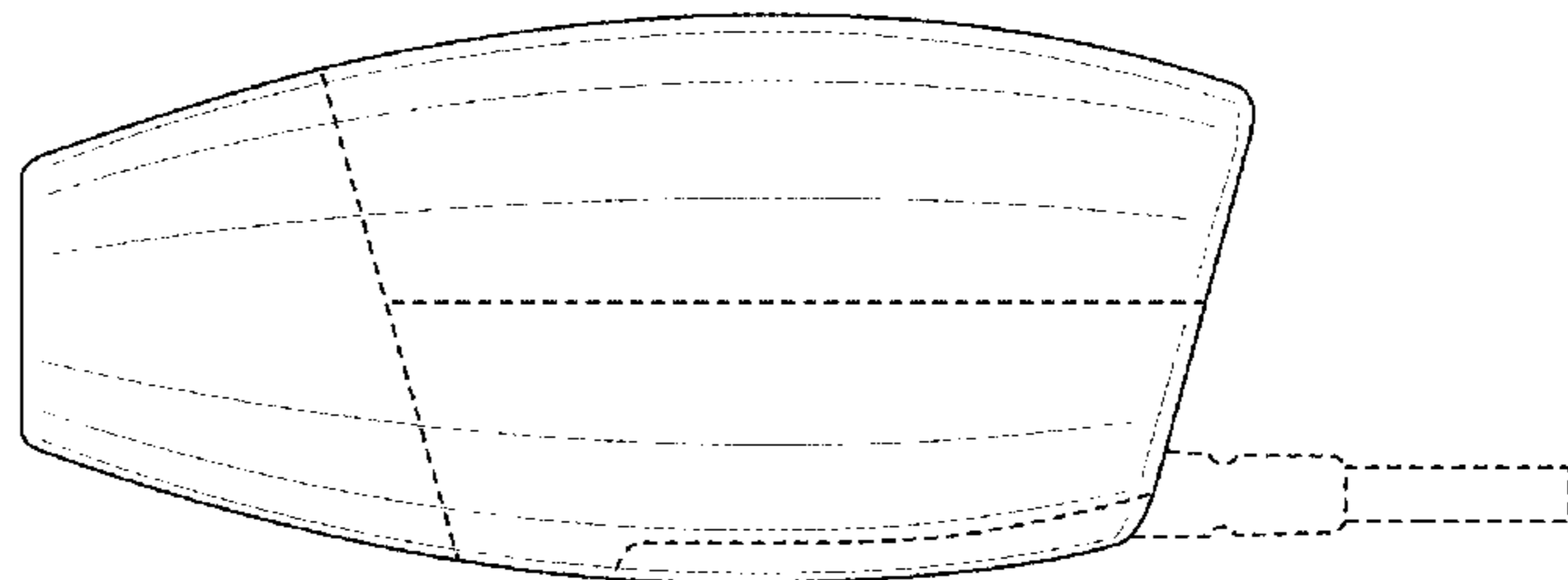
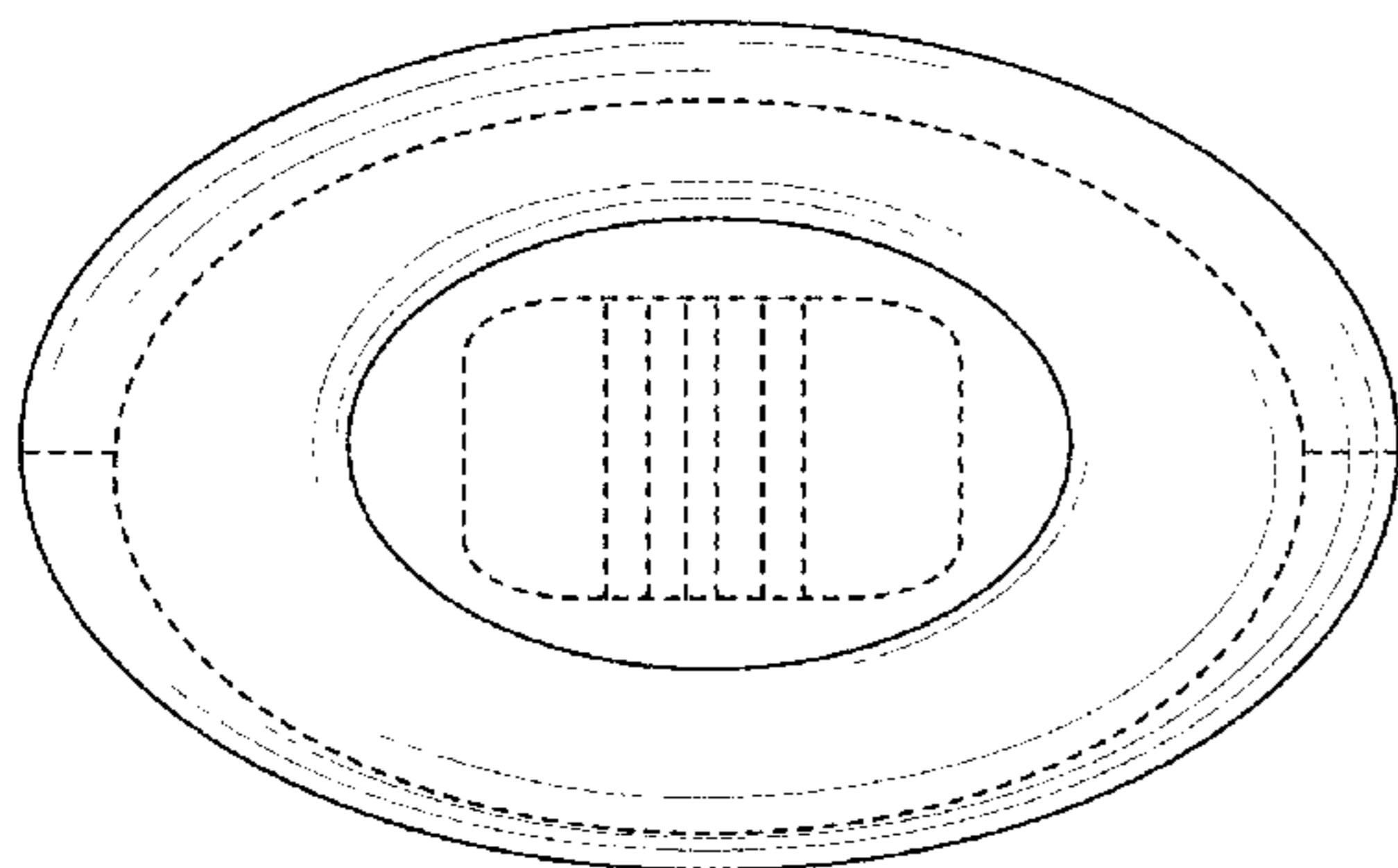
The ornamental design for a spirometer device, as shown and described.

DESCRIPTION

FIG. 1 is a perspective view of a spirometer device, showing our new design;
FIG. 2 is a top plan view thereof;
FIG. 3 is a front elevation view thereof;
FIG. 4 is a right side elevation view thereof;
FIG. 5 is a left side elevation view thereof;
FIG. 6 is a rear elevation view thereof; and,
FIG. 7 is a bottom plan view thereof.
The broken lines are directed to the environment and form no part of the claimed design.

1 Claim, 7 Drawing Sheets

- (56) **References Cited**
- U.S. PATENT DOCUMENTS**
- D201,336 S * 6/1965 Nelson D24/198
- 3,690,171 A 9/1972 Tippetts et al.
- 4,244,230 A 1/1981 Bauer
- 4,296,756 A 10/1981 Dunning et al.
- 4,838,091 A 6/1989 Markland et al.
- 4,843,889 A 7/1989 Mansy et al.
- 5,022,406 A 6/1991 Tomlinson
- 5,063,786 A 11/1991 Sanderson et al.
- D335,552 S * 5/1993 Kohnke D24/110.5
- D344,337 S * 2/1994 Mayer D24/164
- 5,357,975 A 10/1994 Kraemer et al.
- 5,363,704 A 11/1994 Huang
- 5,396,808 A 3/1995 Huang et al.
- 5,396,809 A 3/1995 Huang
- D358,881 S * 5/1995 Krupansky D24/110.5



(56)

References Cited

U.S. PATENT DOCUMENTS

D467,340 S * 12/2002 Mayer D24/133
 6,508,772 B2 1/2003 Vilozni
 6,553,884 B1 4/2003 Luehmann et al.
 6,733,464 B2 5/2004 Olbrich et al.
 6,860,157 B1 3/2005 Yang et al.
 7,033,323 B2 4/2006 Botbol et al.
 7,077,810 B2 7/2006 Lange et al.
 7,094,208 B2 8/2006 Williams et al.
 7,267,652 B2 9/2007 Coyle et al.
 D557,404 S * 12/2007 Kristensen D24/110
 7,383,740 B2 6/2008 Krasilchikov et al.
 7,529,670 B1 5/2009 Michaelis
 7,761,302 B2 7/2010 Woodcock et al.
 7,785,262 B2 8/2010 Melker et al.
 7,827,870 B2 11/2010 Cottam et al.
 D634,002 S * 3/2011 Laerdal D24/108
 8,091,434 B2 1/2012 Vaidya
 8,136,413 B2 3/2012 Sanderson
 8,187,201 B2 5/2012 Lynn
 D676,126 S * 2/2013 Hair D24/108
 8,376,954 B2 2/2013 Lange et al.
 D678,501 S * 3/2013 Champe D24/108
 8,425,428 B2 4/2013 Wood
 D728,114 S * 4/2015 Collings D24/197
 D755,968 S * 5/2016 Ahluwalia D24/133
 D763,445 S * 8/2016 Ahluwalia D24/133
 D763,446 S * 8/2016 Ahluwalia D24/133
 2001/0003144 A1 6/2001 Vilozni
 2004/0039295 A1 2/2004 Olbrich et al.
 2004/0249301 A1 12/2004 Stenqvist
 2005/0119586 A1 6/2005 Coyle et al.
 2005/0182337 A1 8/2005 Botbol et al.
 2006/0100537 A1 5/2006 Williams et al.

2007/0239058 A1 10/2007 Krasilchikov et al.
 2008/0082018 A1 4/2008 Sackner et al.
 2008/0167568 A1 7/2008 Rohde et al.
 2008/0294060 A1 11/2008 Haro et al.
 2009/0112114 A1 4/2009 Ayyagari et al.
 2009/0253994 A1 10/2009 Schuessler et al.
 2010/0081902 A1 4/2010 McKenna et al.
 2010/0204602 A1 8/2010 Addington et al.
 2011/0077545 A1 3/2011 Eichler
 2011/0125045 A1 5/2011 Scholz et al.
 2011/0301485 A1 12/2011 Fu et al.
 2012/0022388 A1 1/2012 Pittman et al.
 2012/0029376 A1 2/2012 Meng et al.
 2012/0041279 A1 2/2012 Freeman et al.
 2012/0053482 A1 3/2012 Addington et al.
 2012/0190999 A1 7/2012 Addington et al.
 2012/0302909 A1 11/2012 Mayse et al.
 2013/0018274 A1 1/2013 O'Neill
 2013/0109932 A1 5/2013 Saadat et al.
 2013/0317379 A1 11/2013 Brimer

FOREIGN PATENT DOCUMENTS

WO WO-2012038903 A2 3/2012
 WO WO-2013177300 A1 11/2013

OTHER PUBLICATIONS

PCT Patent Application No. PCT/US2013/042260 International Preliminary Report on Patentability issued Nov. 25, 2014.
 PCT Patent Application No. PCT/US2013/042260 International Search Report and Written Opinion dated Aug. 15, 2013.
 Statement regarding possible dispute about inventorship; submitted to U.S. Appl. No. 13/900,253; Mar. 27, 2014.

* cited by examiner

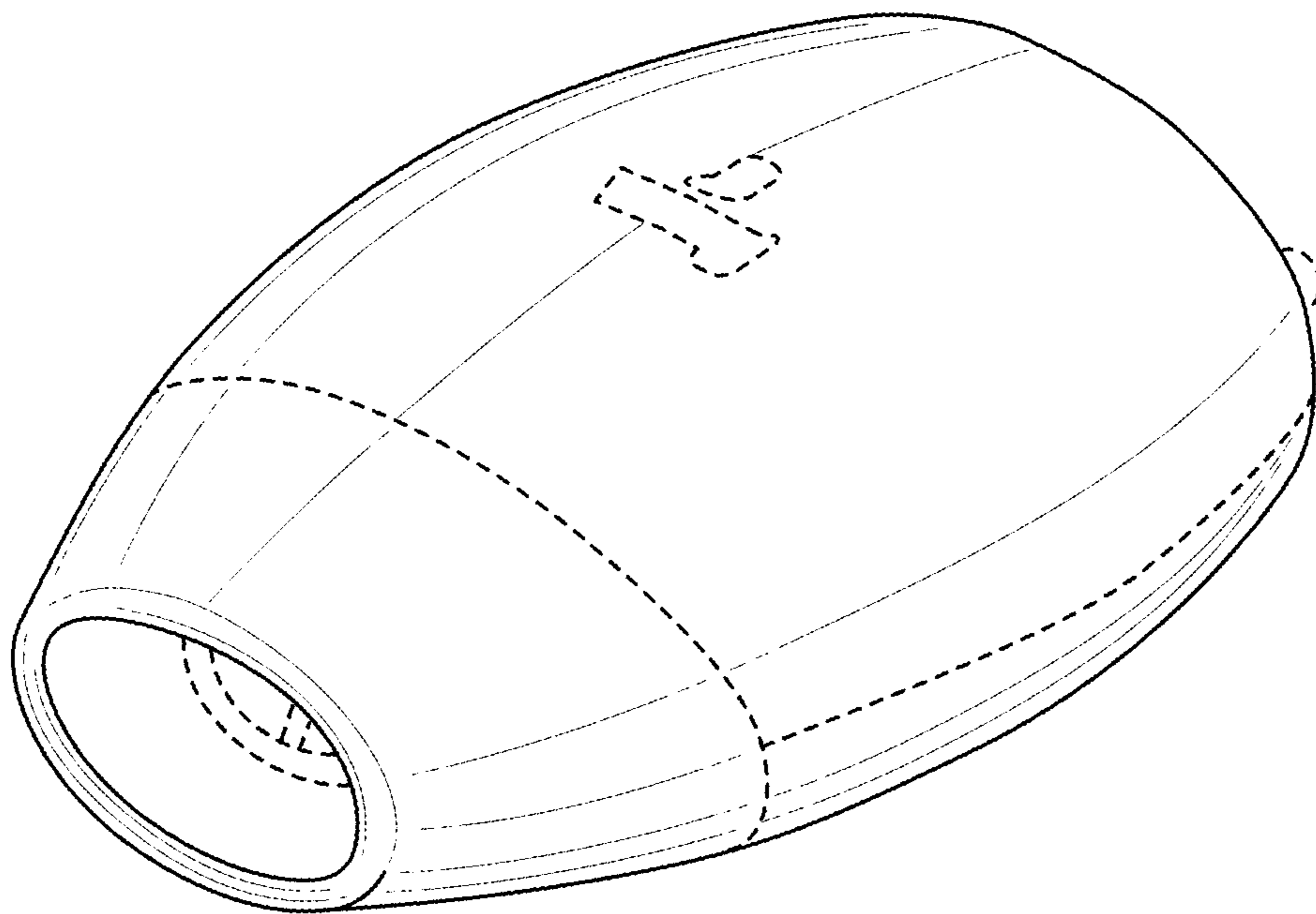


FIG. 1

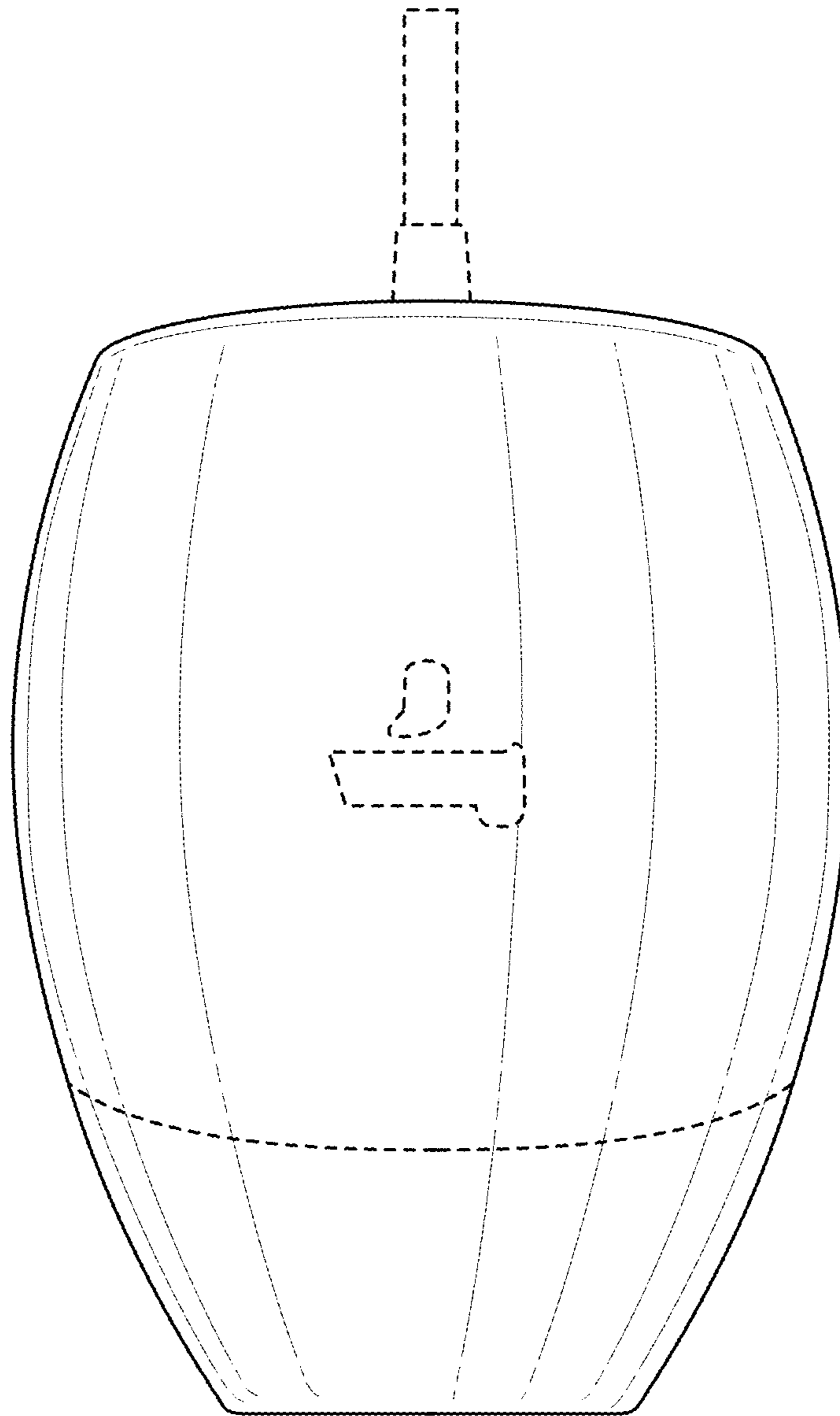


FIG. 2

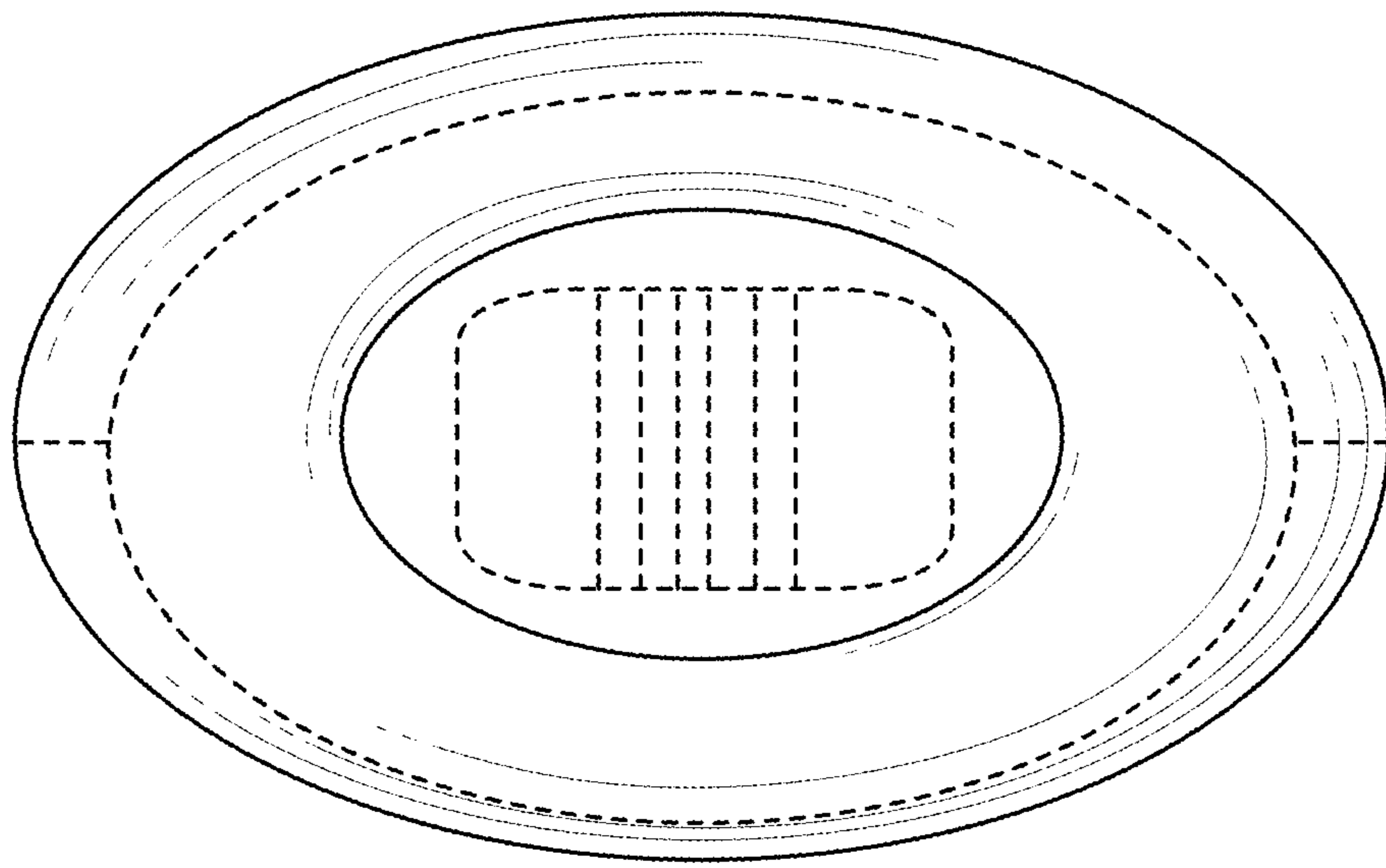


FIG. 3

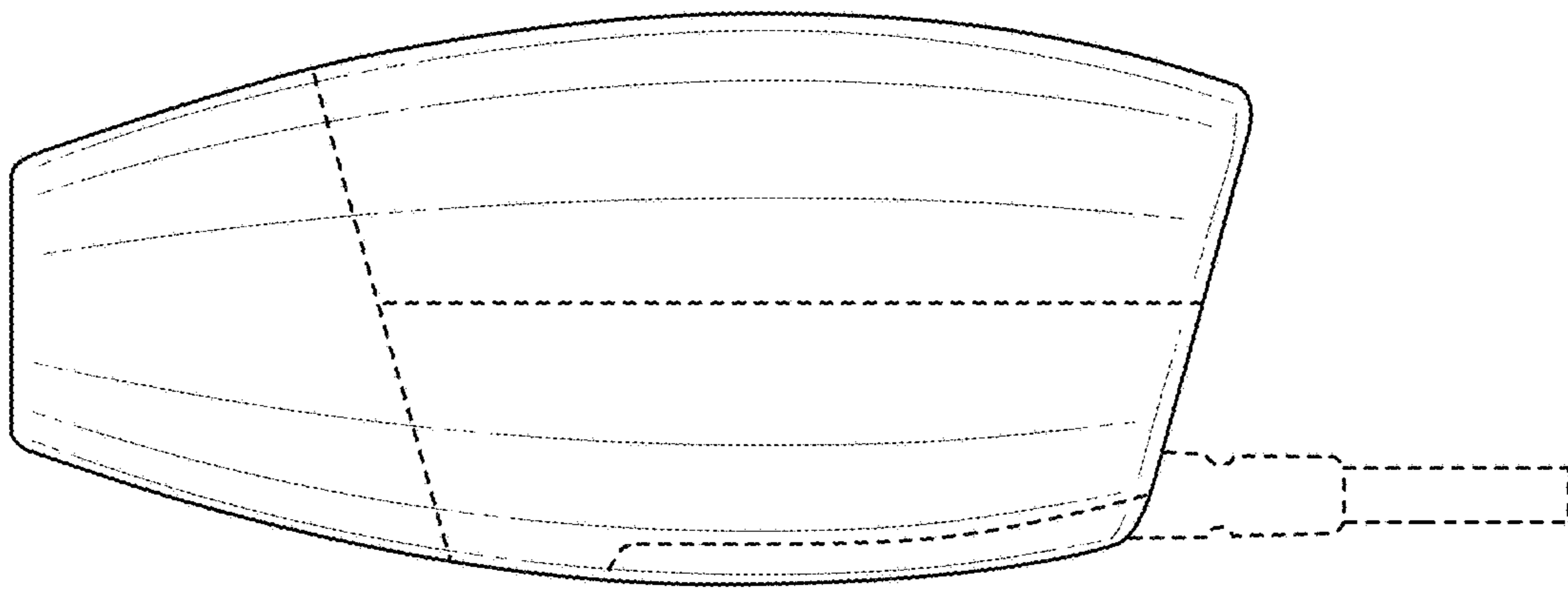


FIG. 4

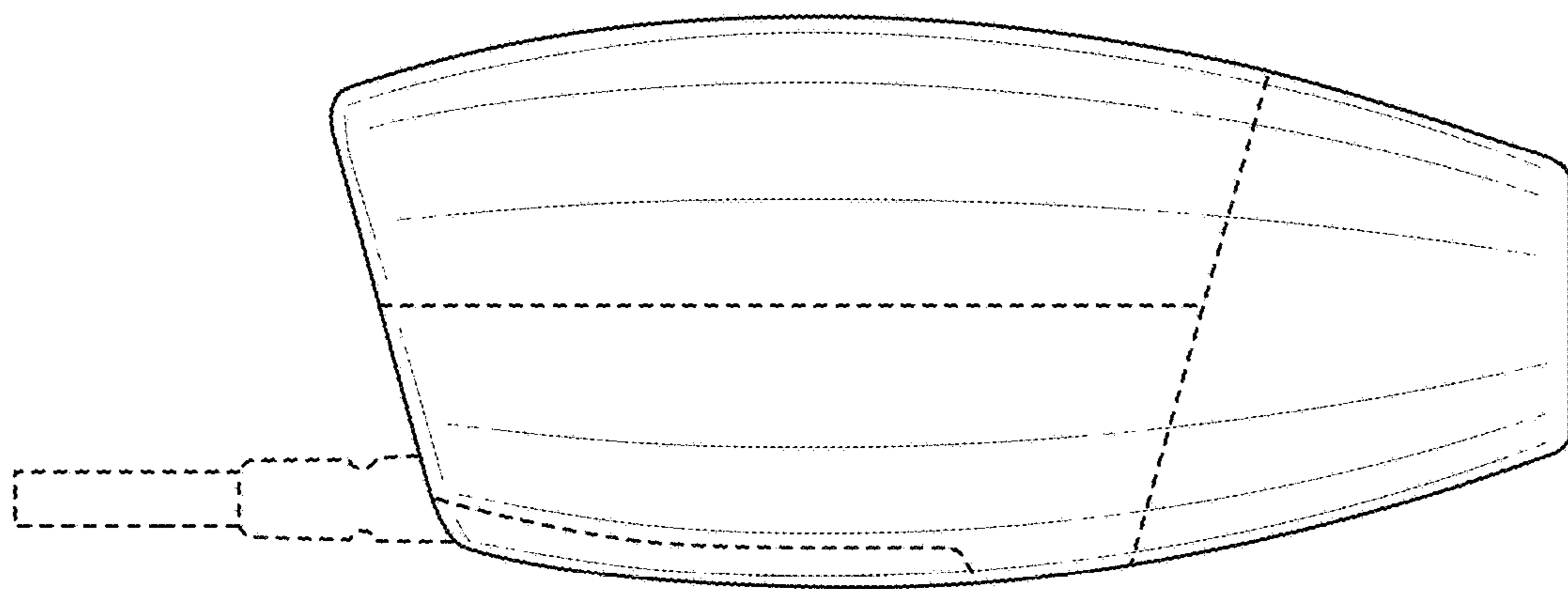


FIG. 5

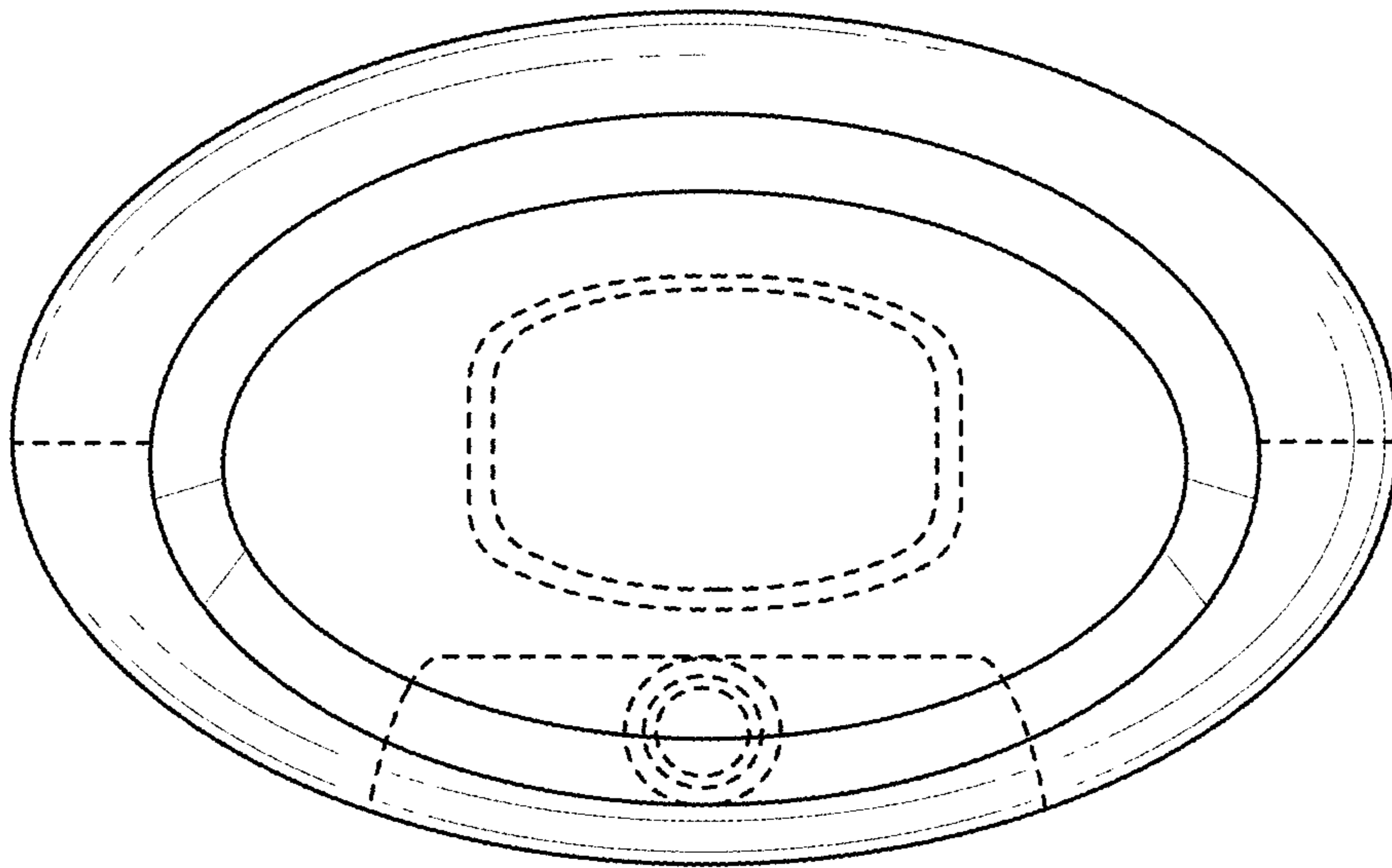


FIG. 6

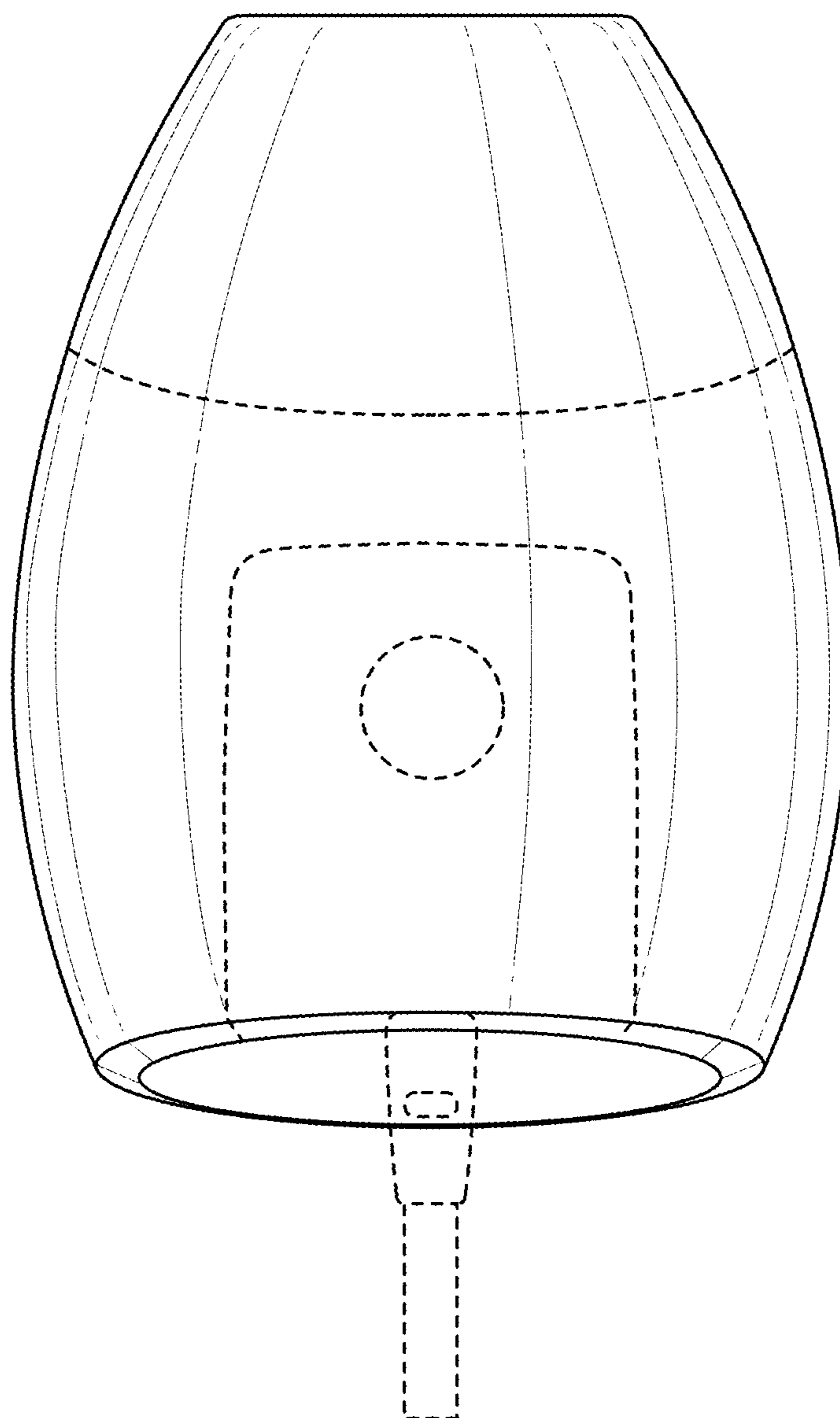


FIG. 7