



US00D820443S

(12) **United States Design Patent**
Reinberg

(10) **Patent No.:** **US D820,443 S**
(45) **Date of Patent:** **** Jun. 12, 2018**

- (54) **GAS DELIVERY HOSE SUPPORT**
- (71) Applicant: **Richard D. Reinberg**, Beachwood, OH (US)
- (72) Inventor: **Richard D. Reinberg**, Beachwood, OH (US)
- (**) Term: **15 Years**
- (21) Appl. No.: **29/632,847**
- (22) Filed: **Jan. 10, 2018**
- (51) **LOC (11) Cl.** **24-02**
- (52) **U.S. Cl.**
USPC **D24/128**
- (58) **Field of Classification Search**
USPC D24/127-131; D8/373, 396; 211/85.13, 211/72
CPC A61M 25/00; A61M 39/00; A61M 27/00; A61M 25/0043; A61M 25/0067; A61M 25/0097; A61F 2/958
See application file for complete search history.

- D463,550 S * 9/2002 Sherman D24/115
- D607,312 S * 1/2010 Silverman D8/373
- D637,894 S * 5/2011 Maurer D8/373
- D789,778 S * 6/2017 White, Sr. D26/138
- D810,286 S * 2/2018 Conatser D24/128

* cited by examiner

Primary Examiner — David Muller

(74) *Attorney, Agent, or Firm* — Ulmer & Berne LLP

(57) **CLAIM**

We claim the ornamental design for a gas delivery hose support, as shown and described.

DESCRIPTION

FIG. 1 is a perspective view of gas delivery hose support in situ;
 FIG. 2 is a perspective view of the gas delivery hose support;
 FIG. 3 is a left side view thereof;
 FIG. 4 is a right side view thereof;
 FIG. 5 is a back view thereof;
 FIG. 6 is a front view thereof;
 FIG. 7 is a top view thereof;
 FIG. 8 is a bottom view thereof;
 FIG. 9 is a perspective view of the gas delivery hose support in flexion; and,
 FIG. 10 is a right side view thereof.

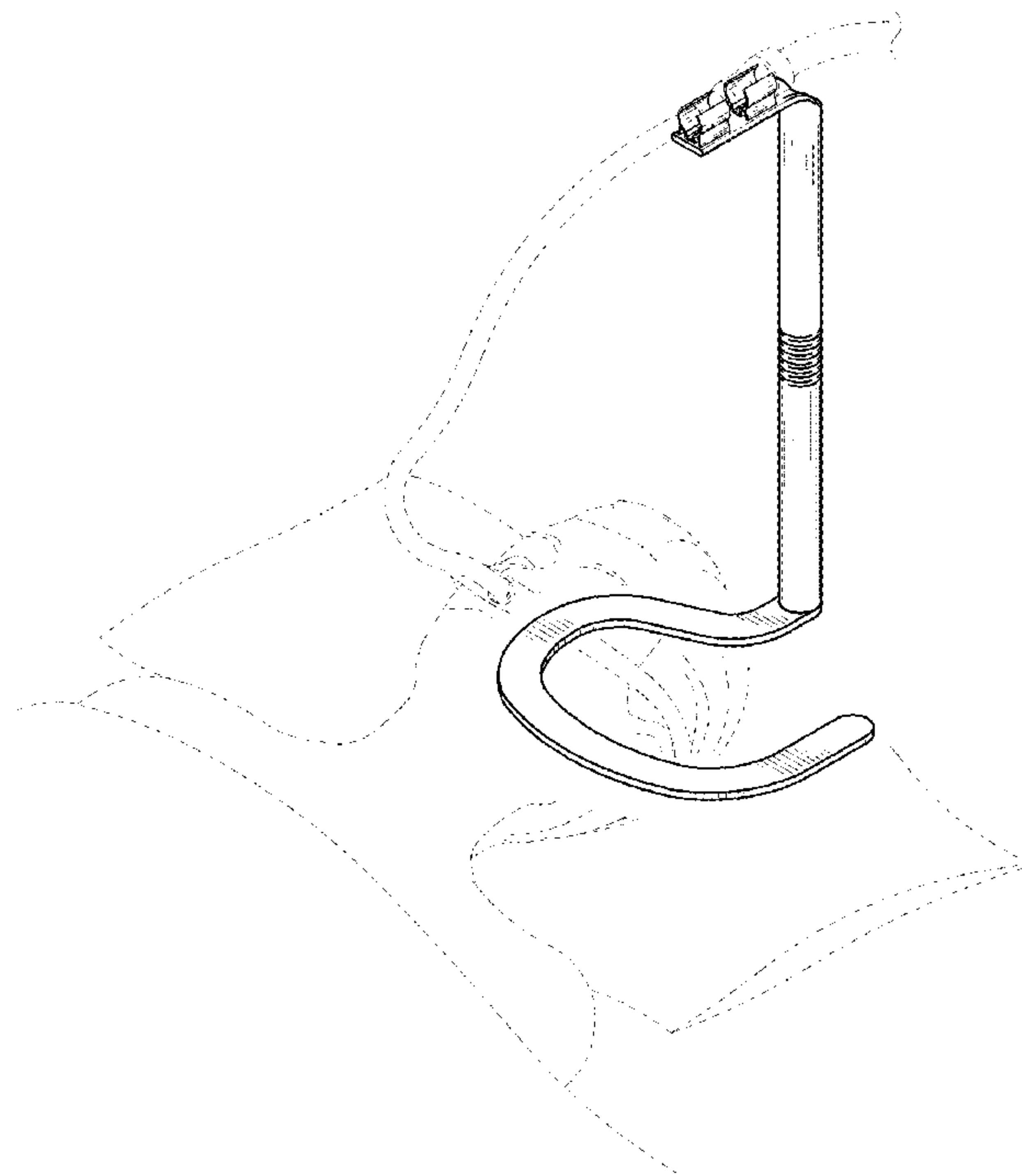
The broken line showing of parts of the drawings is included for the purpose of illustrating use and environment and forms no part of the claimed design.

1 Claim, 5 Drawing Sheets

(56) **References Cited**

U.S. PATENT DOCUMENTS

- D260,432 S * 8/1981 Kadar D24/113
- D273,993 S * 5/1984 Schulte D13/133
- D305,402 S * 1/1990 Novak D6/550
- D319,383 S * 8/1991 Kihlstrom D8/349
- D324,490 S * 3/1992 Ricketts D8/373
- D339,195 S * 9/1993 Nash 248/229.13
- D373,823 S * 9/1996 Baldwin D24/128
- D424,414 S * 5/2000 Ziaylek D8/373



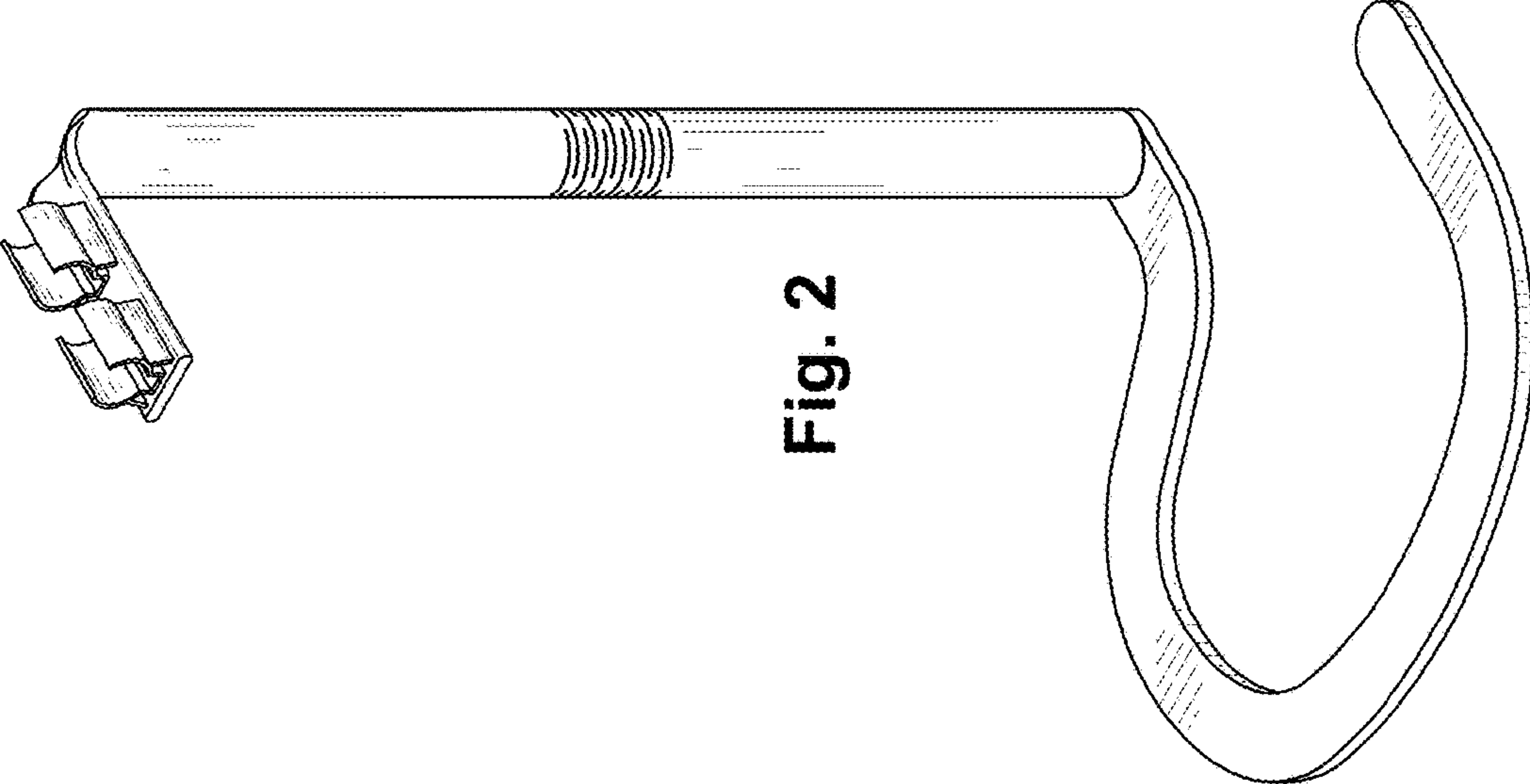


Fig. 2

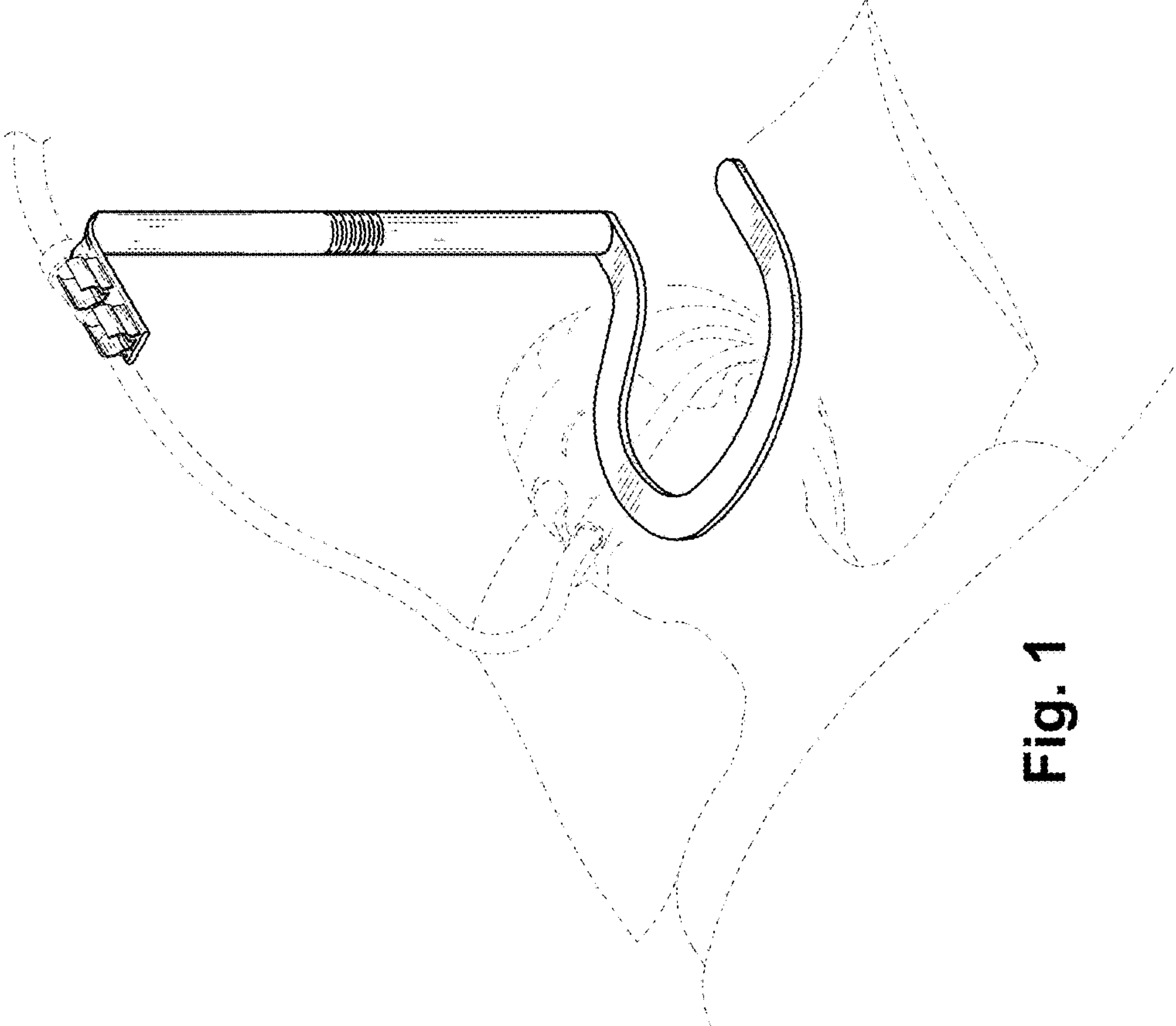


Fig. 1

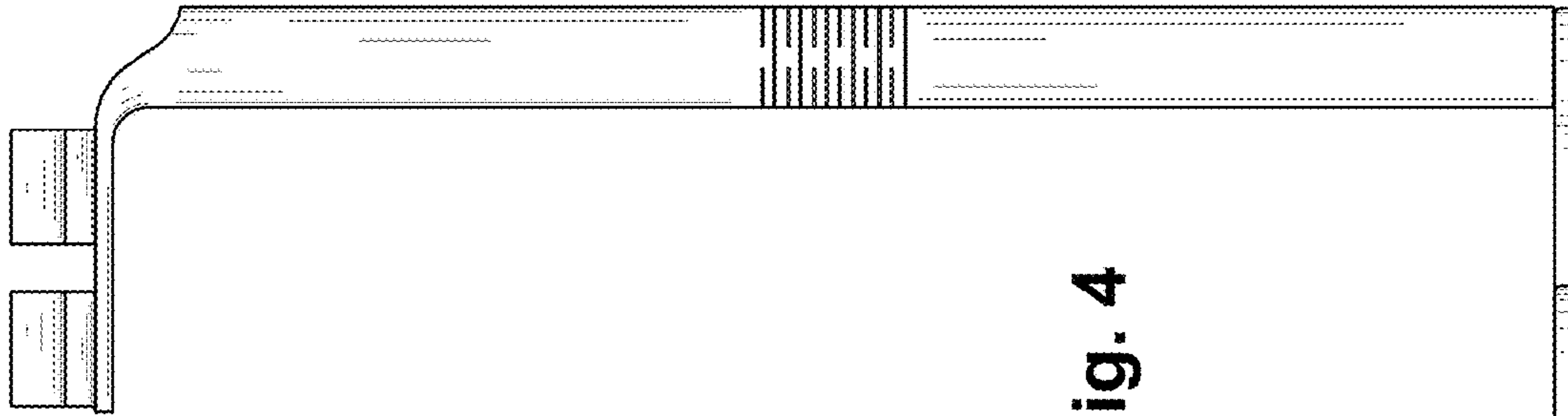


Fig. 4

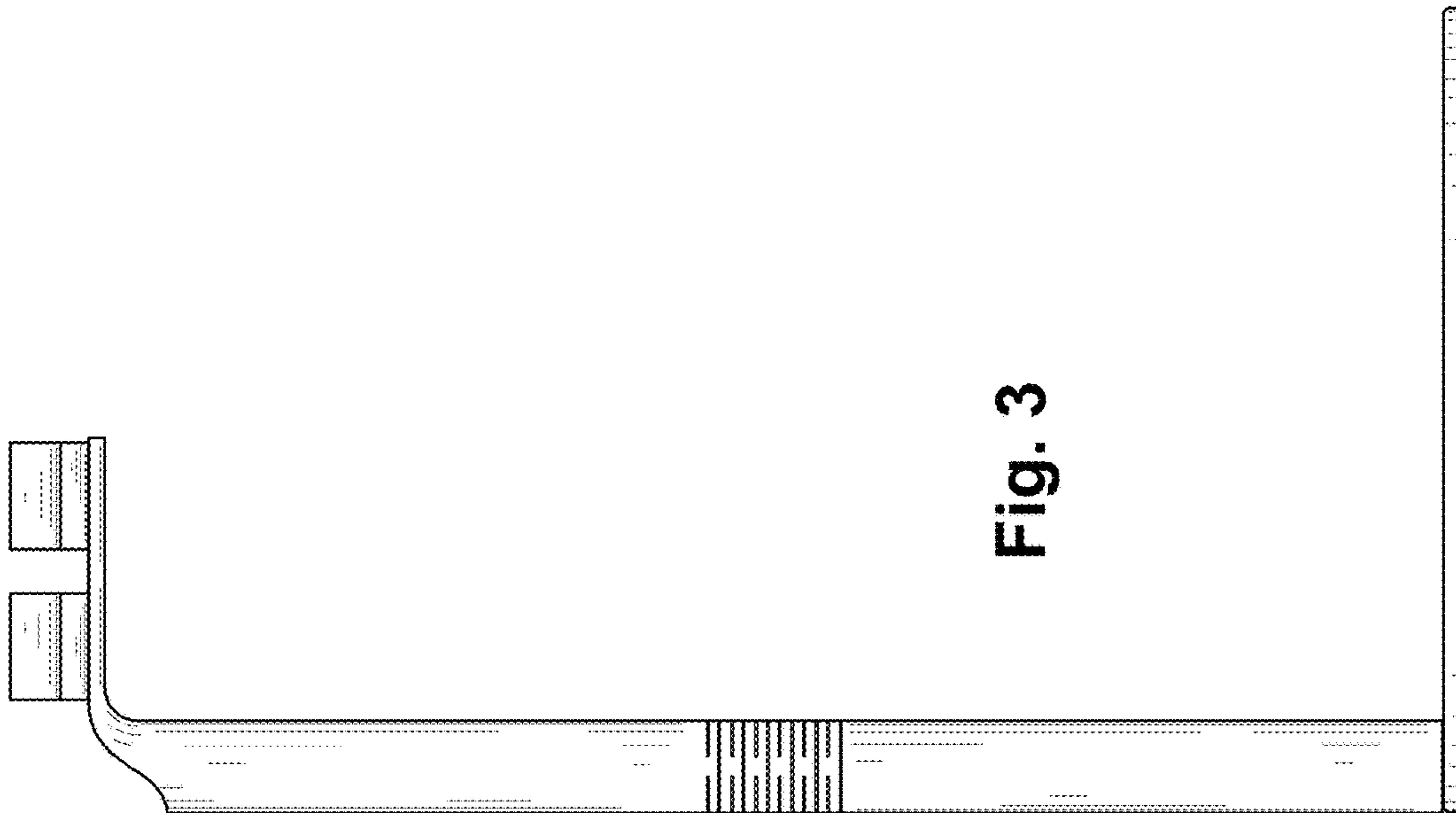


Fig. 3

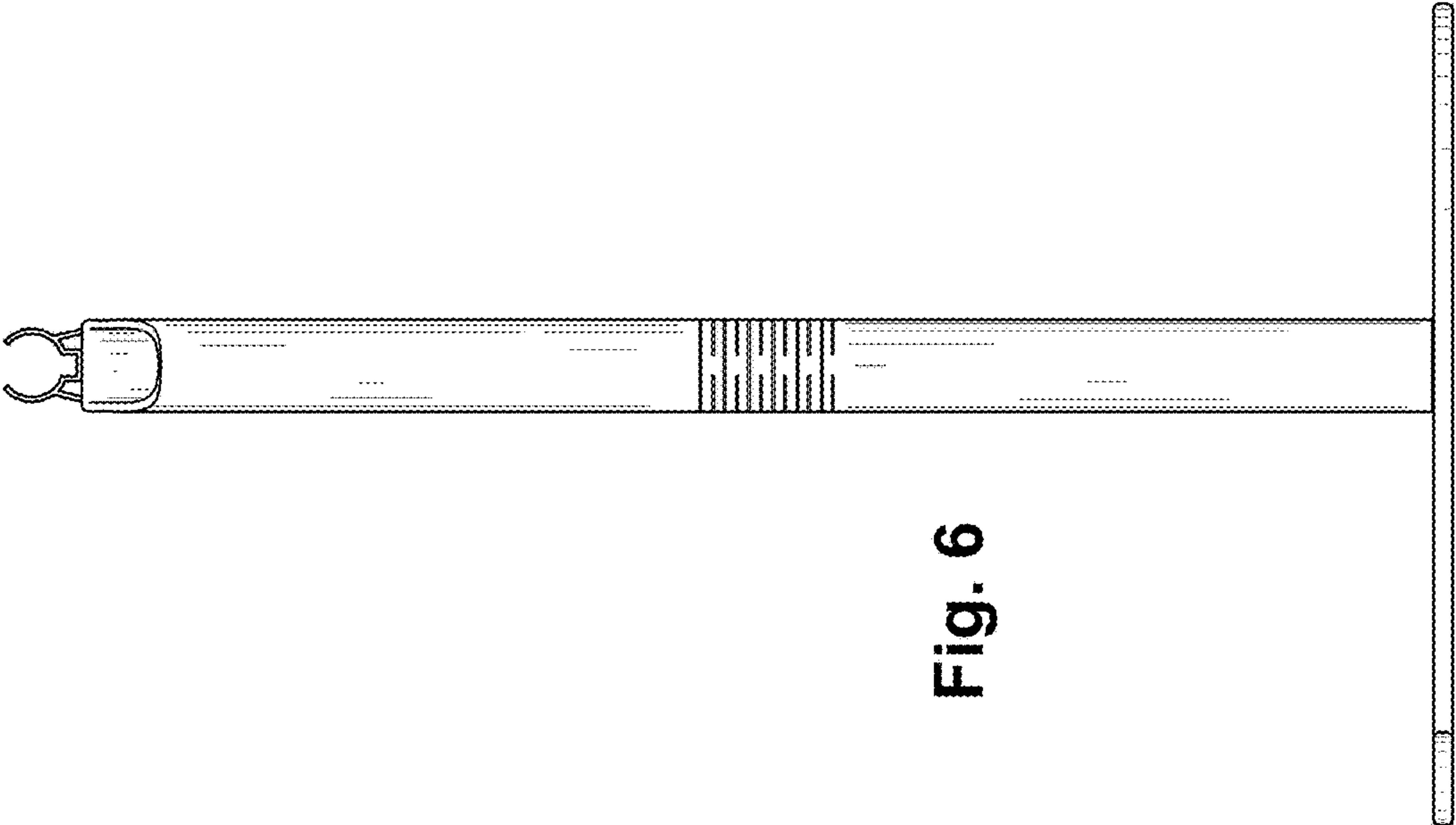


Fig. 6

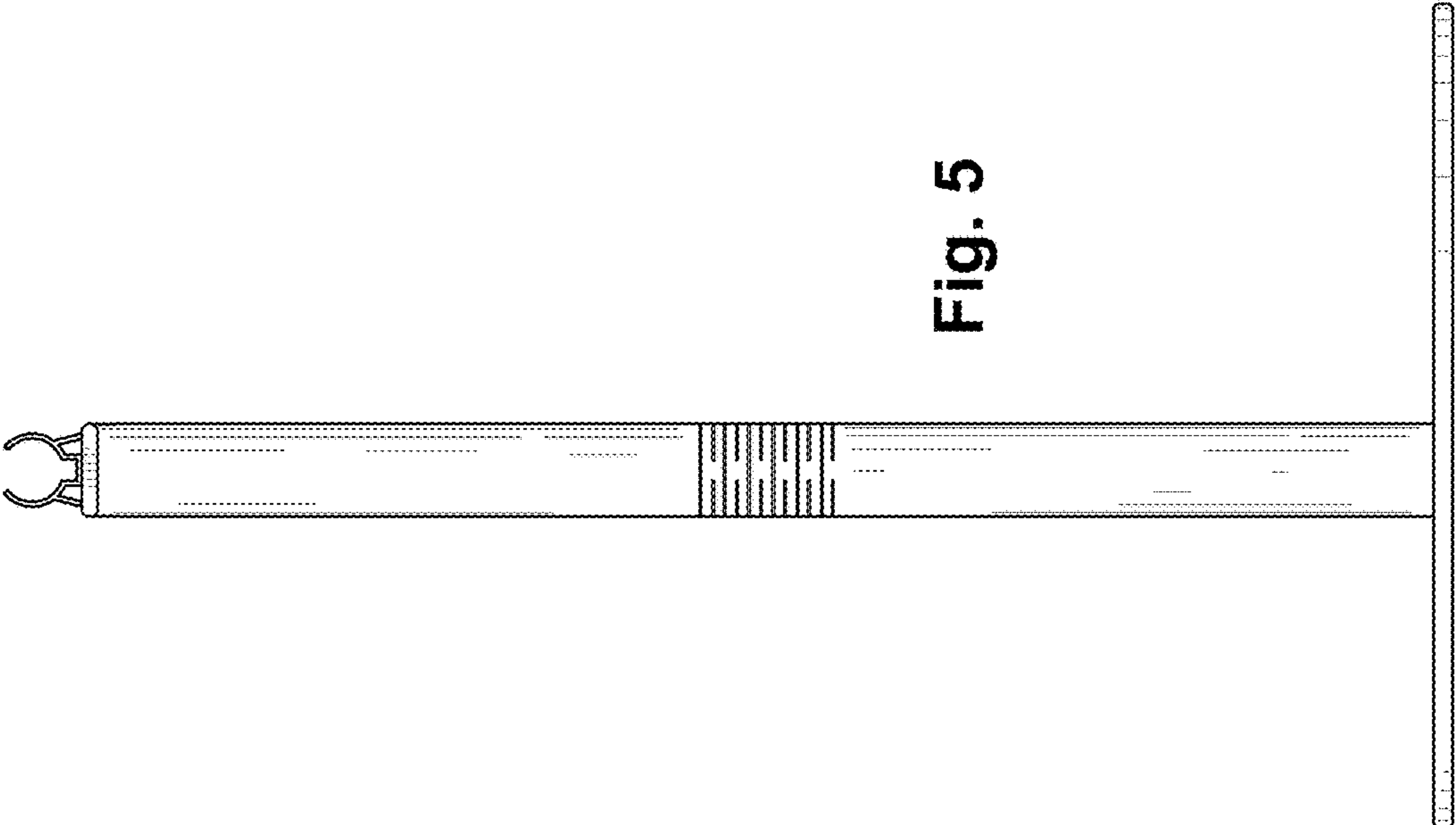


Fig. 5

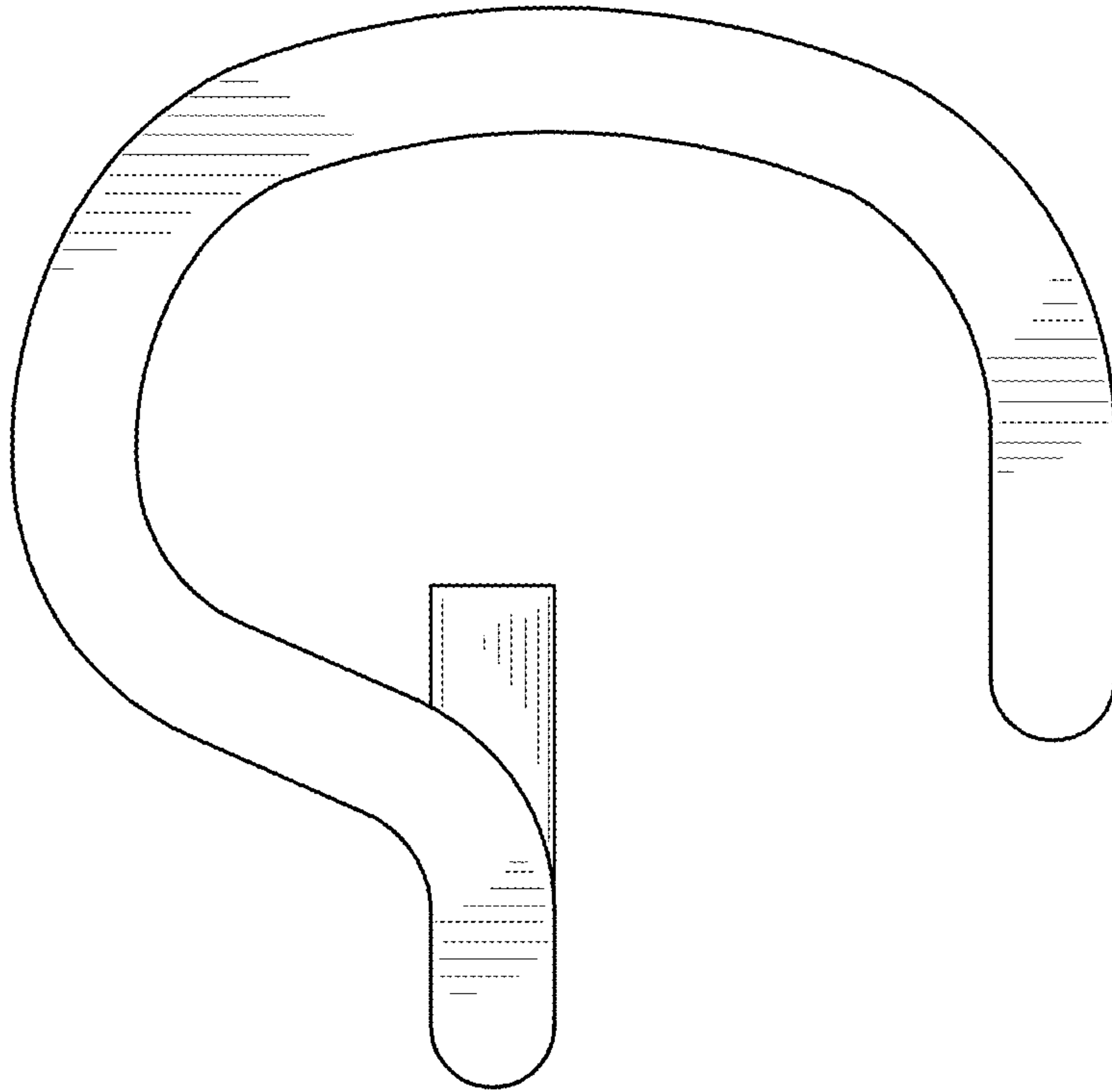


Fig. 7

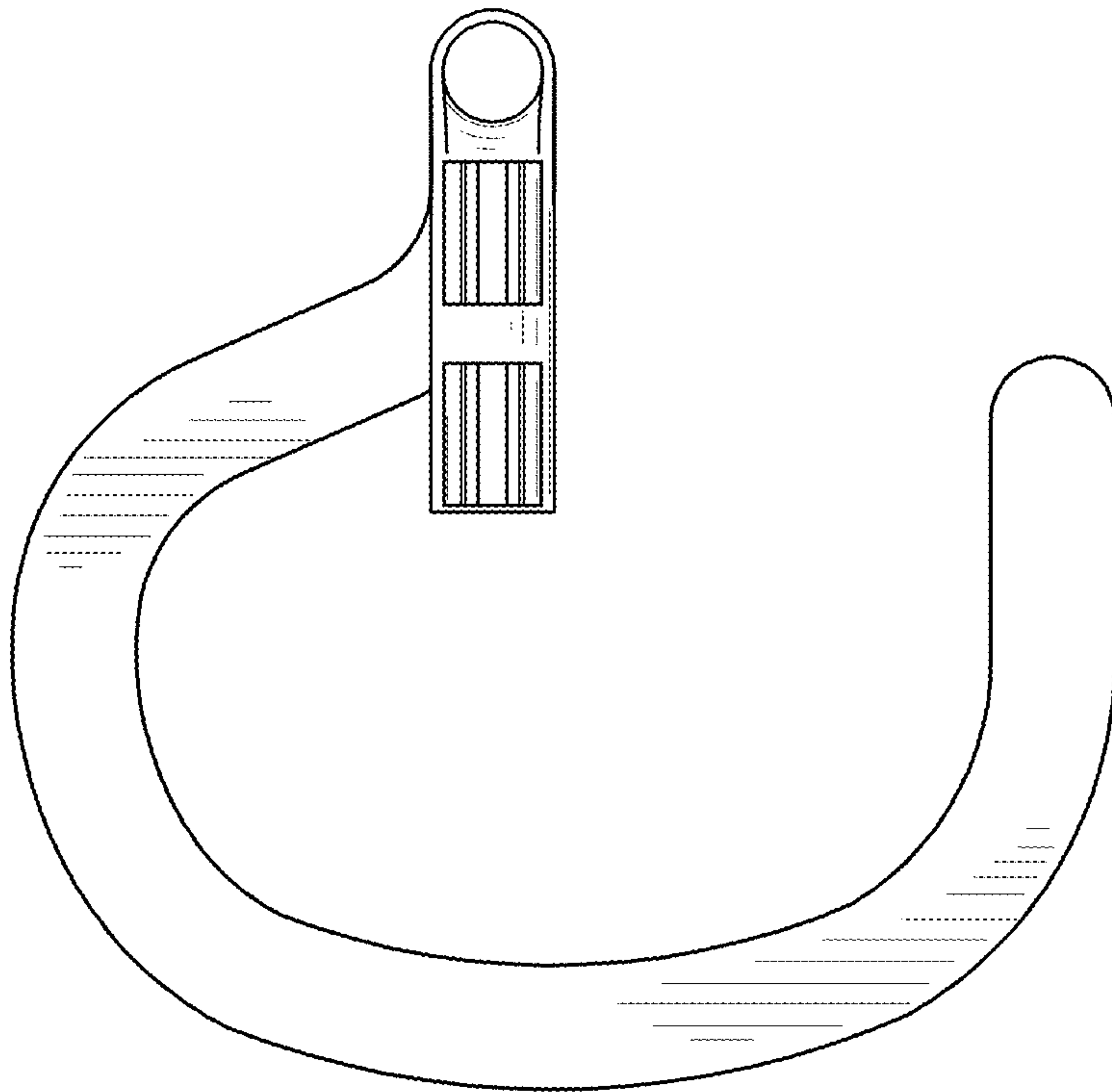


Fig. 8

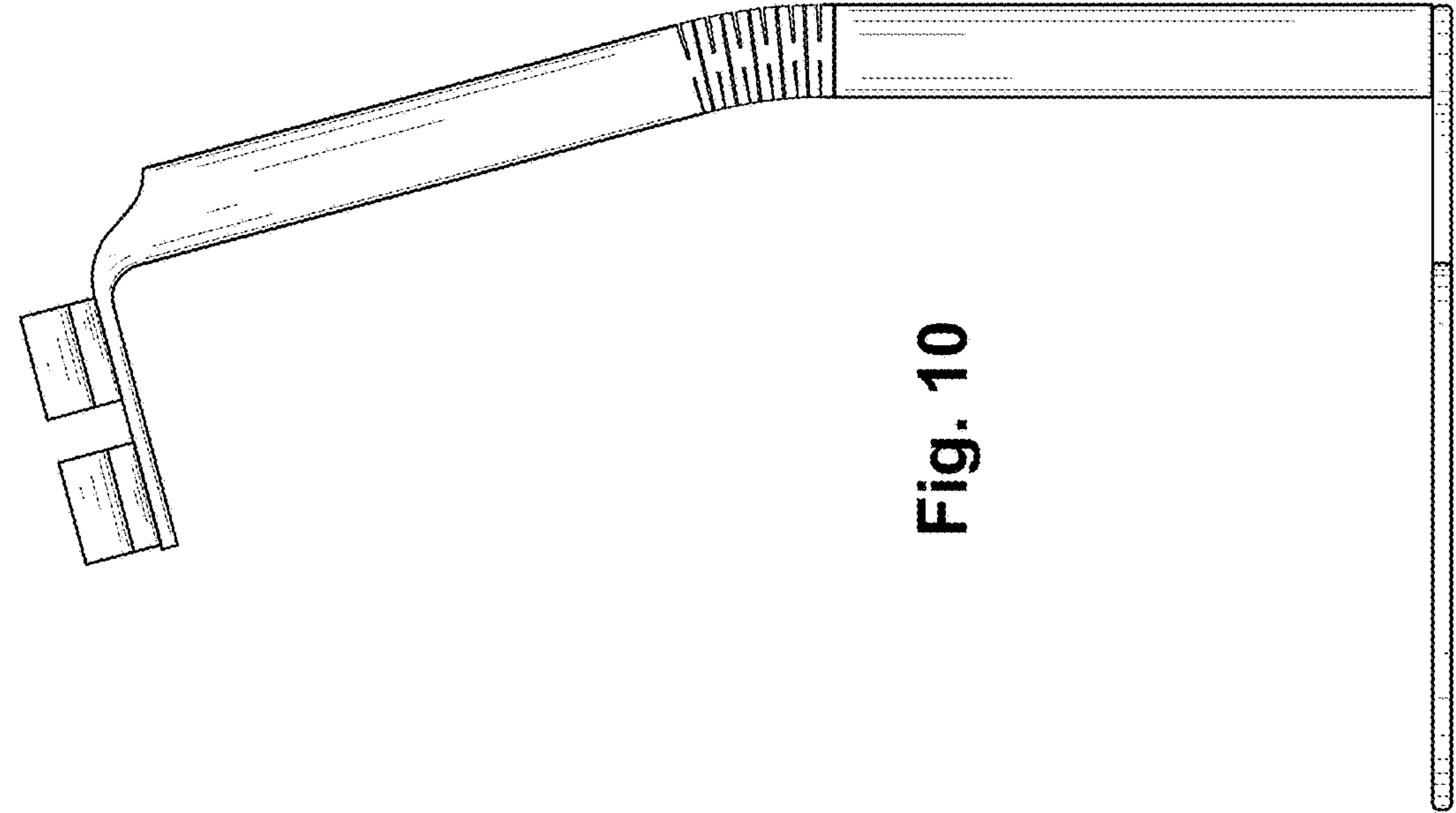


Fig. 10

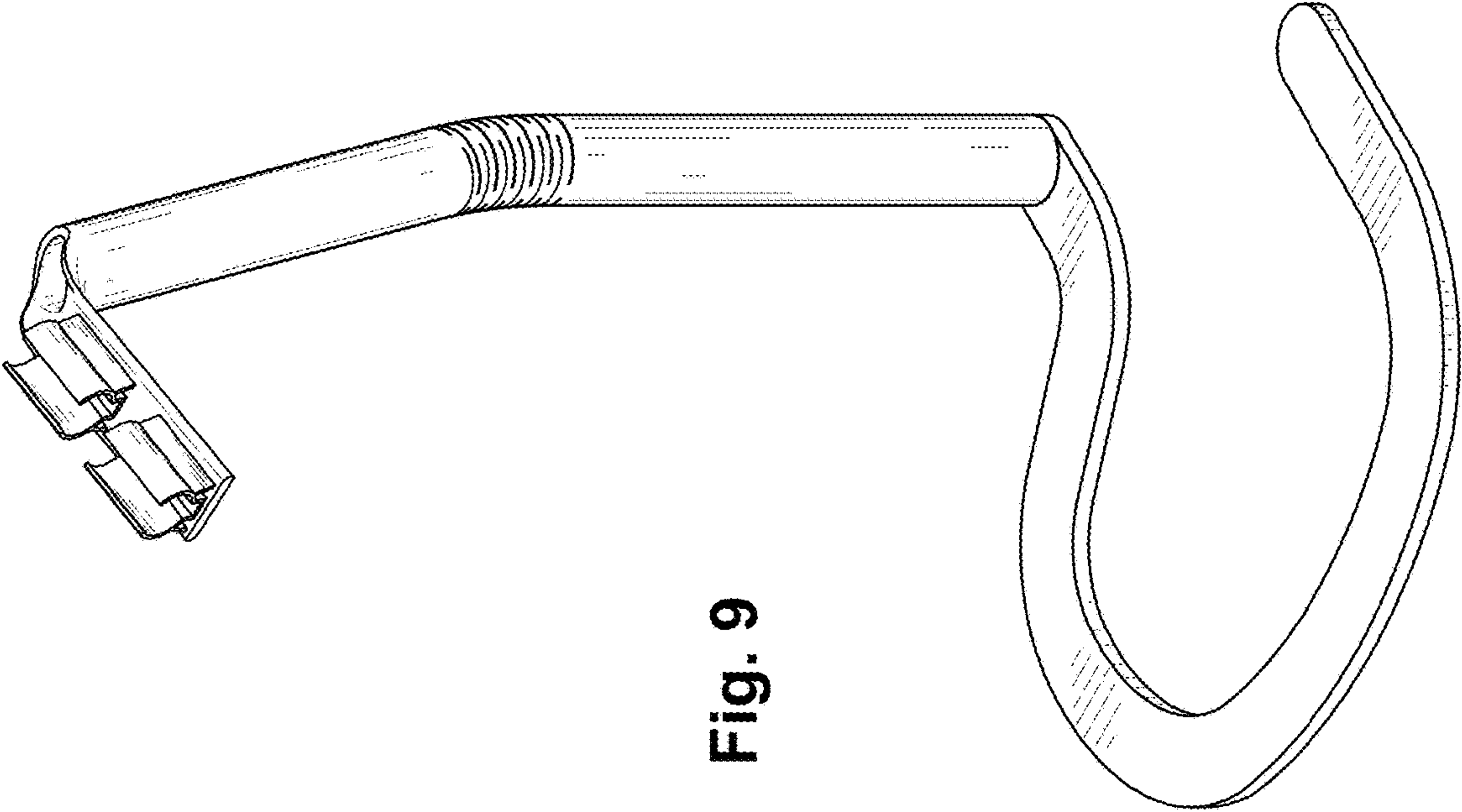


Fig. 9