



US00D820442S

(12) **United States Design Patent**
Conatser et al.

(10) **Patent No.:** **US D820,442 S**
(45) **Date of Patent:** **** Jun. 12, 2018**

(54) **SUCTION CANISTER MOUNTING BRACKET**

(71) Applicant: **Gyrus ACMI, Inc.**, Southborough, MA (US)

(72) Inventors: **Thomas Lee Conatser**, Bells, TN (US);
Joseph Green, Bartlett, TN (US)

(73) Assignee: **Gyrus ACMI, Inc.**, Southborough, MA (US)

(**) Term: **15 Years**

(21) Appl. No.: **29/626,718**

(22) Filed: **Nov. 20, 2017**

Related U.S. Application Data

(62) Division of application No. 29/562,687, filed on Apr. 28, 2016, now Pat. No. Des. 810,286.

(51) **LOC (11) Cl.** **24-02**

(52) **U.S. Cl.**
USPC **D24/128**

(58) **Field of Classification Search**
USPC D24/127-131, 110-110.6, 112-114, 133, D24/186; 606/181, 185; 604/264, 604/523-528, 272, 187, 158, 604/164.01-164.11, 181, 184, 227; 600/101, 139, 143; 128/200.24, 207.14, 128/207.15
CPC A61M 25/00; A61M 39/00; A61M 27/00; A61M 25/0043; A61M 25/0067; A61M 25/0097; A61F 2/958
See application file for complete search history.

(56) **References Cited**

U.S. PATENT DOCUMENTS

D260,432 S * 8/1981 Kadar D24/113
D303,713 S 9/1989 Kelm

D373,823 S 9/1996 Yang
5,975,470 A * 11/1999 Casey A61M 5/1782
248/121
6,277,109 B1 * 8/2001 Harper A61M 1/0021
604/540
D463,550 S 9/2002 Sherman
D528,659 S 9/2006 Cherfas
D622,377 S 8/2010 Jackson
D627,063 S 11/2010 West
D628,693 S * 12/2010 Thuenker D24/133
D630,731 S * 1/2011 Schmutzer D24/128
D683,017 S 5/2013 Primeau
D694,883 S 12/2013 Lamierowski
8,662,458 B2 * 3/2014 Henault A61M 5/1415
248/121
D715,790 S * 10/2014 Conomos D14/253
D716,443 S * 10/2014 Marguerie D24/128

(Continued)

Primary Examiner — David Muller

(74) *Attorney, Agent, or Firm* — Gerald P. Kazanjian; Yi Chen

(57) **CLAIM**

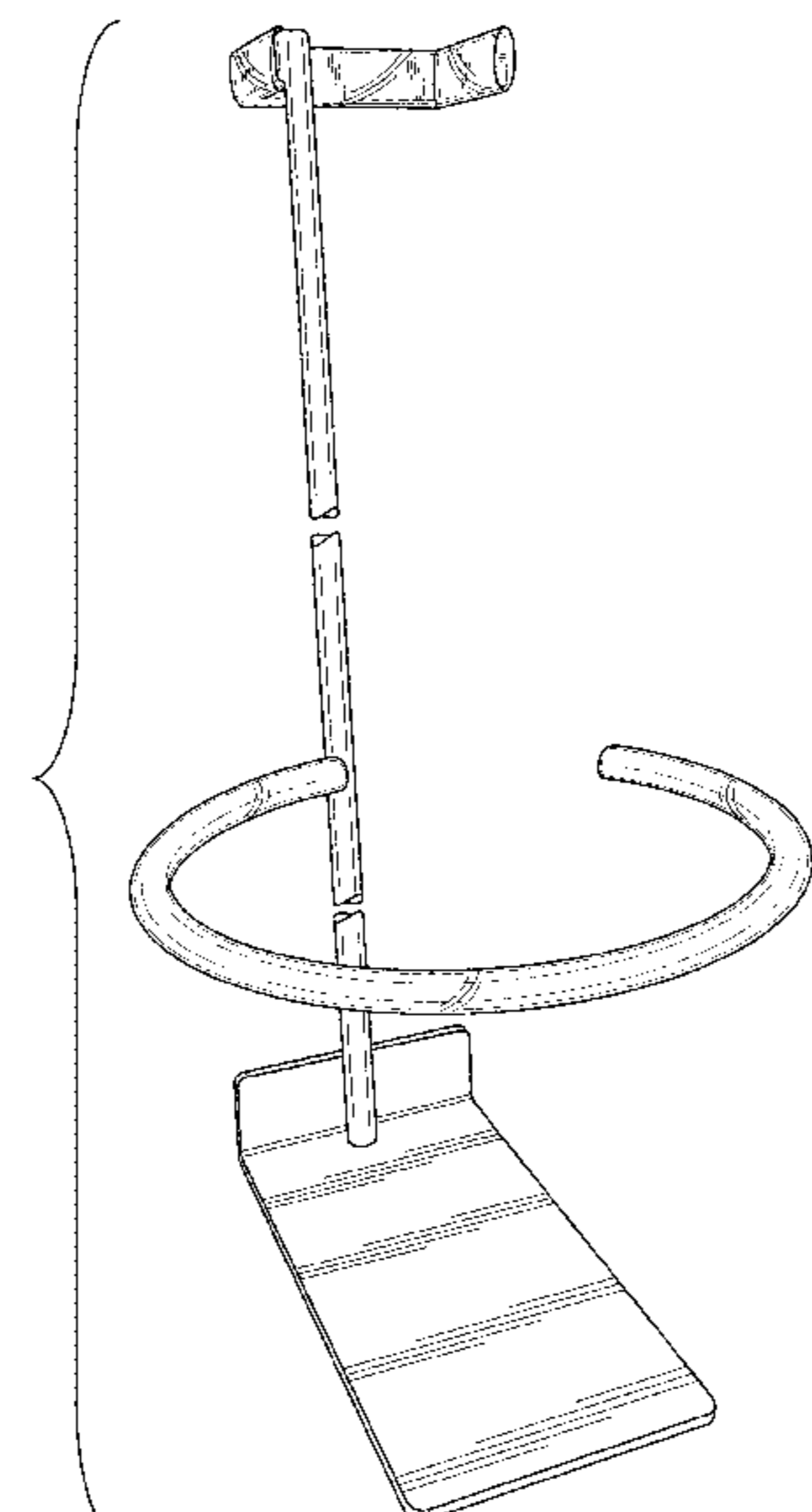
The ornamental design for a suction canister mounting bracket, substantially as shown and described.

DESCRIPTION

FIG. 1 is a front perspective view of the suction canister mounting bracket, showing my new design; FIG. 2 is a front elevation view thereof; FIG. 3 is a rear elevation view thereof; FIG. 4 is a left side elevation view thereof; FIG. 5 is a right side elevation view thereof; FIG. 6 is a top plan view thereof; and, FIG. 7 is a bottom plan view thereof.

The broken lines are included for the purpose of illustrating environmental structure and form no part of the claimed design, and any portion between the break lines forms no part of the claimed design.

1 Claim, 7 Drawing Sheets



(56)

References Cited

U.S. PATENT DOCUMENTS

D734,541	S	7/2015	Petrucelli	
D746,474	S	12/2015	Koros	
D750,773	S	3/2016	Eaton	
D762,300	S	7/2016	Breitweiser	
9,642,778	B1 *	5/2017	Yazbeck	A61J 15/0061
9,662,094	B2 *	5/2017	Meloff	A61B 10/007
D806,240	S *	12/2017	Smith	D24/128
D808,005	S *	1/2018	Peretz	D24/108
D810,286	S *	2/2018	Conatser	D24/128

* cited by examiner

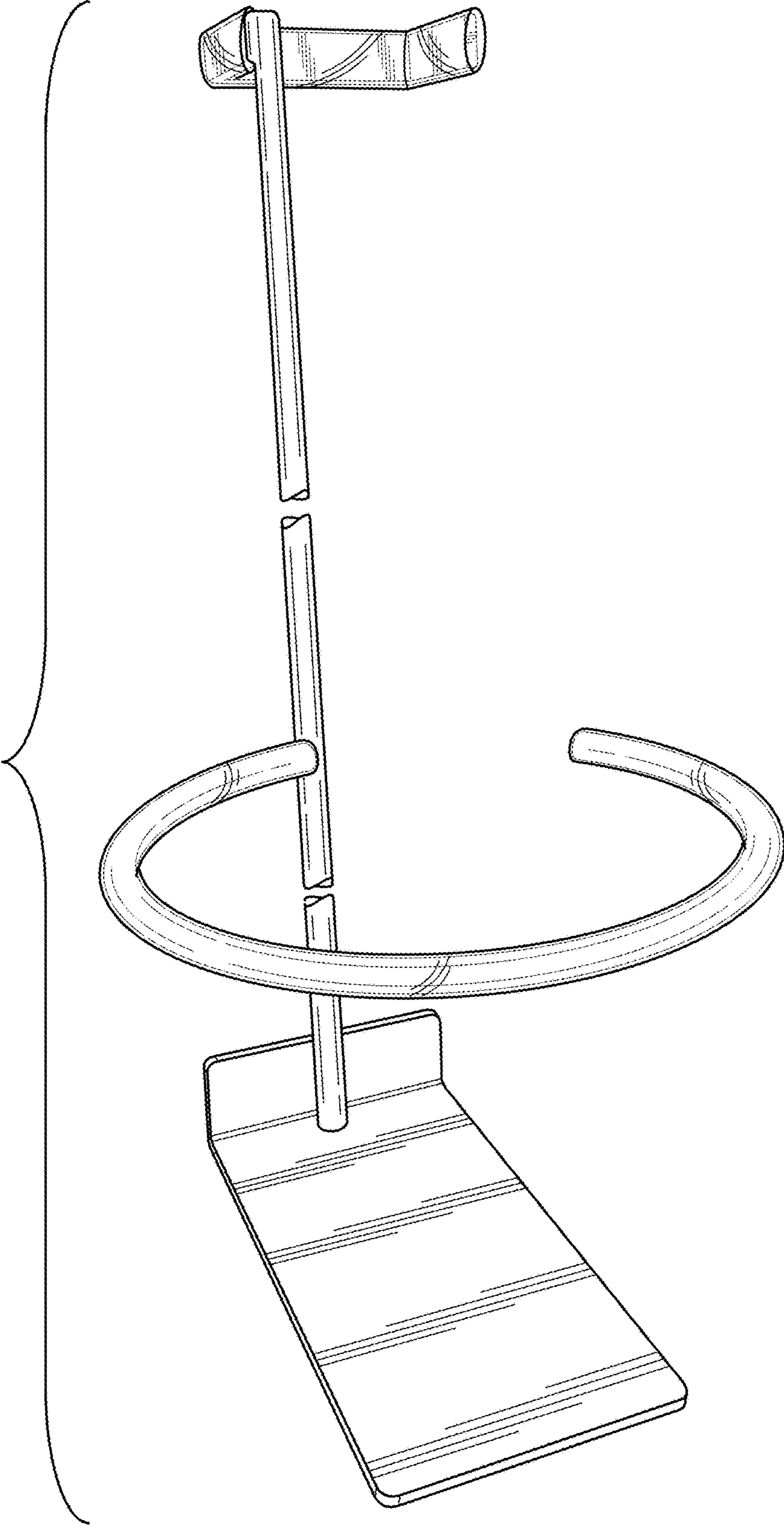


FIG. 1

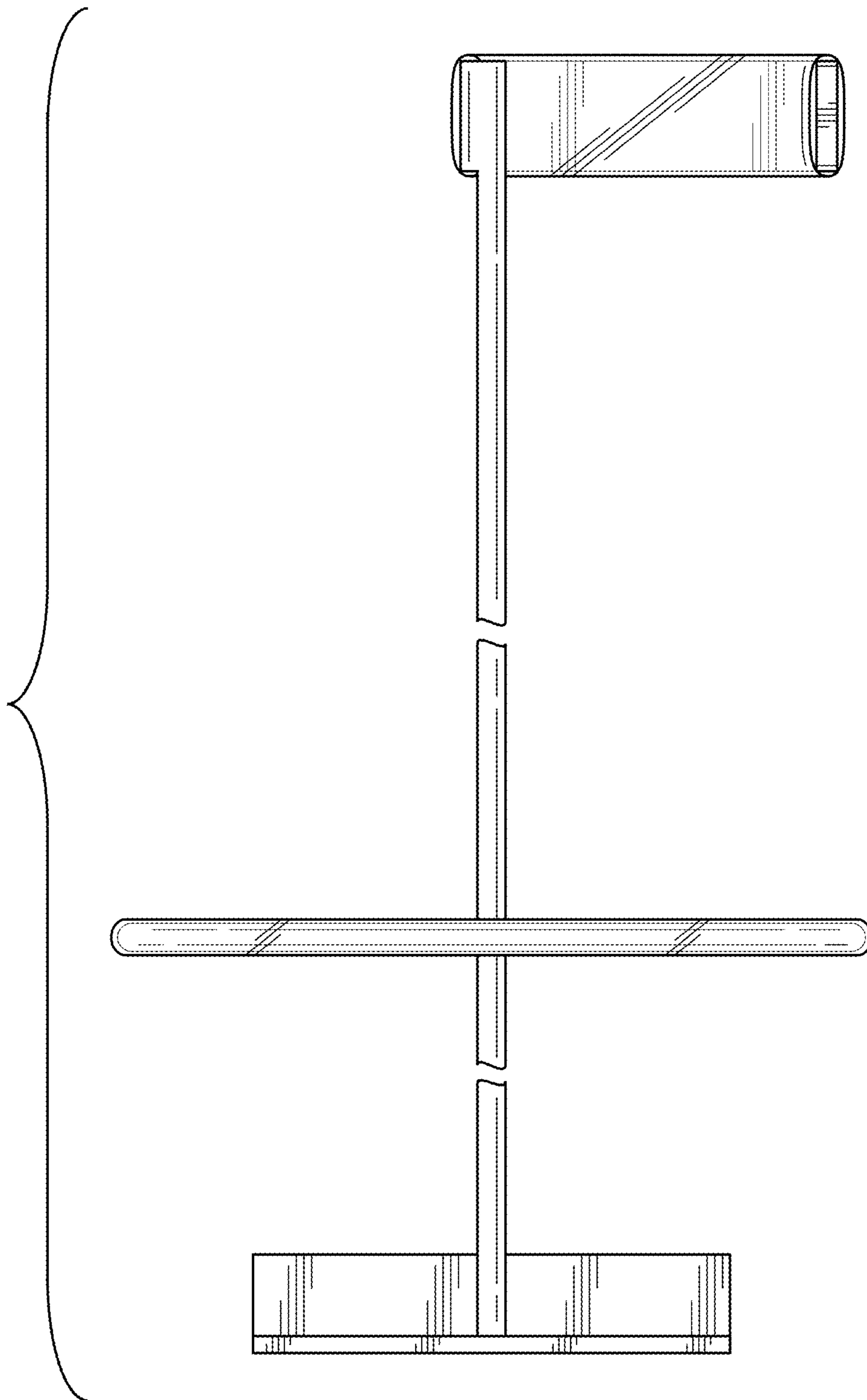


FIG. 2

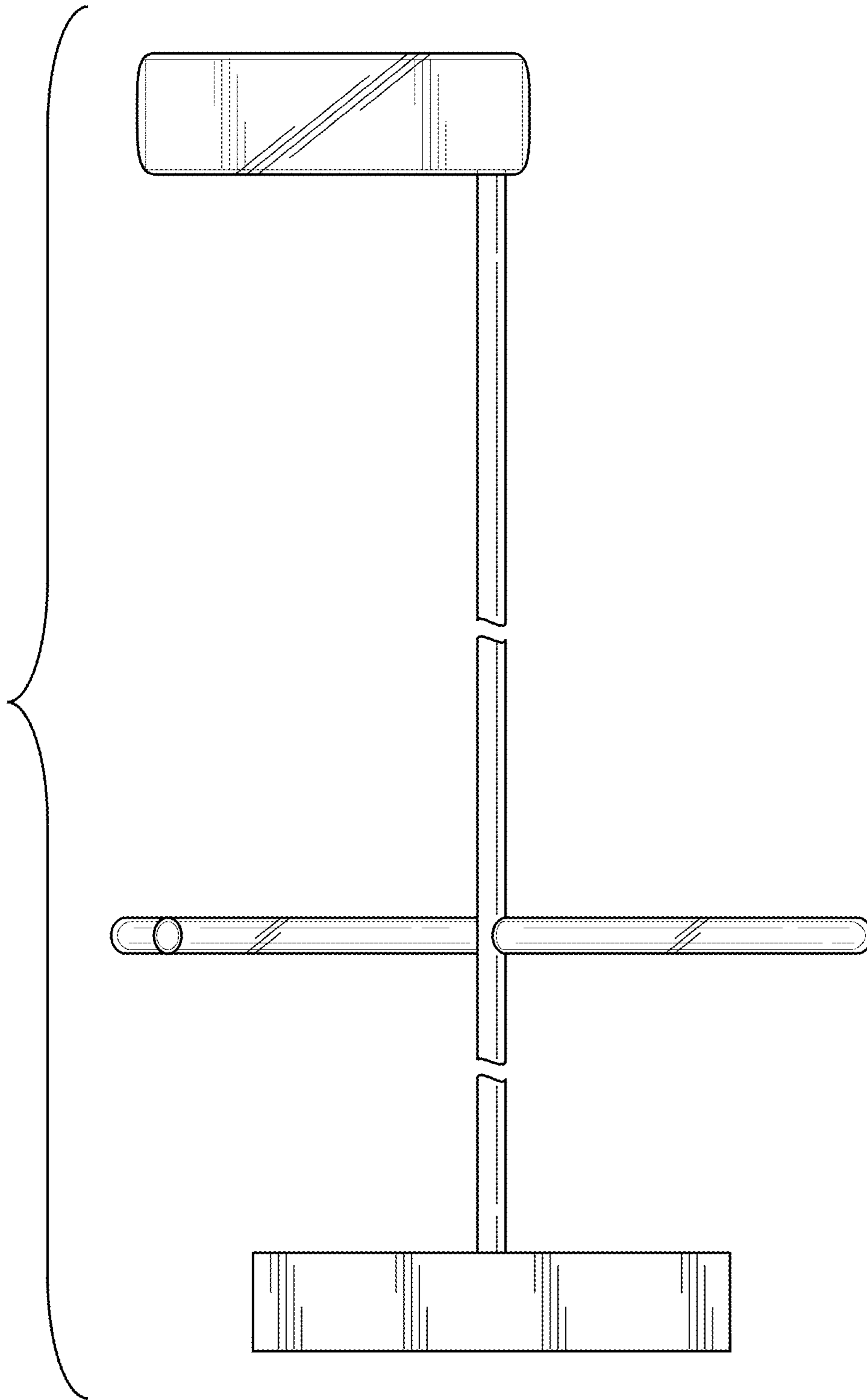


FIG. 3

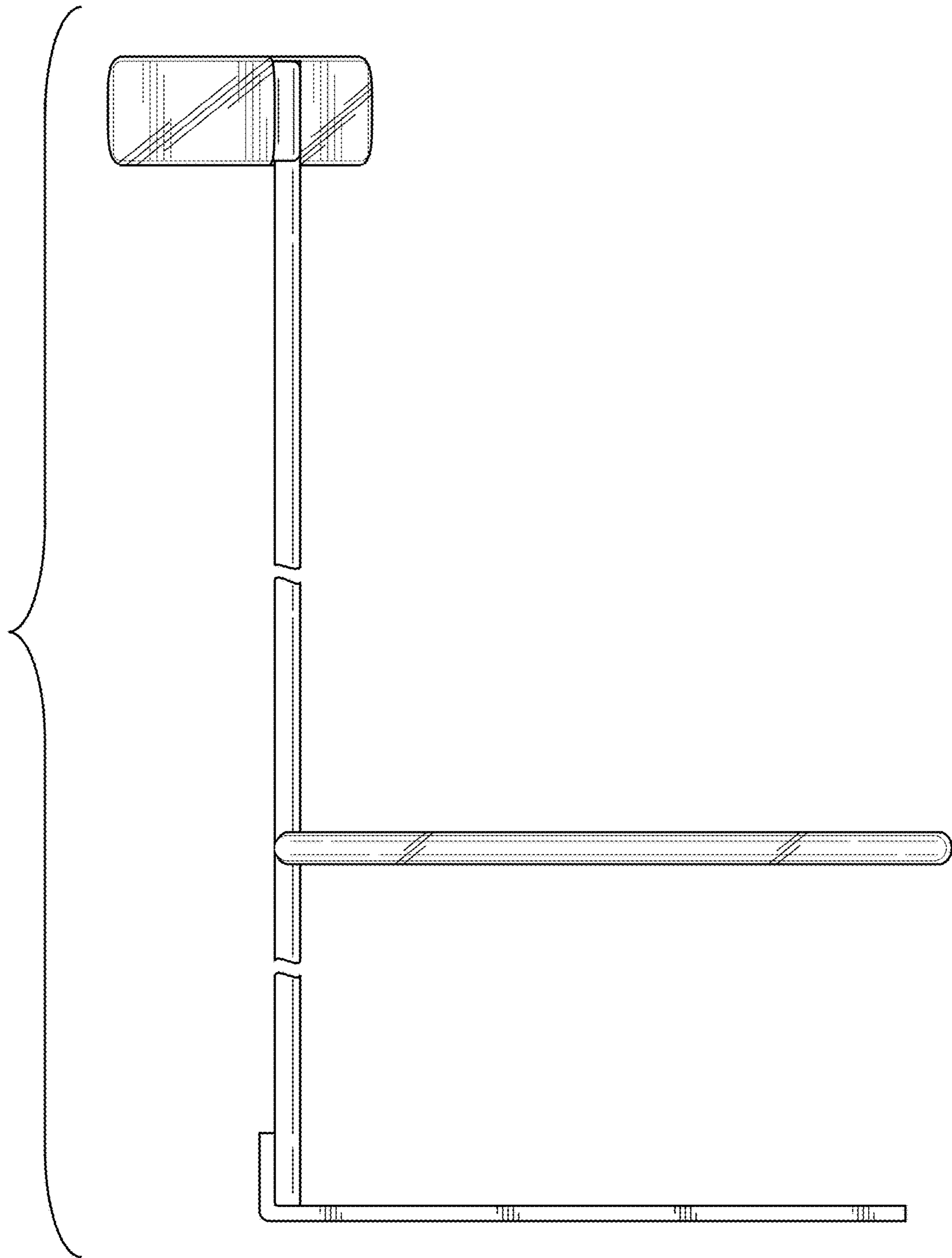


FIG. 4

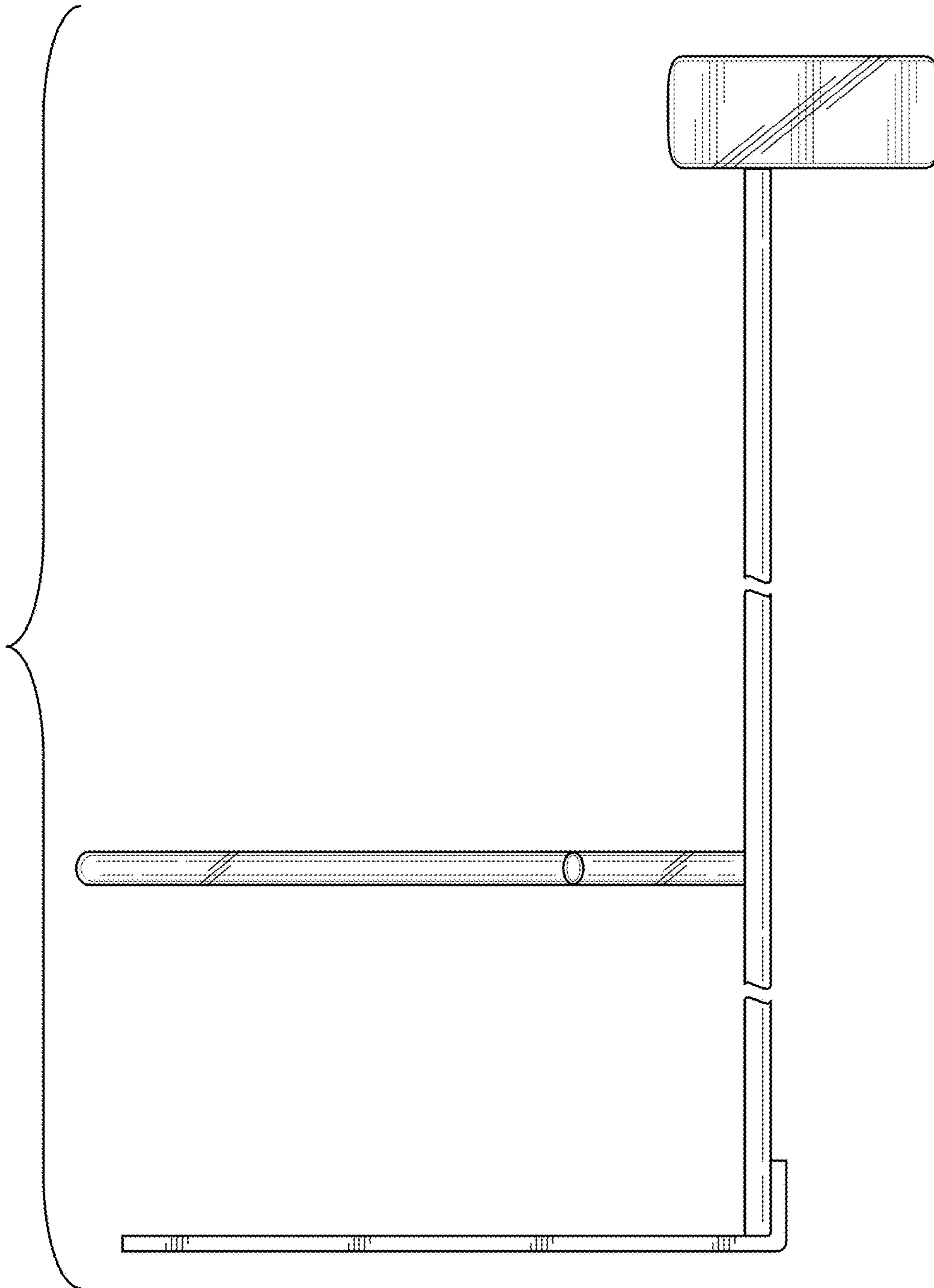


FIG. 5

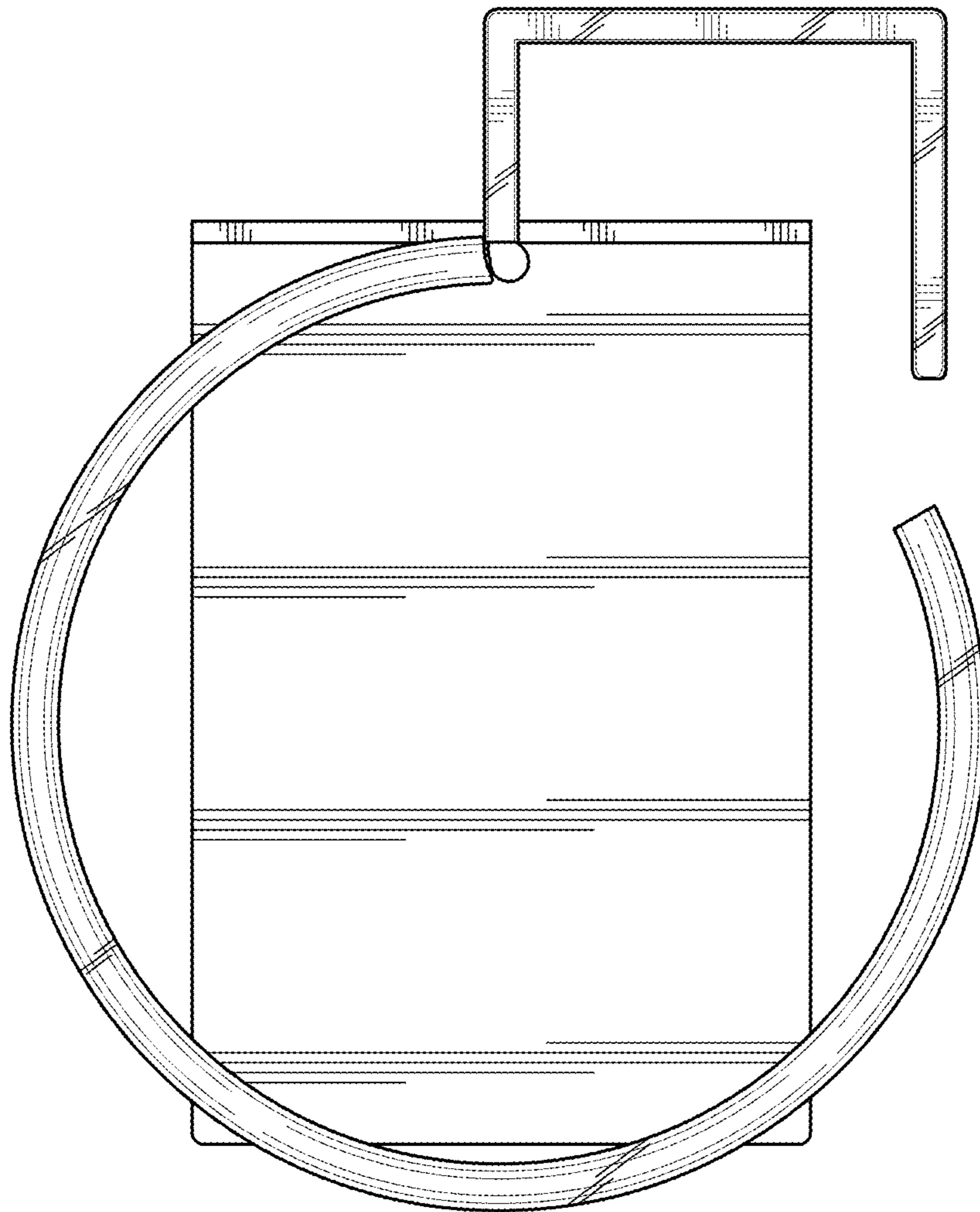


FIG. 6

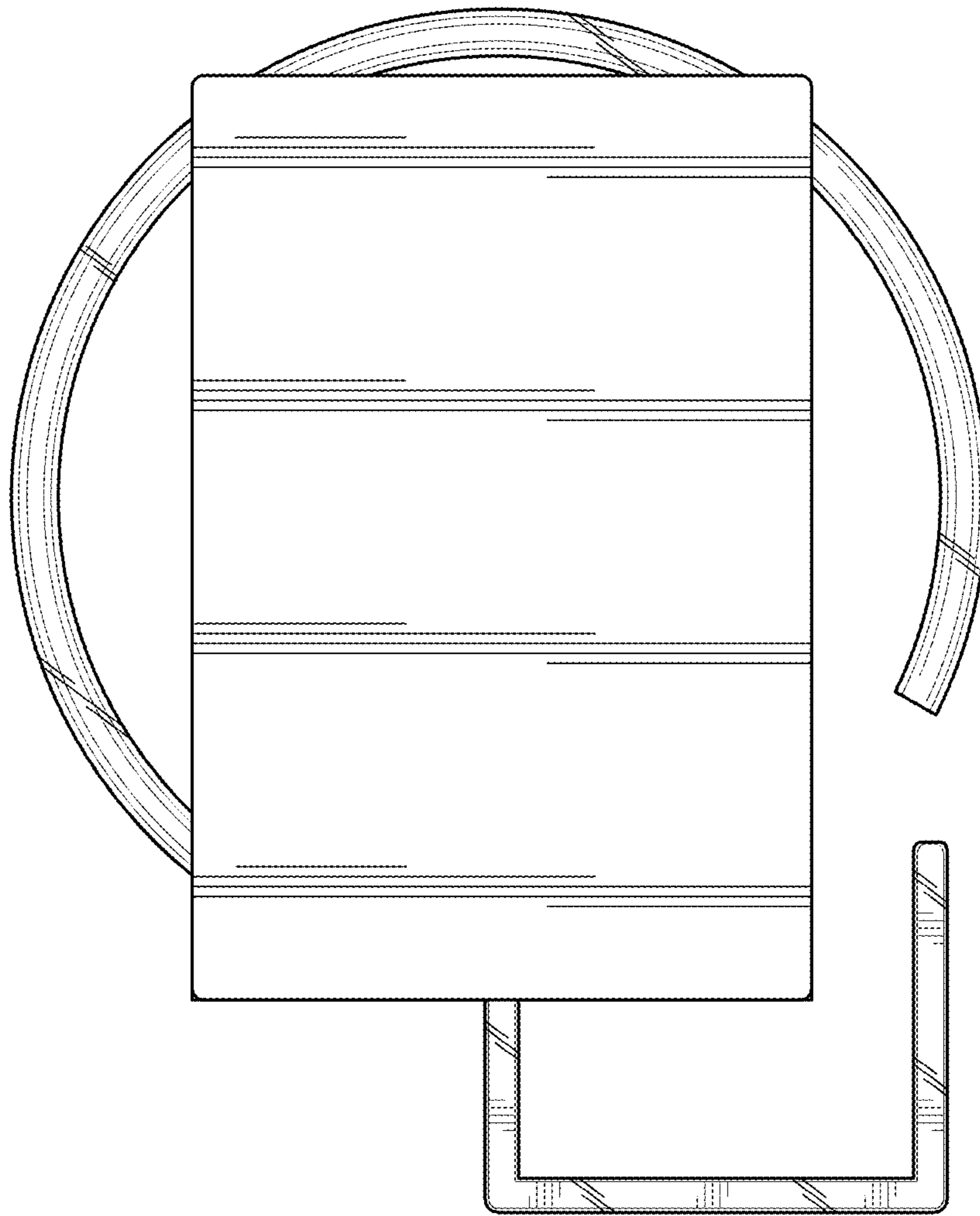


FIG. 7