



US00D820441S

(12) **United States Design Patent** (10) **Patent No.:** **US D820,441 S**  
**Ketelhohn et al.** (45) **Date of Patent:** **\*\* Jun. 12, 2018**

(54) **SURGICAL HANDPIECE NOSECONE**

(71) Applicant: **Integra LifeSciences NR Ireland Limited**, Dublin (IE)

(72) Inventors: **Robert A Ketelhohn**, Dunstable, MA (US); **Daniel J. Cotter**, North Easton, MA (US); **Prakash Manandhar**, Lawrence, MA (US); **John Bertorelli**, Andover, MA (US); **Saurav V. Gupta**, Medway, MA (US); **Erin-Anne A. Lemieux**, Mont Vernon, NH (US)

(73) Assignee: **Integra LifeSciences NR Ireland Limited**, Dublin (IE)

(\*\*) Term: **15 Years**

(21) Appl. No.: **29/567,765**

(22) Filed: **Jun. 13, 2016**

(51) **LOC (11) Cl.** ..... **24-02**

(52) **U.S. Cl.**  
USPC ..... **D24/127; 24/129**

(58) **Field of Classification Search**  
USPC ..... D24/108, 112, 127, 129, 133, 138, 152, D24/170; D8/68, 71; D15/140  
CPC .... A61B 2018/00577; A61B 2218/002; A61B 2217/005; A61B 2217/007; A61B 2218/007; A61M 1/008; A61M 1/0064; A61M 1/0086  
See application file for complete search history.

(56) **References Cited**

**U.S. PATENT DOCUMENTS**

D376,204 S \* 12/1996 Huculak ..... D24/133  
D393,318 S \* 4/1998 Wolter ..... D24/133  
D440,310 S \* 4/2001 Laks ..... D24/112  
6,234,993 B1 \* 5/2001 Terpilowski ..... A61M 1/0084  
604/35  
D468,016 S \* 12/2002 Mosler ..... D24/129

D485,616 S \* 1/2004 Baillargeon ..... D24/129  
D533,276 S \* 12/2006 Nakanishi ..... D24/152  
D536,445 S \* 2/2007 Bacher ..... D24/133  
D560,804 S \* 1/2008 Pease ..... D24/133  
D604,412 S \* 11/2009 Kobayashi ..... D24/152  
D629,102 S \* 12/2010 Murias ..... D24/152  
D660,965 S \* 5/2012 Waclawik ..... D24/152  
D674,082 S \* 1/2013 Efinger ..... D24/108  
D704,336 S \* 5/2014 Chon ..... D24/133  
D753,297 S \* 4/2016 Berci ..... D24/138  
9,320,648 B2 \* 4/2016 Deturk ..... A61F 9/00745  
D757,259 S \* 5/2016 Duck ..... D24/129

(Continued)

**OTHER PUBLICATIONS**

“Integra CUSA Excel+ Ultrasonic Tissue Ablation System”, 2013, 4 pages, Integra LifeSciences Corporation, USA.

(Continued)

*Primary Examiner* — Karen E Kearney

*Assistant Examiner* — Lilyana Bekic

(74) *Attorney, Agent, or Firm* — Eva Tan

(57) **CLAIM**

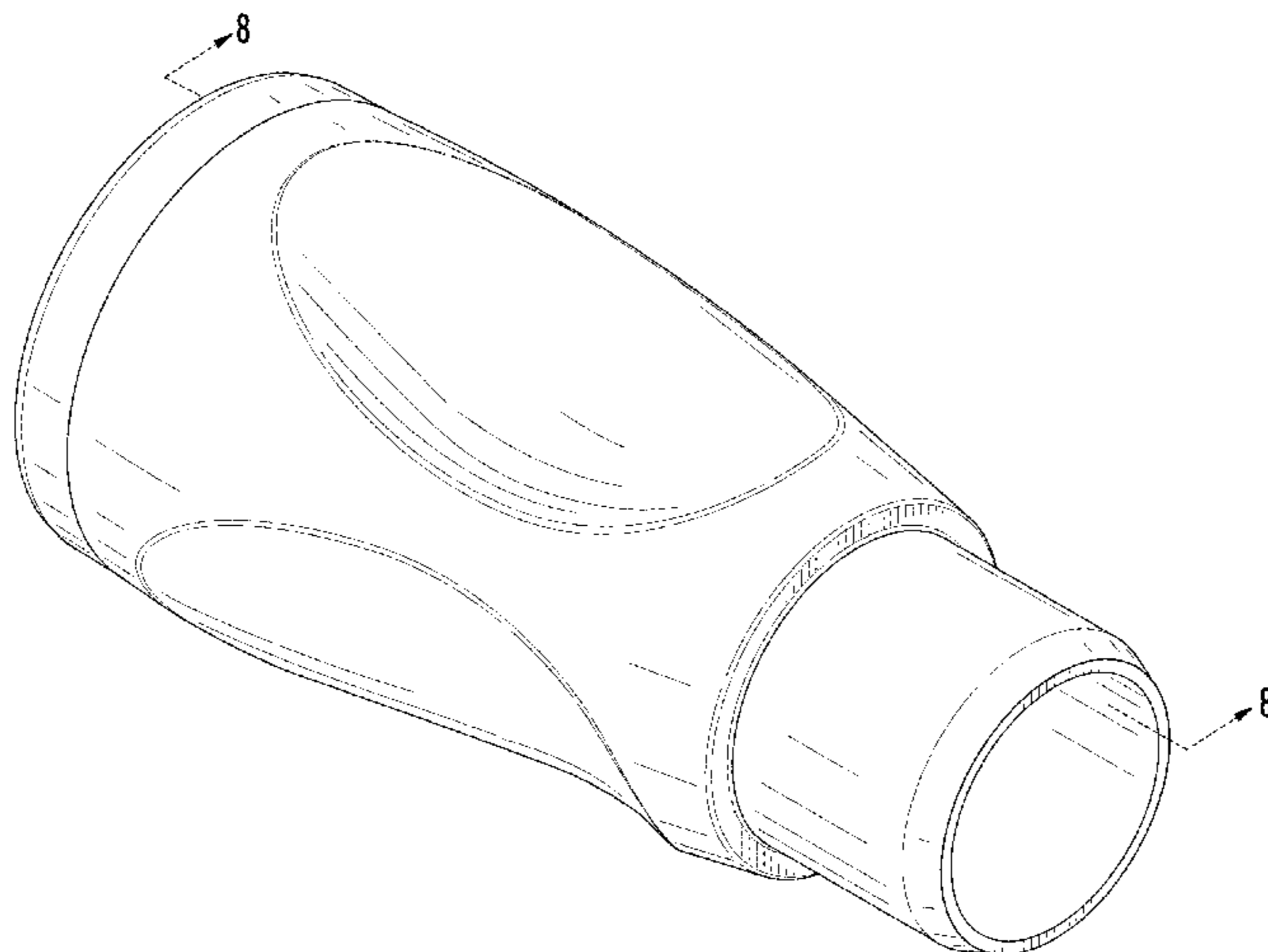
The ornamental design for a surgical handpiece nosecone, as shown and described.

**DESCRIPTION**

FIG. 1 is a perspective view of a surgical handpiece nosecone; FIG. 2 is a left side elevational view thereof; FIG. 3 is a right side elevational view thereof; FIG. 4 is a front elevational view thereof; FIG. 5 is a rear elevational view thereof; FIG. 6 is a top plan view thereof; FIG. 7 is a bottom plan view thereof; and, FIG. 8 is a cross-sectional view taken along line 8-8 of FIG. 1.

The broken lines depict portions of the article that form no part of the claimed design.

**1 Claim, 7 Drawing Sheets**



(56)

**References Cited**

U.S. PATENT DOCUMENTS

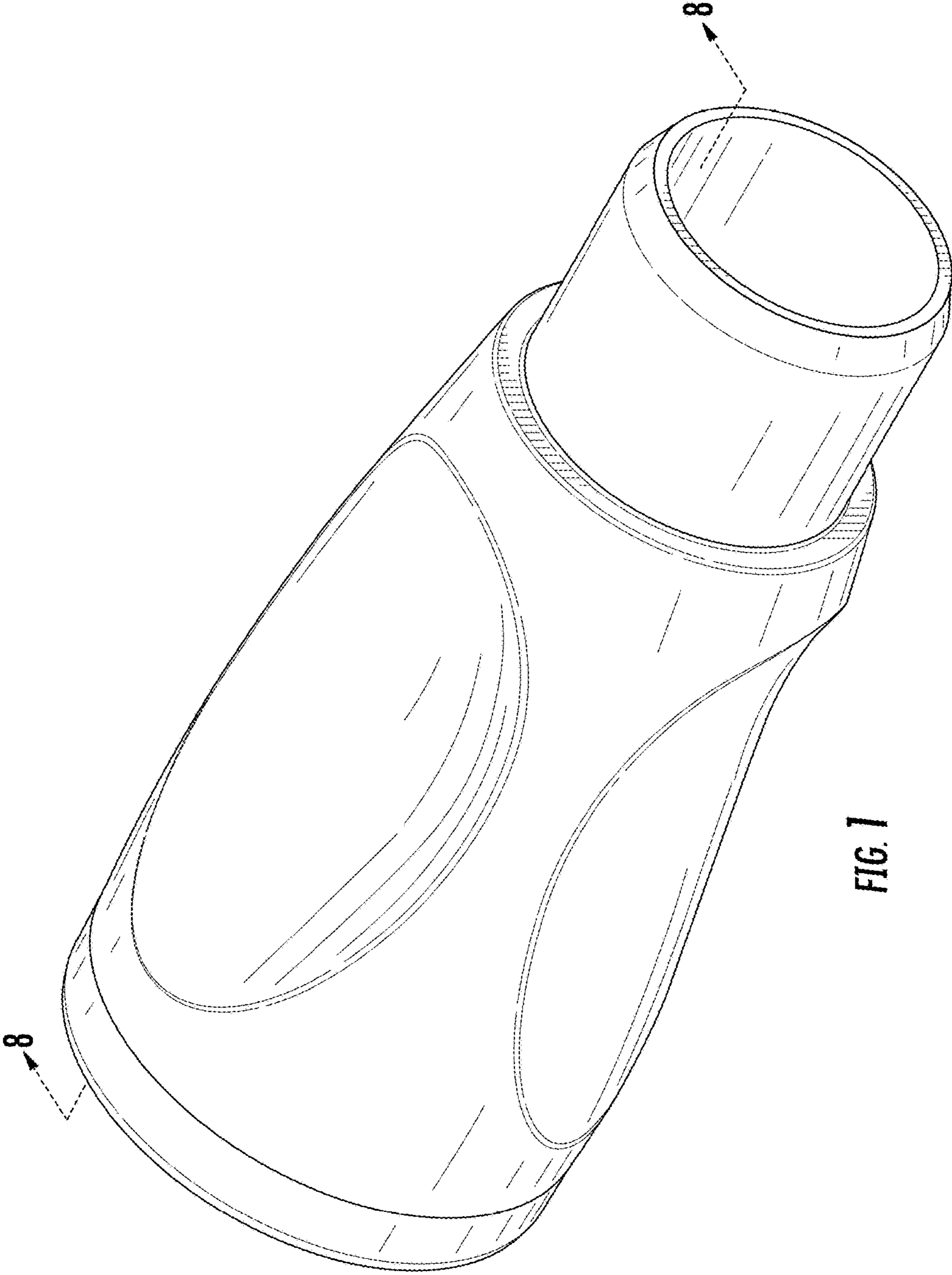
D791,310 S \* 7/2017 Maurice ..... D24/129  
2002/0138080 A1 \* 9/2002 Chon ..... A61F 9/00745  
606/103  
2004/0098006 A1 \* 5/2004 Nakanishi ..... A61B 17/1631  
606/170  
2007/0156224 A1 \* 7/2007 Cioanta ..... A61F 2/95  
623/1.11  
2009/0275930 A1 \* 11/2009 Di Sessa ..... A61B 18/22  
606/13  
2013/0264821 A1 \* 10/2013 Duck ..... F16L 37/02  
285/397  
2014/0012296 A1 \* 1/2014 Sussmen ..... A61F 9/00745  
606/169  
2014/0100515 A1 \* 4/2014 DeTurk ..... A61F 9/00745  
604/22  
2014/0107565 A1 \* 4/2014 Wiljanen ..... A61M 1/0064  
604/35

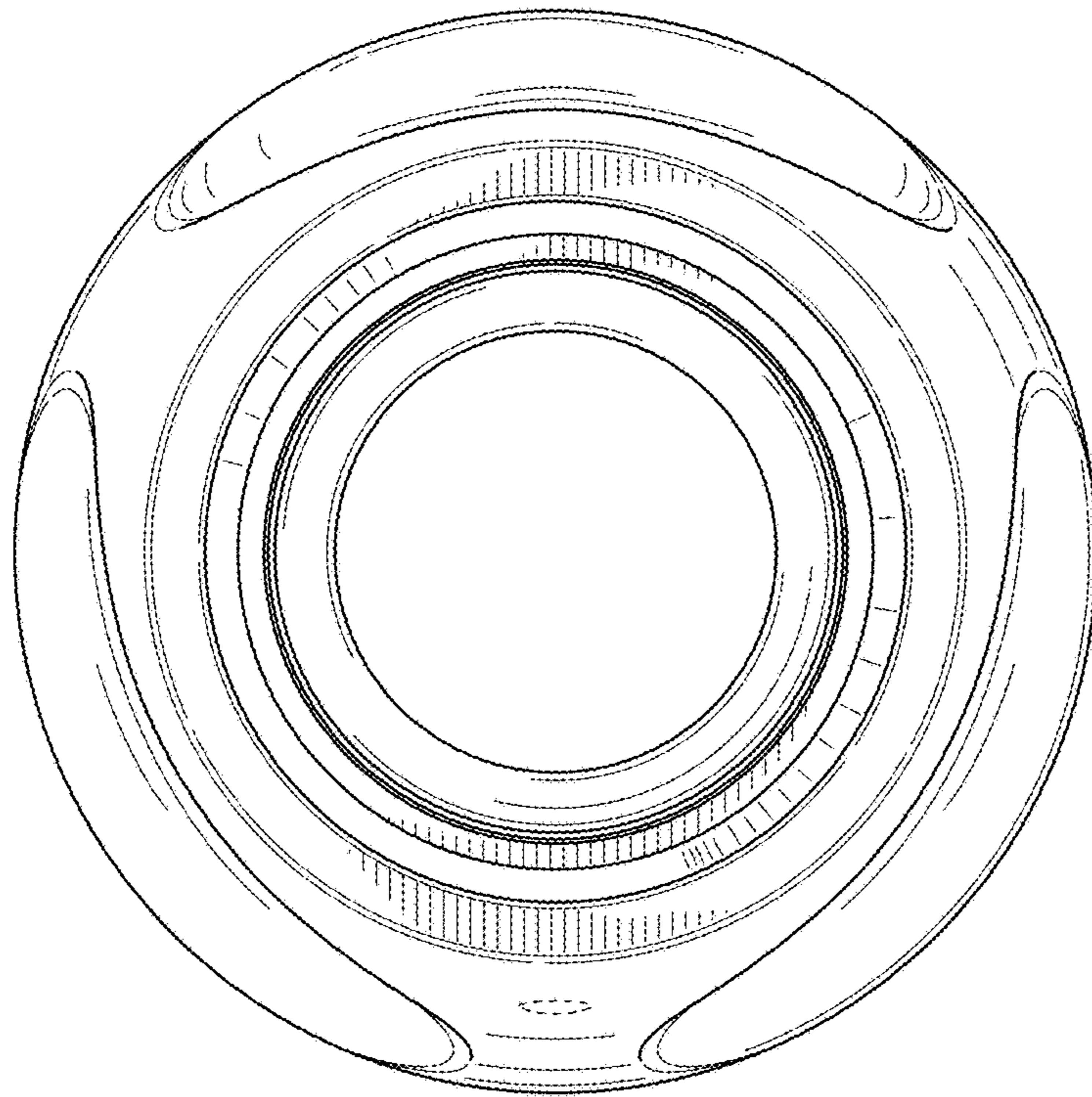
2015/0148770 A1 \* 5/2015 Arnone ..... A61M 1/0047  
604/500  
2017/0157315 A1 \* 6/2017 Wiljanen ..... A61M 3/0283  
2017/0354429 A1 \* 12/2017 Ketelhohn ..... A61B 17/22012

OTHER PUBLICATIONS

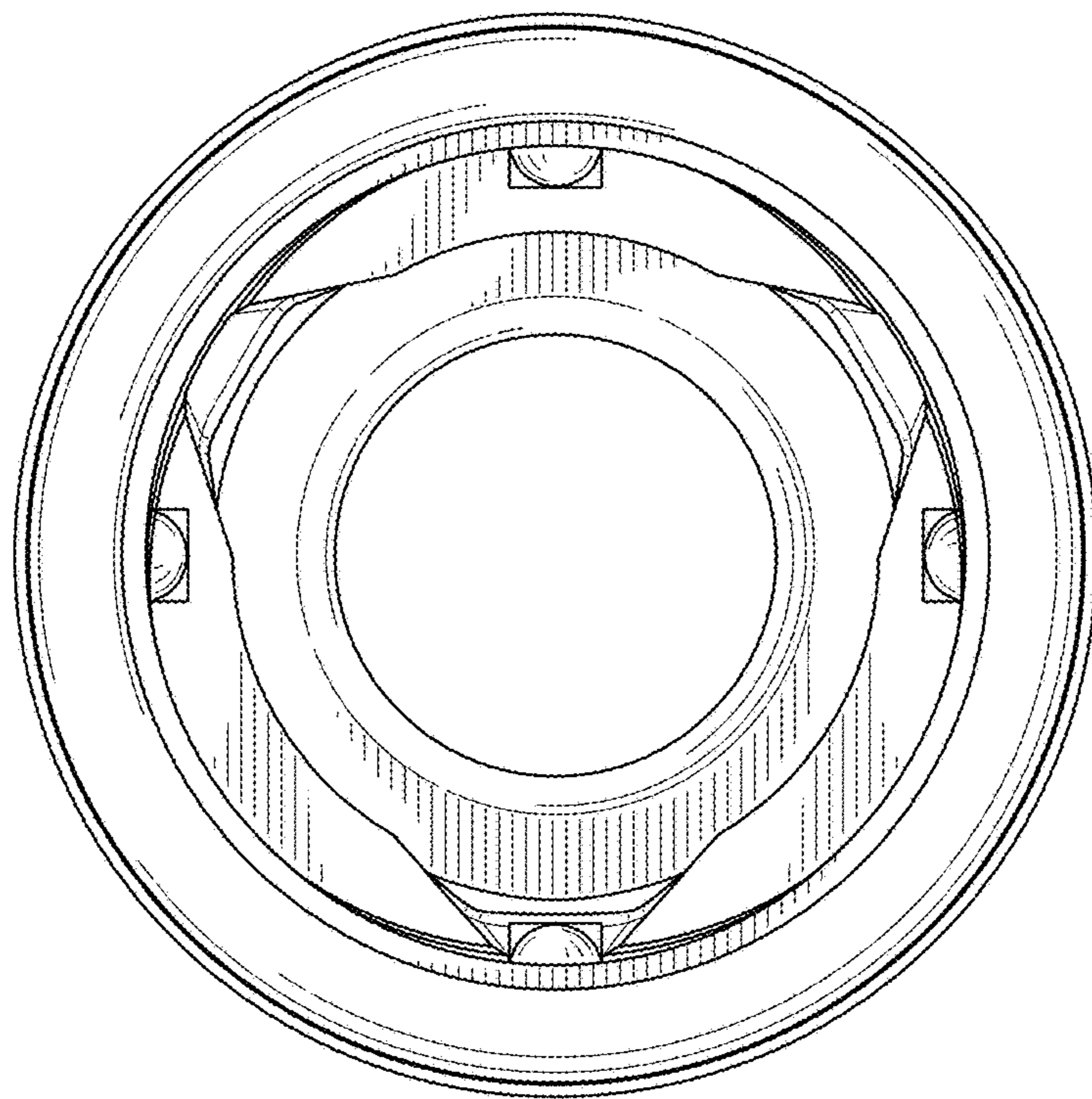
“Integra CUSA NXT Handpieces and Tips”, 2012, 2 pages, Integra LifeSciences Corporation, USA.  
“Integra CUSA NXT Ultrasonic Tissue Ablation System”, 2012, 8 pages, Integra LifeSciences Corporation, USA.  
“Integra CUSA Excel+ Ultrasonic Surgical Aspirator”, 2012, 8 pages, Integra LifeSciences Corporation, USA.  
“CUSA NXT Ultrasonic Tissue Ablation System”, 2008, 6 pages, Integra LifeSciences Corporation, USA.  
“CUSA NXT Ultrasonic Tissue Ablation System”, 2008, 2 pages, Integra LifeSciences Corporation, USA.

\* cited by examiner





**FIG. 2**



**FIG. 3**

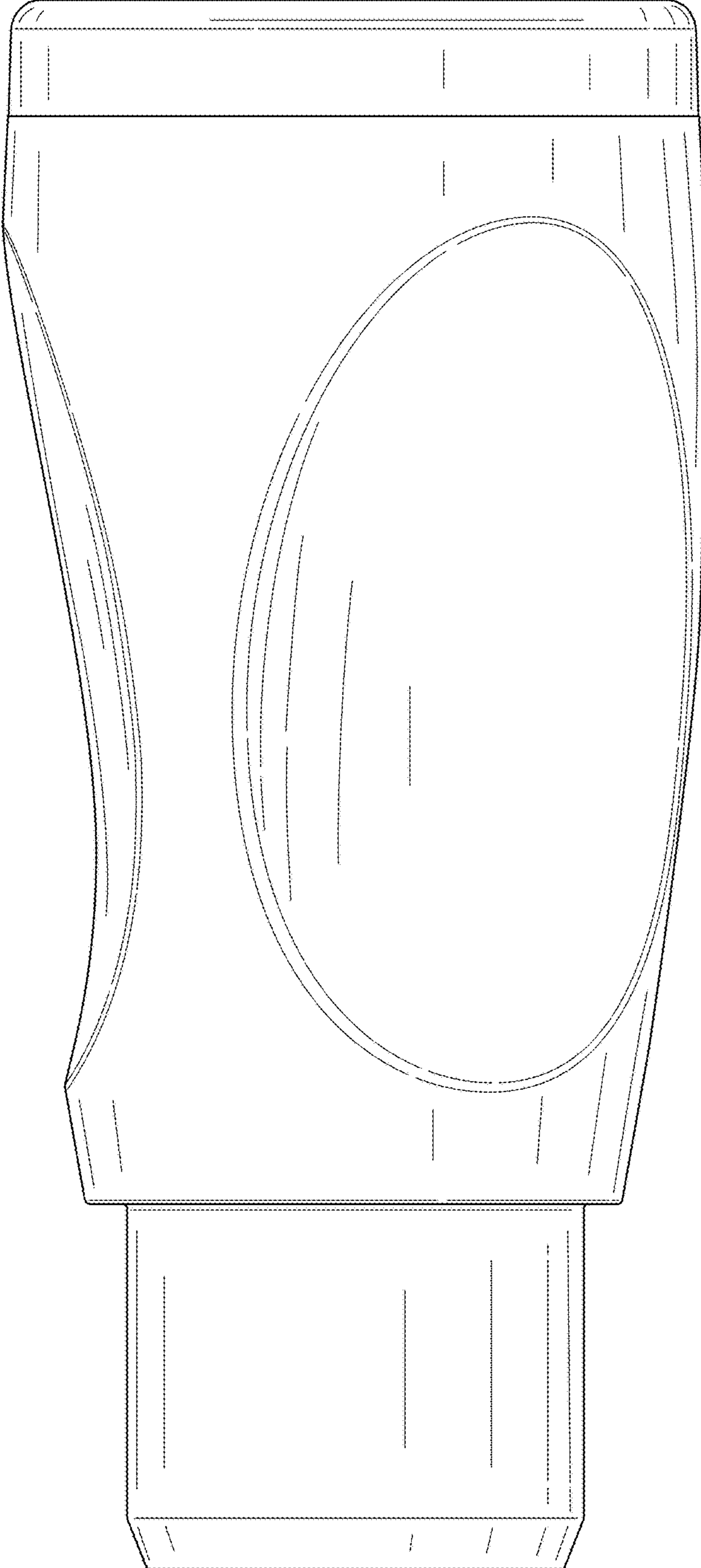


FIG. 4

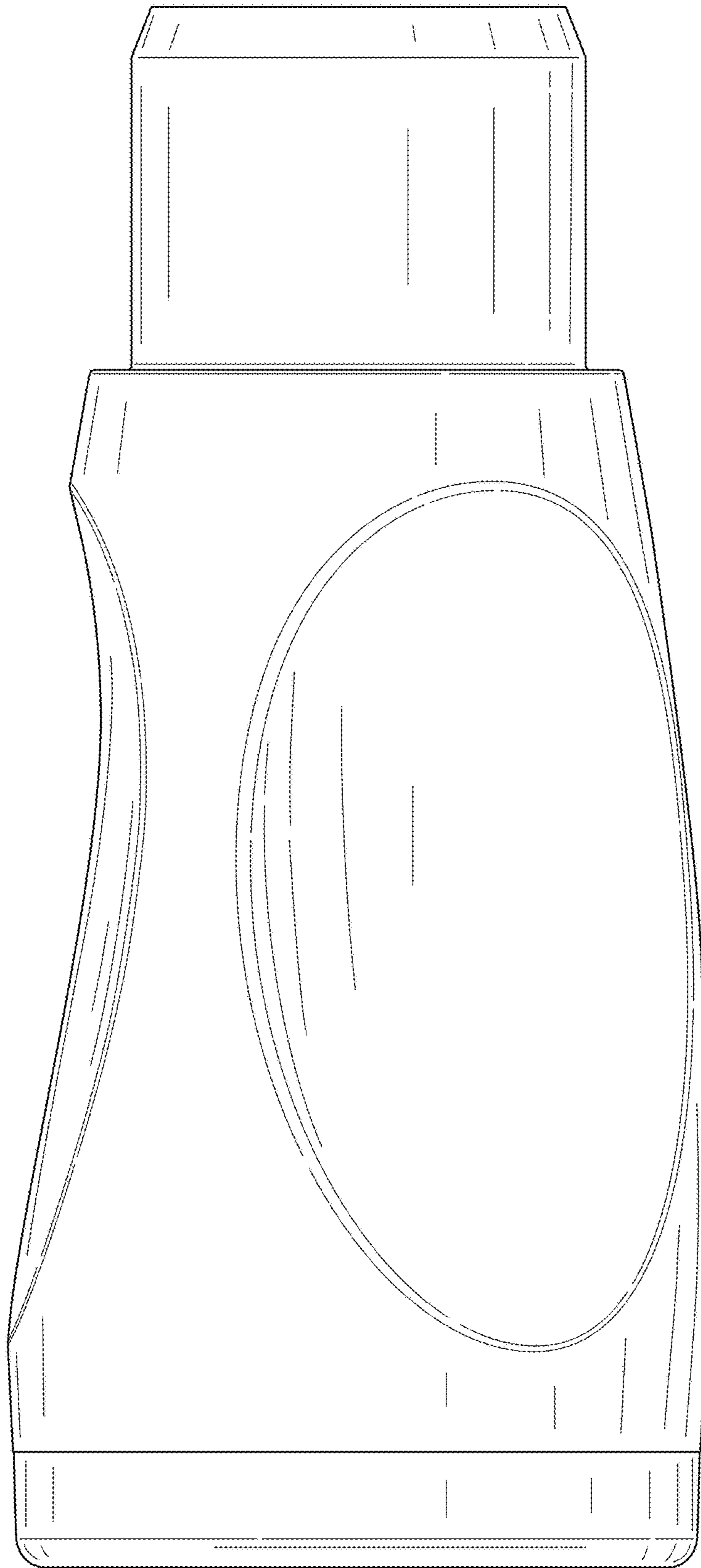


FIG. 5

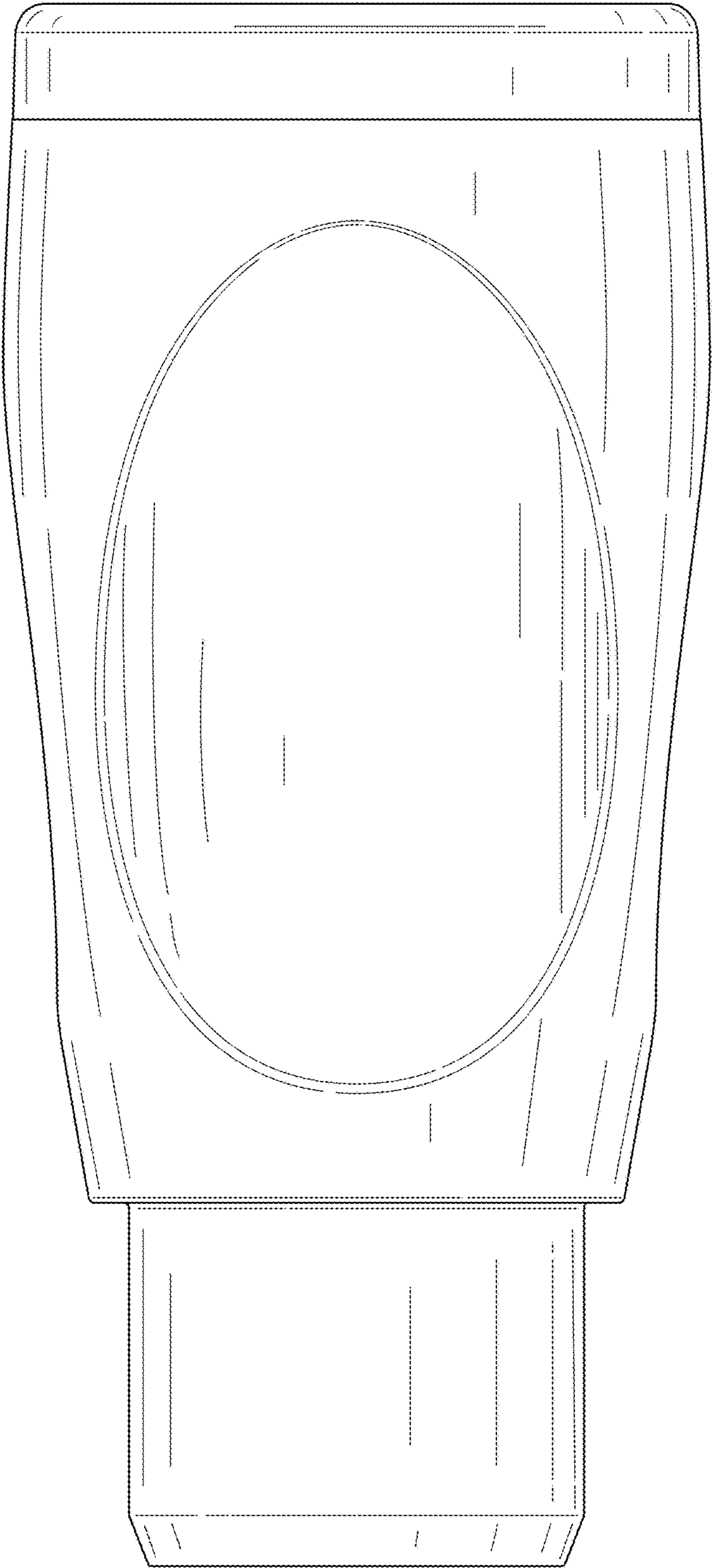


FIG. 6

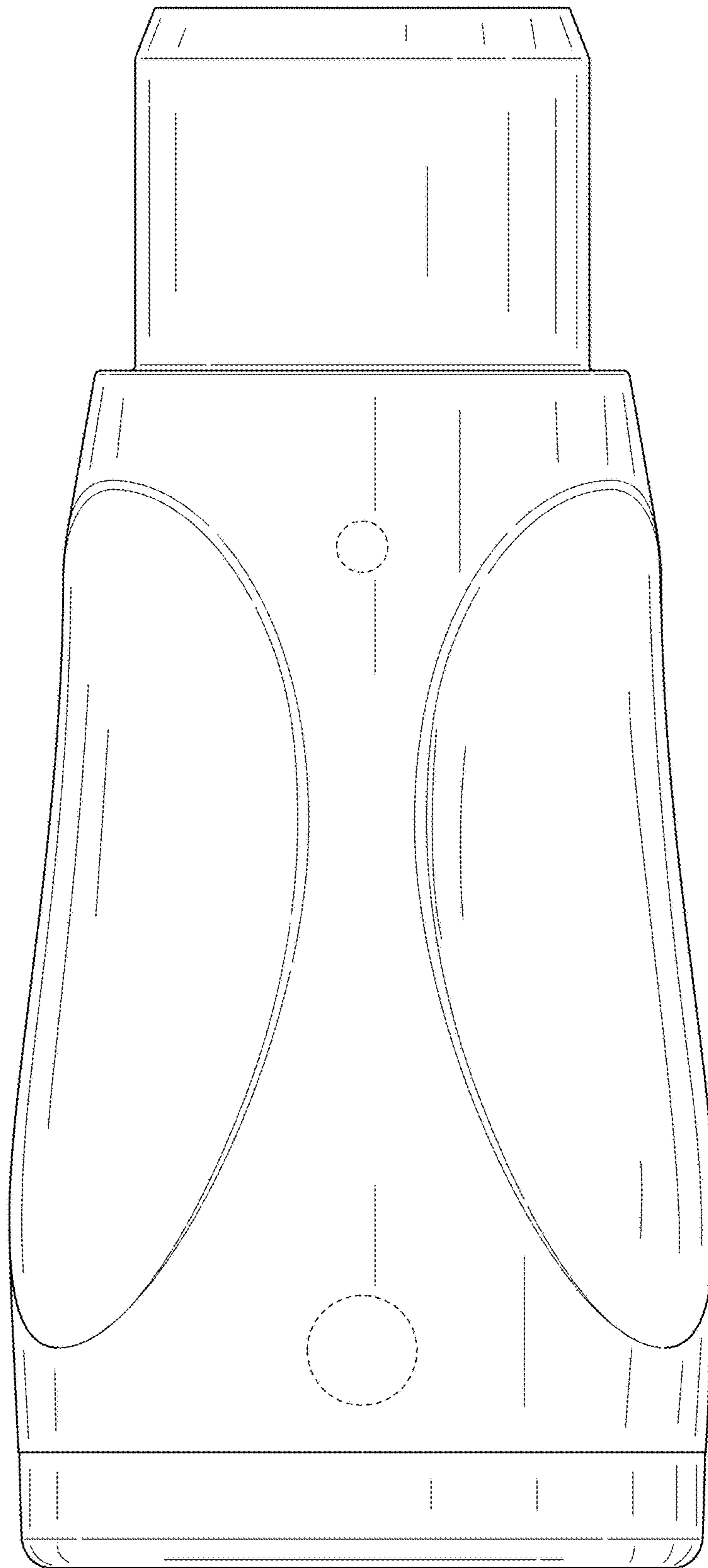


FIG. 7



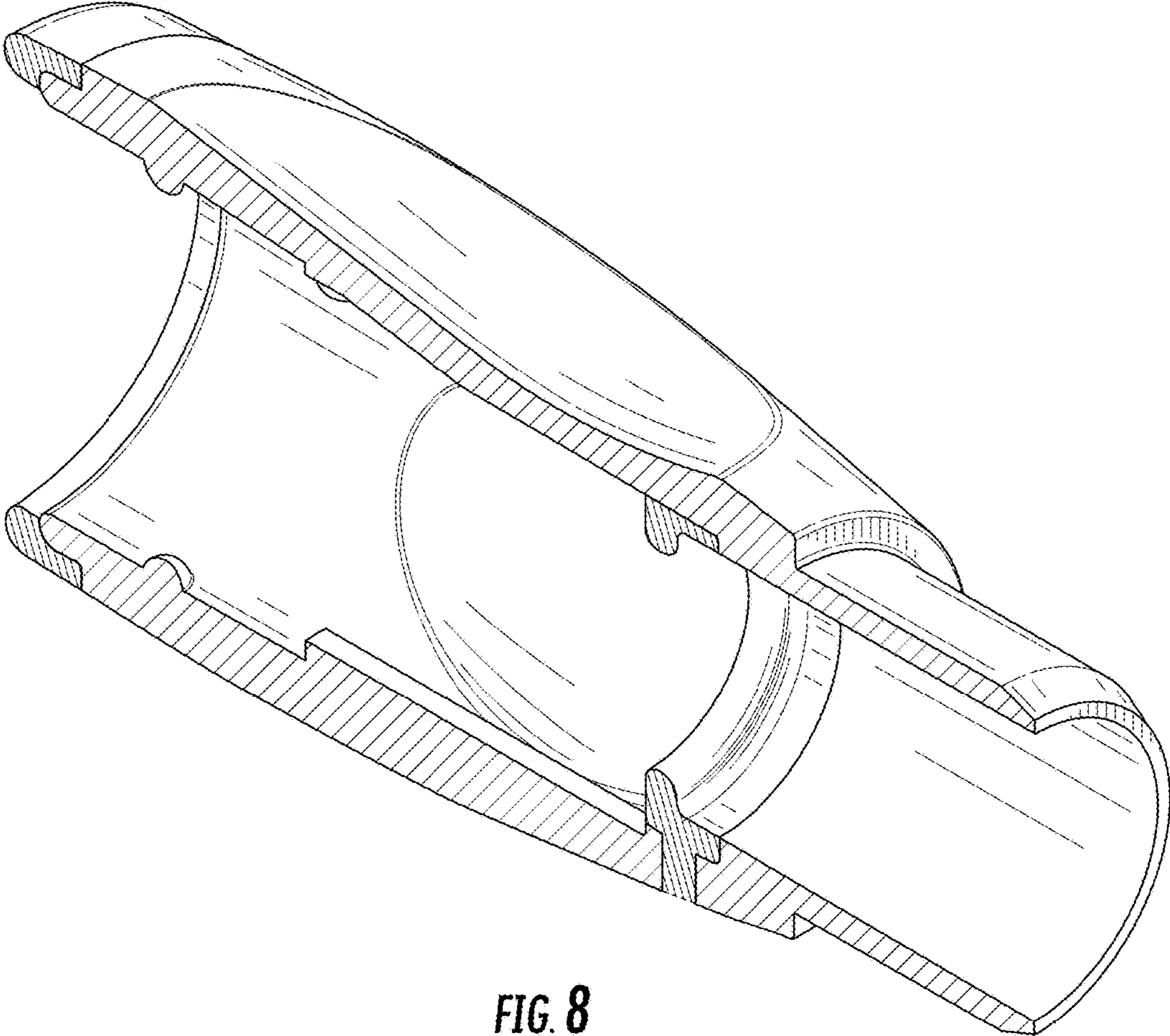


FIG. 8