



US00D820440S

(12) **United States Design Patent** (10) **Patent No.:** **US D820,440 S**
Chuvashova et al. (45) **Date of Patent:** **** Jun. 12, 2018**

(54) **MEDICAMENT DELIVERY DEVICE**

(56) **References Cited**

(71) Applicant: **Carebay Europe Ltd., Sliema (MT)**

U.S. PATENT DOCUMENTS

(72) Inventors: **Natalia Chuvashova, Nacka (SE);
Thomas Bergens, Ingaro (SE); Anders
Wieselblad, Stockholm (SE)**

D31,147 S	7/1899	Bryant
2,632,445 A	3/1953	Kas, Sr.
2,660,342 A	11/1953	Ruf
3,334,788 A	8/1967	Hamilton
4,413,760 A	11/1983	Paton
4,475,905 A	10/1984	Himmelstrup

(Continued)

(73) Assignee: **Carebay Europe Ltd., Sliema (MT)**

(**) Term: **15 Years**

FOREIGN PATENT DOCUMENTS

(21) Appl. No.: **29/567,885**

WO	WO-2013/156345 A2	10/2013
WO	WO-2016/0191554 A1	6/2016

(22) Filed: **Jun. 13, 2016**

OTHER PUBLICATIONS

Related U.S. Application Data

U.S. Appl. No. 29/567,878, filed Jun. 13, 2016, Chuvashova et al.

(63) Continuation of application No. PCT/EP2015/077139, filed on Nov. 19, 2015.

(Continued)

(30) **Foreign Application Priority Data**

Primary Examiner — David G Muller

Assistant Examiner — Nathan M Johnston

(74) *Attorney, Agent, or Firm* — Foley & Lardner LLP;
Nicola A. Pisano

Dec. 12, 2014 (SE) 1451528-2

(51) **LOC (11) Cl.** **24-02**

(57) **CLAIM**

We claim the ornamental design for a medicament delivery device, as shown and described.

(52) **U.S. Cl.**

USPC **D24/113**

DESCRIPTION

(58) **Field of Classification Search**

USPC D24/112–114, 133, 186, 127–131;
606/181, 185; 604/264, 272, 115, 232,
604/187, 158, 164.08, 192, 263, 163, 181,
604/184, 198, 227; 600/101, 139, 143;
128/200.24, 207.14, 207.15;
D19/115–123, 177, 193

FIG. 1 is a top plan view of the claimed design;
FIG. 2 is a front elevation view thereof;
FIG. 3 is a right side elevation view thereof;
FIG. 4 is a bottom elevation view thereof;
FIG. 5 is a bottom perspective view thereof; and,
FIG. 6 is a perspective view thereof.

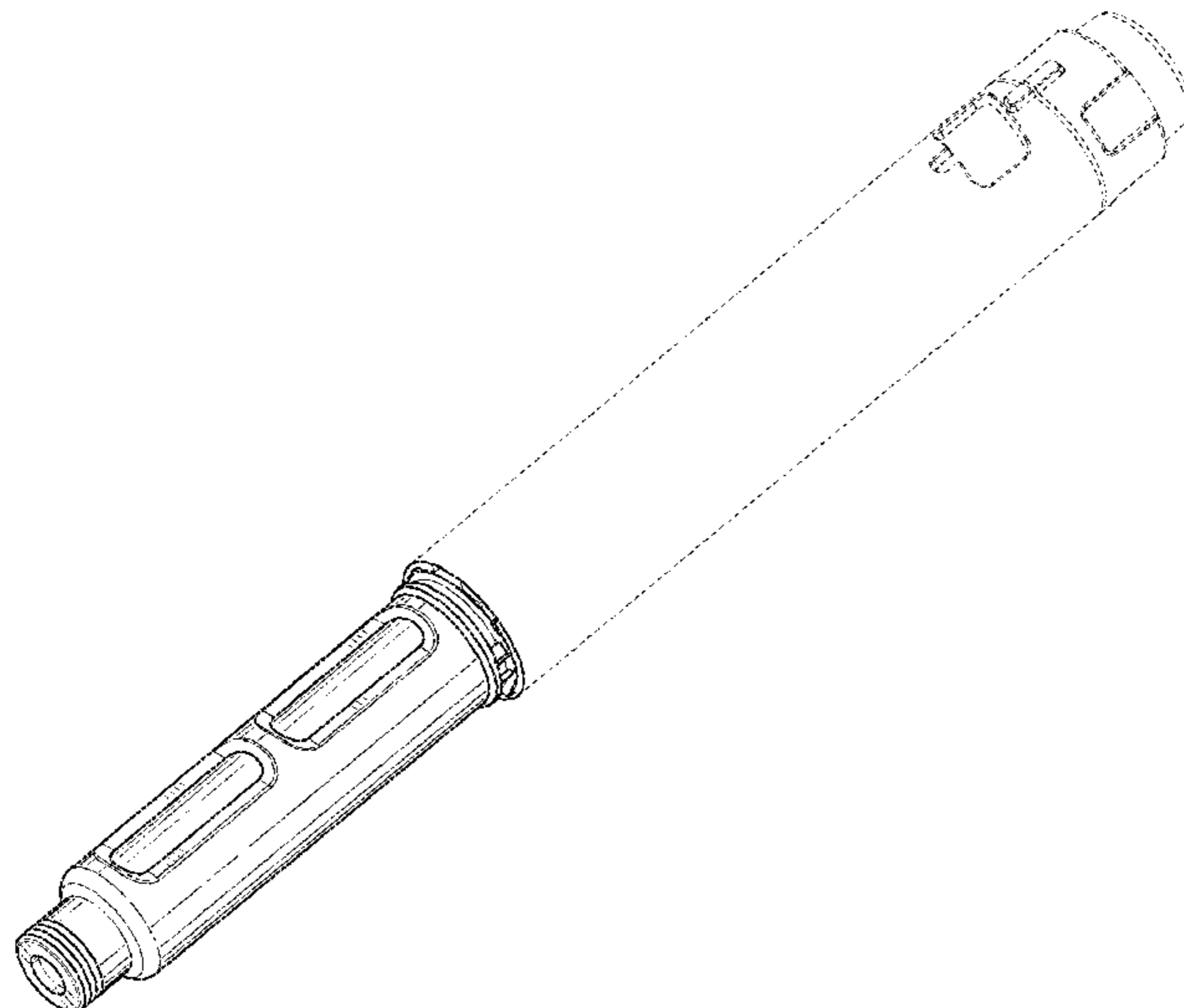
CPC A61M 5/3156; A61M 5/31591; A61M
5/3155; A61M 5/3157; A61M 5/24;
A61M 5/31501; A61M 5/31551; A61M
5/31585; A61M 2005/2407; A61M
2005/2492; A61M 2205/581

The ornamental design which is claimed is shown in solid lines in the drawings.

The broken line showing of medicament delivery device is included for the purpose of illustrating portions of the “article” and forms no part of the claimed design.

See application file for complete search history.

1 Claim, 6 Drawing Sheets



(56)

References Cited

U.S. PATENT DOCUMENTS

4,498,904 A 2/1985 Turner et al.
 4,592,745 A 6/1986 Rex et al.
 4,659,327 A 4/1987 Bennett et al.
 D289,865 S 5/1987 Rosenwein et al.
 4,883,472 A 11/1989 Michel
 4,936,833 A 6/1990 Sams
 D309,857 S 8/1990 Fenton
 4,968,299 A 11/1990 Ahlstrand et al.
 D318,526 S 7/1991 Chaney
 5,092,842 A 3/1992 Bechtold et al.
 5,104,380 A 4/1992 Holman et al.
 D326,434 S 5/1992 Levy
 5,112,317 A 5/1992 Michel
 5,279,585 A 1/1994 Balkwill
 5,304,152 A 4/1994 Sams
 5,674,204 A 10/1997 Chanoch
 5,743,889 A 4/1998 Sams
 D405,520 S 2/1999 Birdsell et al.
 5,921,966 A 7/1999 Bendek et al.
 5,957,896 A 9/1999 Bendek et al.
 6,001,082 A 12/1999 Dair et al.
 6,221,046 B1 4/2001 Burroughs et al.
 D451,595 S 12/2001 Chen et al.
 D470,885 S 2/2003 Tahara
 D479,080 S 9/2003 Damiano
 D492,027 S 6/2004 Tyce et al.
 D496,336 S 9/2004 Wang
 D501,253 S * 1/2005 Bainton D19/164
 D503,797 S * 4/2005 Tyce D24/114
 D540,465 S 4/2007 Bainton
 D545,895 S 7/2007 Okutani
 D599,010 S * 8/2009 Tyce D24/113
 D599,011 S * 8/2009 Tyce D24/113
 D626,231 S 10/2010 Perchik
 7,905,867 B2 3/2011 Veasey et al.
 D645,953 S 9/2011 Peterson et al.
 D654,537 S 2/2012 Hung
 D657,436 S 4/2012 Tsai
 D665,304 S 8/2012 Takeda
 D676,548 S 2/2013 Pala et al.
 D688,790 S 8/2013 Guarraia et al.
 D688,791 S 8/2013 Guarraia et al.
 8,512,297 B2 8/2013 Veasey et al.

D689,395 S 9/2013 Chan
 D696,771 S 12/2013 Schneider et al.
 D703,314 S 4/2014 Schneider et al.
 8,740,860 B2 6/2014 Theucher
 D716,442 S 10/2014 Magome et al.
 D717,428 S 11/2014 Sendatzki et al.
 8,926,570 B2 1/2015 Chung
 D722,158 S * 2/2015 Magome D24/113
 D728,420 S 5/2015 Leung
 D741,271 S 10/2015 Noack
 D743,538 S 11/2015 Sanders et al.
 D746,444 S 12/2015 Jones
 D752,210 S 3/2016 Amend Kwasnik et al.
 D760,370 S 6/2016 Herbst
 D773,038 S 11/2016 Tanner et al.
 D773,646 S 12/2016 Amend Kwasnik et al.
 D773,650 S 12/2016 Fourt et al.
 D777,908 S * 1/2017 Amend Kwasnik D24/113
 D780,621 S 3/2017 Gardner et al.
 2013/0131601 A1 * 5/2013 Pommereau A61M 5/3129
 604/189
 2014/0163478 A1 * 6/2014 Hoppe A61M 5/24
 604/208
 2014/0249482 A1 * 9/2014 Wieselblad A61M 5/31551
 604/211
 2015/0025473 A1 * 1/2015 Banik A61M 5/3204
 604/192
 2015/0073350 A1 * 3/2015 Einwachter A61M 5/24
 604/187
 2015/0080807 A1 * 3/2015 Schneider A61M 5/20
 604/189
 2015/0356273 A1 12/2015 Cave
 2016/0114107 A1 * 4/2016 Soerensen A61M 5/24
 604/506

OTHER PUBLICATIONS

U.S. Appl. No. 29/567,883, filed Jun. 13, 2016, Chuvashova et al.
 U.S. Appl. No. 29/567,881, filed Jun. 13, 2016, Chuvashova, Natalia.
 U.S. Appl. No. 29/567,882, filed Jun. 13, 2016, Chuvashova, Natalia.
 International Search Report & Written Opinion dated Feb. 18, 2016 in Int'l PCT Patent Application Ser. No. PCT/EP2015/077139.

* cited by examiner

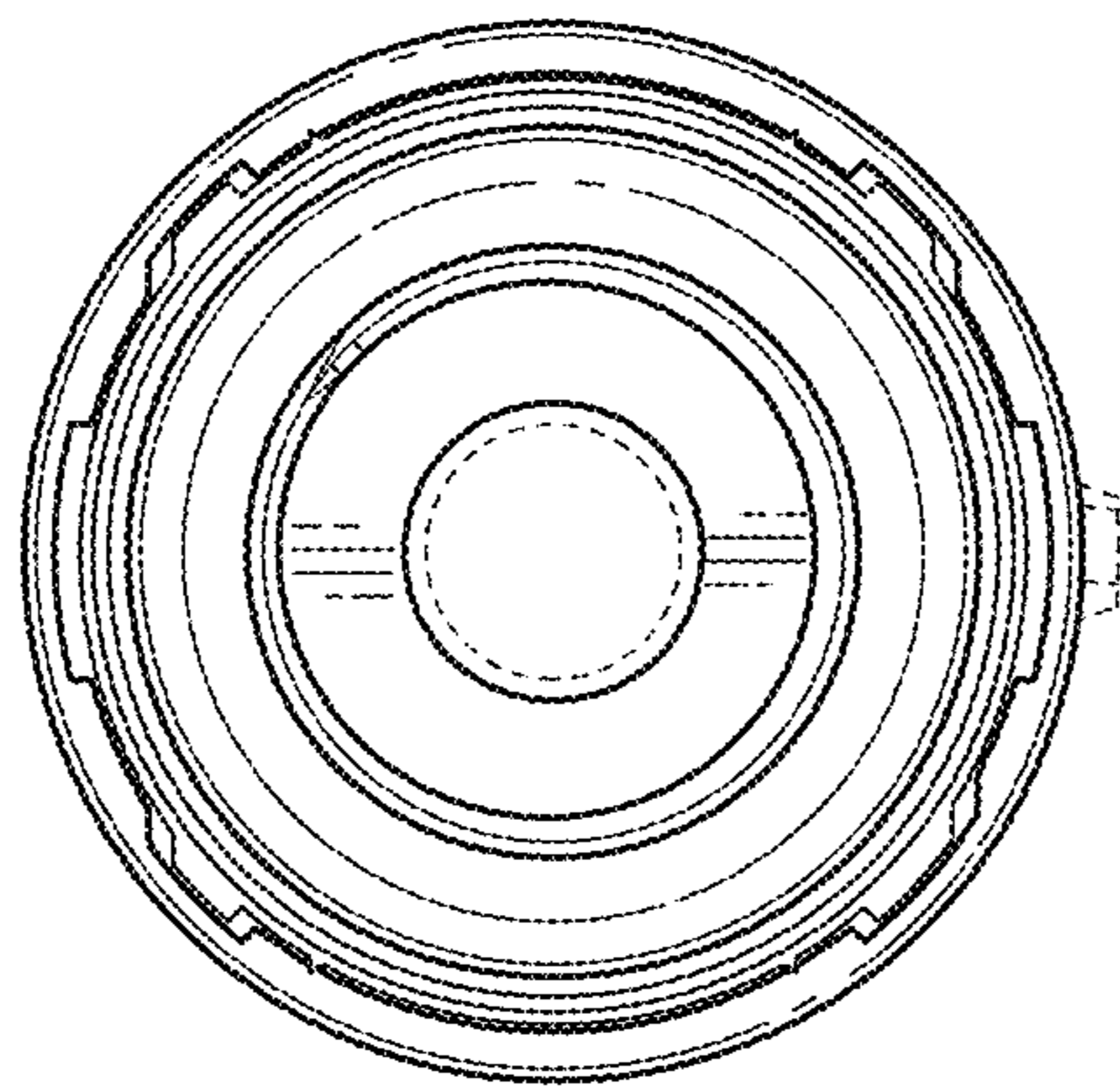


FIG. 1

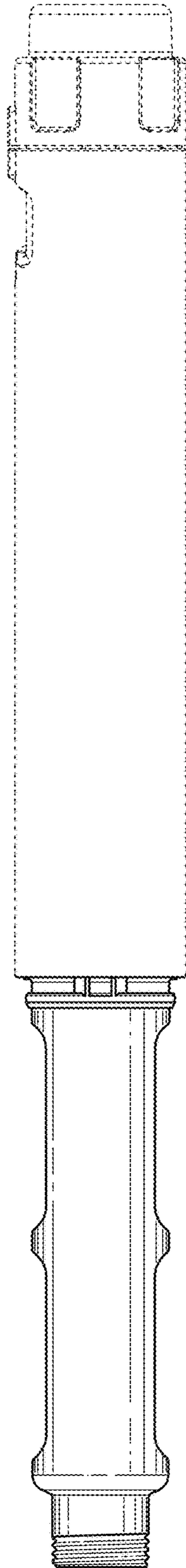


FIG. 2

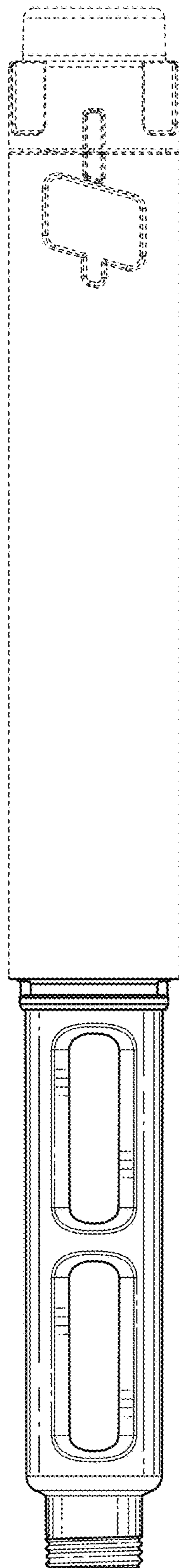


FIG. 3

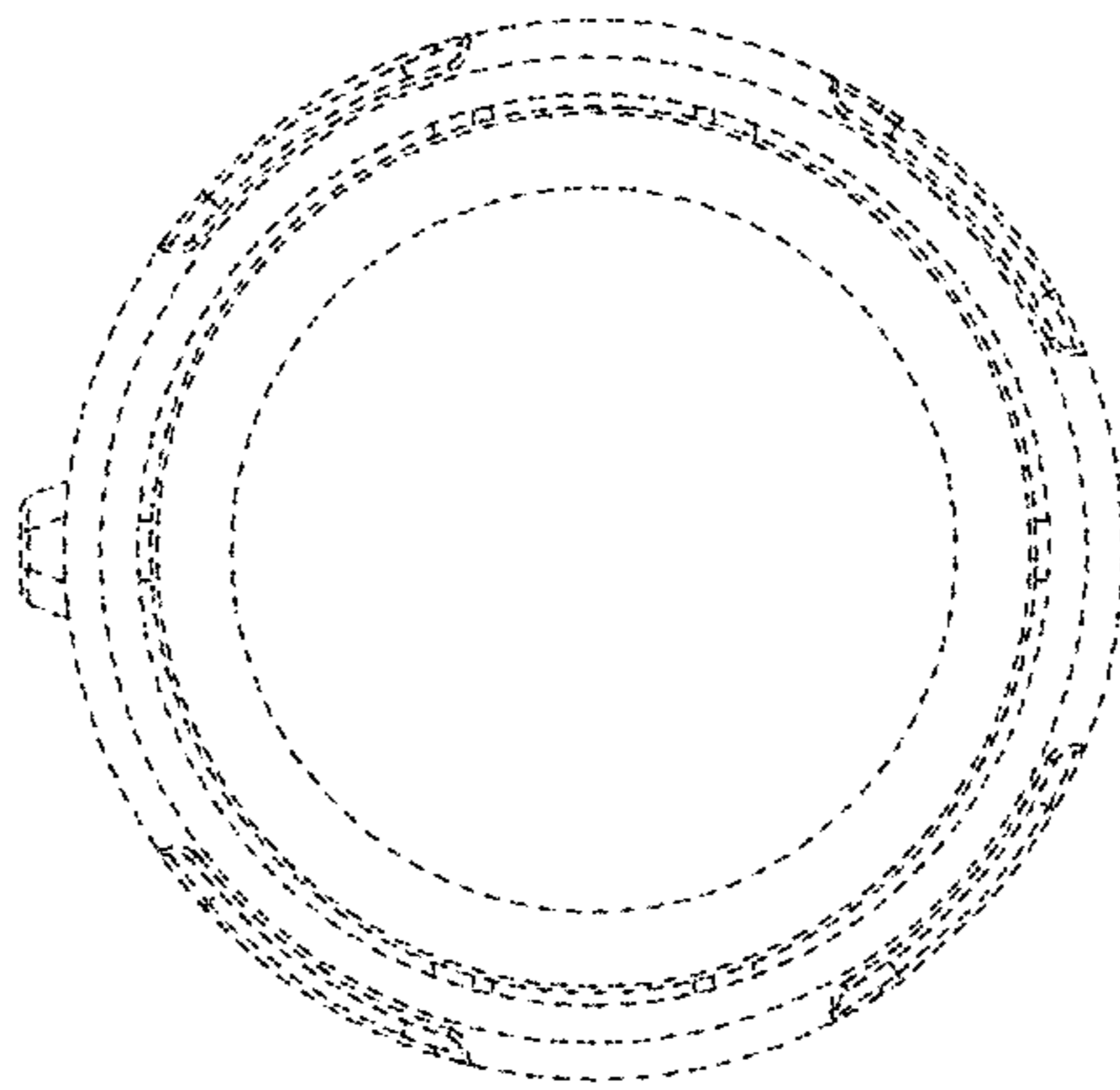


FIG. 4

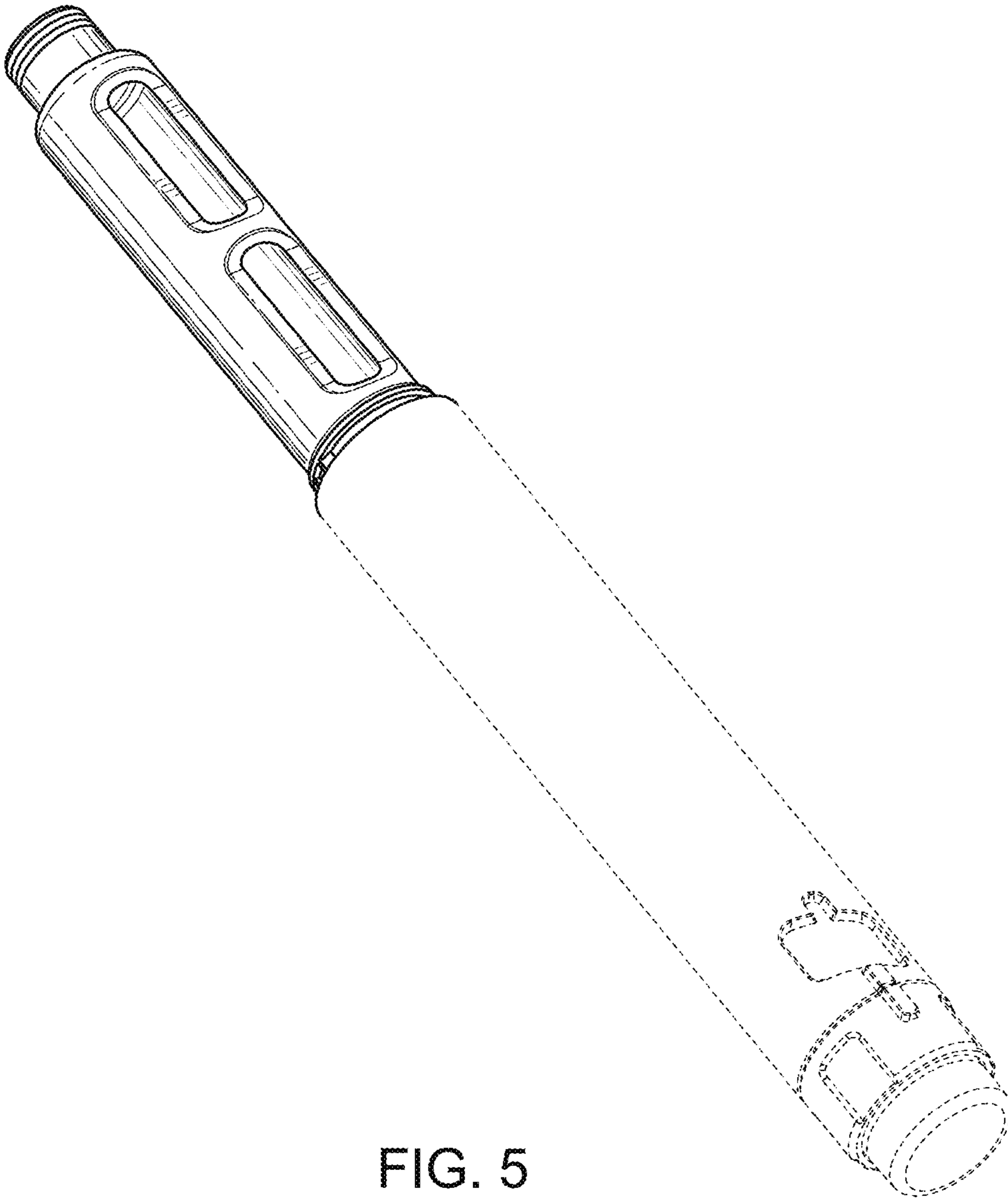


FIG. 5

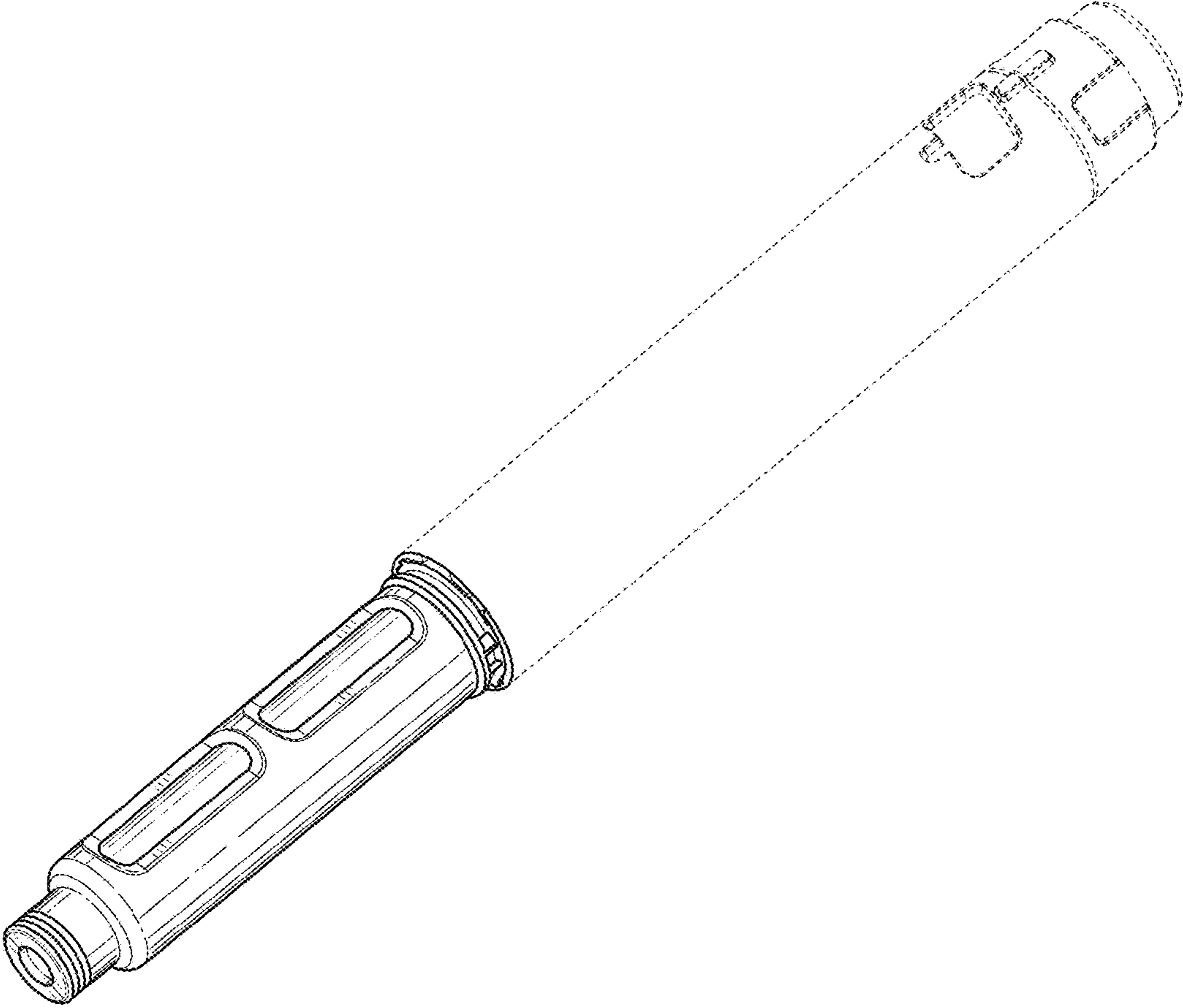


FIG. 6