



US00D820439S

(12) **United States Design Patent** (10) **Patent No.:** **US D820,439 S**
Chuvashova (45) **Date of Patent:** **** Jun. 12, 2018**

(54) **MEDICAMENT DELIVERY DEVICE**

(71) Applicant: **Carebay Europe Ltd.**, Sliema (MT)

(72) Inventor: **Natalia Chuvashova**, Nacka (SE)

(73) Assignee: **Carebay Europe Ltd.**, Sliema (MT)

(**) Term: **15 Years**

(21) Appl. No.: **29/567,882**

(22) Filed: **Jun. 13, 2016**

(51) **LOC (11) Cl.** **24-02**

(52) **U.S. Cl.**
USPC **D24/113**

(58) **Field of Classification Search**
USPC D24/112-114, 133, 186, 127-131;
606/181, 185; 604/264, 272, 115, 232,
604/187, 158, 164.08, 192, 263, 163, 181,
604/184, 198, 227; 600/101, 139, 143;
128/200.24, 207.14, 207.15;
D19/115-123, 177, 193; D23/411, 412,
D23/382
CPC A61M 5/3156; A61M 5/31591; A61M
5/3155; A61M 5/3157; A61M 5/24;
A61M 5/31501; A61M 5/31551; A61M
5/31585; A61M 2005/2407; A61M
2005/2492; A61M 2205/581; A61M
2205/582

See application file for complete search history.

(56) **References Cited**

U.S. PATENT DOCUMENTS

D31,147 S	7/1899	Bryant
2,632,445 A	3/1953	Kas, Sr.
2,660,342 A	11/1953	Ruf
3,334,788 A	8/1967	Hamilton
4,413,760 A	11/1983	Paton
4,475,905 A	10/1984	Himmelstrup
4,498,904 A	2/1985	Turner et al.
4,592,745 A	6/1986	Rex et al.

4,659,327 A	4/1987	Bennett et al.	
D289,865 S *	5/1987	Rosenwein D11/222
4,883,472 A	11/1989	Michel	
4,936,833 A	6/1990	Sams	
D309,857 S	8/1990	Fenton	
4,968,299 A	11/1990	Ahlstrand et al.	
		(Continued)	

FOREIGN PATENT DOCUMENTS

WO	WO-2013/156345 A2	10/2013
WO	WO-2016/091554 A1	6/2016

OTHER PUBLICATIONS

U.S. Appl. No. 29/567,878, filed Jun. 13, 2016, Chuvashova et al.
(Continued)

Primary Examiner — David G Muller
Assistant Examiner — Nathan M Johnston
(74) *Attorney, Agent, or Firm* — Foley & Lardner LLP;
Nicola A. Pisano

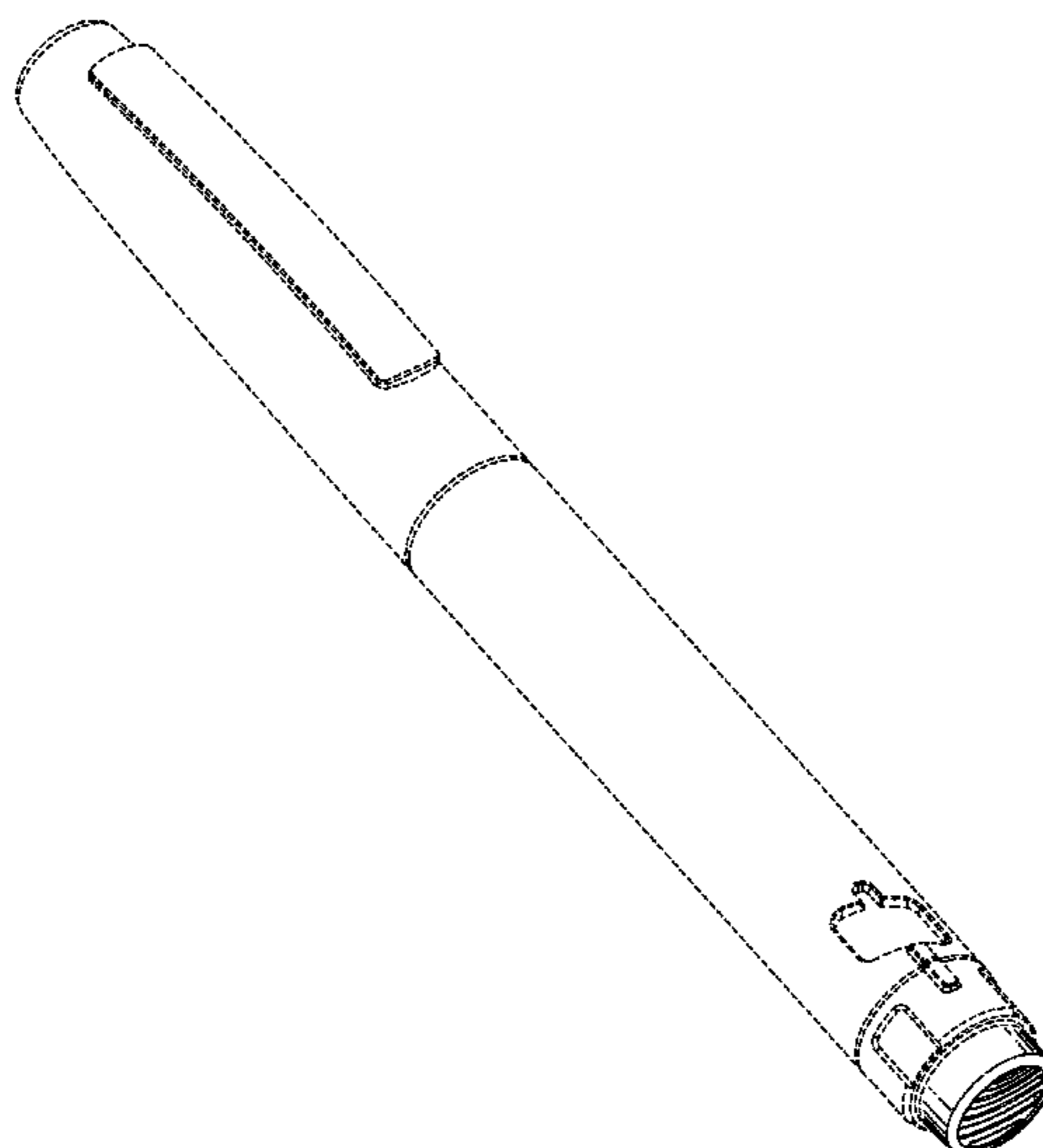
(57) **CLAIM**

We claim the ornamental design for a medicament delivery device, as shown and described.

DESCRIPTION

FIG. 1 is a top plan view of the claimed design;
FIG. 2 is a front elevation view thereof;
FIG. 3 is a right side elevation view thereof;
FIG. 4 is a bottom plan view thereof;
FIG. 5 is a bottom perspective view thereof; and,
FIG. 6 is a perspective view thereof.
The dash dot lines immediately adjacent to the claimed area represent the boundaries of the claimed design. The broken lines in the figures illustrate the portions of the design and environment that form no part of the claimed design. None of the broken lines form any part of the claimed design.

1 Claim, 6 Drawing Sheets



(56)

References Cited

U.S. PATENT DOCUMENTS

D318,526 S * 7/1991 Chaney D23/382
 5,092,842 A 3/1992 Bechtold et al.
 5,104,380 A 4/1992 Holman et al.
 D326,434 S * 5/1992 Levy D11/222
 5,112,317 A 5/1992 Michel
 5,279,585 A 1/1994 Balkwill
 5,304,152 A 4/1994 Sams
 5,674,204 A 10/1997 Chanoch
 5,743,889 A 4/1998 Sams
 D405,520 S * 2/1999 Birdsell D23/381
 5,921,966 A 7/1999 Bendek et al.
 5,957,896 A 9/1999 Bendek et al.
 6,001,082 A * 12/1999 Dair A61M 5/31525
 604/187
 6,221,046 B1 4/2001 Burroughs et al.
 D451,595 S * 12/2001 Chen D23/382
 D470,885 S 2/2003 Tahara
 D479,080 S 9/2003 Damiano
 D492,027 S 6/2004 Tyce et al.
 D496,336 S 9/2004 Wang
 D501,253 S 1/2005 Bainton
 D503,797 S 4/2005 Tyce
 D540,465 S 4/2007 Bainton
 D545,895 S 7/2007 Okutani
 D599,010 S 8/2009 Tyce
 D599,011 S 8/2009 Tyce
 D626,231 S * 10/2010 Perchik D24/145
 7,905,867 B2 3/2011 Veasey et al.
 D645,953 S * 9/2011 Peterson D23/411
 D654,537 S 2/2012 Hung
 D657,436 S * 4/2012 Tsai D22/122
 D665,304 S 8/2012 Takeda
 D676,548 S 2/2013 Pala et al.
 D688,790 S 8/2013 Guarraia et al.
 D688,791 S * 8/2013 Guarraia D24/113

8,512,297 B2 8/2013 Veasey et al.
 D689,395 S 9/2013 Chan
 D696,771 S 12/2013 Schneider et al.
 D703,314 S 4/2014 Schneider et al.
 8,740,860 B2 6/2014 Theucher
 D716,442 S 10/2014 Magome et al.
 D717,428 S 11/2014 Sendatzki et al.
 8,926,570 B2 1/2015 Chung
 D722,158 S 2/2015 Magome et al.
 D728,420 S 5/2015 Leung
 D741,271 S 10/2015 Noack
 D743,538 S 11/2015 Sanders et al.
 D746,444 S 12/2015 Jones
 D752,210 S * 3/2016 Amend Kwasnik D24/113
 D760,370 S * 6/2016 Herbst D23/370
 D773,038 S 11/2016 Tanner et al.
 D773,646 S 12/2016 Amend Kwasnik et al.
 D773,650 S 12/2016 Fourt et al.
 D777,908 S 1/2017 Amend Kwasnik et al.
 D780,621 S * 3/2017 Gardner D11/221
 2013/0131601 A1 5/2013 Pommereau et al.
 2014/0163478 A1 6/2014 Hoppe et al.
 2014/0249482 A1 9/2014 Wieselblad
 2015/0025473 A1 1/2015 Banik et al.
 2015/0073350 A1 3/2015 Einwachter
 2015/0080807 A1 3/2015 Schneider et al.
 2015/0356273 A1 12/2015 Cave
 2016/0114107 A1 4/2016 Soerensen et al.

OTHER PUBLICATIONS

U.S. Appl. No. 29/567,883, filed Jun. 13, 2016, Chuvashova et al.
 U.S. Appl. No. 29/567,885, filed Jun. 13, 2016, Chuvashova et al.
 U.S. Appl. No. 29/567,881, filed Jun. 13, 2016, Chuvashova, Natalia.
 International Search Report & Written Opinion dated Feb. 18, 2016 in Int'l PCT Patent Application Serial No. PCT/EP2015/077139.

* cited by examiner

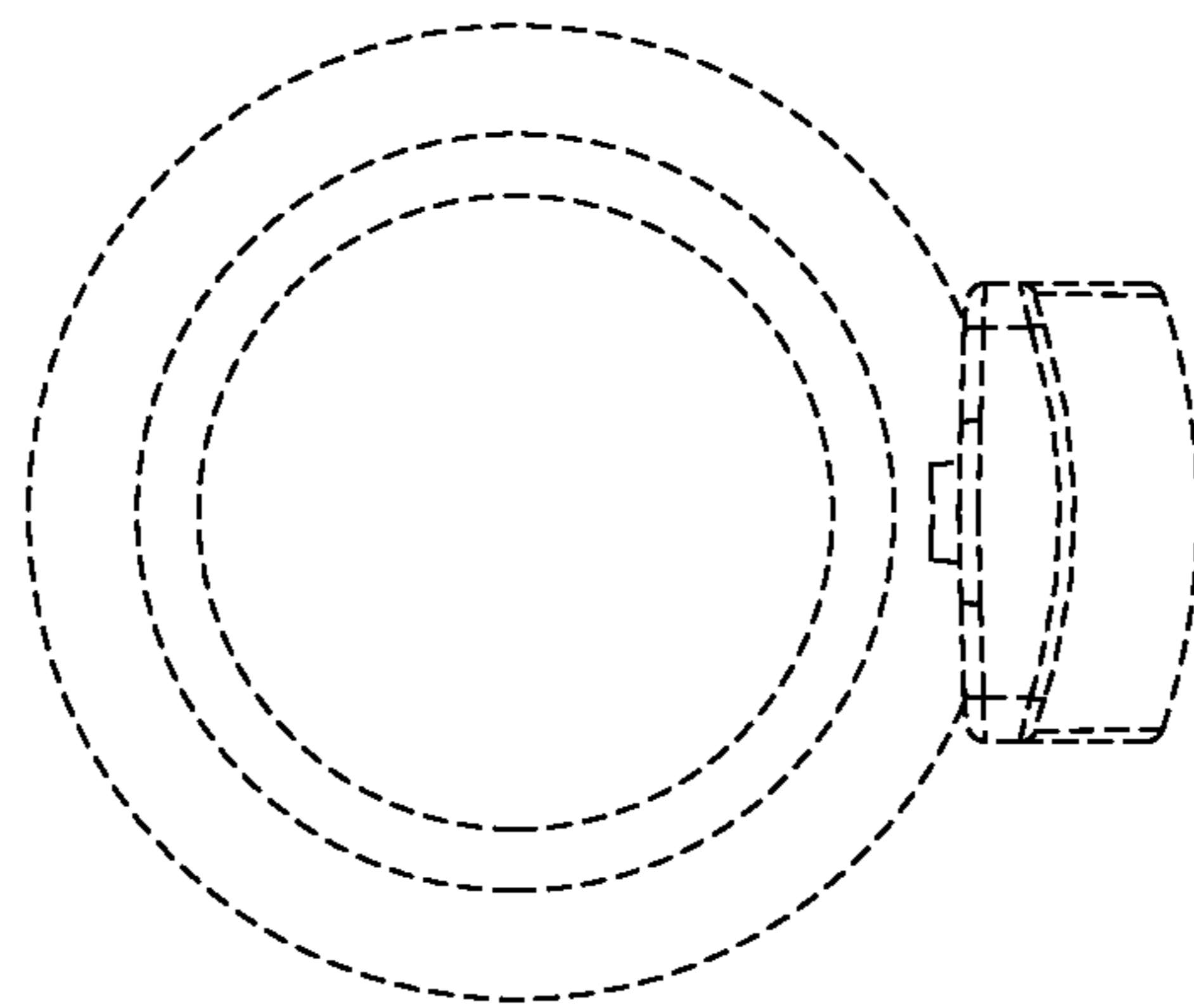


FIG. 1

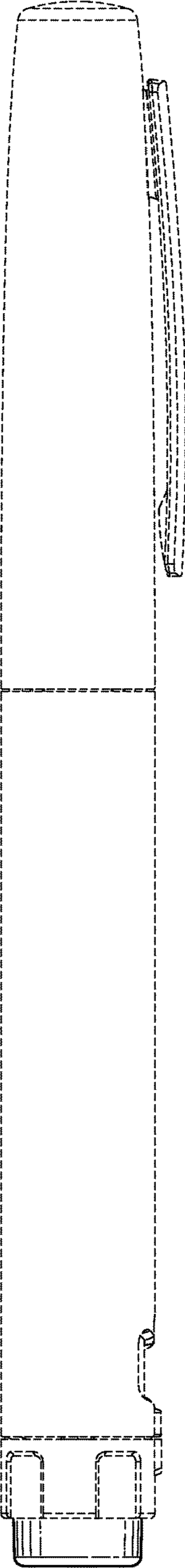


FIG. 2

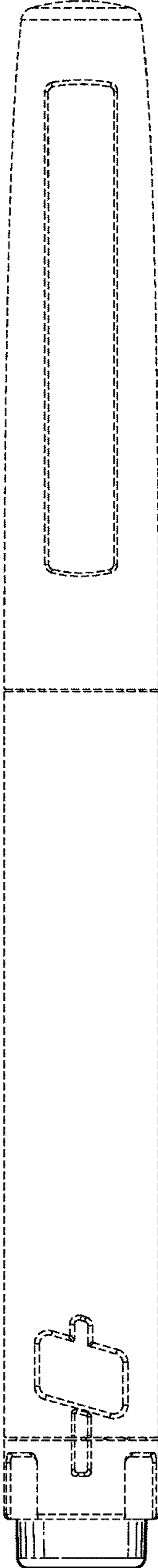


FIG. 3

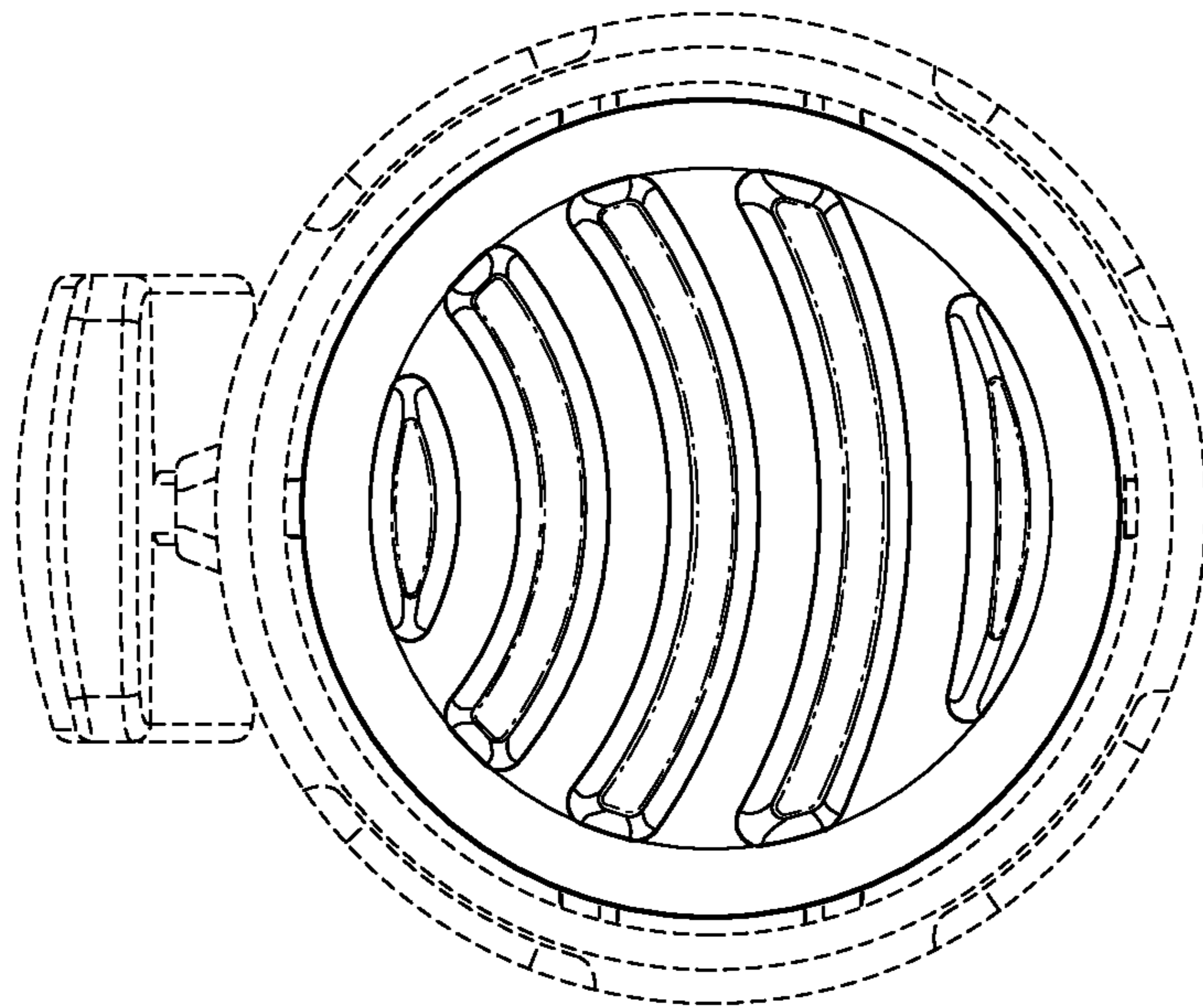


FIG. 4

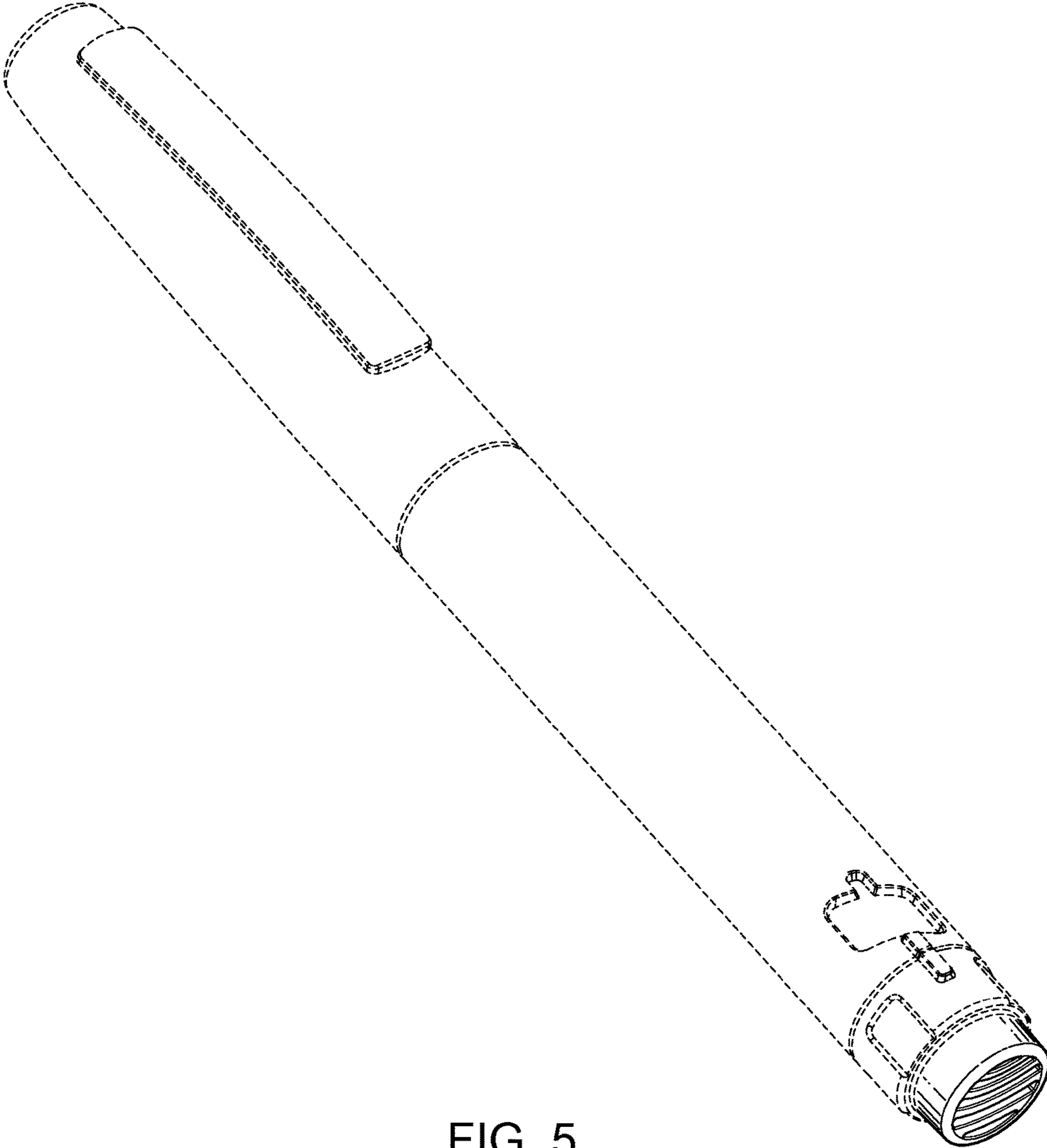


FIG. 5

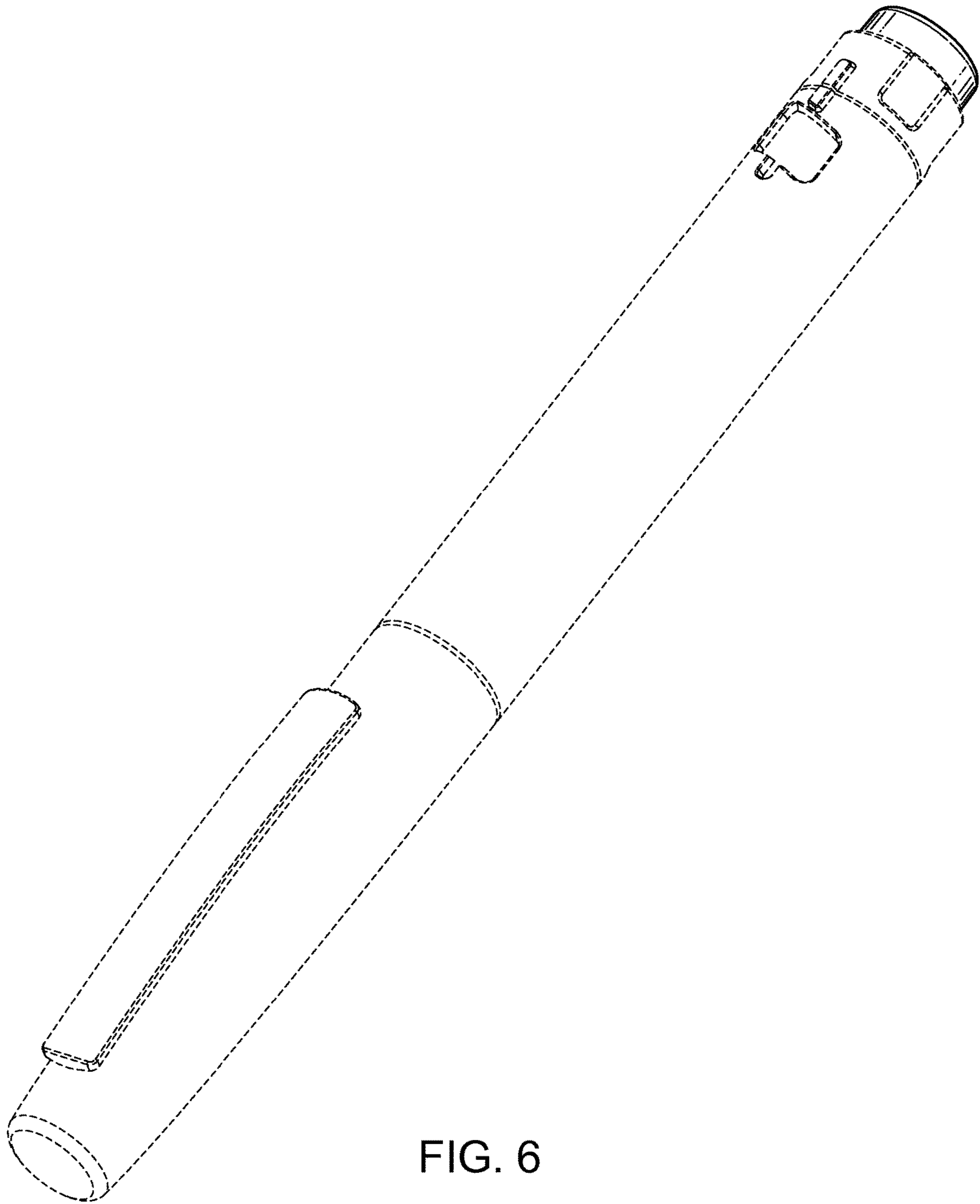


FIG. 6