



US00D820437S

(12) **United States Design Patent** (10) **Patent No.:** **US D820,437 S**
Chuvashova et al. (45) **Date of Patent:** **** Jun. 12, 2018**

(54) **MEDICAMENT DELIVERY DEVICE**

(71) Applicant: **Carebay Europe Ltd., Sliema (MT)**

(72) Inventors: **Natalia Chuvashova, Nacka (SE); Thomas Bergens, Ingaro (SE); Anders Wieselblad, Stockholm (SE)**

(73) Assignee: **Carebay Europe Ltd., Sliema (MT)**

(**) Term: **15 Years**

(21) Appl. No.: **29/567,878**

(22) Filed: **Jun. 13, 2016**

Related U.S. Application Data

(63) Continuation of application No. PCT/EP2015/077139, filed on Nov. 19, 2015.

Foreign Application Priority Data

Dec. 12, 2014 (SE) 1451528

(51) **LOC (11) Cl.** **24-02**

(52) **U.S. Cl.**
USPC **D24/113**

(58) **Field of Classification Search**

USPC D24/112-114, 133, 186, 127-131;
606/181, 185; 604/264, 272, 115, 232,
604/187, 158, 164.08, 192, 263, 163, 181,
604/184, 198, 227; 600/101, 139, 143;
128/200.24, 207.14, 207.15;
D19/115-123, 177, 193

CPC A61M 5/3156; A61M 5/31591; A61M
5/3155; A61M 5/3157; A61M 5/24;
A61M 5/31501; A61M 5/31551; A61M
5/31585; A61M 2005/2407; A61M
2005/2492; A61M 2205/581; A61M
2205/582

See application file for complete search history.

(56) **References Cited**

U.S. PATENT DOCUMENTS

D31,147 S * 7/1899 Bryant D13/171
2,632,445 A 3/1953 Kas, Sr.
2,660,342 A 11/1953 Ruf
3,334,788 A 8/1967 Hamilton
4,413,760 A 11/1983 Paton
4,475,905 A 10/1984 Himmelstrup

(Continued)

FOREIGN PATENT DOCUMENTS

WO WO-2013/156345 A2 10/2013
WO WO-2016/091554 A1 6/2016

OTHER PUBLICATIONS

U.S. Appl. No. 29/567,883, filed Jun. 13, 2016, Chuvashova et al.

(Continued)

Primary Examiner — David G Muller

Assistant Examiner — Nathan M Johnston

(74) *Attorney, Agent, or Firm* — Foley & Lardner LLP;
Nicola A. Pisano

(57) **CLAIM**

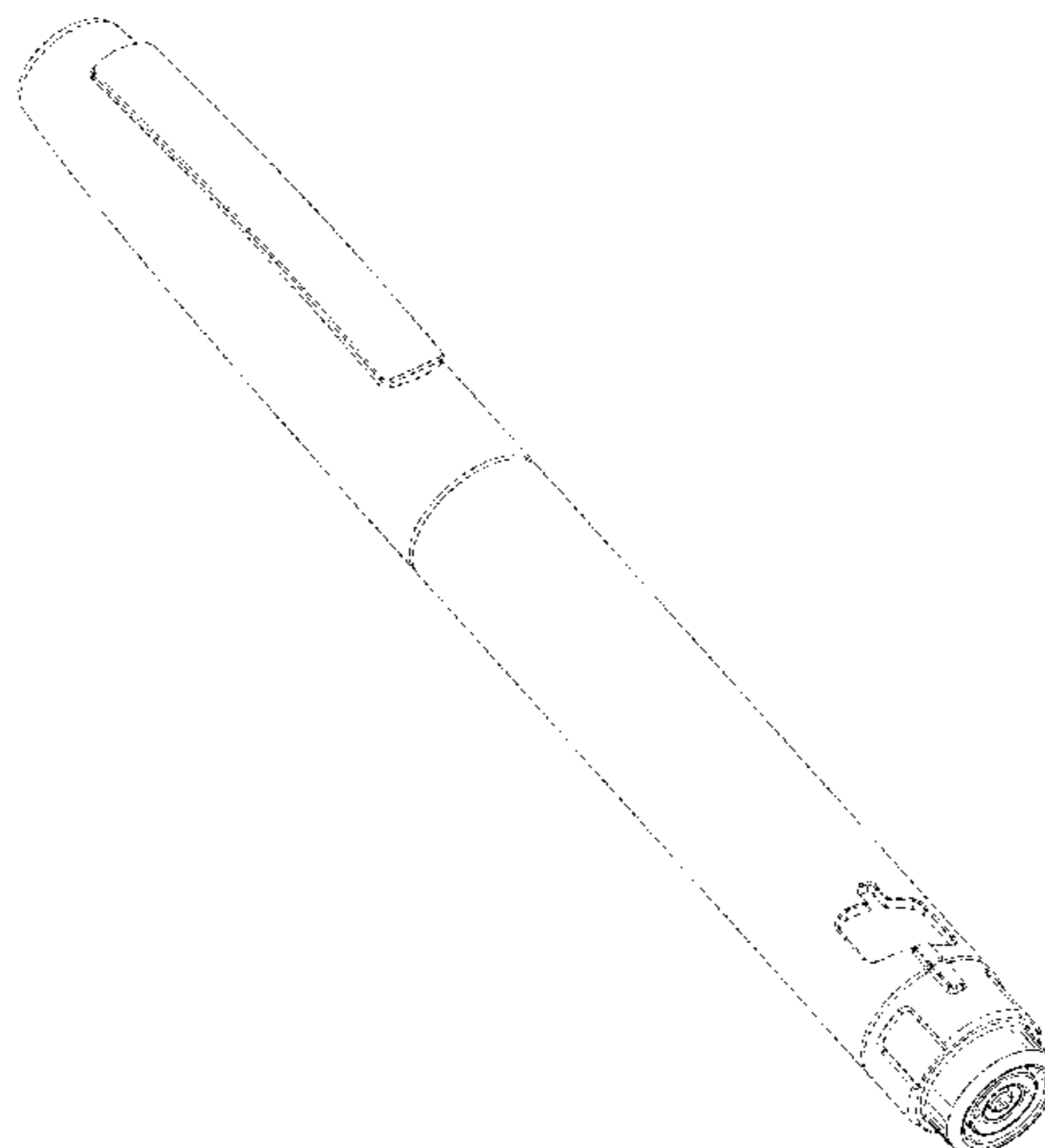
We claim the ornamental design for a medicament delivery device, as shown and described.

DESCRIPTION

FIG. 1 is a top plan view of the claimed design;
FIG. 2 is a front elevation view thereof;
FIG. 3 is a right side elevation view thereof;
FIG. 4 is a bottom elevation view thereof;
FIG. 5 is a bottom perspective view thereof; and,
FIG. 6 is a perspective view thereof.

The ornamental design which is claimed is shown in solid lines in the drawings. The broken line showing of medicament delivery device is included for the purpose of illustrating portions of the “article” and forms no part of the claimed design.

1 Claim, 6 Drawing Sheets



(56)

References Cited

U.S. PATENT DOCUMENTS

4,498,904 A 2/1985 Turner et al.
 4,592,745 A 6/1986 Rex et al.
 4,659,327 A 4/1987 Bennett et al.
 4,883,472 A 11/1989 Michel
 4,936,833 A 6/1990 Sams
 D309,857 S * 8/1990 Fenton D8/367
 4,968,299 A 11/1990 Ahlstrand et al.
 5,092,842 A 3/1992 Bechtold et al.
 5,104,380 A 4/1992 Holman et al.
 5,112,317 A 5/1992 Michel
 5,279,585 A 1/1994 Balkwill
 5,304,152 A 4/1994 Sams
 5,674,204 A 10/1997 Chanoch
 5,743,889 A 4/1998 Sams
 5,921,966 A 7/1999 Bendek et al.
 5,957,896 A 9/1999 Bendek et al.
 6,221,046 B1 4/2001 Burroughs et al.
 D470,885 S * 2/2003 Tahara D19/117
 D479,080 S * 9/2003 Damiano D6/580
 D496,336 S * 9/2004 Wang D13/171
 D545,895 S * 7/2007 Okutani D19/117
 7,905,867 B2 3/2011 Veasey et al.
 D654,537 S * 2/2012 Hung D19/117

D665,304 S * 8/2012 Takeda D11/220
 8,512,297 B2 8/2013 Veasey et al.
 D689,395 S * 9/2013 Chan D11/220
 8,740,860 B2 6/2014 Theucher
 D716,442 S 10/2014 Magome et al.
 D717,428 S 11/2014 Sendatzki et al.
 8,926,470 B2 1/2015 Chung
 D728,420 S * 5/2015 Leung D11/220
 D741,271 S * 10/2015 Noack D13/174
 D743,538 S 11/2015 Sanders et al.
 D746,444 S 12/2015 Jones
 D752,210 S * 3/2016 Amend Kwasnik D24/113
 D773,650 S * 12/2016 Fourt D24/113

OTHER PUBLICATIONS

U.S. Appl. No. 29/567,885, filed Jun. 13, 2016, Chuvashova et al.
 U.S. Appl. No. 29/567,881, filed Jun. 13, 2016, Chuvashova, Natalia.
 U.S. Appl. No. 29/567,882, filed Jun. 13, 2016, Chuvashova, Natalia.
 International Search Report & Written Opinion dated Feb. 18, 2016 in Int'l PCT Patent Application Serial No. PCT/EP2015/077139.

* cited by examiner

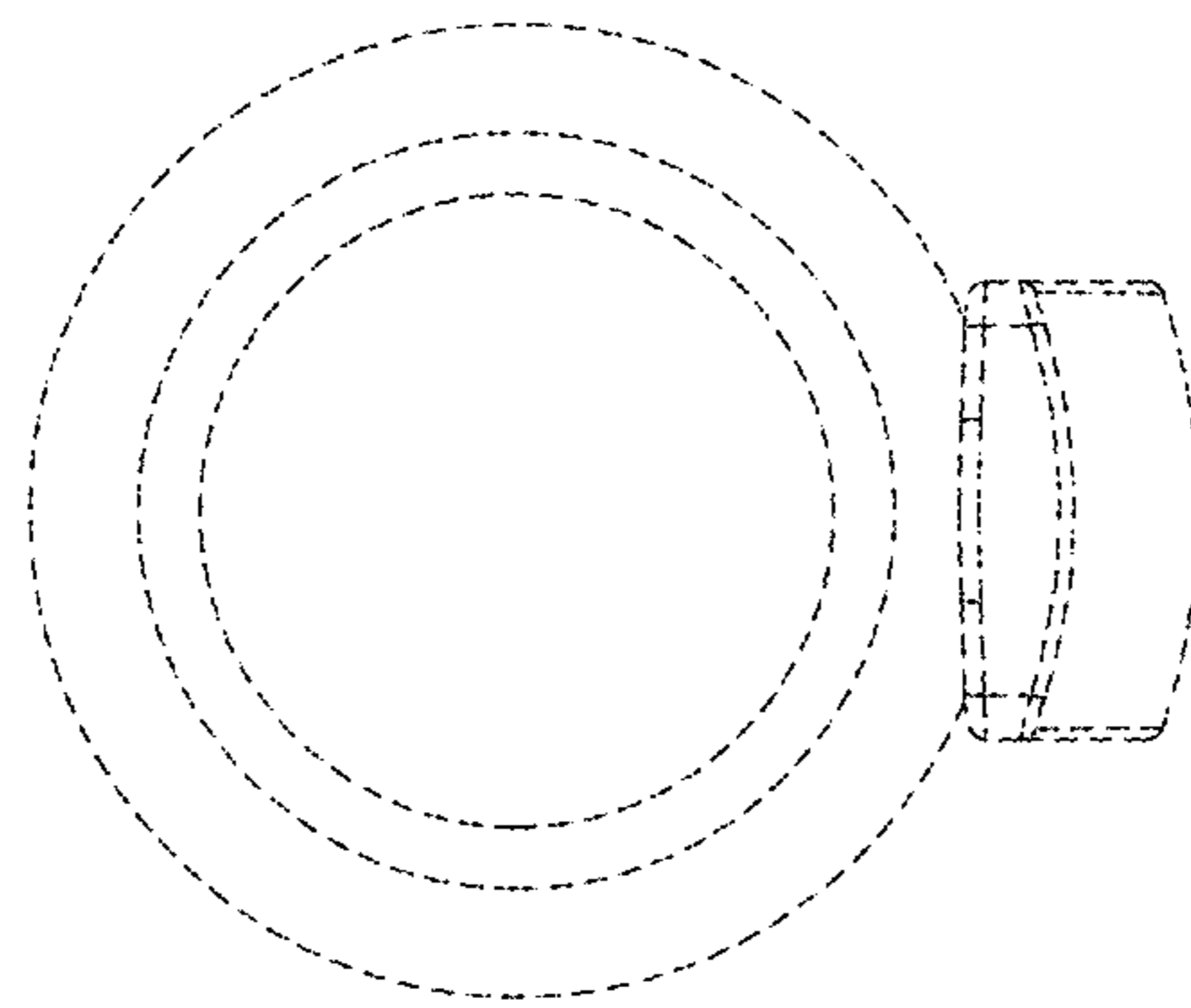


FIG. 1

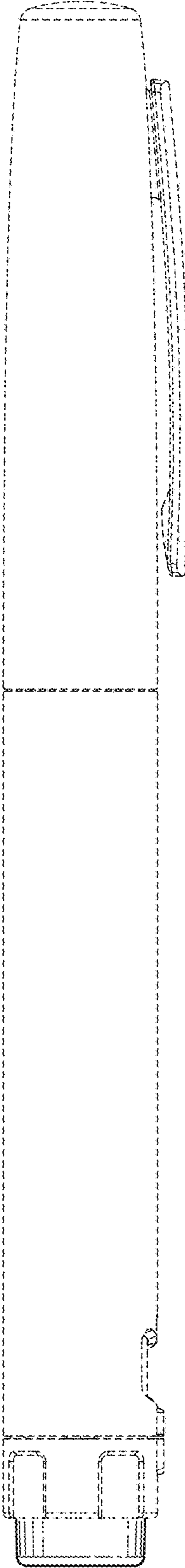


FIG. 2

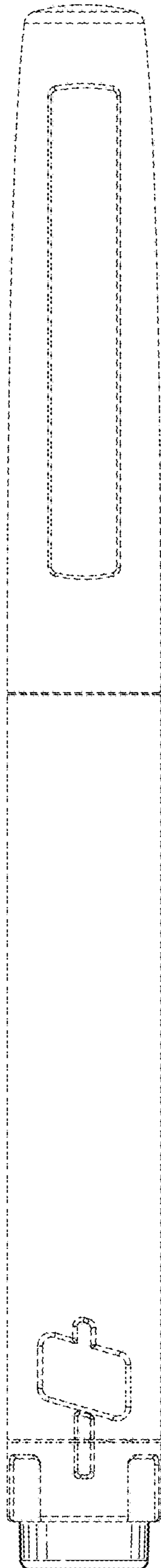


FIG. 3

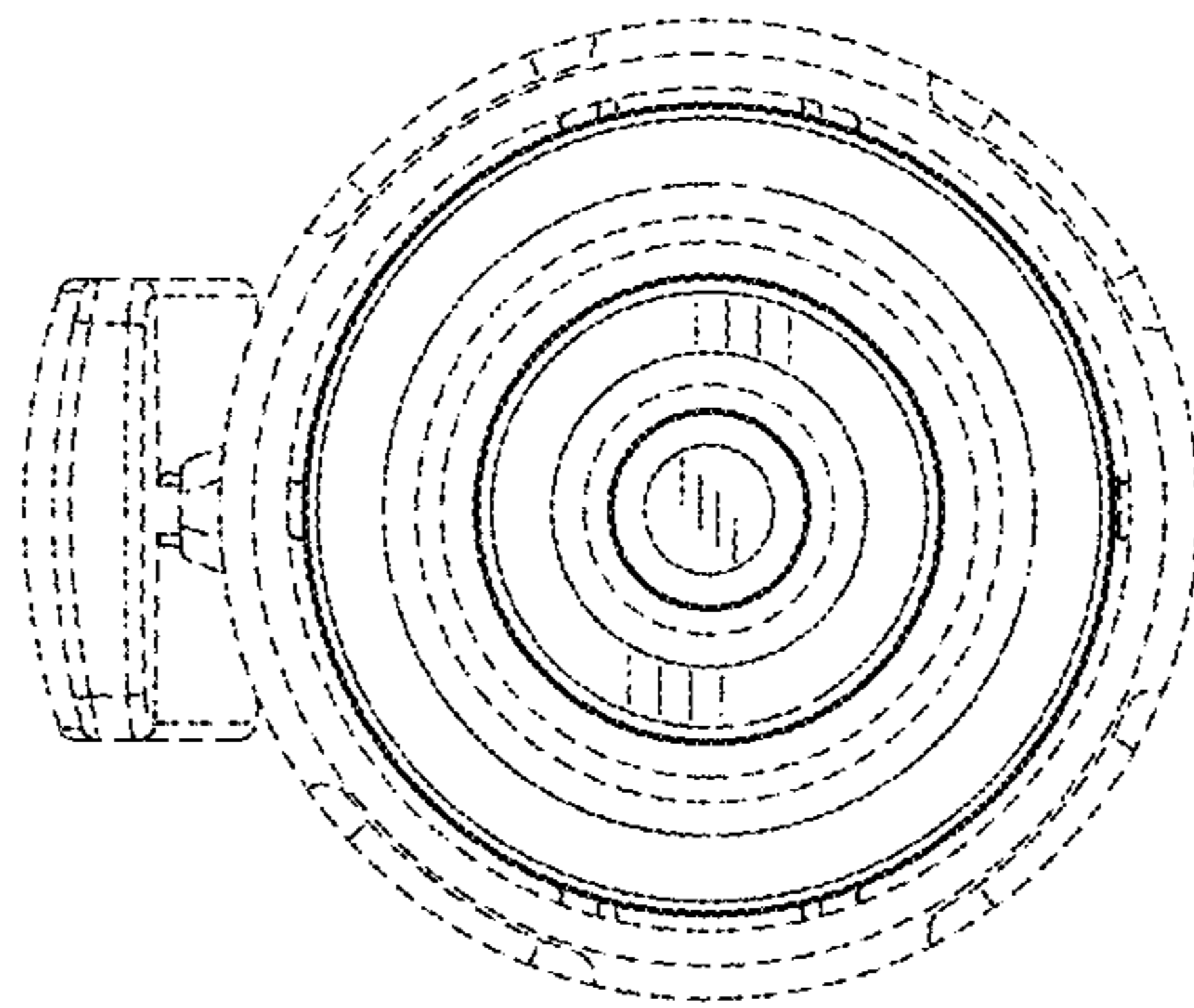


FIG. 4

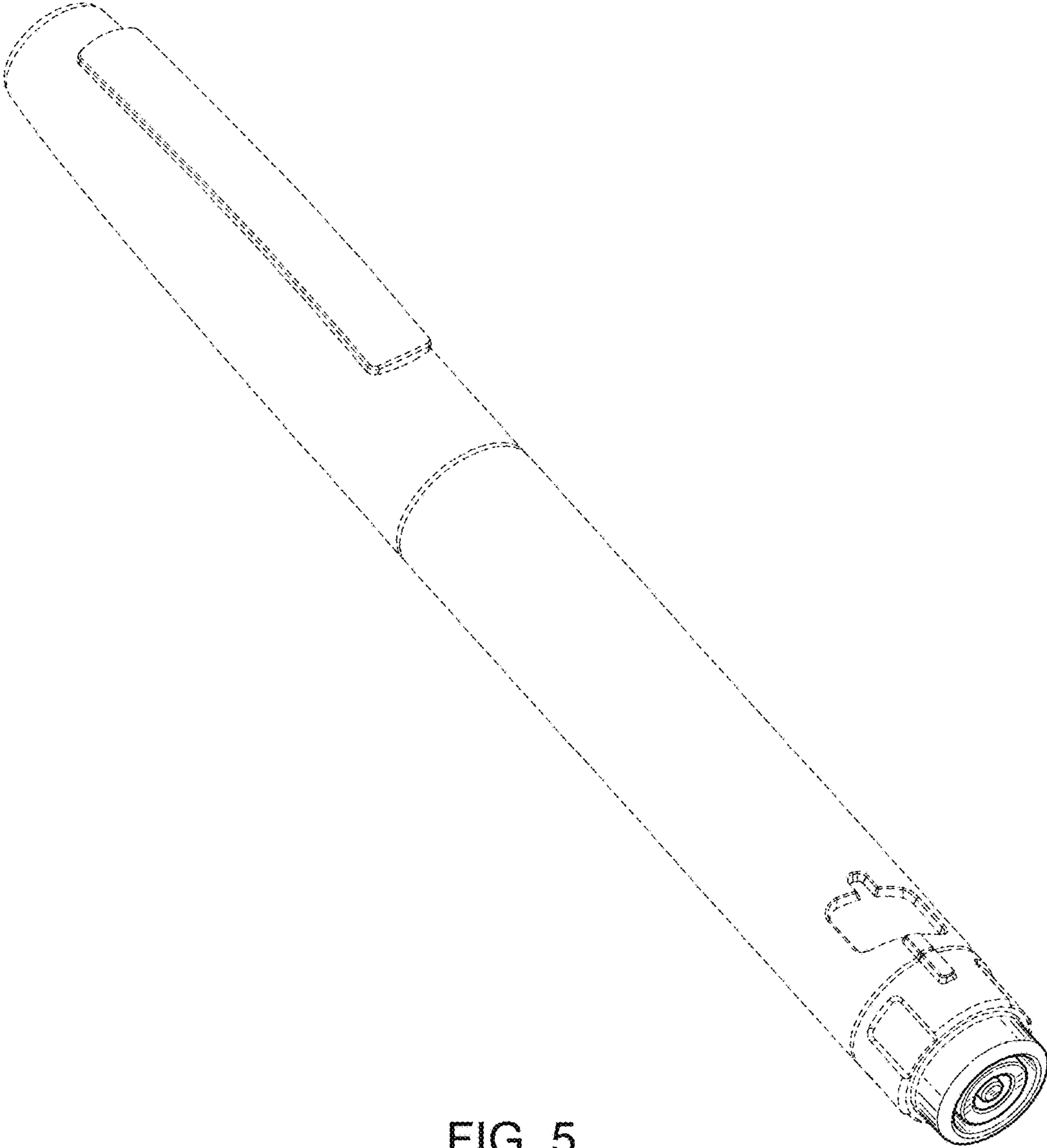


FIG. 5

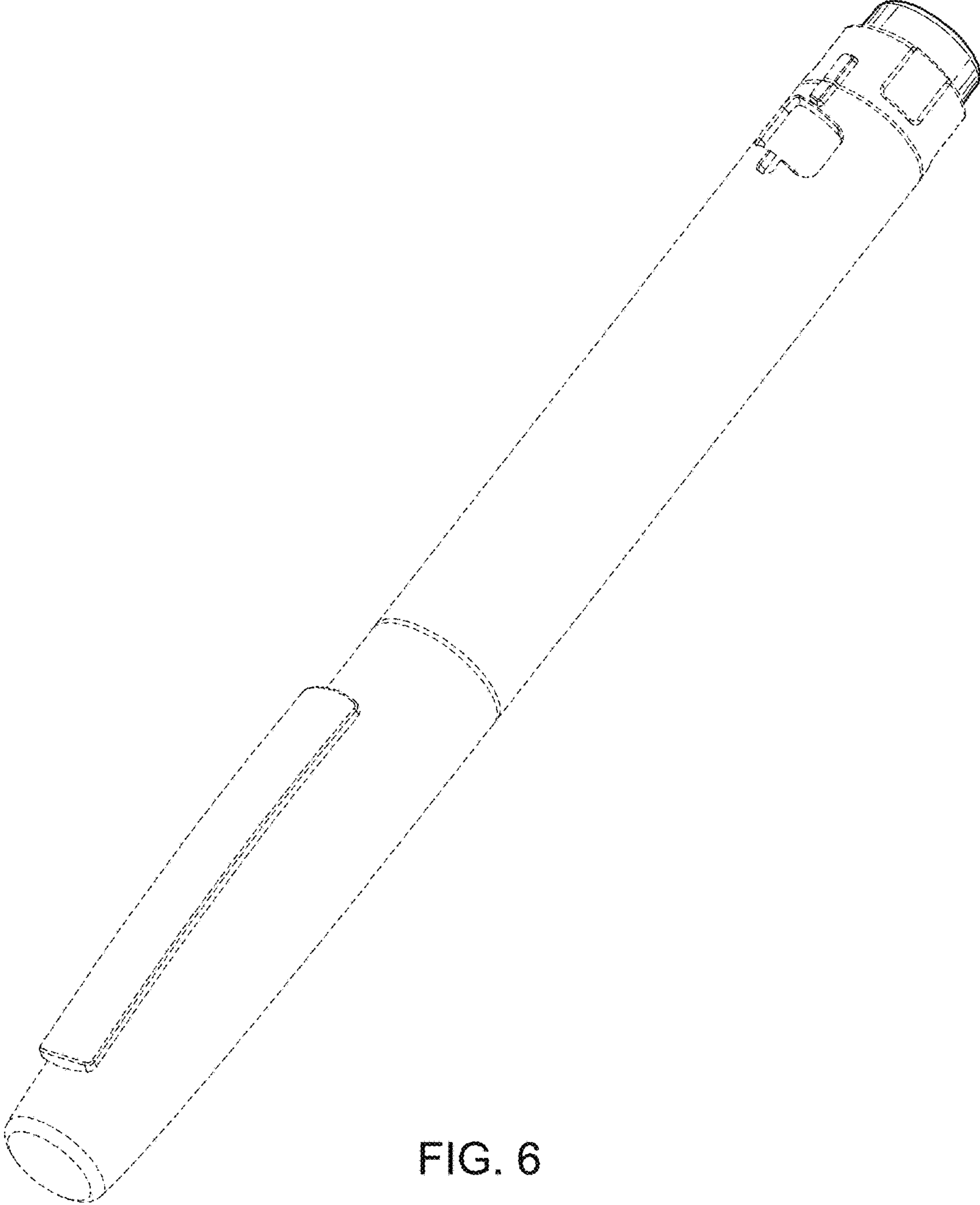


FIG. 6