



US00D820436S

(12) **United States Design Patent**
Kheradpir et al.

(10) **Patent No.:** **US D820,436 S**
(45) **Date of Patent:** **** Jun. 12, 2018**

- (54) **SUCTION TOOL**
- (71) Applicants: **Leila Kheradpir**, Toronto (CA); **Kyle Richard Dupont**, Toronto (CA); **Jakub Jankowski**, Toronto (CA); **Suman Uthayanathan**, Toronto (CA)
- (72) Inventors: **Leila Kheradpir**, Toronto (CA); **Kyle Richard Dupont**, Toronto (CA); **Jakub Jankowski**, Toronto (CA); **Suman Uthayanathan**, Toronto (CA)
- (73) Assignee: **SYNAPTIVE MEDICAL (BARBADOS) INC.**, Bridgetown (BB)
- (**) Term: **15 Years**
- (21) Appl. No.: **29/588,341**
- (22) Filed: **Dec. 20, 2016**
- (51) **LOC (11) Cl.** **24-02**
- (52) **U.S. Cl.**
USPC **D24/112**
- (58) **Field of Classification Search**
USPC D24/108, 112, 114, 127, 128, 129, 130, D24/133, 141, 146, 147, 152, 186, 214, D24/215; D8/93, 97, 300, 310, 311; D23/223, 262
CPC A61B 1/00094; A61M 2005/1583; A61M 2005/1586; A61M 2005/3277; A61M 5/158; A61M 5/1582; A61M 5/3243
See application file for complete search history.

(56) **References Cited**

U.S. PATENT DOCUMENTS

D233,265 S *	10/1974	Walchle	D24/113
D241,476 S *	9/1976	Lahay	D24/112
D275,316 S *	8/1984	Hayes	D23/262
D420,132 S *	2/2000	Bucholz	D24/140
D457,604 S *	5/2002	Chen	D23/262

D493,348 S *	7/2004	Bertani	D15/142
D498,844 S *	11/2004	Diamond	D24/130
7,491,198 B2 *	2/2009	Kockro	A61B 90/36 600/117
7,643,862 B2 *	1/2010	Schoenefeld	A61B 90/36 600/407
D619,247 S *	7/2010	Loe, Jr.	D24/130
8,177,770 B2 *	5/2012	Rasmussen	A61M 25/0097 604/523
8,205,616 B2 *	6/2012	Miyazaki	A61B 90/50 128/845
8,357,165 B2 *	1/2013	Grant	A61B 90/36 606/86 R
D687,542 S *	8/2013	Esposito	D24/112
8,800,939 B2 *	8/2014	Karsak	A61B 17/1703 248/74.1
D726,906 S *	4/2015	Reed	D24/130
D750,223 S *	2/2016	Andino	D24/112
D751,195 S *	3/2016	Lai	D24/133
D755,368 S *	5/2016	Efinger	D24/112
D757,253 S *	5/2016	Efinger	D24/112
D780,297 S *	2/2017	Ray	D23/262

(Continued)

Primary Examiner — Sheryl Lane

Assistant Examiner — Calvin E Vansant

(74) *Attorney, Agent, or Firm* — Perry + Currier Inc.

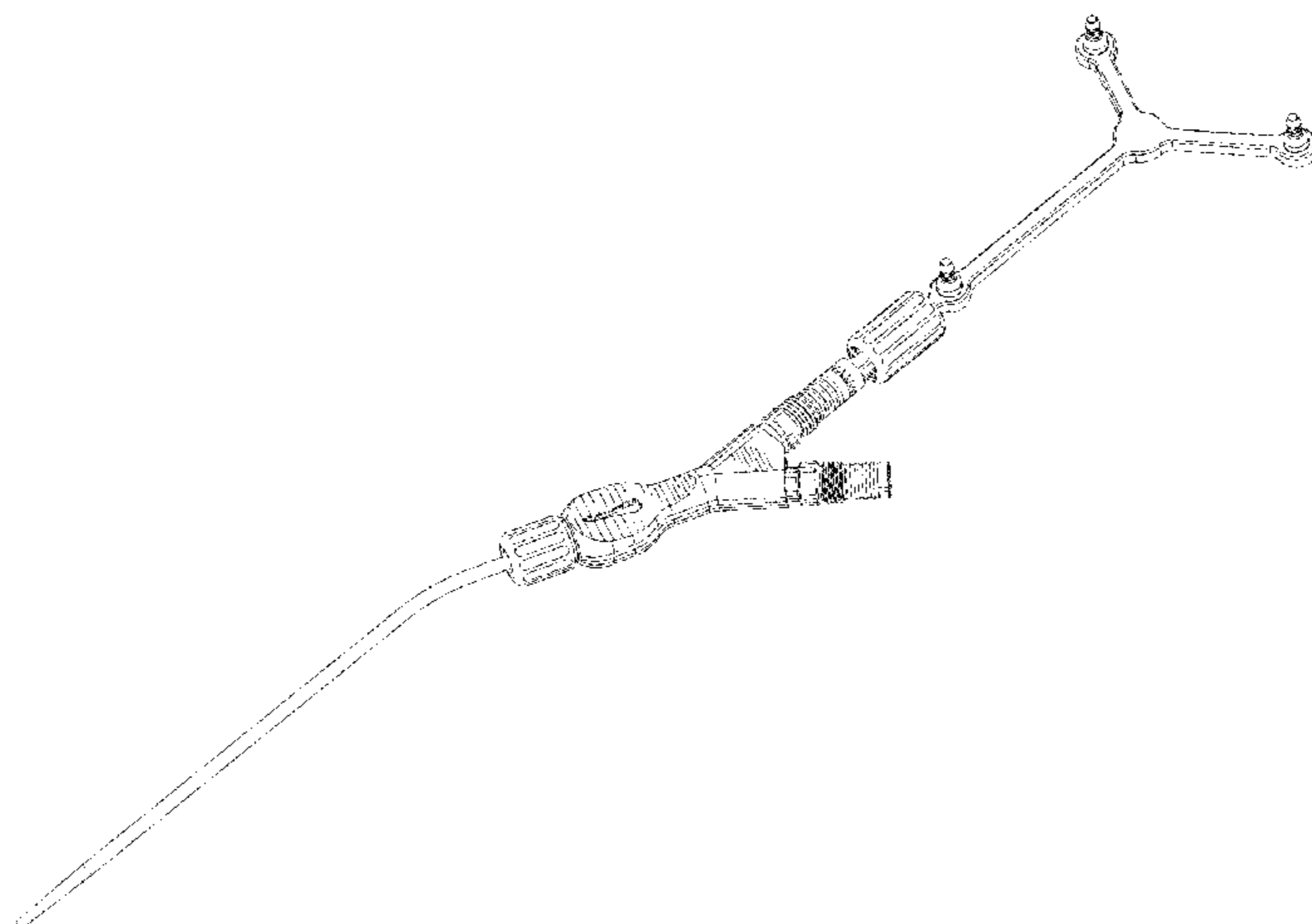
(57) **CLAIM**

We claim the ornamental design for a suction tool, as shown and described.

DESCRIPTION

FIG. 1 is a front perspective view of a suction tool, showing our new design;
 FIG. 2 is a front elevation view thereof;
 FIG. 3 is a back elevation view thereof;
 FIG. 4 is a top plan view thereof;
 FIG. 5 is a back plan view thereof;
 FIG. 6 is a right side elevation view thereof; and,
 FIG. 7 is a back perspective view thereof.

1 Claim, 7 Drawing Sheets



(56)

References Cited

U.S. PATENT DOCUMENTS

2011/0313281 A1* 12/2011 Grinberg A61B 17/16
600/424

* cited by examiner

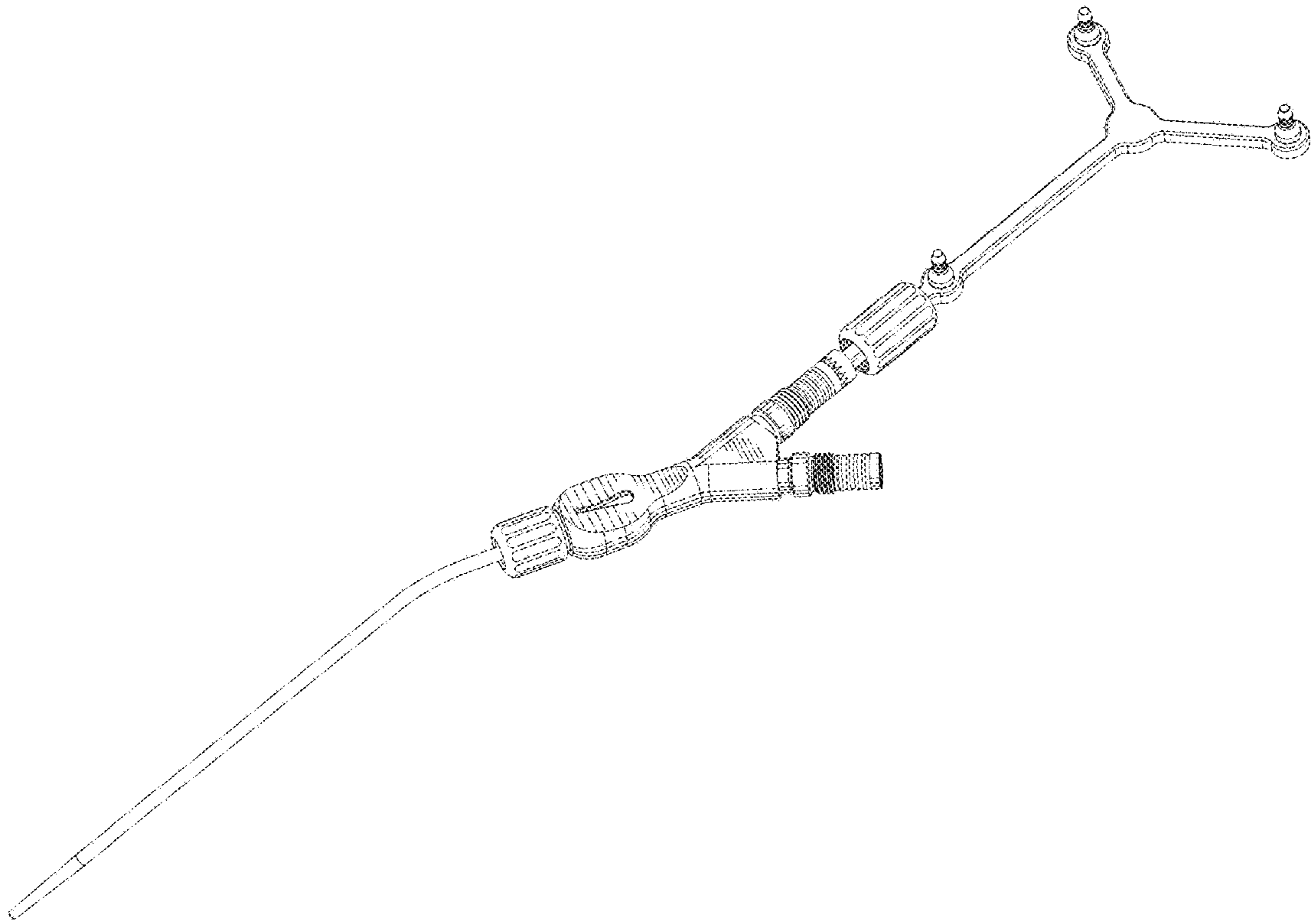


FIG.1

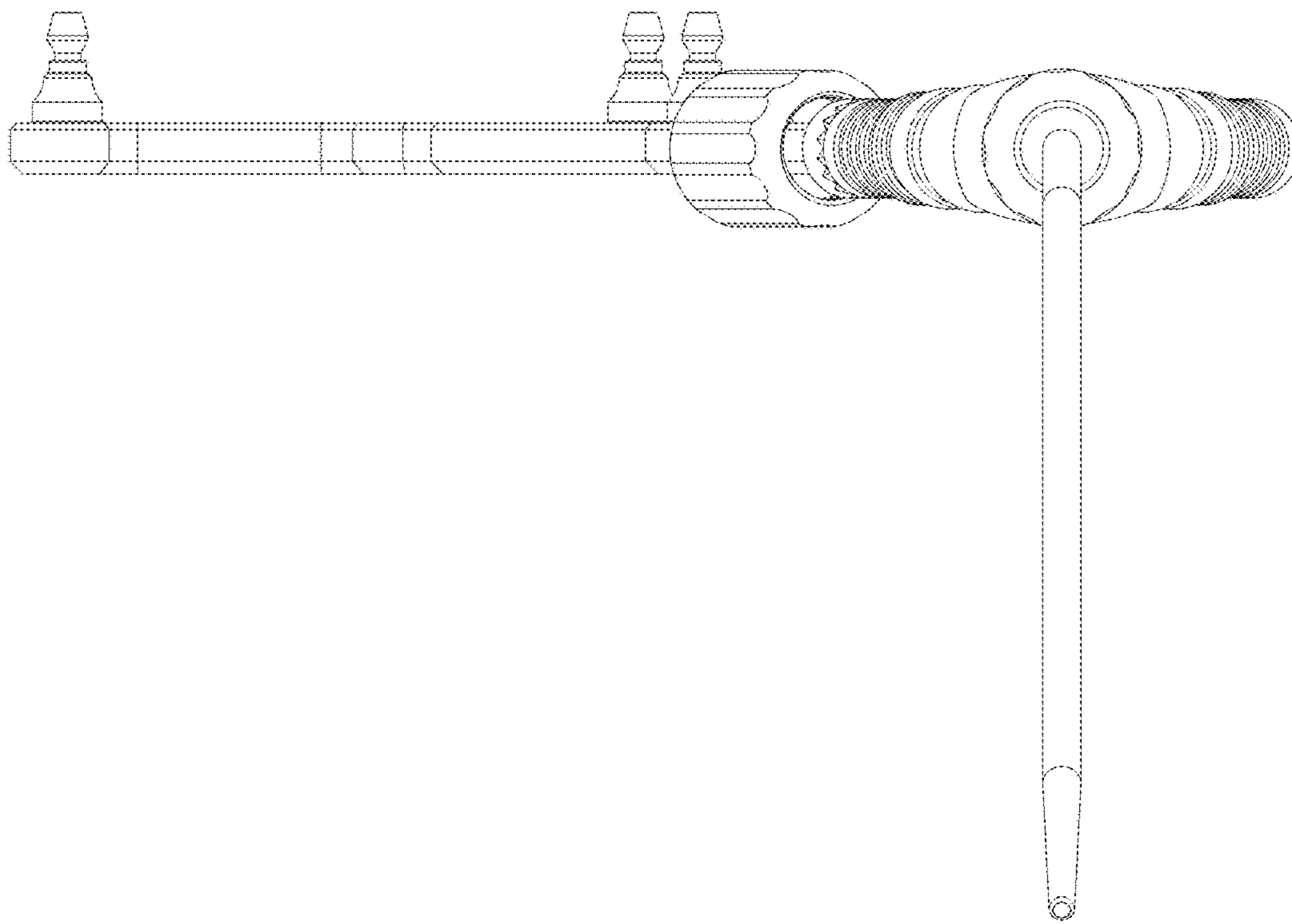


FIG.2

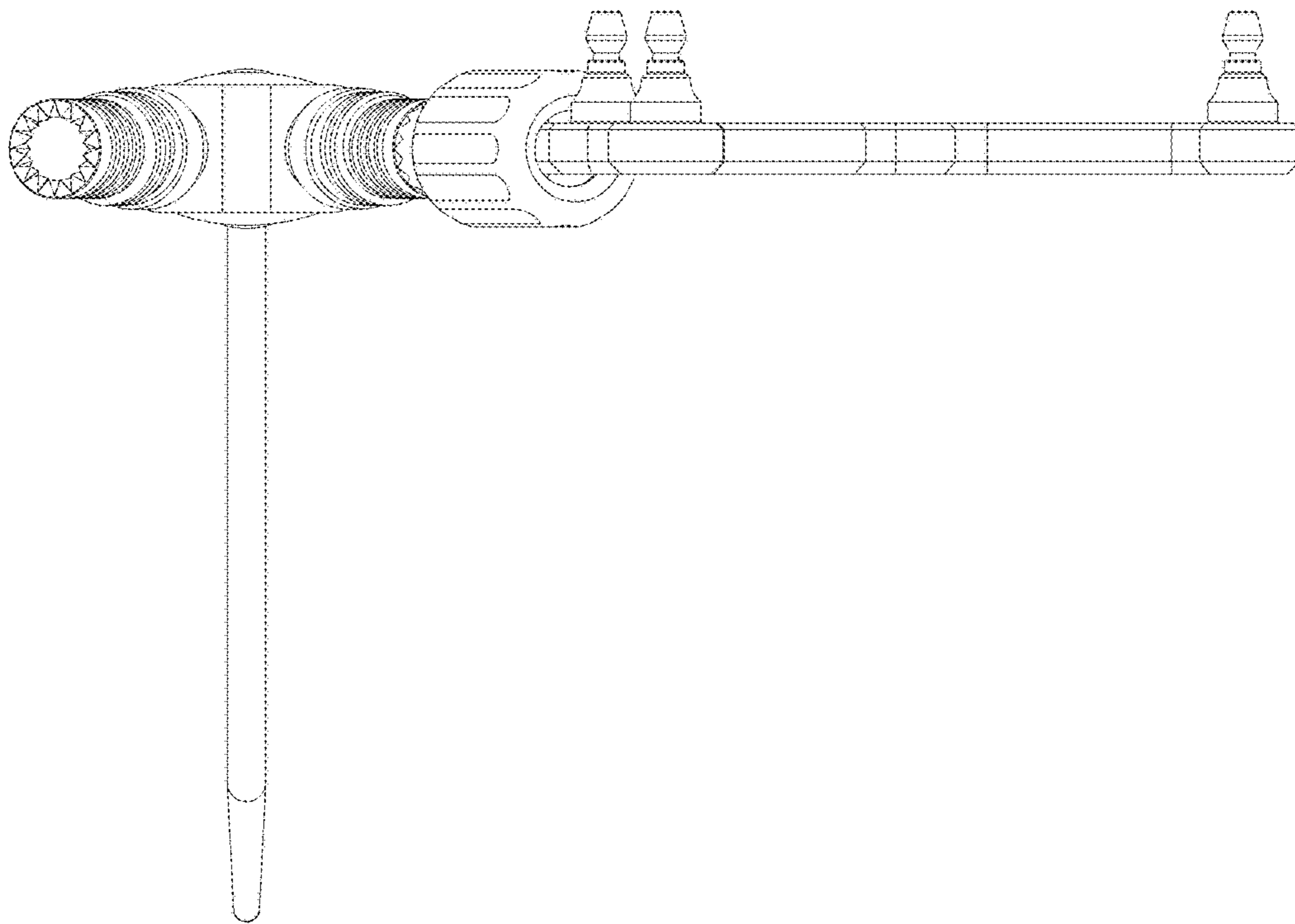


FIG.3

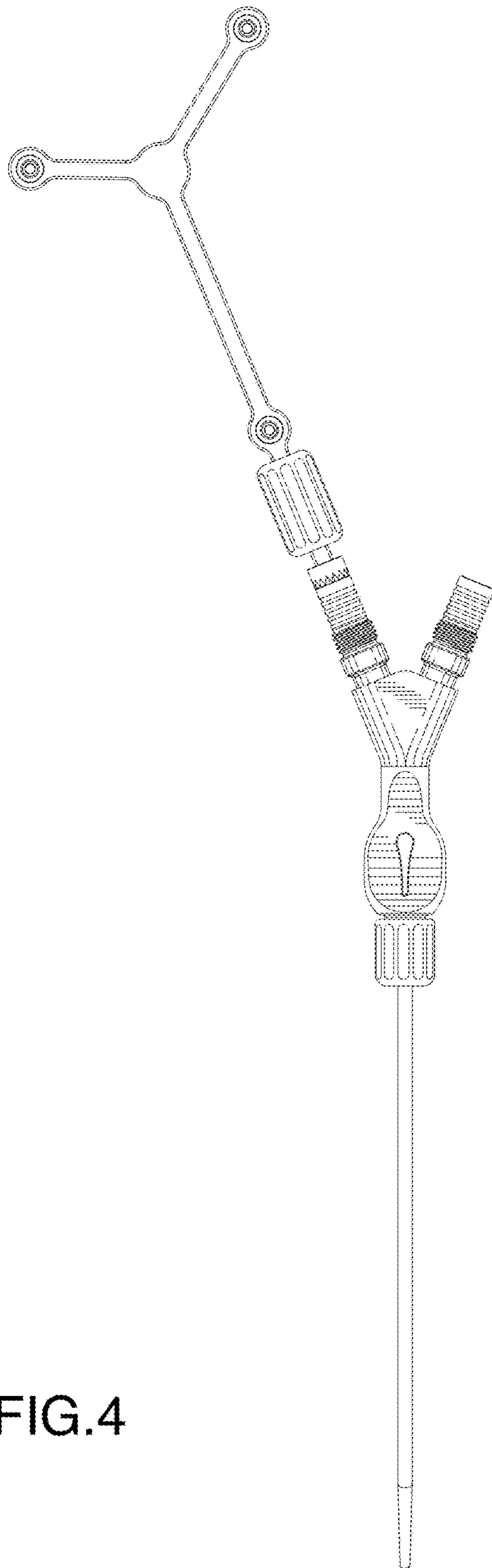


FIG.4

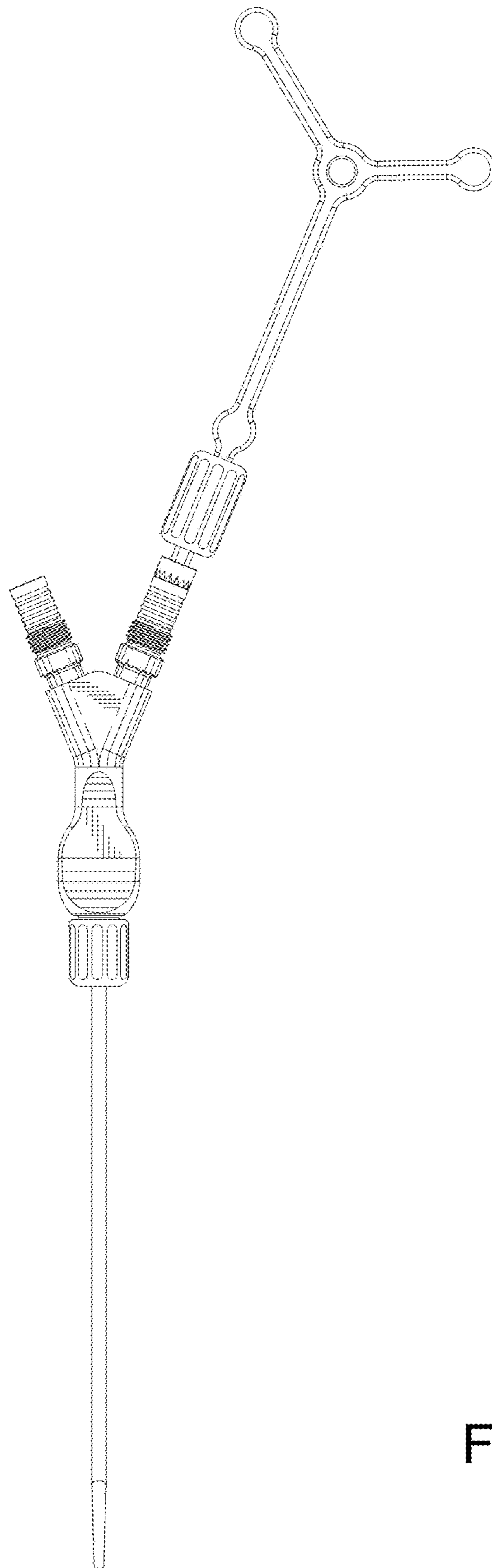


FIG.5

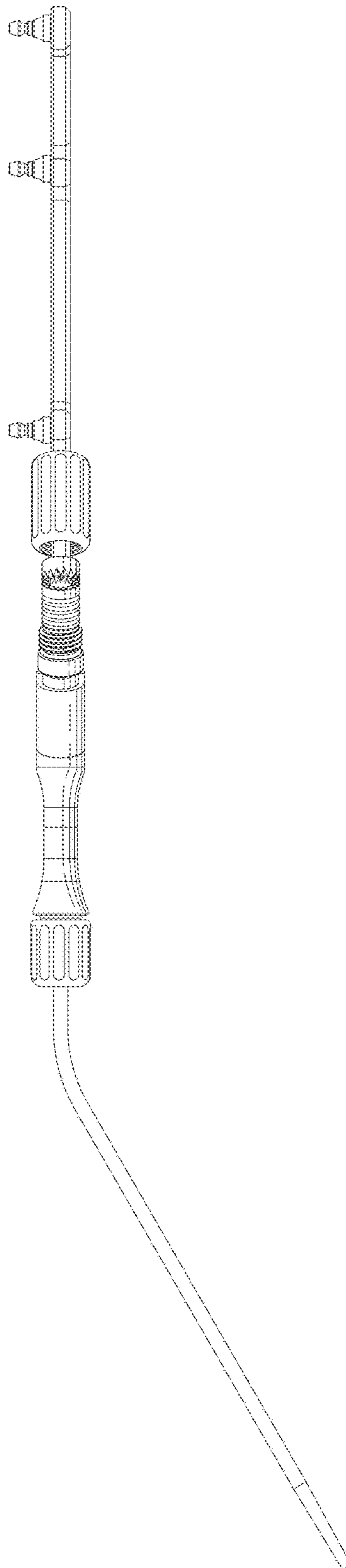


FIG.6

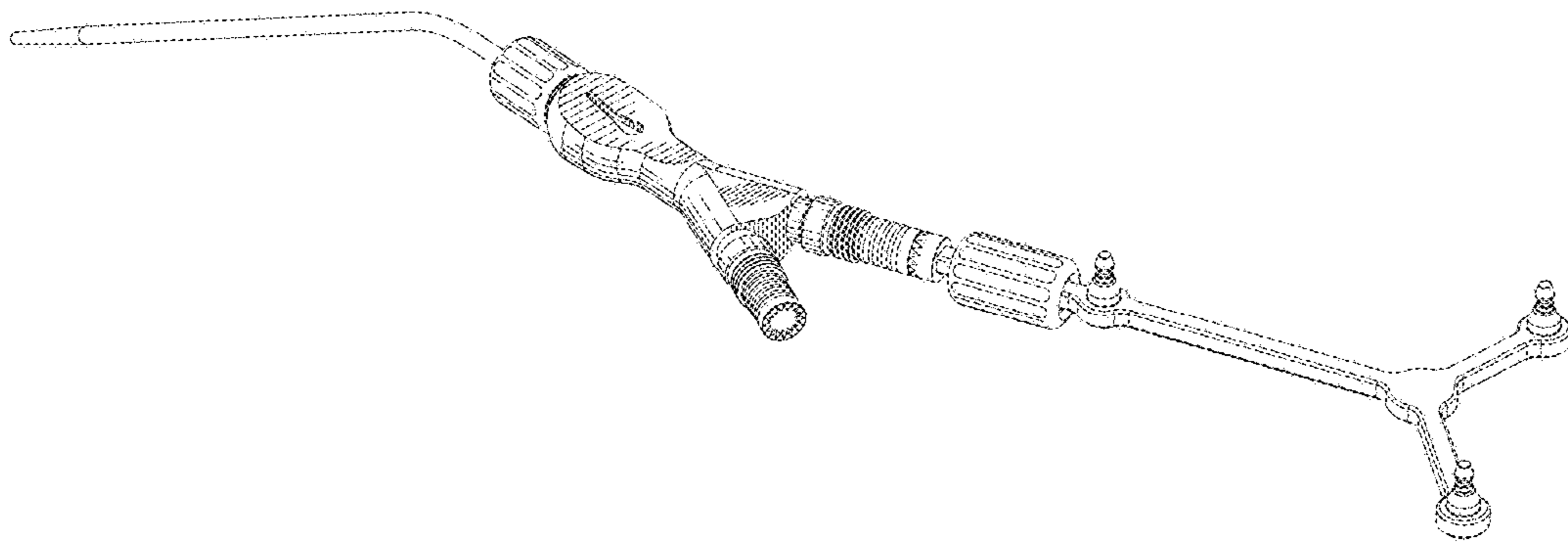


FIG.7