



US00D820433S

(12) **United States Design Patent**  
**Hillenmayer**

(10) **Patent No.:** **US D820,433 S**  
(45) **Date of Patent:** **\*\* Jun. 12, 2018**

(54) **SPACER CHAMBER WITH ACTUATOR FOR AN INHALER**

(71) Applicant: **PARI GmbH Spezialisten für effektive Inhalation, Starnberg (DE)**

(72) Inventor: **Stefan Hillenmayer, München (DE)**

(73) Assignee: **PARI GmbH Spezialisten für effektive Inhalation, Starnberg (DE)**

(\*\*) Term: **15 Years**

(21) Appl. No.: **29/587,018**

(22) Filed: **Dec. 8, 2016**

(30) **Foreign Application Priority Data**

Jun. 8, 2016 (EP) ..... 003180033

(51) **LOC (11) Cl.** ..... **29-02**

(52) **U.S. Cl.**  
USPC ..... **D24/110**

(58) **Field of Classification Search**  
USPC ..... D24/107, 108, 110, 110.1–110.5, 127, D24/164; D29/108; 128/200.14, 200.23  
CPC ..... A61M 15/0085; A61M 15/0005; A61M 11/005; A61M 11/00; A61M 11/02; A61M 11/04; A61M 5/087; A61M 5/0871; A61M 5/091; A61M 5/097; A61M 15/00; A61M 15/0065; A61M 15/0091; A61M 15/0021; A61M 15/0026; A61M 15/008; A61M 15/007; A63B 23/18

See application file for complete search history.

(56) **References Cited**

**U.S. PATENT DOCUMENTS**

D295,321 S \* 4/1988 Hallworth ..... D24/110  
D412,979 S \* 8/1999 Weinstein ..... D24/110

6,435,176 B1 \* 8/2002 Berg ..... A61M 15/0086  
128/200.14  
7,404,400 B2 \* 7/2008 Lulla ..... A61M 15/0086  
128/200.14  
D597,656 S \* 8/2009 Bird ..... D24/110  
8,528,543 B2 \* 9/2013 Barney ..... A61D 7/04  
128/200.14  
D692,122 S \* 10/2013 von Hollen ..... D24/110  
D735,316 S \* 7/2015 Steelman ..... D24/110  
D757,246 S \* 5/2016 Steelman ..... D24/110  
D777,315 S \* 1/2017 Christman ..... A61B 5/097  
D24/110  
D791,936 S \* 7/2017 Davis ..... D24/127

(Continued)

*Primary Examiner* — Karen E Kearney

*Assistant Examiner* — Aula Soroush

(74) *Attorney, Agent, or Firm* — McGuireWoods LLP

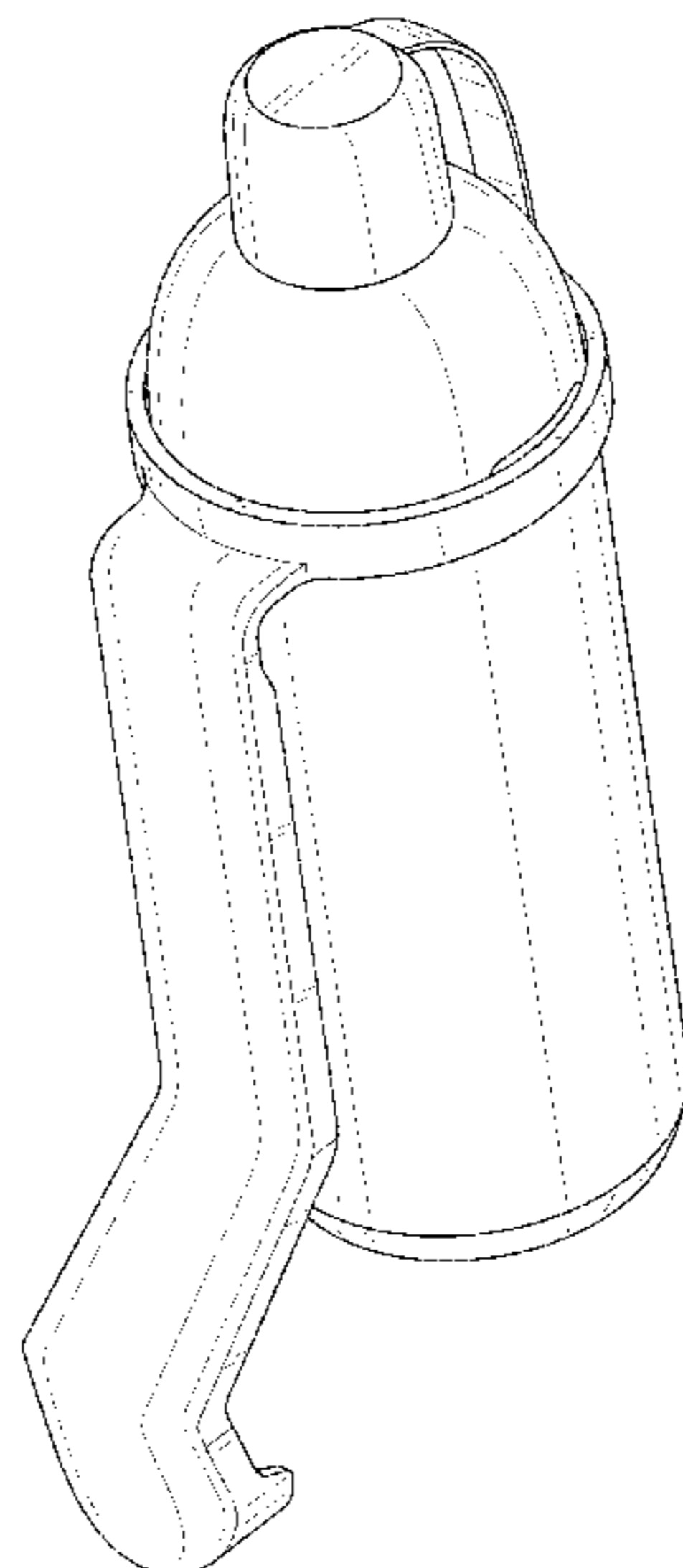
(57) **CLAIM**

The ornamental design for a spacer chamber with actuator for an inhaler, as shown and described.

**DESCRIPTION**

FIG. 1 is a left perspective view of the spacer chamber with actuator for an inhaler;  
FIG. 2 is a front view of the spacer chamber with actuator for an inhaler shown in FIG. 1;  
FIG. 3 is a rear view of the spacer chamber with actuator for an inhaler shown in FIG. 1;  
FIG. 4 is a left side view of the spacer chamber with actuator for an inhaler shown in FIG. 1;  
FIG. 5 is a right side view of the spacer chamber with actuator for an inhaler shown in FIG. 1;  
FIG. 6 is a top view of the spacer chamber with actuator for an inhaler shown in FIG. 1; and,  
FIG. 7 is a bottom view of the spacer chamber with actuator for an inhaler shown in FIG. 1.  
The broken lines in the FIGS. 2 and 7 depict portions of the spacer chamber with actuator for an inhaler that form no part of the claimed design.

**1 Claim, 7 Drawing Sheets**



(56)

**References Cited**

U.S. PATENT DOCUMENTS

2003/0205226	A1 *	11/2003	Gallem .....	A61M 15/0086 128/200.14
2004/0050869	A1 *	3/2004	Jennings .....	A61M 15/009 222/183
2004/0094148	A1 *	5/2004	Lulla .....	A61M 15/0086 128/200.23
2008/0035142	A1 *	2/2008	Lulla .....	A61M 15/0086 128/203.12
2008/0210225	A1 *	9/2008	Geiger .....	A61M 15/0086 128/200.14
2011/0288493	A1 *	11/2011	Holmqvist .....	A61M 5/24 604/241
2012/0247460	A1 *	10/2012	Stenzler .....	A61M 15/0086 128/203.12
2013/0291862	A1 *	11/2013	Eagle .....	A61M 15/0086 128/203.12

\* cited by examiner

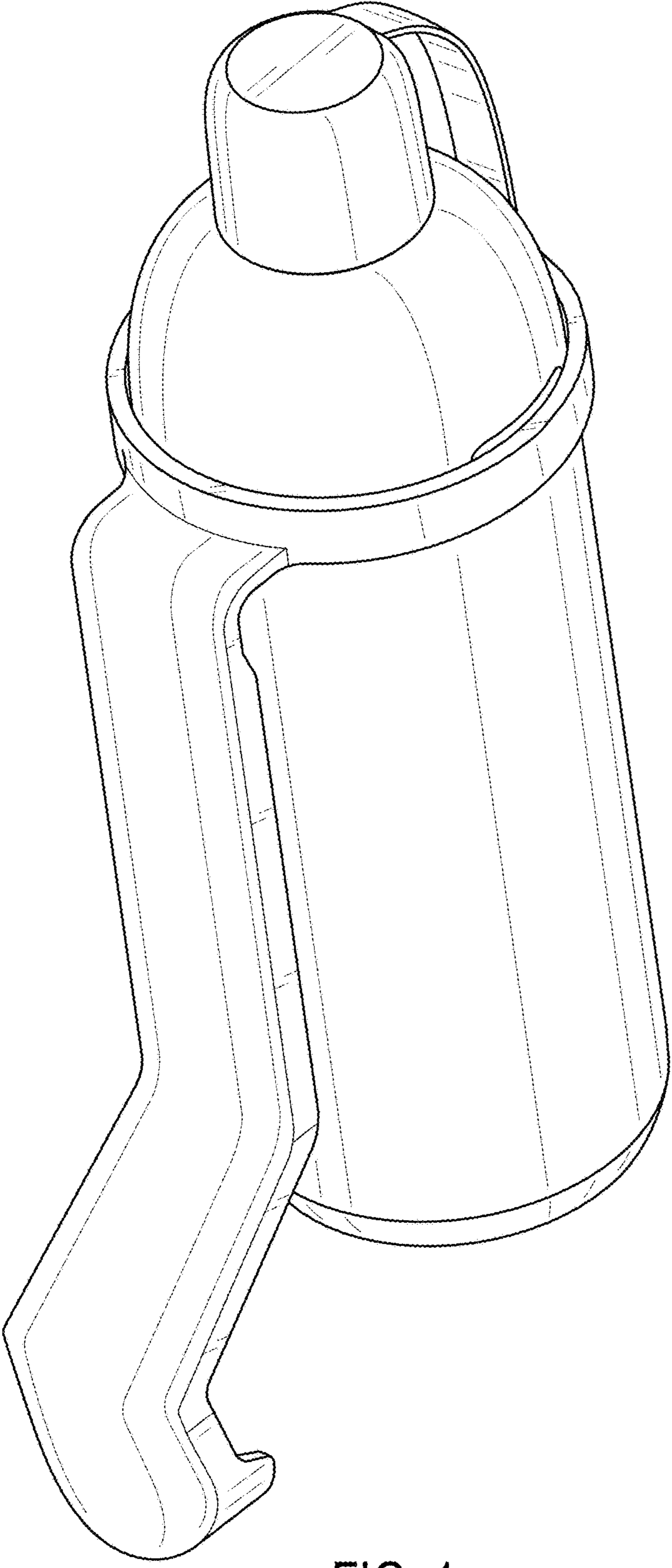


FIG. 1

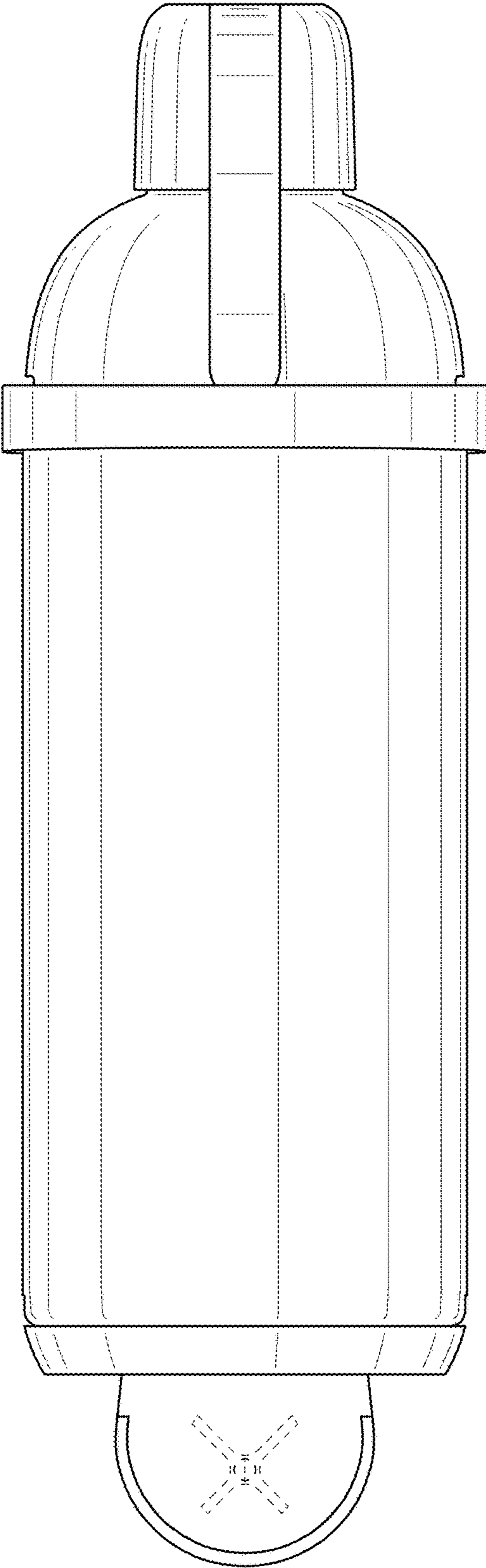


FIG. 2

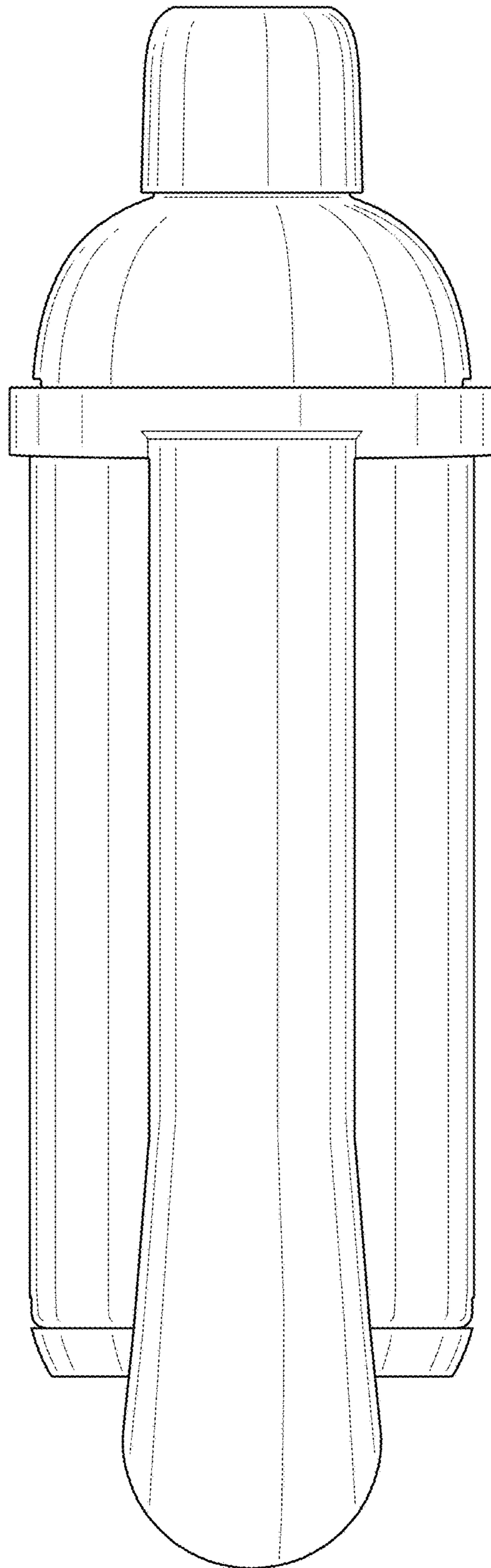


FIG. 3

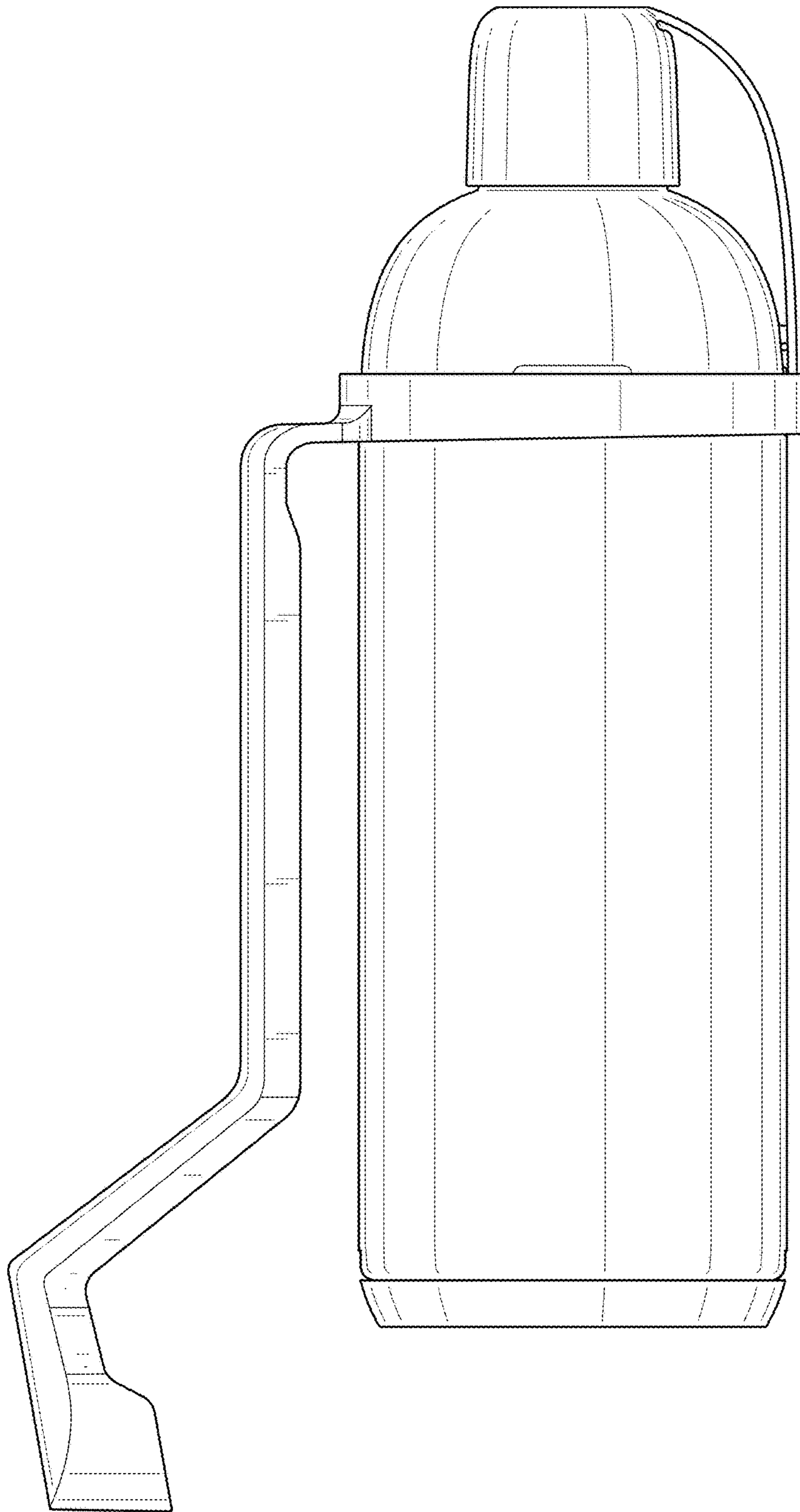


FIG. 4

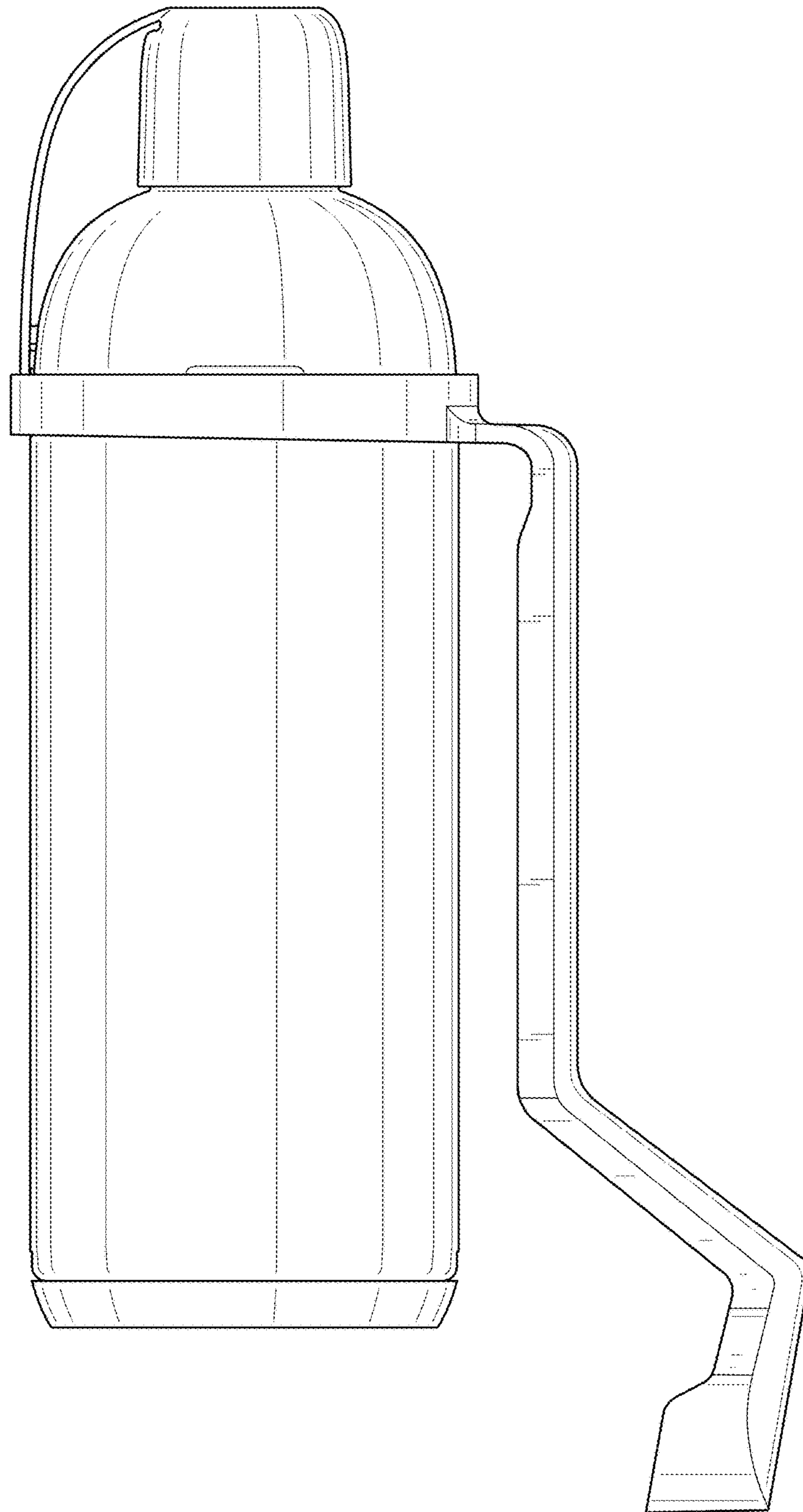


FIG. 5

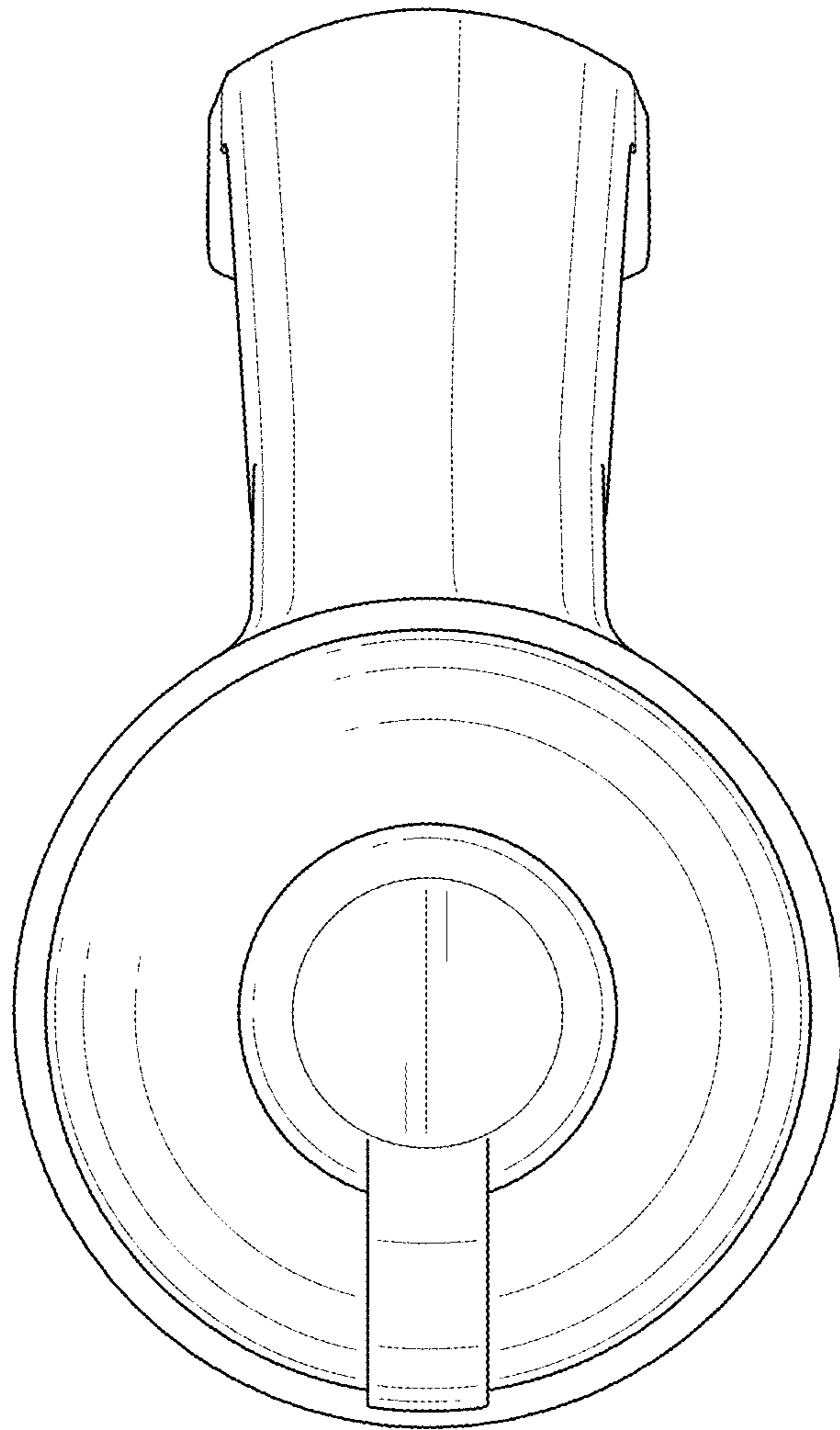


FIG. 6



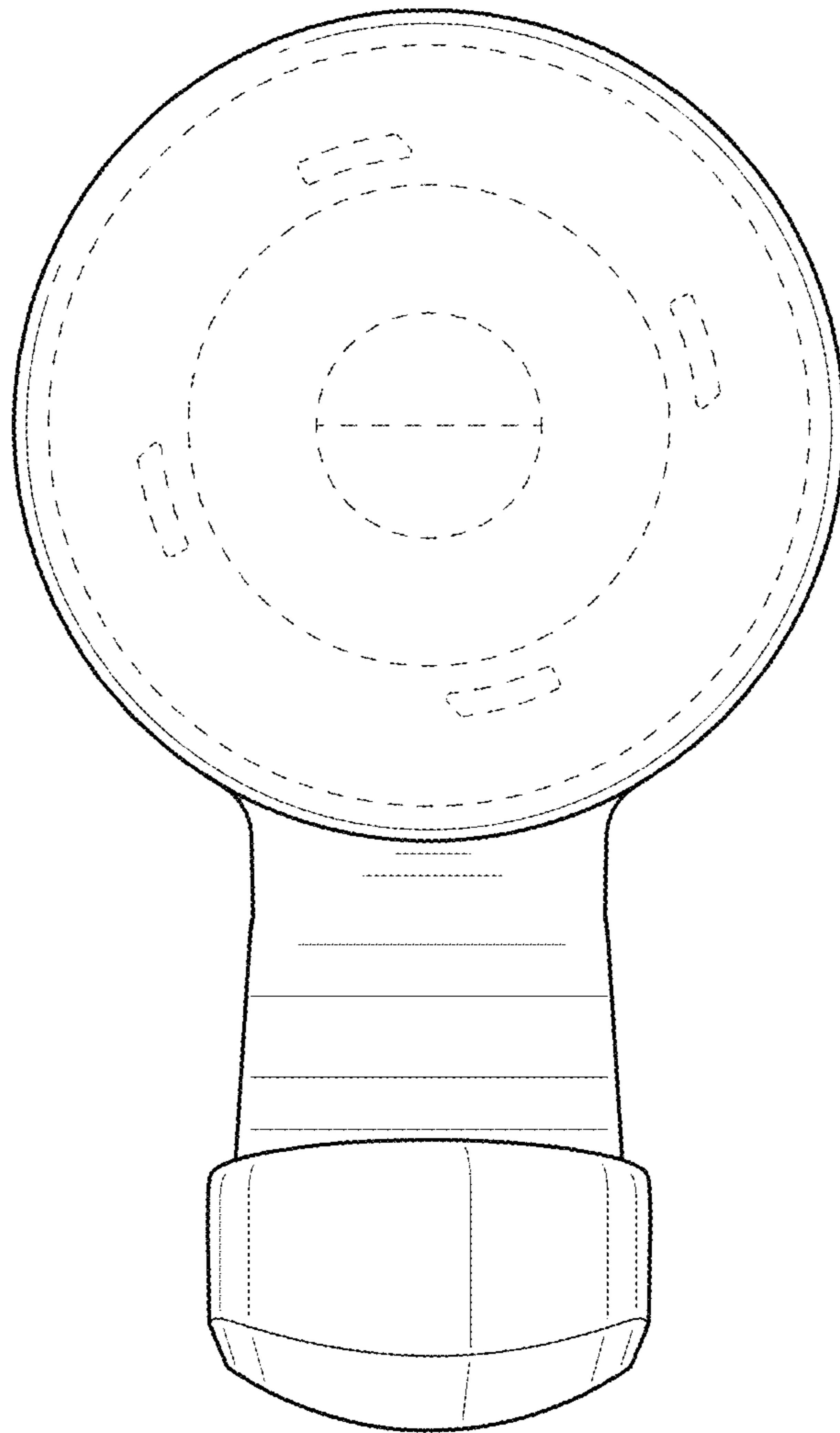


FIG. 7