



US00D820431S

(12) **United States Design Patent**
Ertze

(10) **Patent No.:** **US D820,431 S**

(45) **Date of Patent:** **** Jun. 12, 2018**

(54) **CEILING FAN HOUSING WITH LIGHT KIT**

(71) Applicant: **YOUNGO LIMITED**, Hong Kong
(CN)

(72) Inventor: **Pablo J. Ertze**, Fontana, CA (US)

(73) Assignee: **YOUNGO LIMITED**, Central (HK)

(**) Term: **15 Years**

(21) Appl. No.: **29/596,821**

(22) Filed: **Mar. 10, 2017**

(51) **LOC (11) Cl.** **23-04**

(52) **U.S. Cl.**
USPC **D23/411**; D26/59

(58) **Field of Classification Search**
USPC D23/370, 377, 379, 385, 411; D26/59
CPC F04D 25/088; F21V 33/0096
See application file for complete search history.

(56) **References Cited**

U.S. PATENT DOCUMENTS

D163,482 S *	5/1951	Reichelderfer	D23/385
D517,196 S *	3/2006	Pickett	D23/411
D522,137 S *	5/2006	Chen	D23/411
D527,451 S *	8/2006	Glasbrenner	D23/377
D574,946 S *	8/2008	Hidalgo	D23/377
D577,810 S *	9/2008	Hidalgo	D23/411

D577,811 S *	9/2008	Hidalgo	D23/411
D626,207 S *	10/2010	Searle	D23/377
D805,625 S *	12/2017	Haggar	D23/377
2013/0078108 A1 *	3/2013	McCloud	F04D 25/0606 416/244 R

* cited by examiner

Primary Examiner — Janice Hallmark

(74) *Attorney, Agent, or Firm* — Muncy, Geissler, Olds & Lowe, P.C.

(57) **CLAIM**

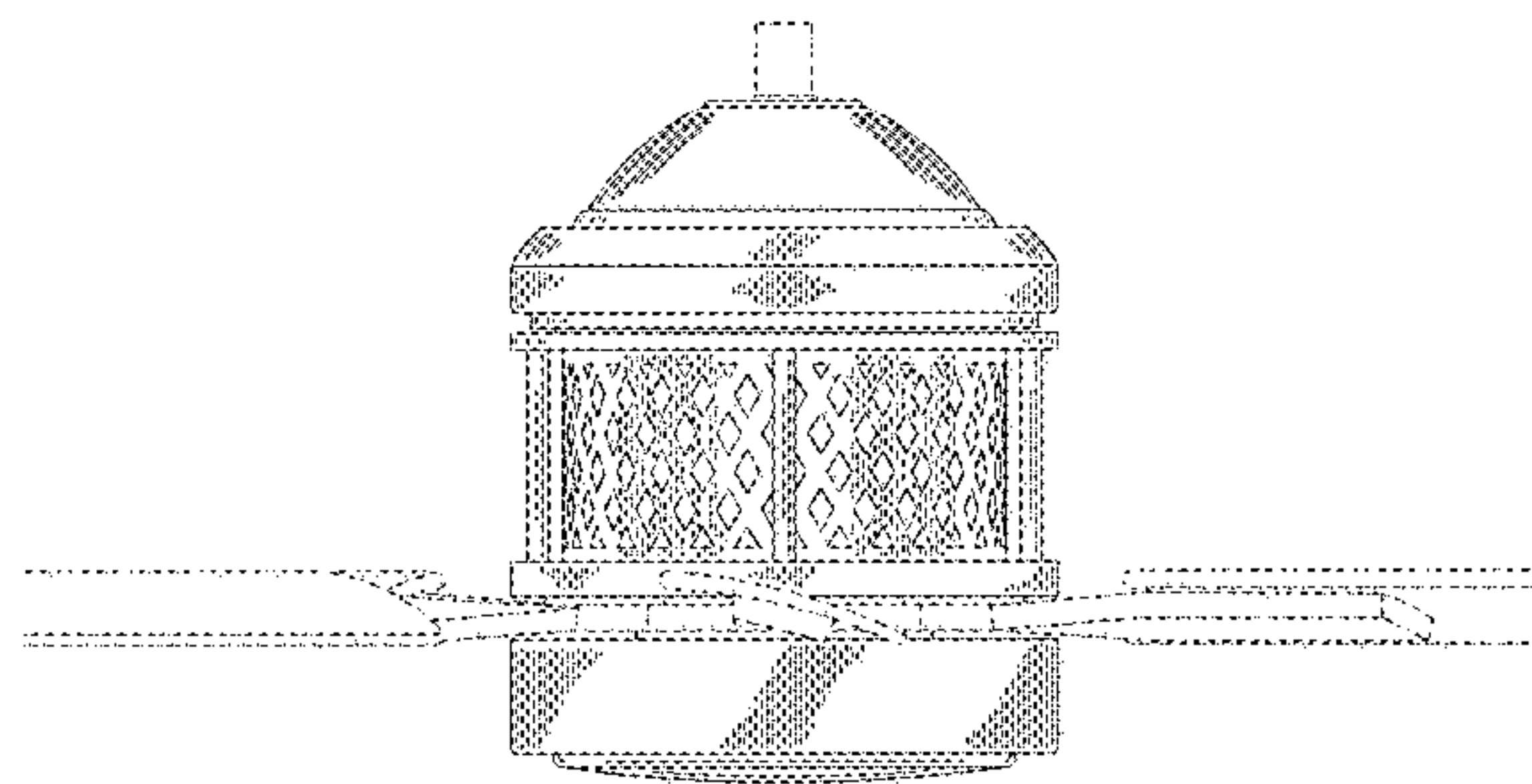
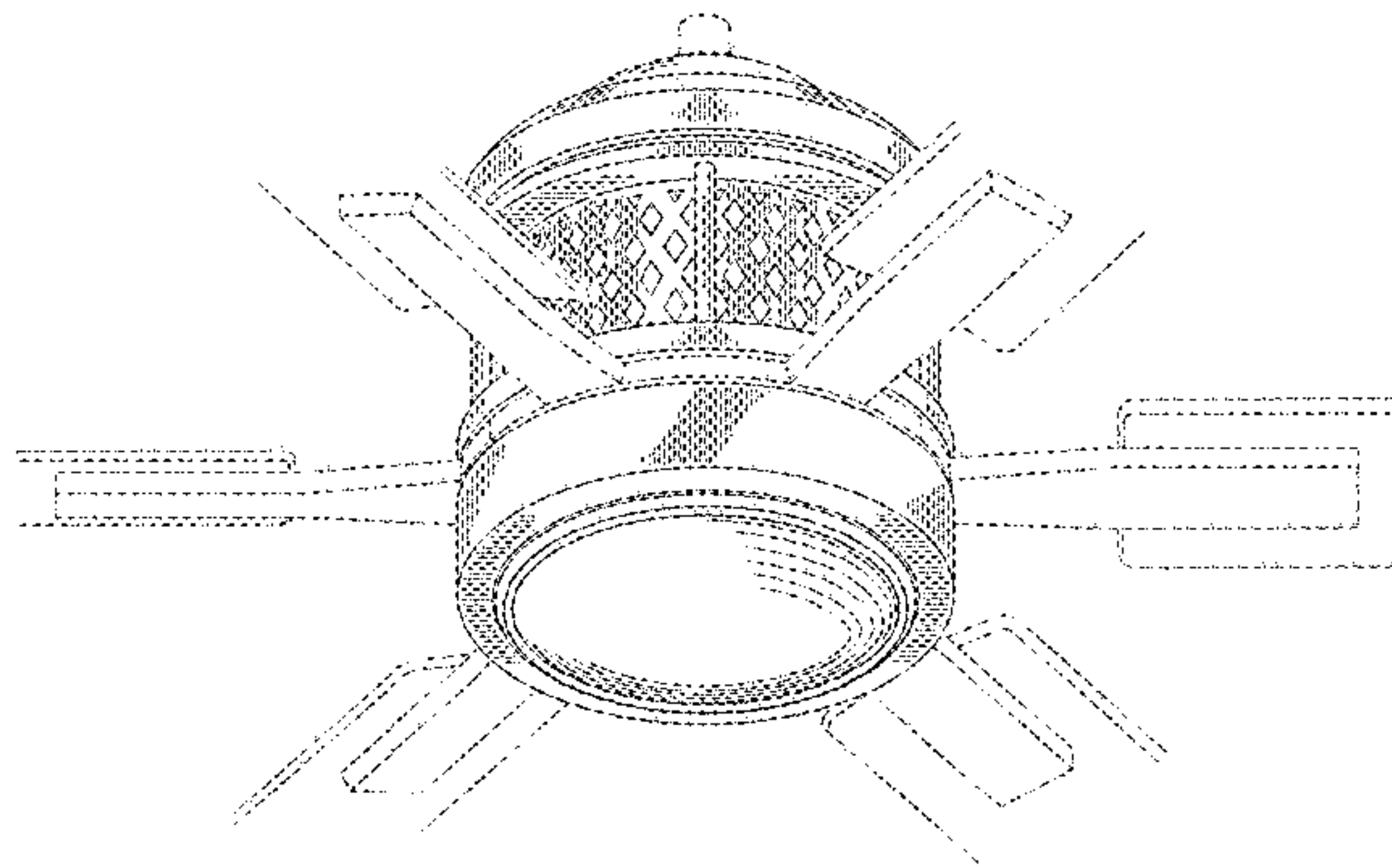
The ornamental design for a ceiling fan housing with light kit, as shown and described.

DESCRIPTION

FIG. 1 is a perspective view of a ceiling fan housing with light kit showing my new design in an environment of use; FIG. 2 is a perspective view thereof; FIG. 3 is a front side view thereof; FIG. 4 is a rear side view thereof; FIG. 5 is a left side view thereof; FIG. 6 is a right side view thereof; FIG. 7 is a top plan view thereof; and, FIG. 8 is a bottom plan view thereof.

The broken lines immediately adjacent the shaded areas depict the bounds of the claimed design while all other broken lines are directed to environment; the broken lines form no part of the claimed design.

1 Claim, 8 Drawing Sheets



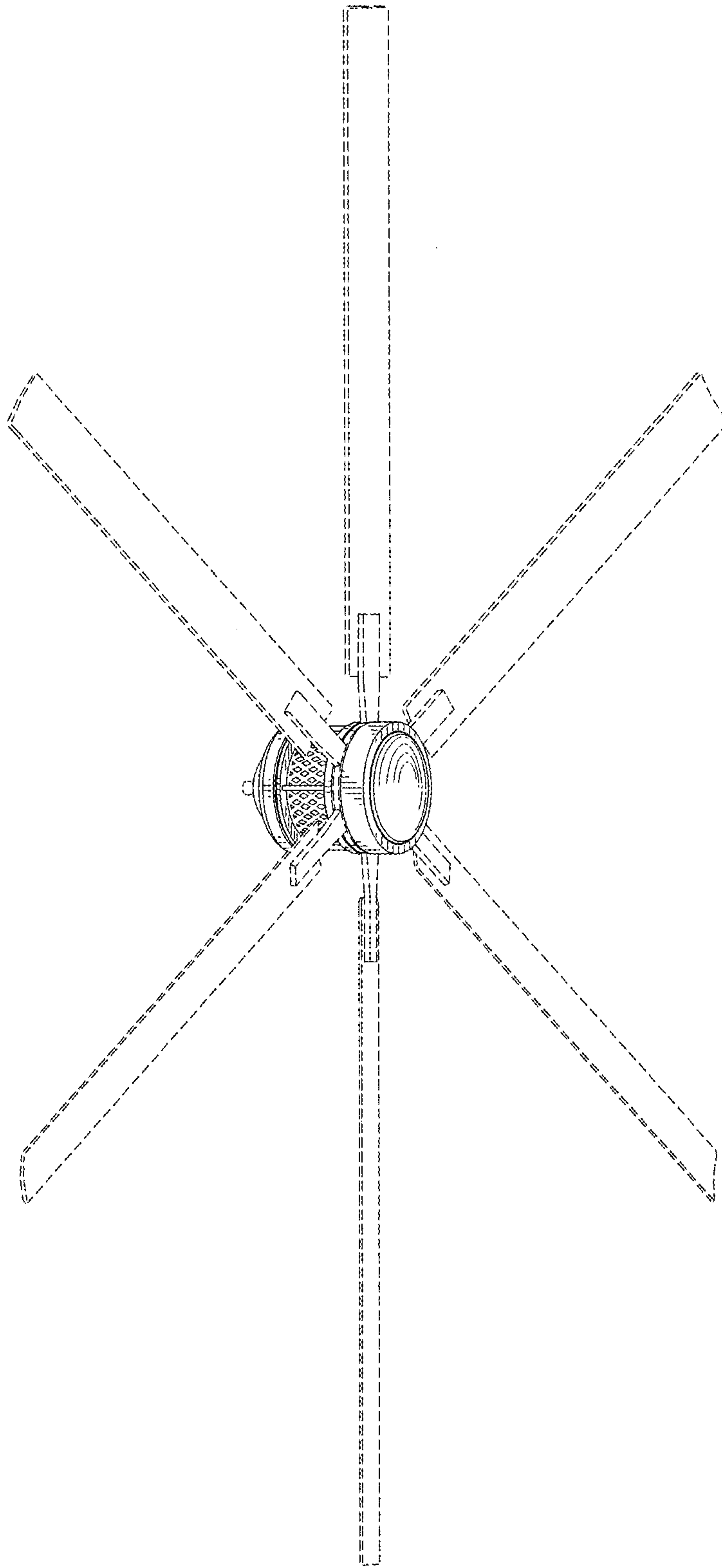


FIG. 1

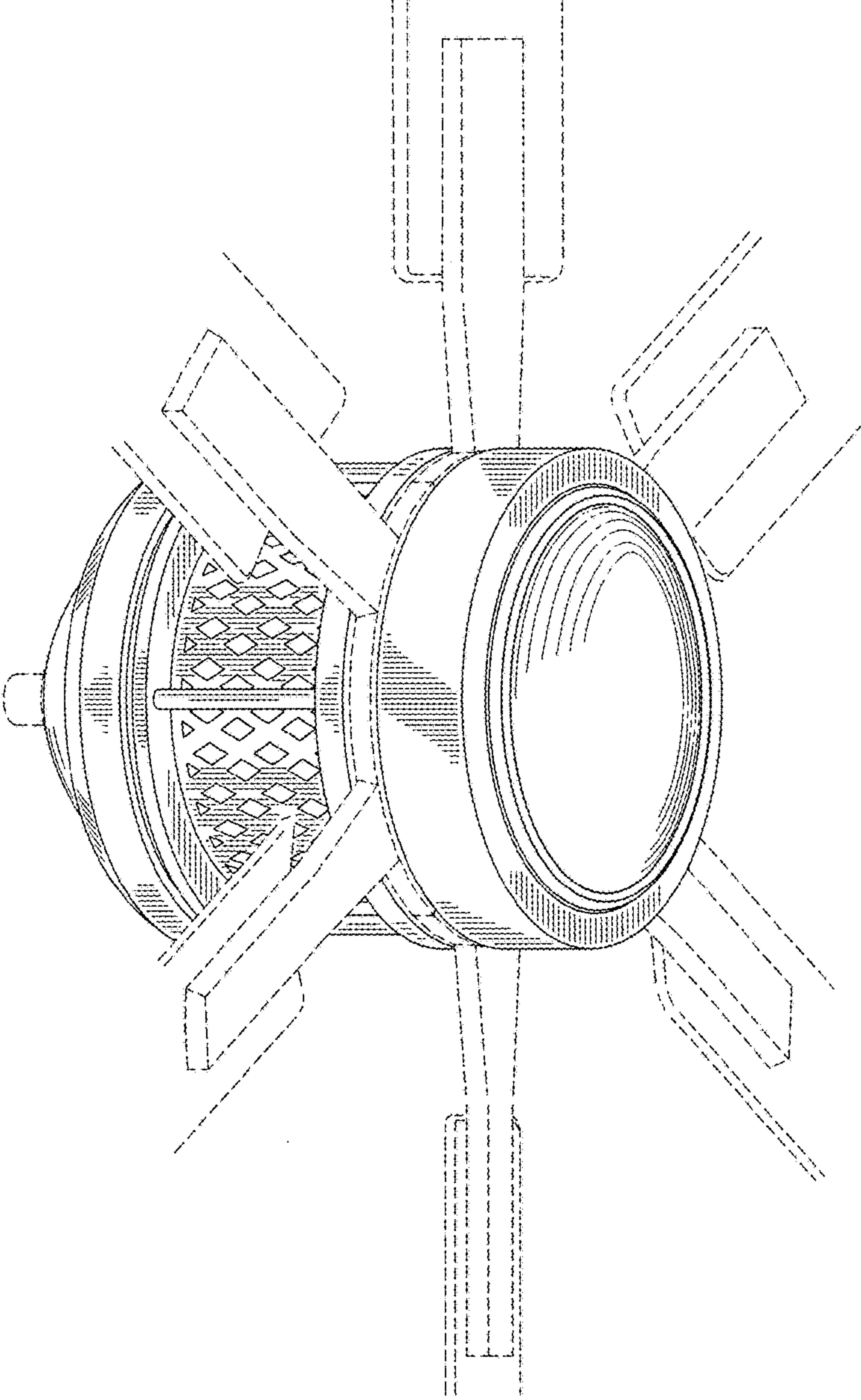


FIG. 2

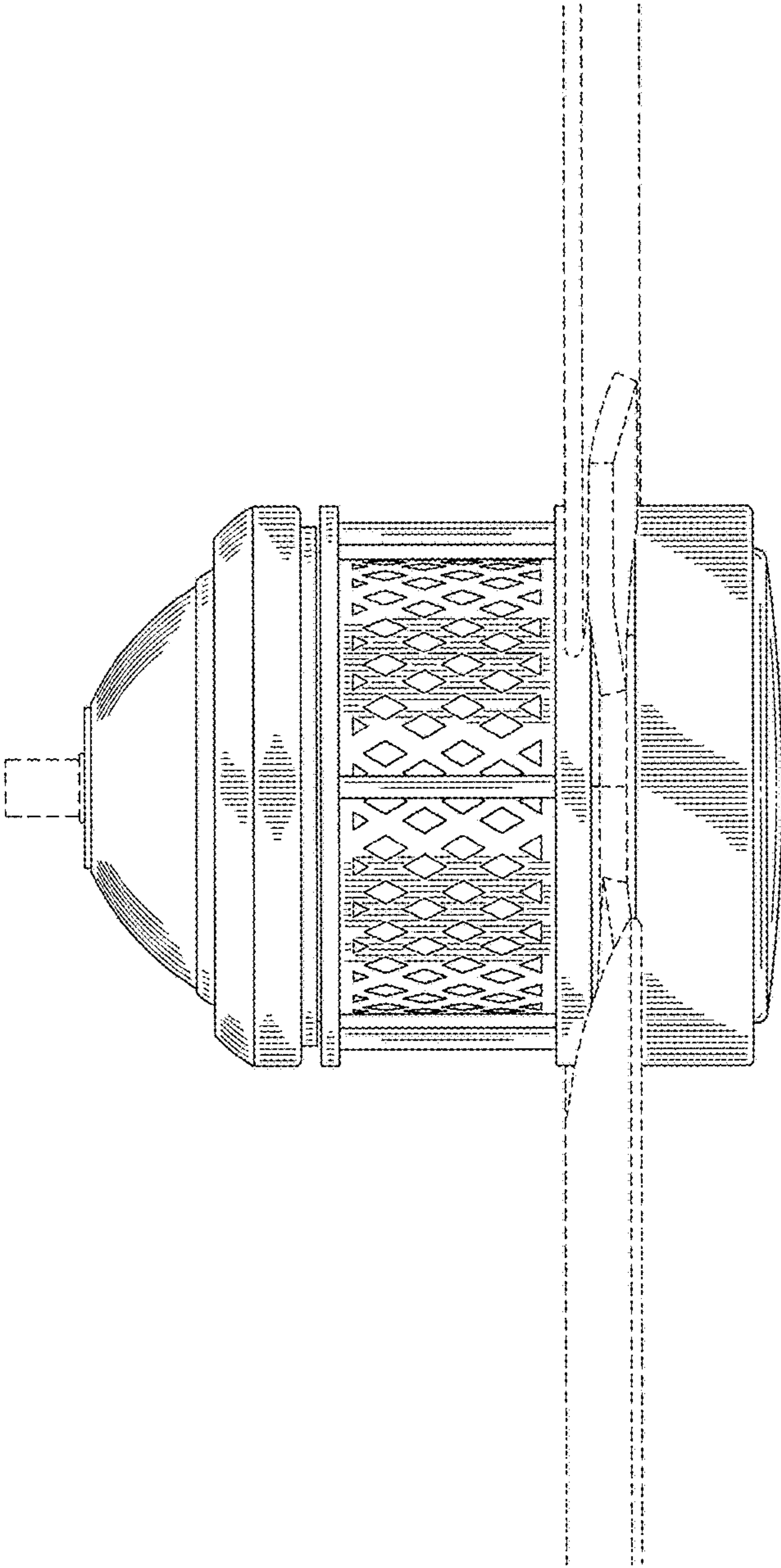


FIG. 3

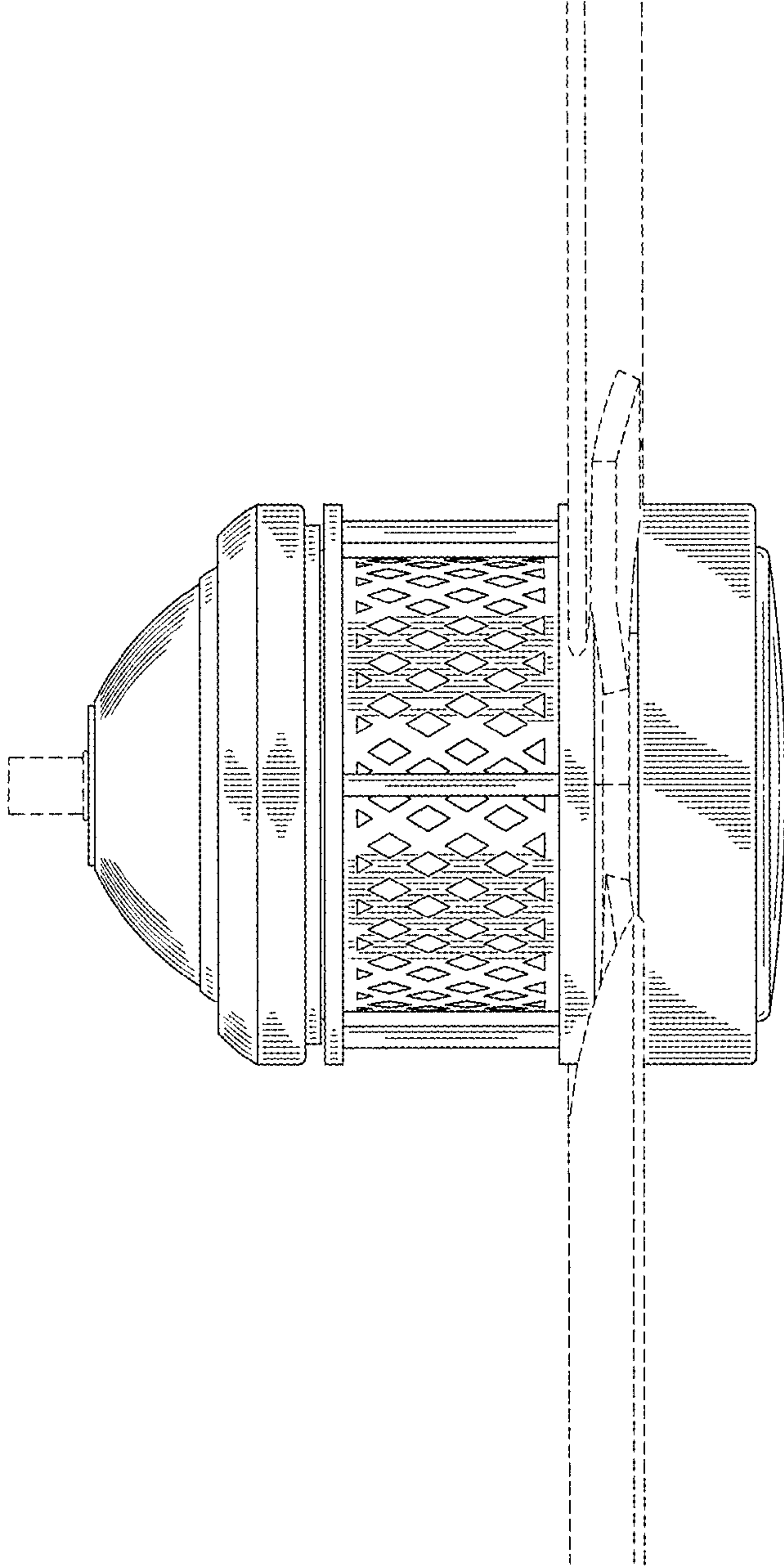


FIG. 4

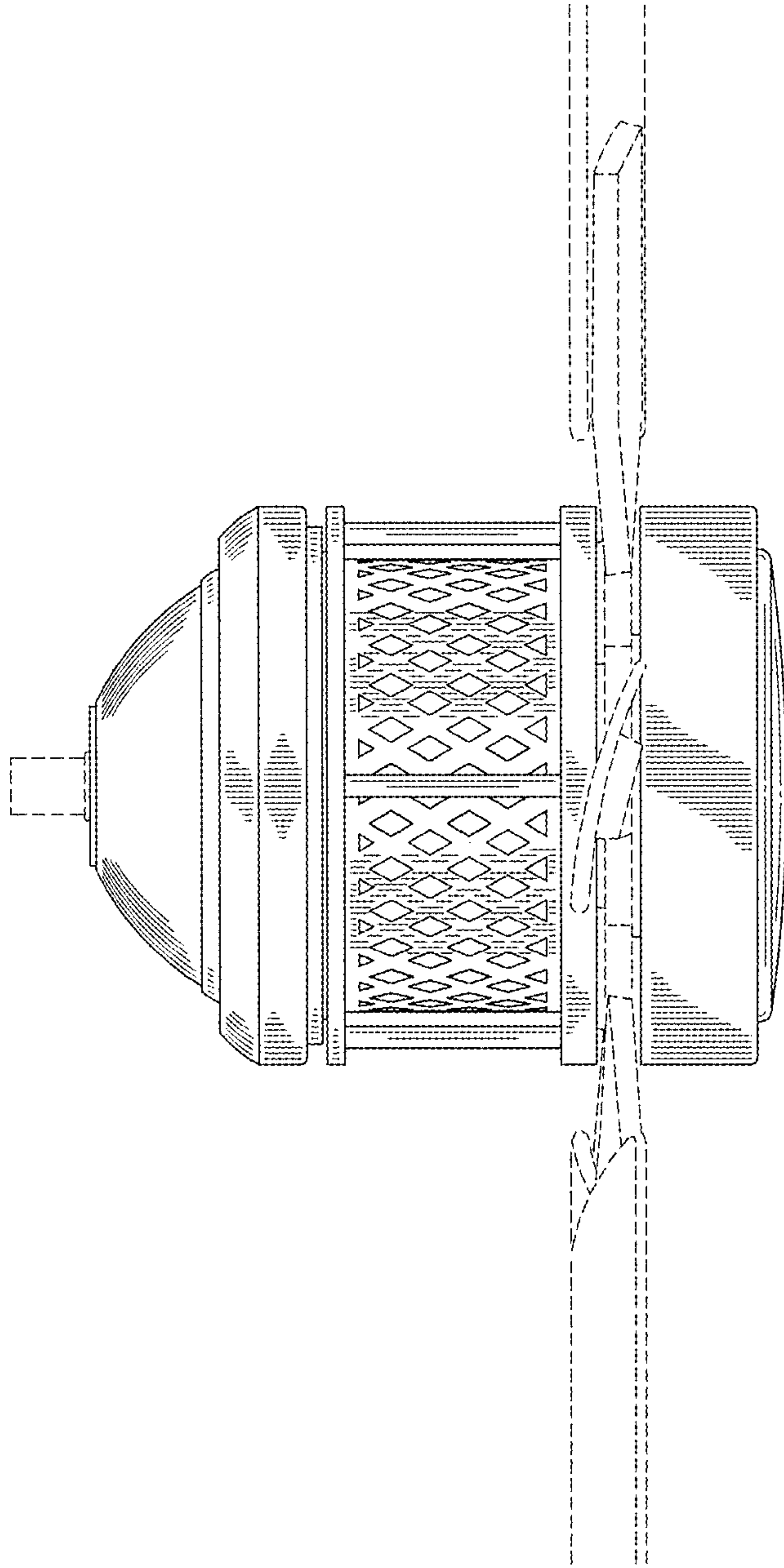


FIG. 5

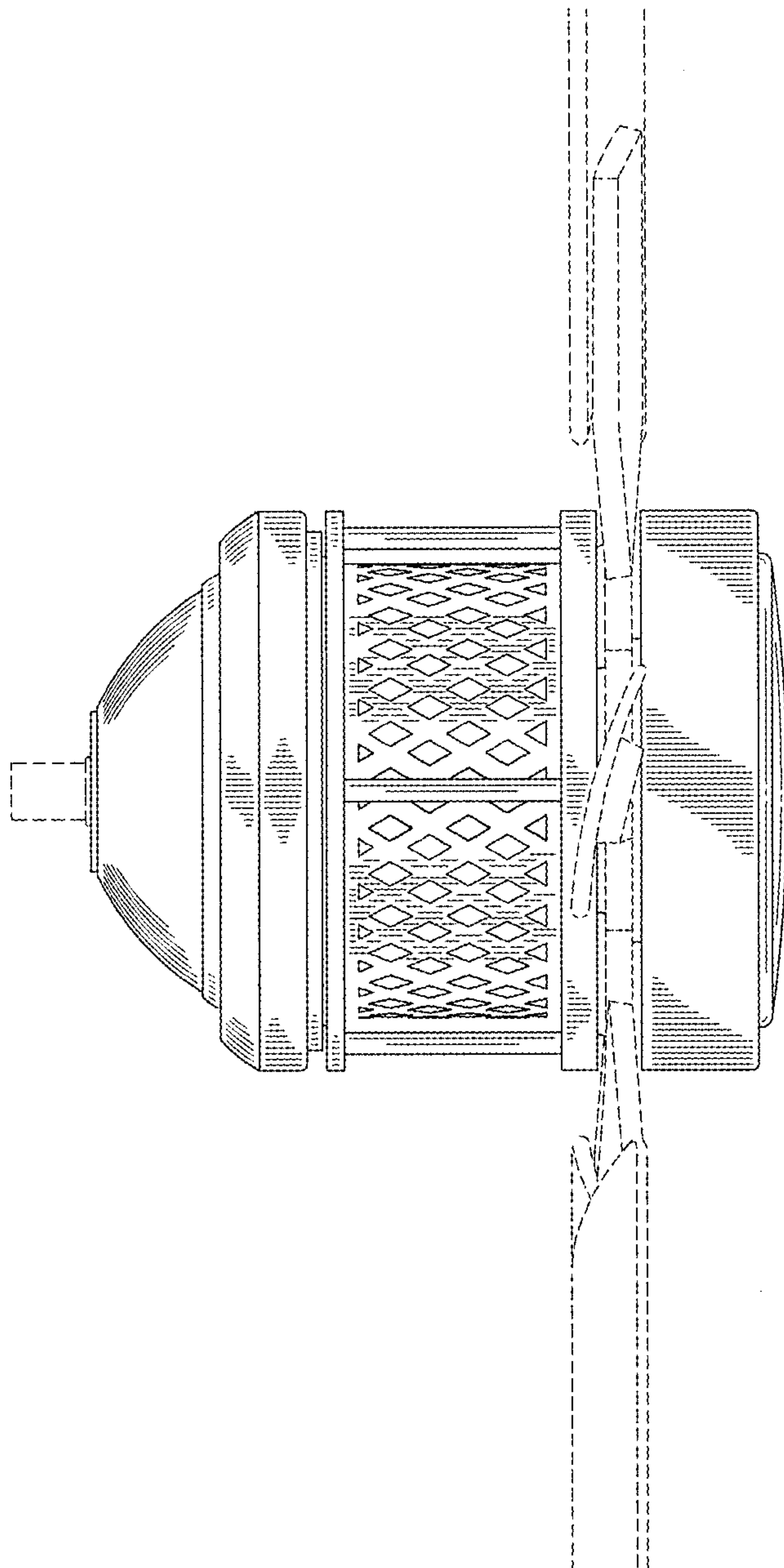


FIG. 6

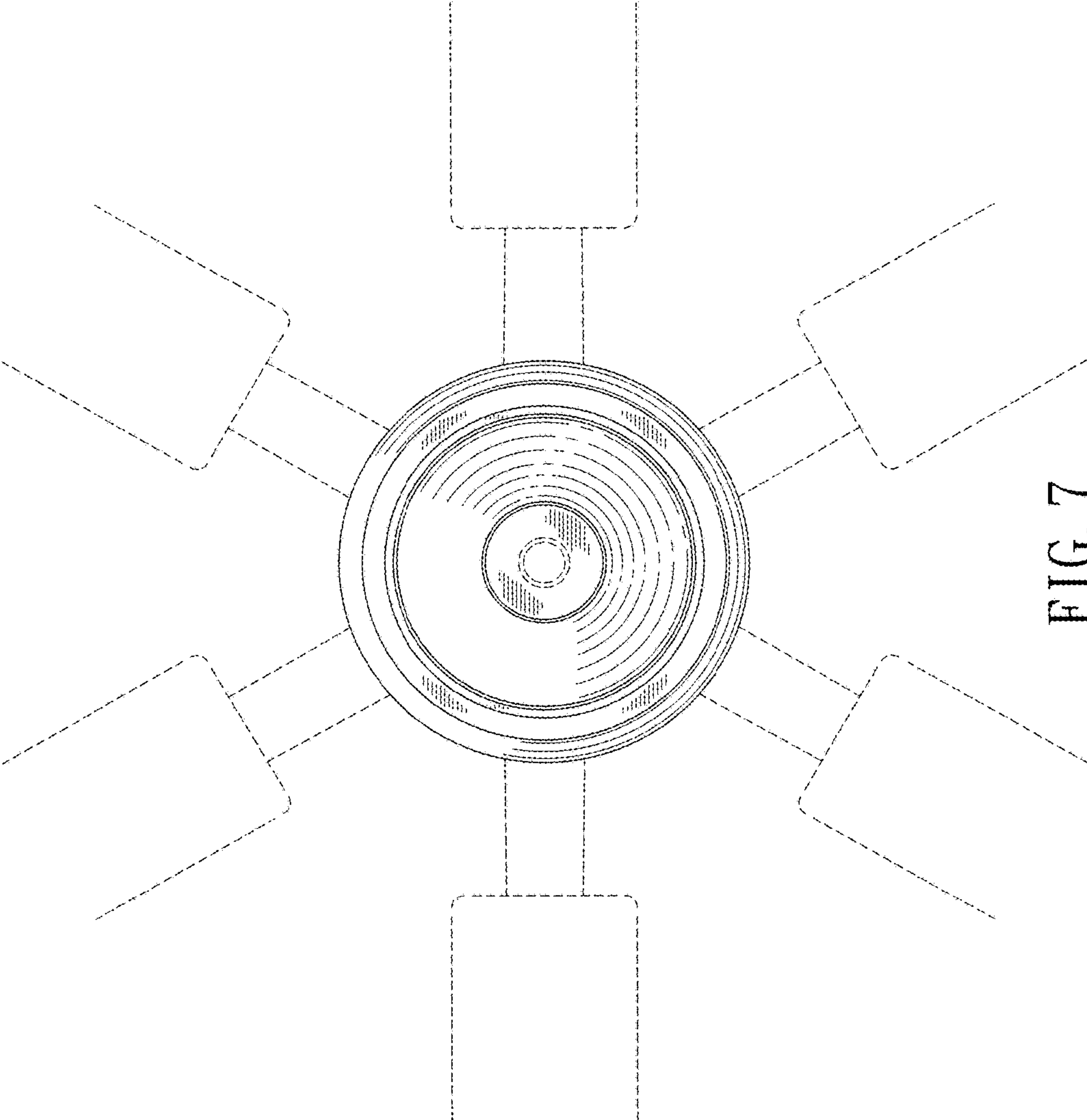


FIG. 7

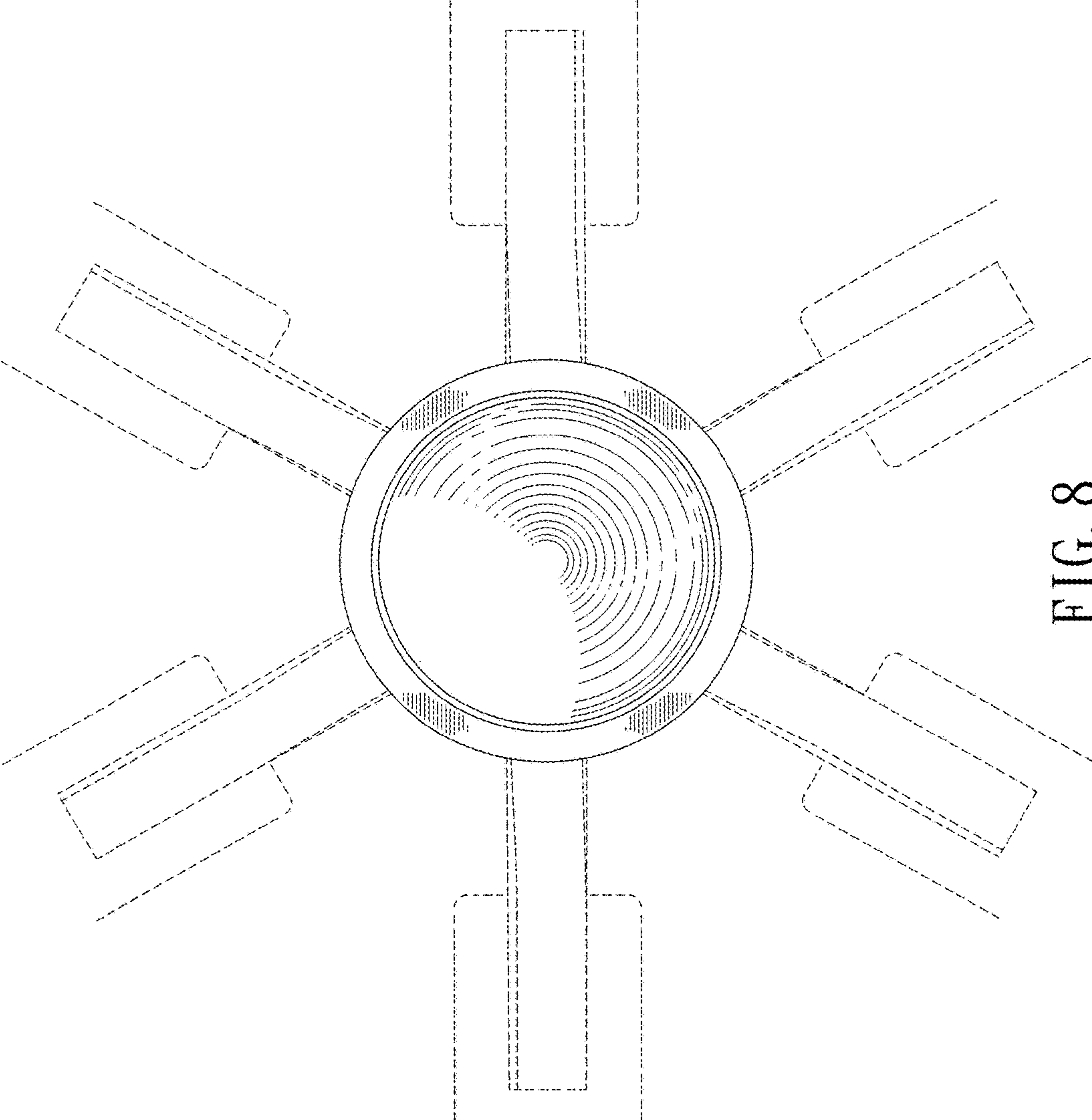


FIG. 8