



US00D820430S

(12) **United States Design Patent**
Breit et al.

(10) **Patent No.:** **US D820,430 S**

(45) **Date of Patent:** **** Jun. 12, 2018**

(54) **WATER MISTING FAN**

(71) Applicant: **O2COOL, LLC**, Chicago, IL (US)

(72) Inventors: **Oliver Breit**, Discovery Bay (HK);
Jason Yap, Melbourne (AU)

(73) Assignee: **O2COOL, LLC**, Chicago, IL (US)

(**) Term: **15 Years**

(21) Appl. No.: **29/585,977**

(22) Filed: **Nov. 30, 2016**

Related U.S. Application Data

(63) Continuation of application No. 29/528,398, filed on May 28, 2015, now Pat. No. Des. 773,630.

(51) **LOC (11) Cl.** **23-04**

(52) **U.S. Cl.**

USPC **D23/379**; D23/328

(58) **Field of Classification Search**

USPC D23/328, 370, 379, 411; D9/685

CPC B05B 3/022; B05B 3/02

See application file for complete search history.

(56) **References Cited**

U.S. PATENT DOCUMENTS

- 5,338,495 A * 8/1994 Steiner B01F 3/04007
239/214.25
- D387,852 S * 12/1997 Radtke D23/328
- D451,588 S * 12/2001 Steiner D23/379
- 6,398,132 B1 * 6/2002 Junkel B05B 11/0037
222/175
- 7,143,958 B1 * 12/2006 Dorney B05B 3/022
215/229

- D554,242 S * 10/2007 Chen D23/314
- D565,720 S * 4/2008 Chen D23/379
- D703,308 S * 4/2014 Peterson D23/379
- D733,282 S * 6/2015 Peterson D23/328
- D741,184 S * 10/2015 Herbst D9/530
- D741,462 S * 10/2015 Champ D23/328
- 9,339,827 B2 * 5/2016 Chan B05B 3/022
- D758,197 S * 6/2016 Herbst D9/530
- D770,022 S * 10/2016 Breit D23/328
- D773,630 S * 12/2016 Breit D23/328

* cited by examiner

Primary Examiner — Janice Hallmark

(74) *Attorney, Agent, or Firm* — Thompson Coburn LLP;
Alan H. Norman

(57) **CLAIM**

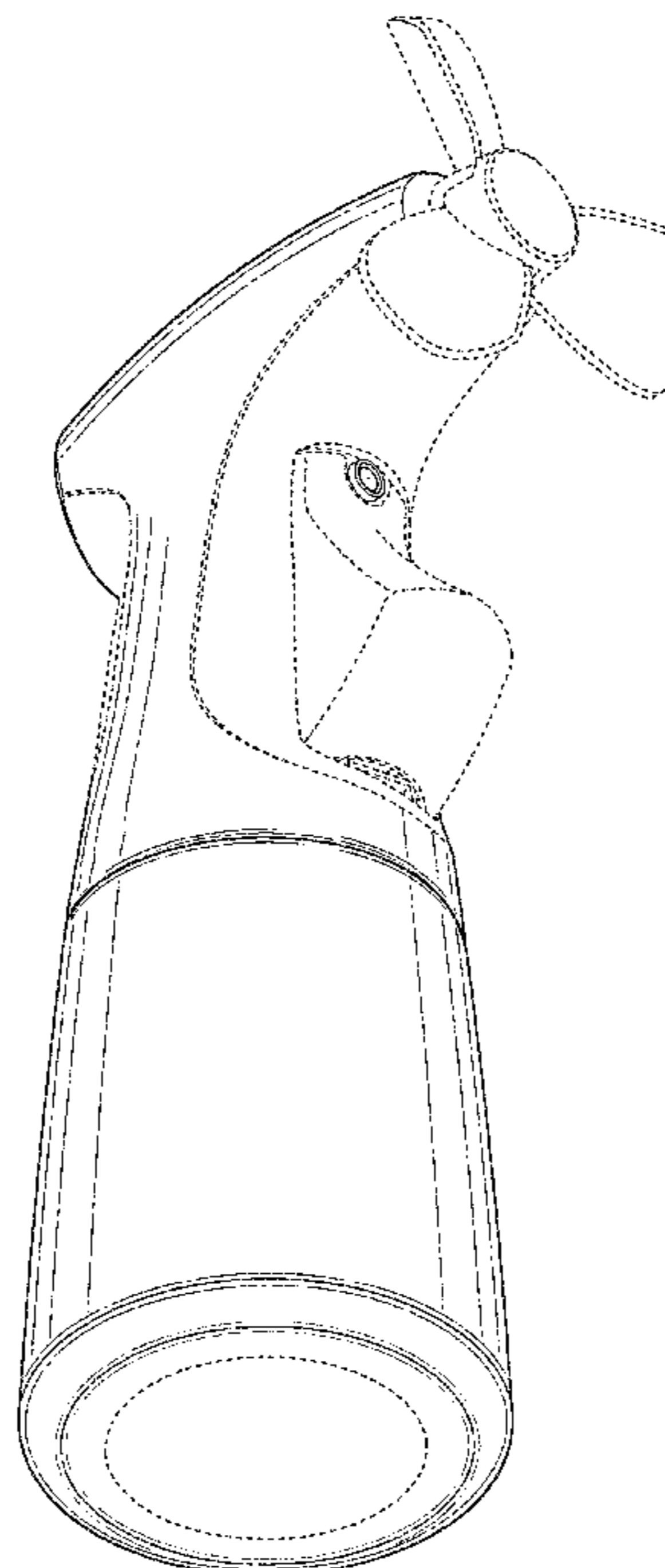
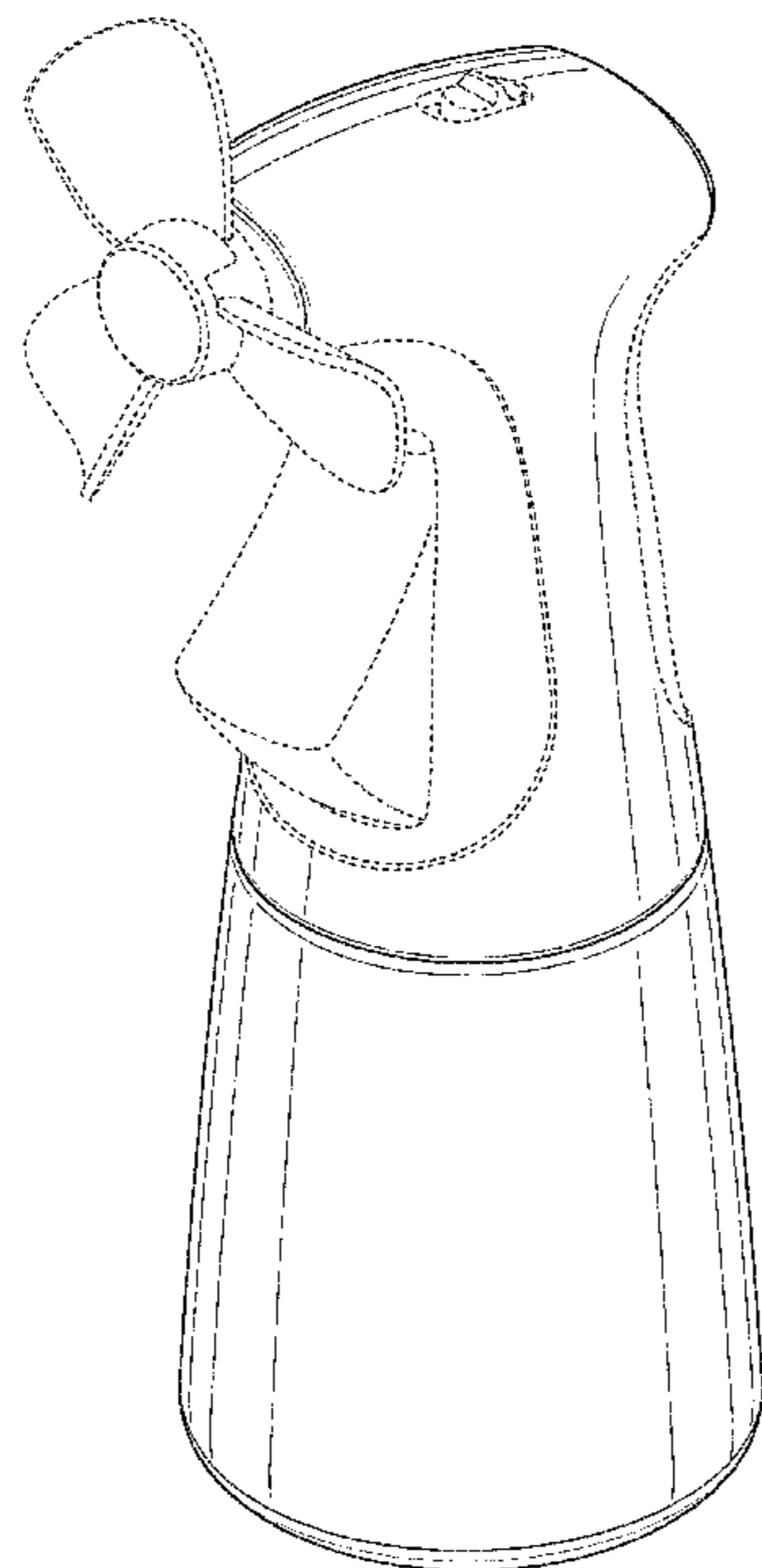
The ornamental design for a water misting fan, as shown and described.

DESCRIPTION

FIG. 1 is a first perspective view of the water misting fan showing our new design;
 FIG. 2 is a second perspective view of the water misting fan;
 FIG. 3 is a right side view thereof;
 FIG. 4 is a left side view thereof;
 FIG. 5 is a front view thereof;
 FIG. 6 is a rear view thereof;
 FIG. 7 is a top plan view thereof; and,
 FIG. 8 is a bottom view thereof.

The broken lines immediately adjacent the shaded areas represent the bounds of the claimed design while all other broken lines are directed to unclaimed portions of the water misting fan; the broken lines form no part of the claimed design.

1 Claim, 7 Drawing Sheets



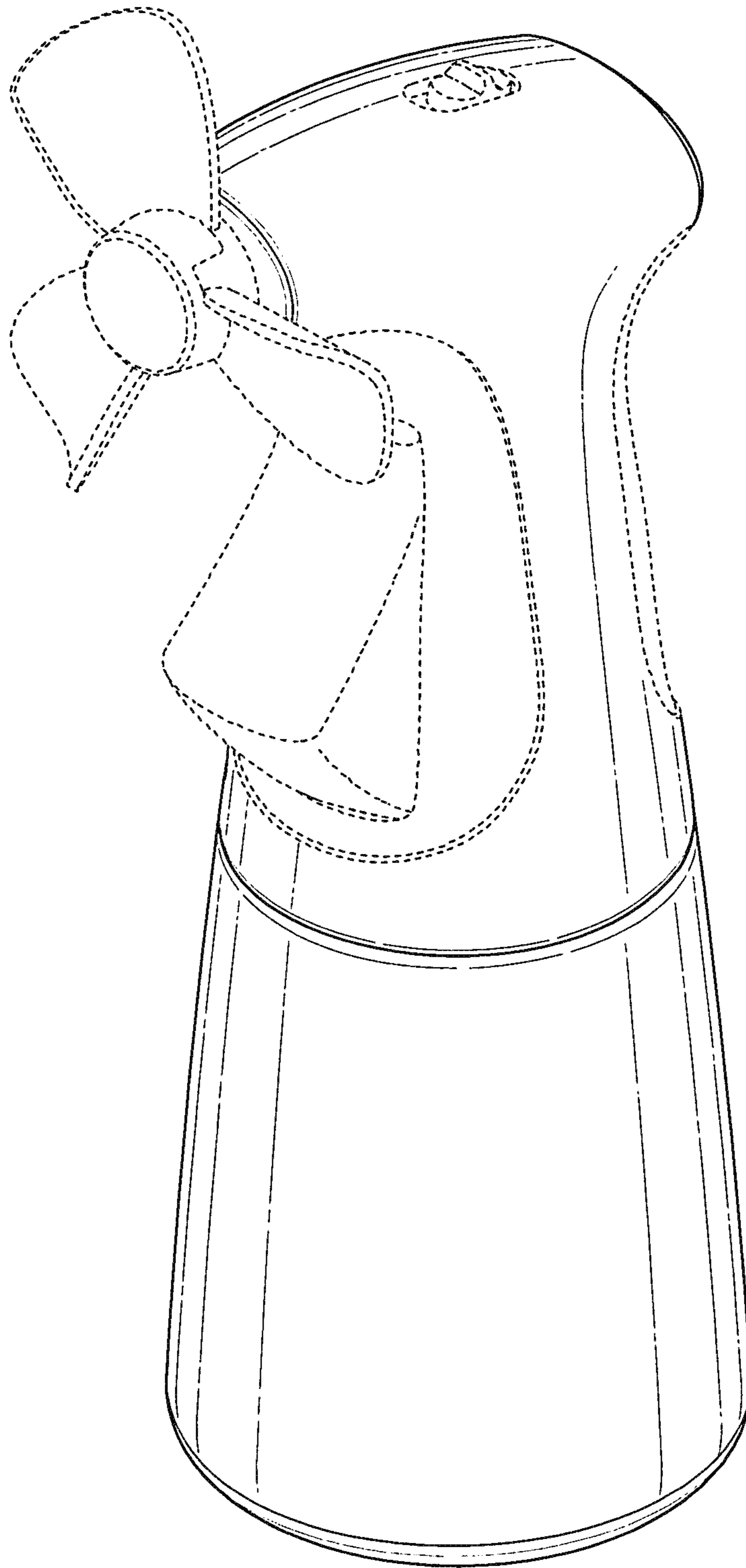


FIG. 1

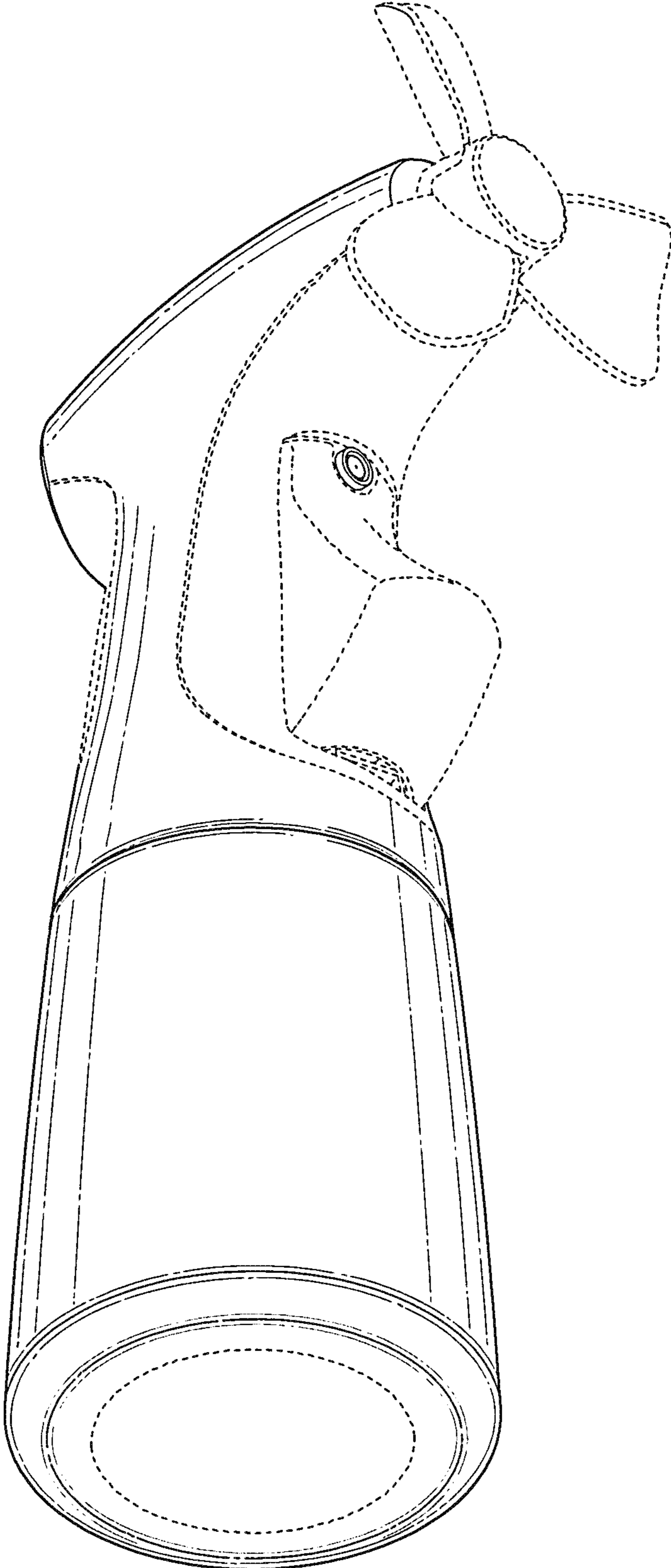


FIG. 2

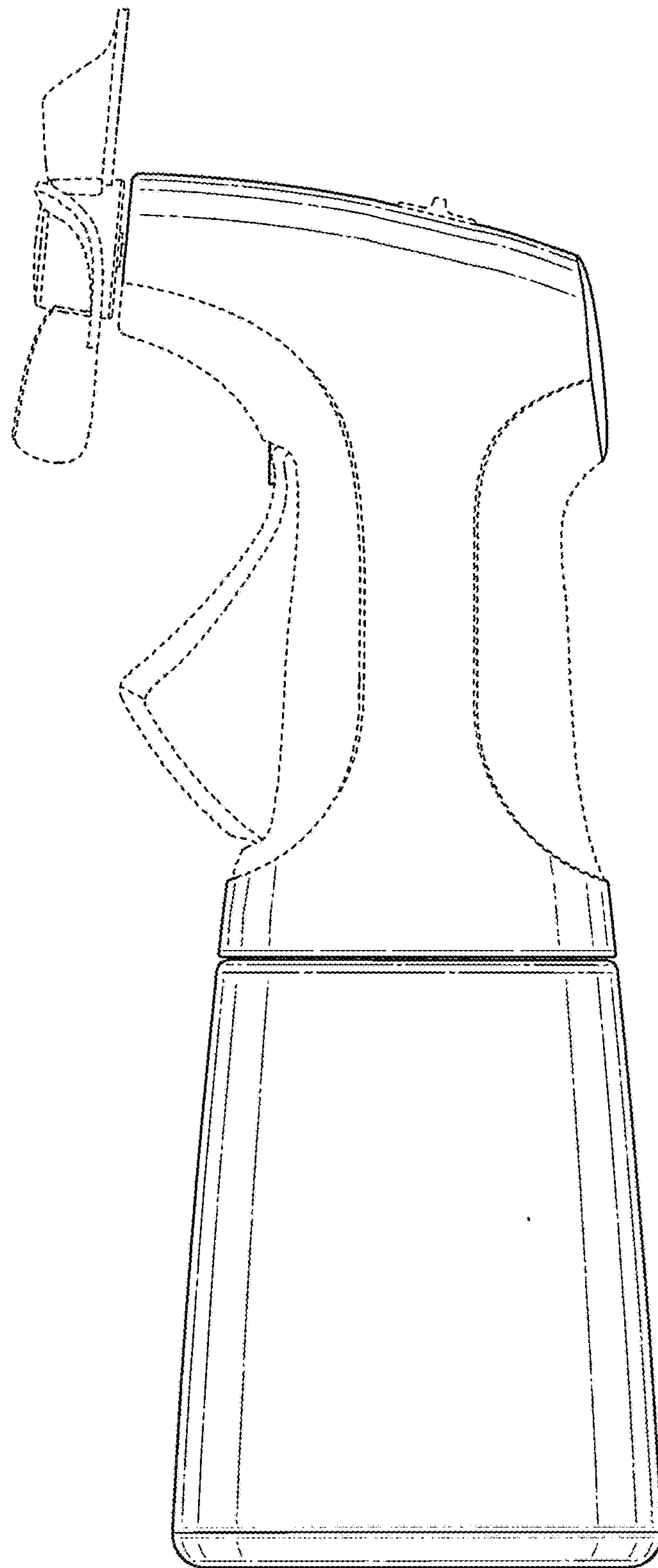


FIG. 3

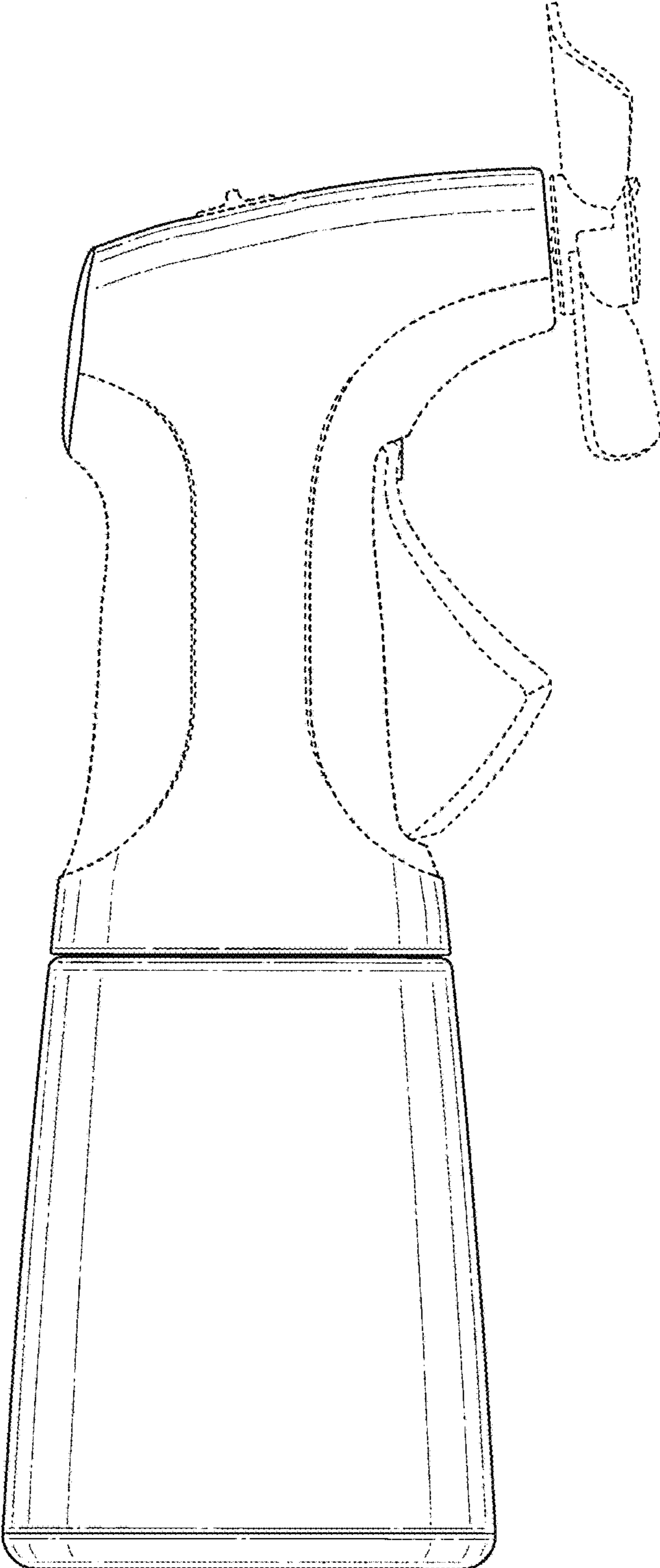


FIG. 4

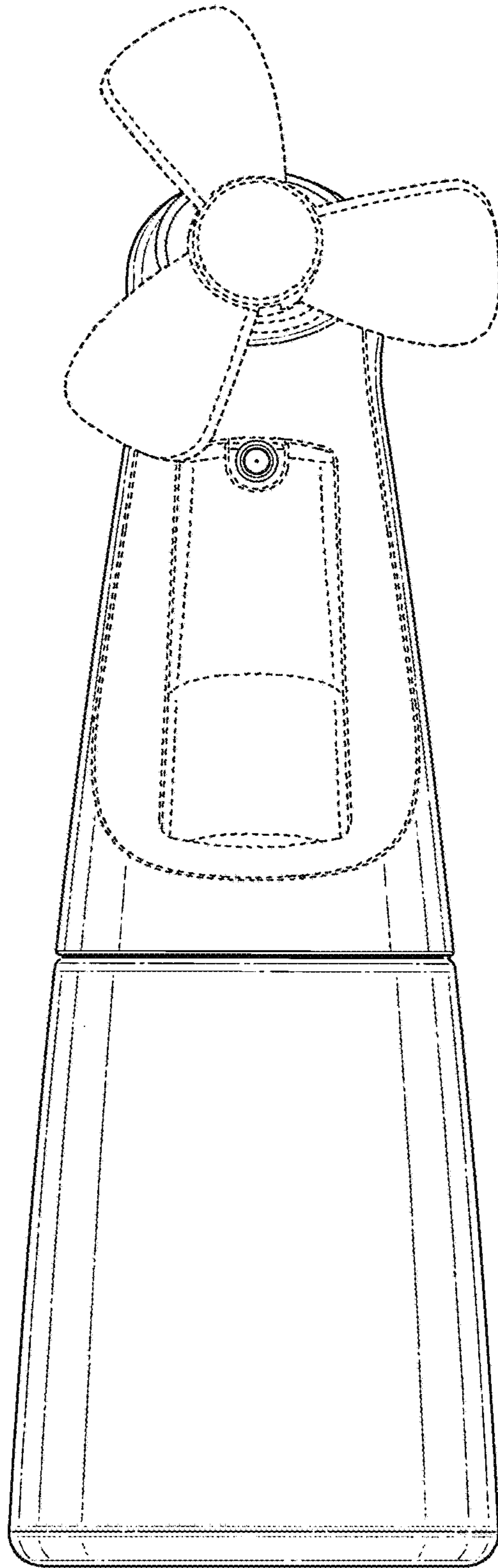


FIG. 5

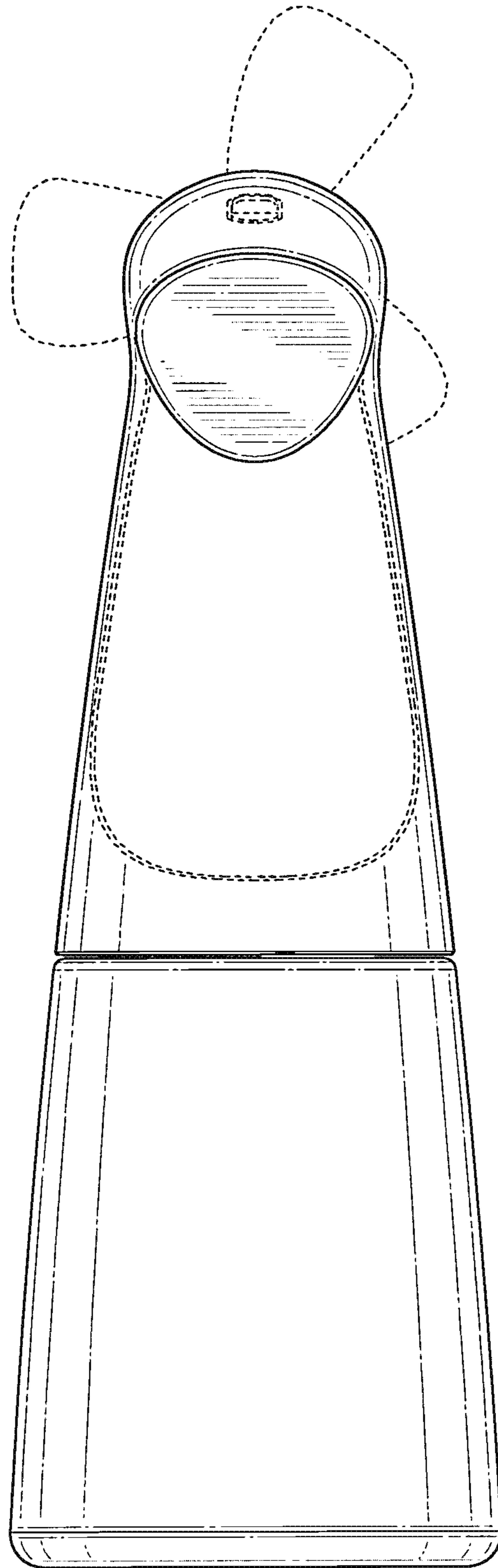


FIG. 6

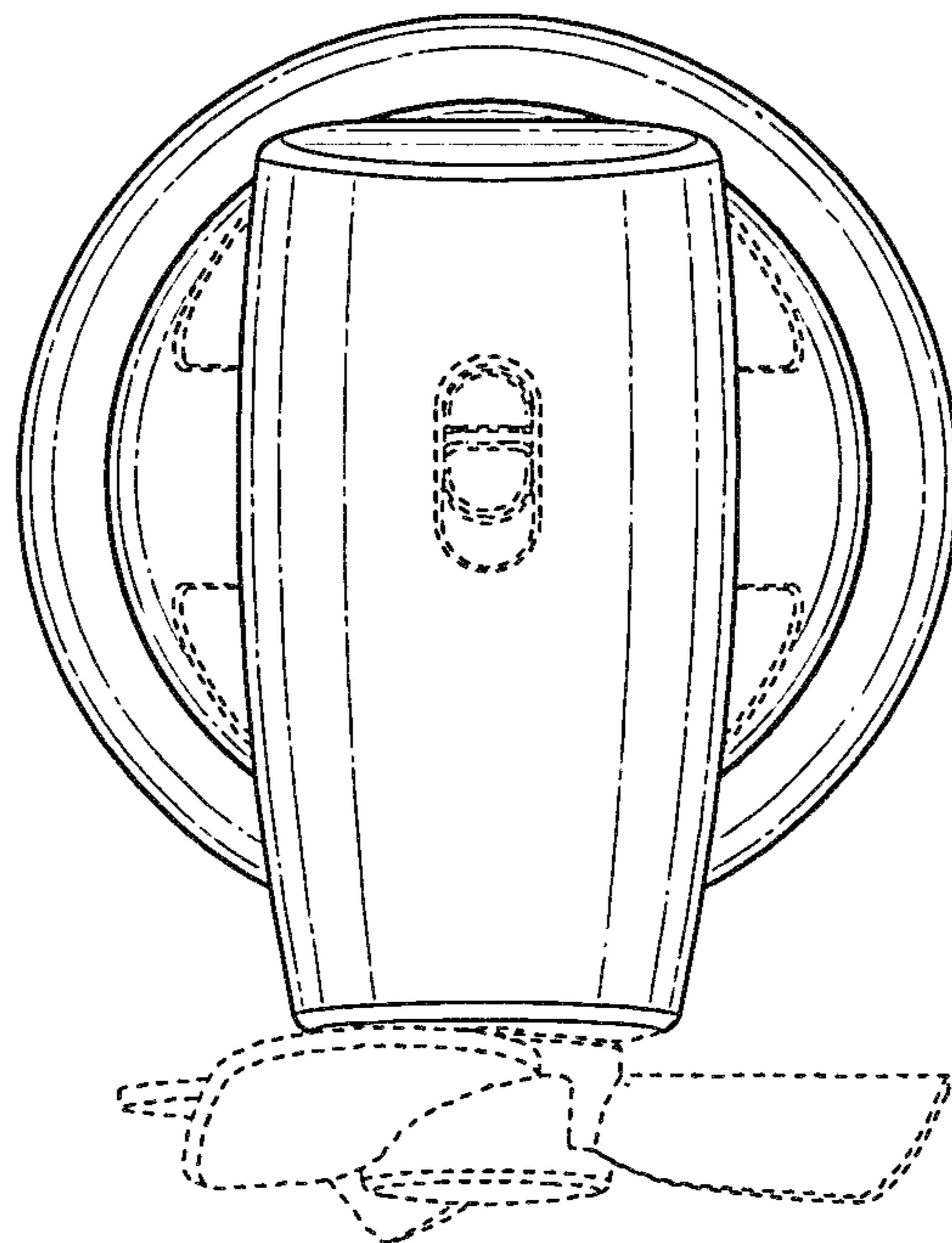


FIG. 7

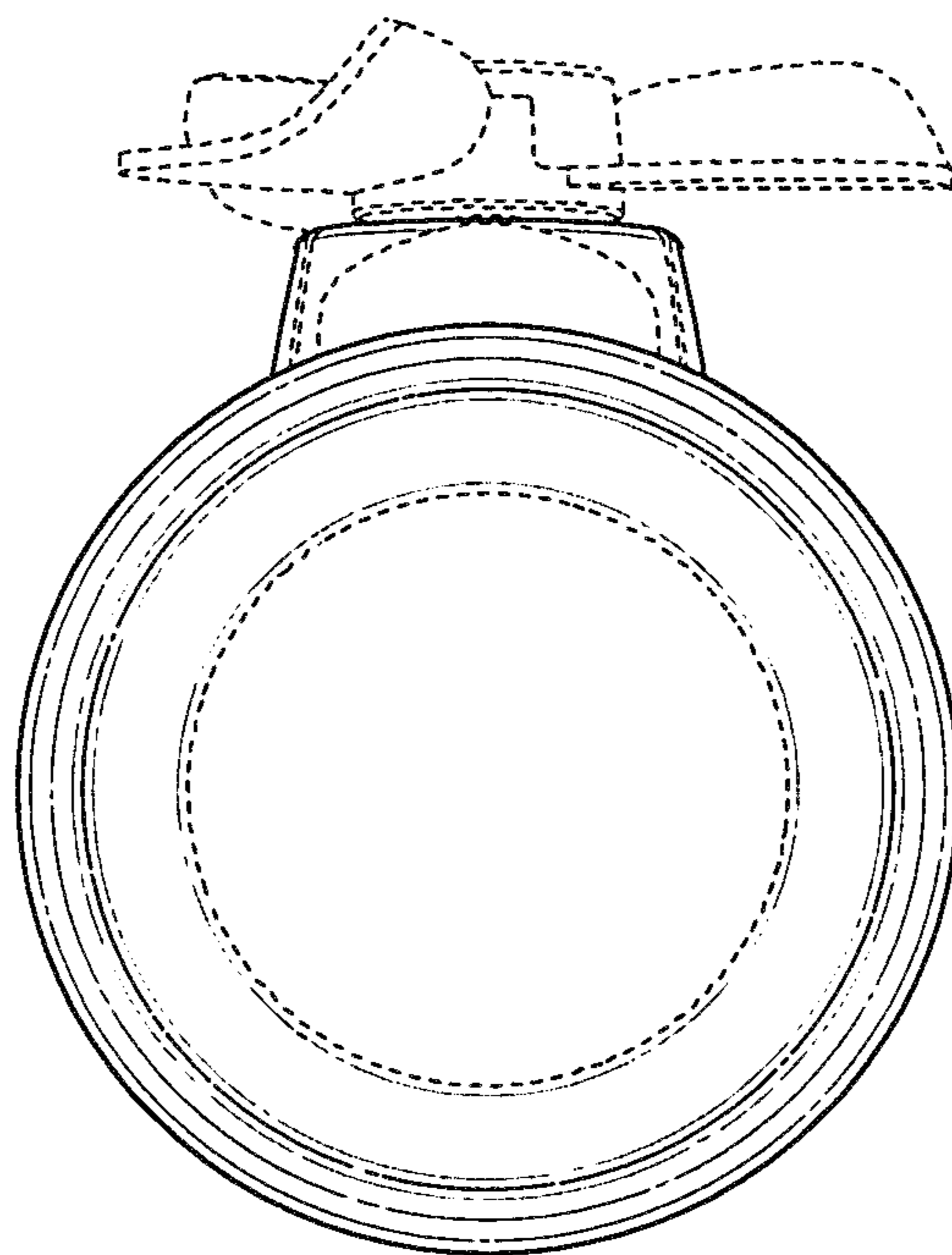


FIG. 8