



US00D820429S

(12) **United States Design Patent**  
**Ainger**

(10) **Patent No.:** **US D820,429 S**  
(45) **Date of Patent:** **\*\* Jun. 12, 2018**

(54) **ROOF VENT ASSEMBLY**  
(71) Applicant: **JT Roofing Pty Ltd**, Kelmscott (AU)  
(72) Inventor: **James Anthony Ainger**, Kelmscott (AU)  
(73) Assignee: **JR Roofing Pty Ltd**, Kelmscott, WA (AU)  
(\*\*) Term: **15 Years**

(21) Appl. No.: **29/552,777**  
(22) Filed: **Jan. 26, 2016**

(30) **Foreign Application Priority Data**  
Jul. 28, 2015 (AU) ..... 201513777  
(51) **LOC (11) Cl.** ..... **23-04**  
(52) **U.S. Cl.**  
USPC ..... **D23/373**  
(58) **Field of Classification Search**  
USPC ..... D23/370-377, 386, 393-394, 259, 260,  
D23/266; D25/139, 141, 143  
CPC ..... E04D 13/17; E04D 13/1476  
See application file for complete search history.

(56) **References Cited**  
U.S. PATENT DOCUMENTS  
358,262 A \* 2/1887 Griffin ..... E04D 13/1476  
126/318  
2,370,803 A \* 3/1945 Kronenbitter ..... E04D 3/30  
52/537

D167,736 S \* 9/1952 Bowman ..... D23/374  
3,082,677 A \* 3/1963 Pease ..... F24F 7/02  
126/307 R  
D257,396 S \* 10/1980 Gustafsson ..... D25/140  
D554,749 S \* 11/2007 Ness ..... D23/393  
2016/0040898 A1\* 2/2016 Lipinski ..... F23L 17/04  
454/242  
2016/0102885 A1\* 4/2016 Karkheck ..... H02S 20/23  
454/367  
2017/0037633 A1\* 2/2017 Ainger ..... E04D 13/17

\* cited by examiner

*Primary Examiner* — Cathron C Brooks  
*Assistant Examiner* — Sharon S Oum  
(74) *Attorney, Agent, or Firm* — Duane Morris LLP

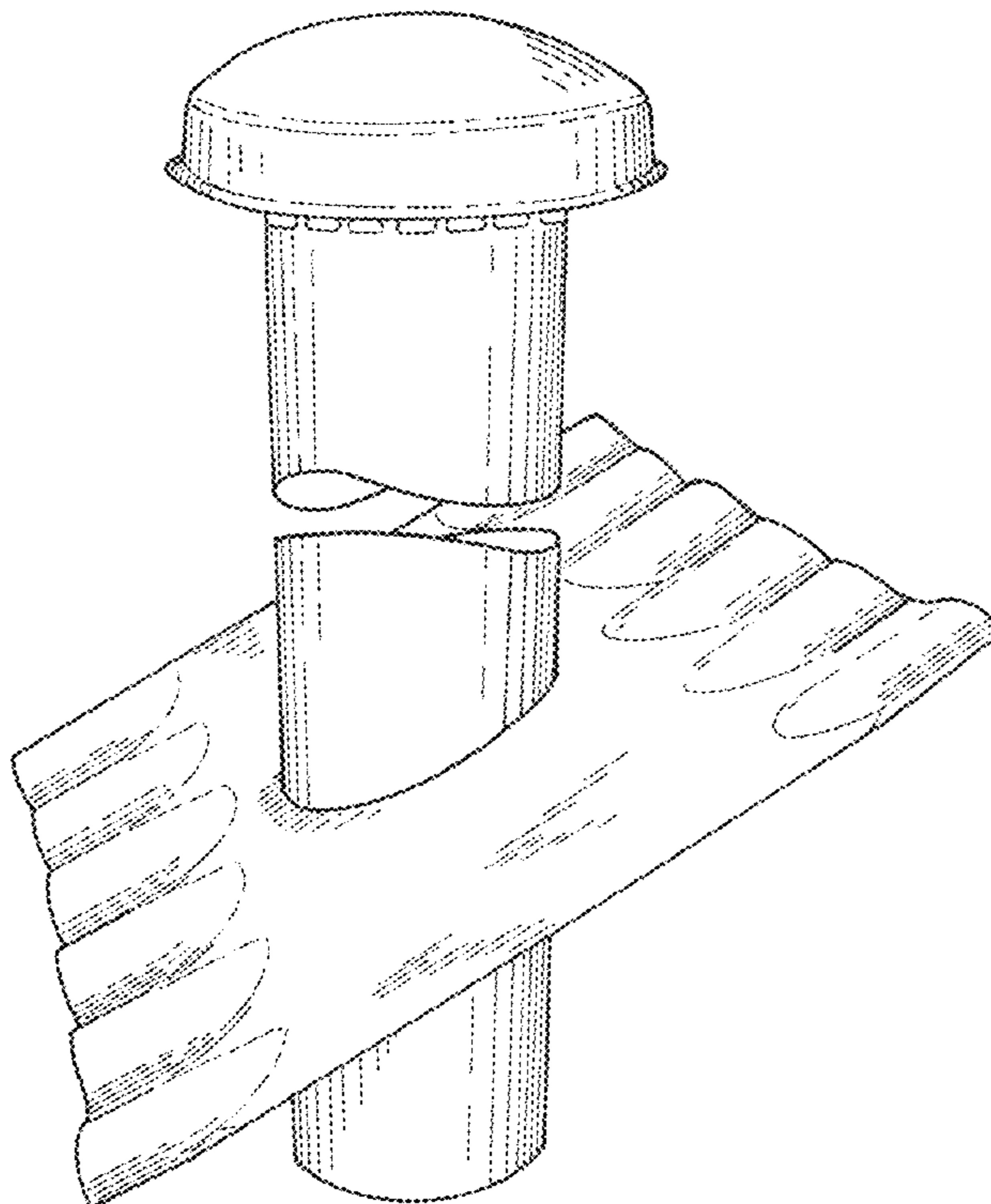
(57) **CLAIM**

The ornamental design for a roof vent assembly, as shown and described.

**DESCRIPTION**

FIG. 1 is a Perspective View of the roof vent assembly; FIG. 2 is a Front Elevational View of the roof vent assembly; FIG. 3 is a Side Elevational View of the roof vent assembly; and, FIG. 4 is a Top Plan View of the roof vent assembly. The claimed design is shown with a symbolic break in its length. The appearance of any portion of the article between the break lines forms no part of the claimed design. The broken lines illustrate portions of the roof vent assembly that form no part of the claimed design.

**1 Claim, 4 Drawing Sheets**



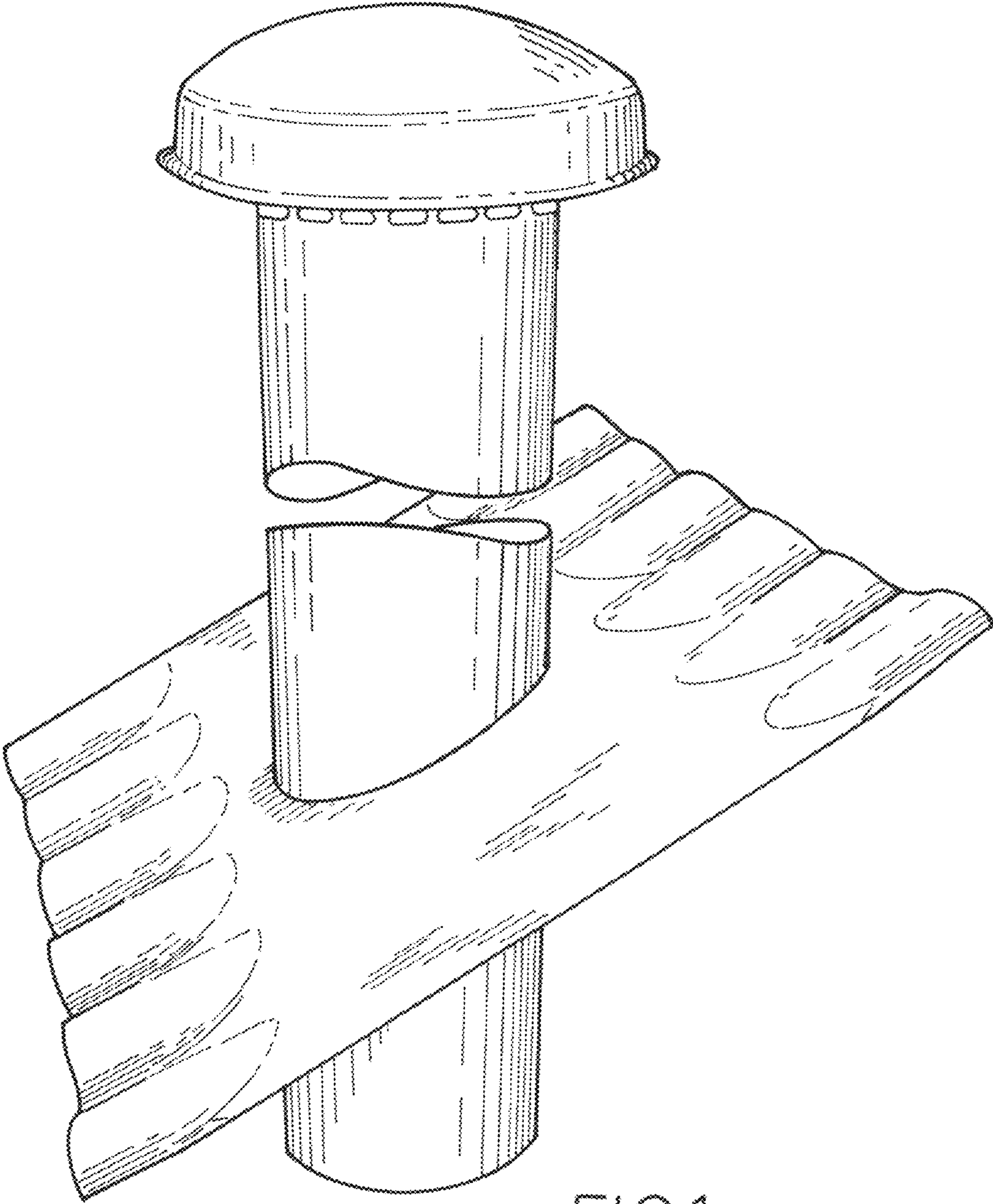


FIG.1

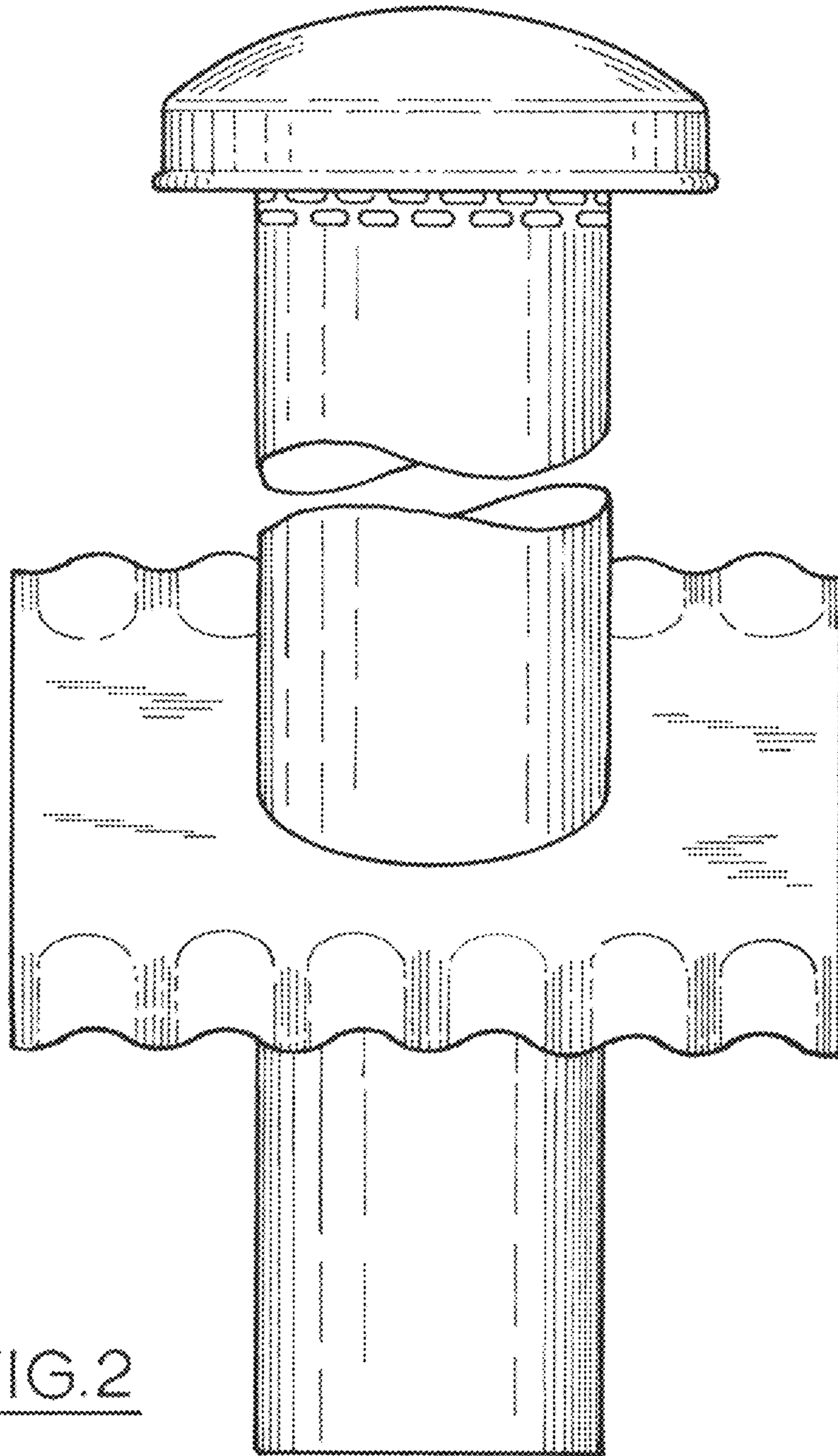


FIG. 2

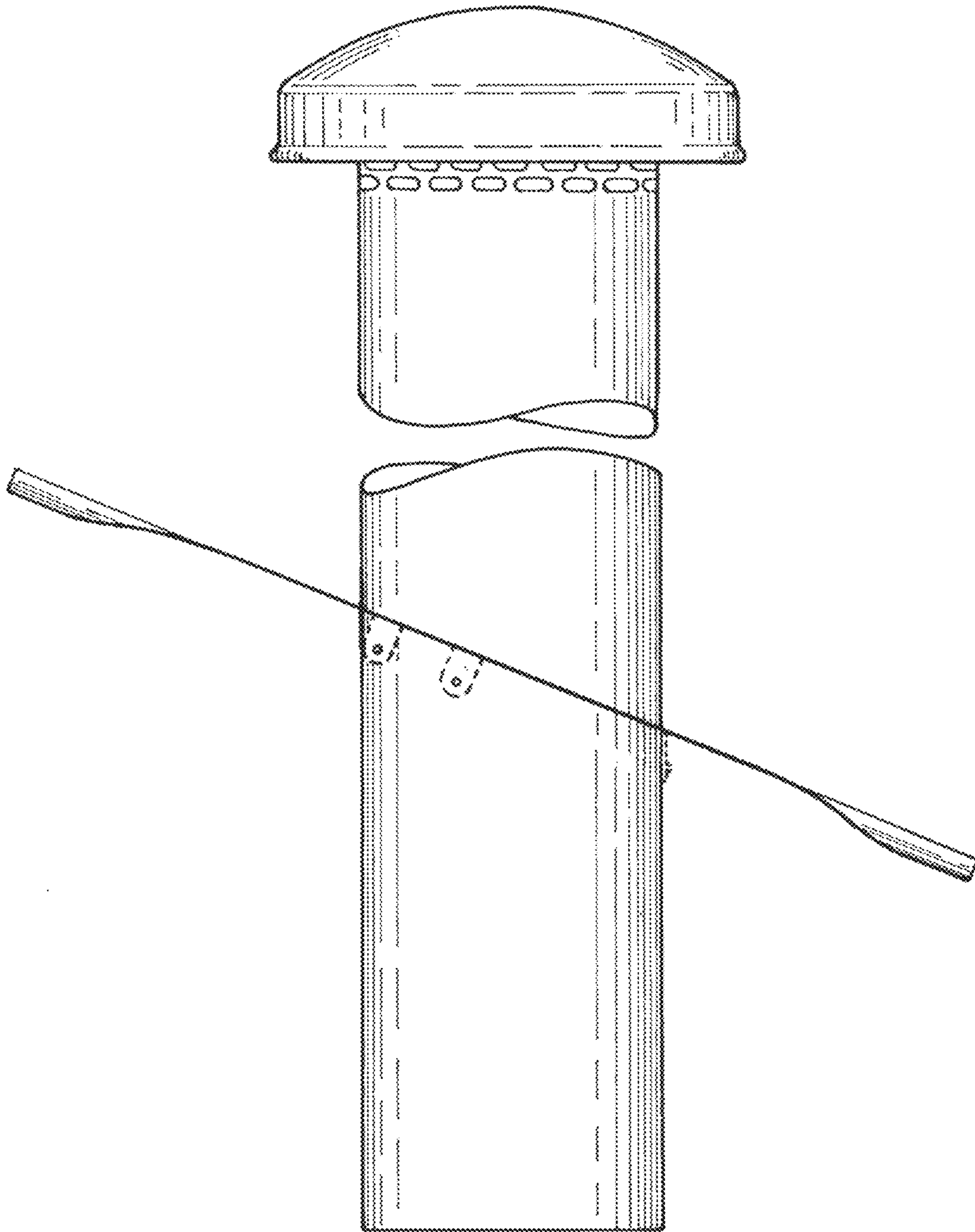


FIG. 3

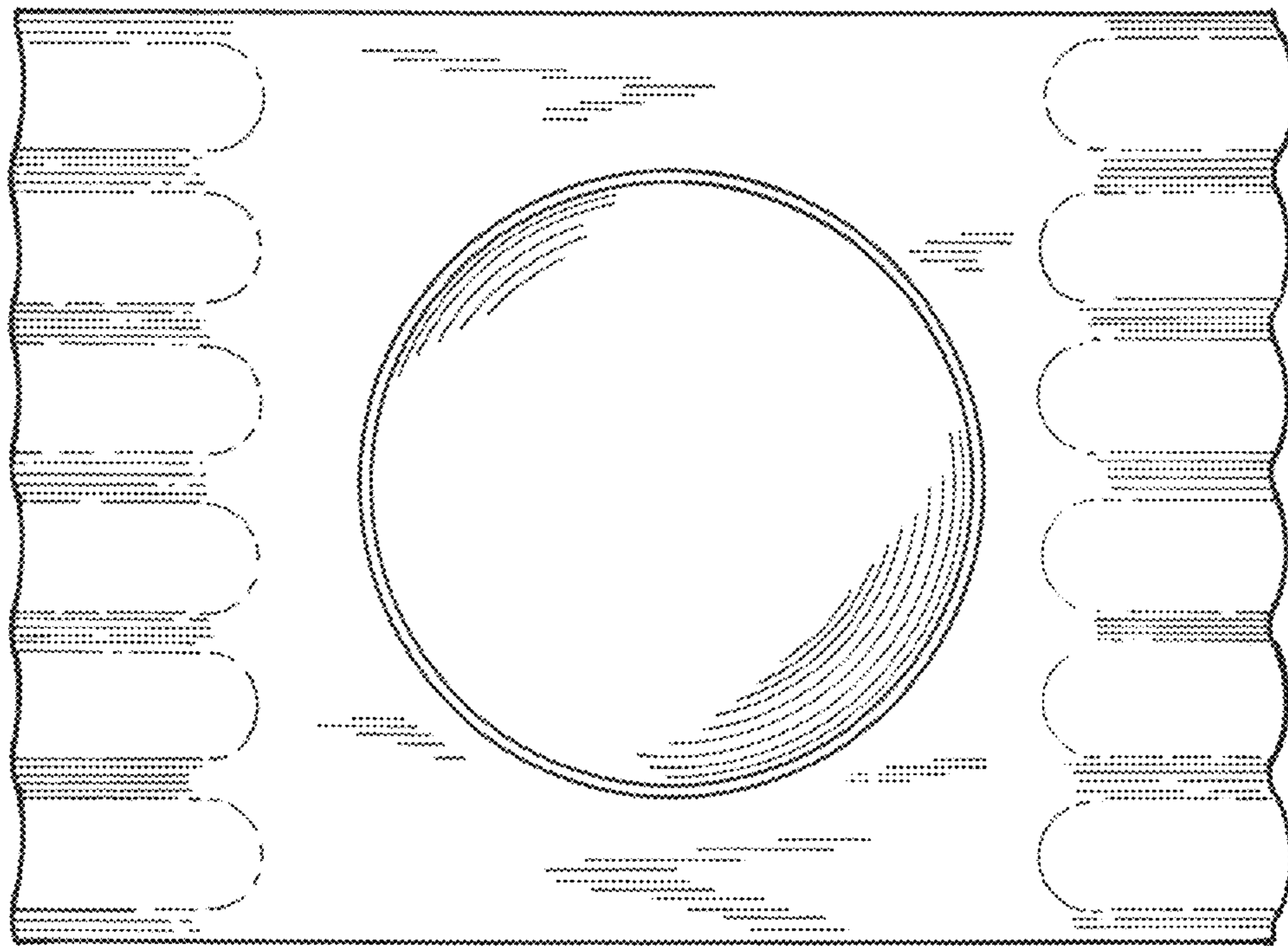


FIG. 4