



US00D820428S

(12) **United States Design Patent** (10) **Patent No.:** **US D820,428 S**
Sinur (45) **Date of Patent:** **** Jun. 12, 2018**

(54) **RANGE HOOD**

(71) Applicant: **Broan-NuTone LLC**, Hartford, WI (US)

(72) Inventor: **Richard R. Sinur**, West Bend, WI (US)

(73) Assignee: **Broan-NuTone LLC**, Hartford, WI (US)

(**) Term: **15 Years**

(21) Appl. No.: **29/530,711**

(22) Filed: **Jun. 18, 2015**

Related U.S. Application Data

(62) Division of application No. 29/458,589, filed on Jun. 20, 2013, now Pat. No. Des. 743,520.

(51) **LOC (11) Cl.** **23-04**

(52) **U.S. Cl.**
USPC **D23/372**

(58) **Field of Classification Search**
USPC D23/370, 371, 372, 411
CPC ... F24C 15/2042; F24C 15/2035; F24C 15/20
See application file for complete search history.

(56) **References Cited**

U.S. PATENT DOCUMENTS

1,030,028	A	6/1912	Stampaher et al.
1,395,833	A	11/1921	Kling et al.
1,532,635	A	4/1925	Osbn
1,713,101	A	5/1929	Starrett
1,886,841	A	11/1932	Searles
1,895,642	A	1/1933	Livingston
1,941,450	A	1/1934	Sylvan
2,019,867	A	11/1935	Nelson
2,021,086	A	11/1935	Oskamp
D107,399	S	12/1937	Broadwin
2,108,283	A	2/1938	Drew et al.

D109,887	S	5/1938	Fordyce
2,182,690	A	12/1939	Cole
D118,359	S	1/1940	Arenberg
D120,266	S	4/1940	Kurth et al.
D120,772	S	5/1940	Arenberg

(Continued)

FOREIGN PATENT DOCUMENTS

BE	648597	9/1964
CA	108550	1/2006

(Continued)

OTHER PUBLICATIONS

“U.S. Appl. No. 29/458,589, Response filed Apr. 27, 2015 to Restriction Requirement dated Apr. 9, 2015”, 4 pgs.

(Continued)

Primary Examiner — Janice Hallmark

(74) *Attorney, Agent, or Firm* — McDermott Will & Emery LLP

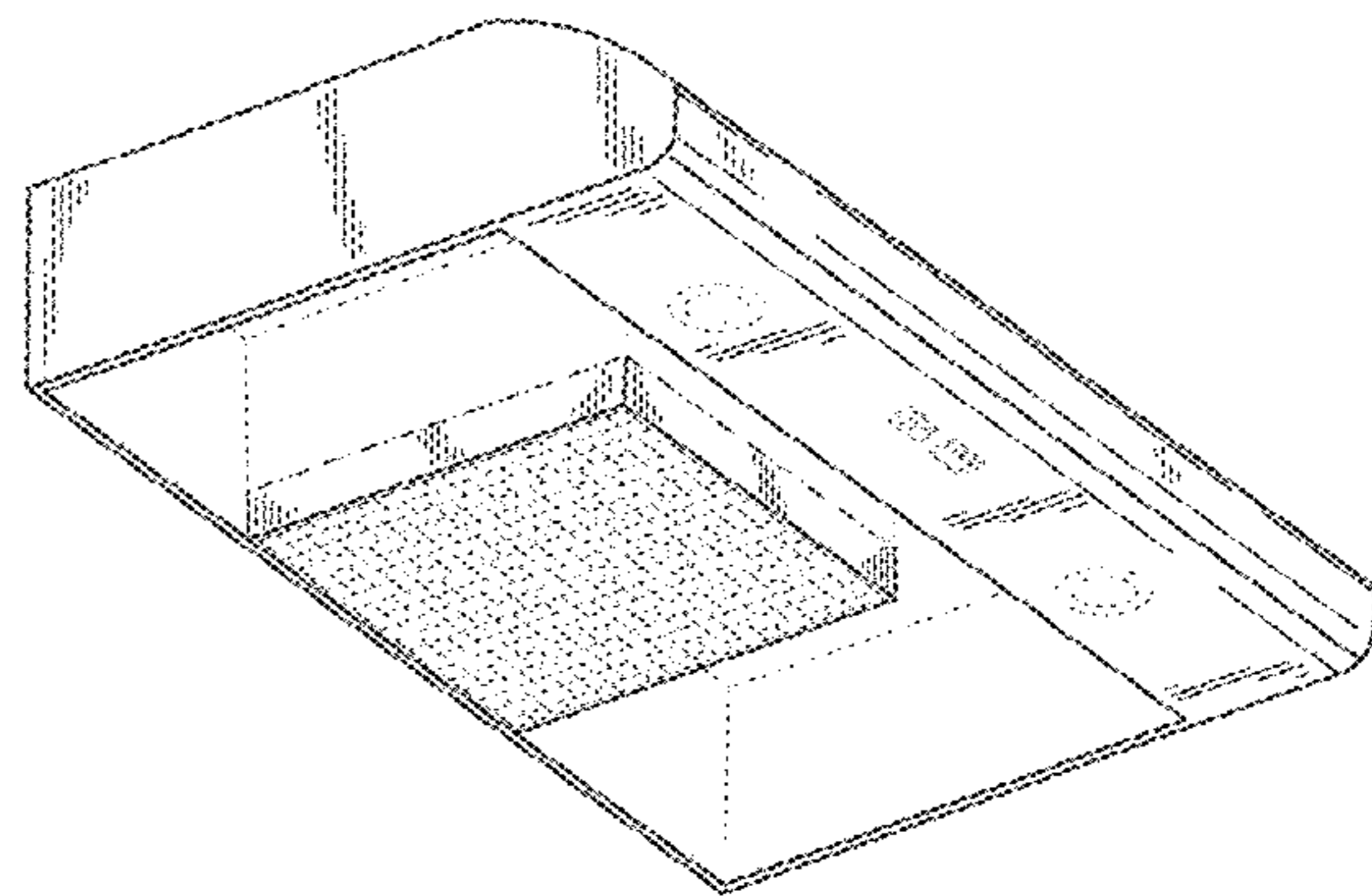
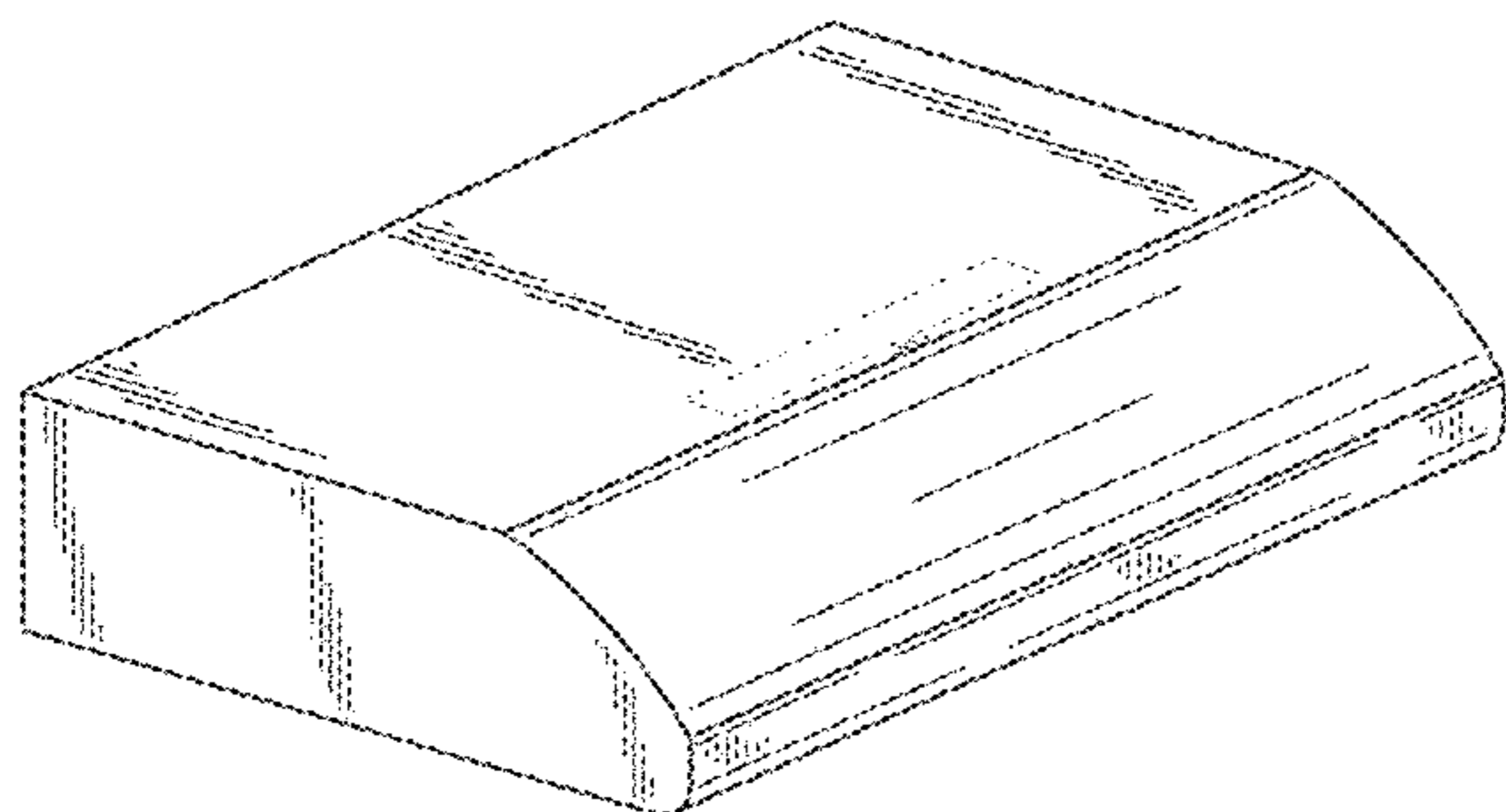
(57) **CLAIM**

I claim the ornamental design for an range hood, as shown and described.

DESCRIPTION

FIG. 1 is a top perspective view of a range hood;
FIG. 2 is a bottom perspective view of a range hood of FIG. 1;
FIG. 3 is a top view of a range hood of FIG. 1;
FIG. 4 is a front view of a range hood of FIG. 1;
FIG. 5 is a side view of a range hood of FIG. 1;
FIG. 6 is a rear view of a range hood of FIG. 1; and,
FIG. 7 is a bottom view of a range hood of FIG. 1.
The features shown in broken lines depict environmental subject matter only and form no part of the claimed design.

1 Claim, 6 Drawing Sheets



(56)

References Cited

U.S. PATENT DOCUMENTS

D120,773 S	5/1940	Arenberg	3,636,306 A	1/1972	Bumpus
2,220,127 A	11/1940	Slyater	3,665,838 A	5/1972	Shepherd
2,222,081 A	11/1940	Leigh	3,690,245 A	9/1972	Ferlise et al.
D126,128 S	3/1941	Hallman	3,692,977 A	9/1972	Duhamel et al.
2,240,617 A	5/1941	Harrigan	3,698,833 A	10/1972	Cann et al.
2,278,581 A	4/1942	Dexter	3,732,030 A	5/1973	Mullings
D132,865 S	6/1942	Drollinger	3,743,439 A	7/1973	Cann
2,325,657 A	8/1943	Burkness	D229,181 S	11/1973	Bledsoe
D153,313 S	4/1949	Phillips	3,777,650 A	12/1973	Wenig
2,472,748 A	6/1949	Labus	3,785,271 A	1/1974	Joy
2,483,377 A	9/1949	Young	3,788,207 A	1/1974	Doherty, II
2,487,607 A	11/1949	Sonntag	3,861,894 A	1/1975	Marsh
D157,014 S	1/1950	Walker	3,875,678 A	4/1975	Vits
2,576,860 A	11/1951	Shapiro	3,926,537 A	12/1975	Piper
D165,982 S	2/1952	Kennedy	3,952,638 A	4/1976	Felter et al.
D166,324 S	4/1952	Kurth	D244,764 S	6/1977	Grubauer
D171,505 S	2/1954	Kruger	D244,854 S	6/1977	Salamone
2,668,491 A	2/1954	Gerlitz	4,073,597 A	2/1978	Barnhart et al.
2,673,514 A	3/1954	Hanks	4,115,082 A	9/1978	Newell et al.
D173,120 S	9/1954	Levenhagen	4,120,290 A	10/1978	Bowen, Jr. et al.
2,689,906 A	9/1954	Corbett	4,141,703 A	2/1979	Mulchi
2,697,163 A	12/1954	Spear	4,203,332 A	5/1980	Corsetti
2,710,573 A	6/1955	Marker	D256,047 S	7/1980	Wormington
D179,237 S	11/1956	Bernstein	D257,060 S	9/1980	Mann
2,780,981 A	2/1957	Miller	D258,083 S	1/1981	Gammell
2,790,375 A	4/1957	Broberg	4,252,547 A	2/1981	Johnson
2,799,213 A	7/1957	Hansen	4,259,944 A	4/1981	Kalthoff et al.
2,800,069 A	7/1957	Smith	D261,803 S	11/1981	Bohanon, Jr.
D180,727 S	8/1957	Bourner	D262,457 S	12/1981	Swales
2,807,994 A	10/1957	Bernstein	4,319,898 A	3/1982	Maierhofer
2,811,094 A	10/1957	Auer	4,335,647 A	6/1982	Timmons
2,824,429 A	2/1958	Zucker	4,336,749 A	6/1982	Barnhart et al.
2,831,550 A	4/1958	Bub	D267,828 S	2/1983	Cohen
D183,117 S	7/1958	Coleman et al.	D268,952 S	5/1983	Anderson
2,875,678 A	3/1959	Shepherd	4,382,440 A	5/1983	Kapp et al.
2,886,124 A	5/1959	Scharmer	4,385,550 A	5/1983	Steiner et al.
2,911,900 A	11/1959	Emil	4,385,911 A	5/1983	Popeil et al.
2,939,377 A	6/1960	Stach	4,406,216 A	9/1983	Hott et al.
2,963,956 A	12/1960	Hill	D271,984 S	12/1983	Nelson et al.
2,987,258 A	6/1961	North	D274,934 S	7/1984	Johnson
2,993,428 A	7/1961	Wermager	D275,988 S	10/1984	Walker
2,996,972 A	8/1961	Ake	D276,282 S	11/1984	Burg
3,001,056 A	9/1961	Spear	D277,298 S	1/1985	Nelson
3,002,676 A	10/1961	Papsdorf	D277,299 S	1/1985	Nelson
D192,312 S	2/1962	Hart	4,510,851 A	4/1985	Sarnosky et al.
3,028,475 A	4/1962	Nash	D282,275 S	1/1986	Price
3,045,579 A	7/1962	Jenn et al.	D282,972 S	3/1986	Castor et al.
D193,868 S	10/1962	Bloomfield et al.	4,594,940 A	6/1986	Wolbrink et al.
3,064,548 A	11/1962	Field	4,610,705 A	9/1986	Sarnosky et al.
3,068,341 A	12/1962	Ortiz et al.	D286,446 S	10/1986	Caroli et al.
3,075,335 A	1/1963	Bandlow et al.	4,628,802 A	12/1986	Steiner et al.
3,097,287 A	7/1963	Knoll et al.	D287,888 S	1/1987	Castor et al.
3,098,423 A	7/1963	Giannini	D288,007 S	1/1987	Jonas et al.
3,101,662 A	8/1963	Alldritt	D288,396 S	2/1987	Ritman
D196,618 S	10/1963	Hammes	4,681,024 A	7/1987	Ivey
3,125,869 A	3/1964	Winton	4,722,266 A	2/1988	Deckert
D199,045 S	9/1964	Everts	D295,675 S	5/1988	Demarest
3,194,146 A	7/1965	Jenson	4,754,697 A	7/1988	Asselbergs
3,211,080 A	10/1965	Rader	4,776,798 A	10/1988	Crawford
3,212,425 A	10/1965	Hazen et al.	D300,777 S	4/1989	Bales et al.
3,215,828 A	11/1965	Bonvallet et al.	D300,847 S	4/1989	Lin
3,249,037 A	5/1966	Stalker	4,862,334 A	8/1989	Ivey et al.
3,250,063 A	5/1966	Andrews	D303,436 S	9/1989	Clyde-Mason
3,276,597 A	10/1966	Mesek et al.	4,867,640 A	9/1989	Penlesky et al.
3,326,112 A	6/1967	Sadlow et al.	4,898,149 A	2/1990	Cohn
3,332,334 A	7/1967	Melzer	D312,685 S	12/1990	Fleming et al.
3,347,025 A	10/1967	Wiley	4,991,496 A	2/1991	Kuno et al.
3,391,669 A	7/1968	Roger	D315,204 S	3/1991	Fleming et al.
3,438,180 A	4/1969	Klouda	D315,790 S	3/1991	Koessler
3,460,322 A	8/1969	Rivers et al.	5,027,790 A	7/1991	Chern
3,572,234 A	3/1971	Schoenthaler	D322,667 S	12/1991	Fukuda et al.
3,577,710 A	5/1971	Feldman	D323,209 S	1/1992	Fukumoto et al.
3,585,920 A	6/1971	Johnson	D323,554 S	1/1992	Hoyt
3,606,593 A	9/1971	Steiner	D325,434 S	4/1992	Dosmann
3,630,007 A	12/1971	Neumann	D325,651 S	4/1992	Sonneman
			D325,966 S	5/1992	Wei
			D327,541 S	6/1992	Chen
			D328,650 S	8/1992	Jones
			D330,585 S	10/1992	Saito et al.

(56)

References Cited

U.S. PATENT DOCUMENTS

D331,458 S	12/1992	Saito et al.	D426,292 S	6/2000	Nanjo
D331,638 S	12/1992	Vamberszky et al.	D426,657 S	6/2000	Joss
D334,053 S	3/1993	Cook	D427,009 S	6/2000	Iyengar et al.
5,197,920 A	3/1993	Ganse	D427,303 S	6/2000	Brown
D334,977 S	4/1993	Avari	D428,645 S	7/2000	Rossmann et al.
D336,895 S	6/1993	Rogov	D431,075 S	9/2000	Barraclough
5,230,327 A	7/1993	Jang et al.	D433,116 S	10/2000	Han et al.
D338,954 S	8/1993	Brock	D433,495 S	11/2000	Segers
D340,109 S	10/1993	Julien	D434,126 S	11/2000	Caronna et al.
D341,442 S	11/1993	Shapiro	D435,124 S	12/2000	Yuen
5,305,734 A	4/1994	Jang	D435,705 S	12/2000	Powers et al.
5,319,942 A	6/1994	Paustian	D436,658 S	1/2001	Goulet
D349,778 S	8/1994	Johnson et al.	D436,926 S	1/2001	Lew
D350,191 S	8/1994	Tsuji	D437,077 S	1/2001	Minissi et al.
5,333,830 A	8/1994	Millen	D437,405 S	2/2001	Schrank
D350,409 S	9/1994	Johnson et al.	D438,328 S	2/2001	Pan
D352,564 S	11/1994	Marischen	D438,948 S	3/2001	Schrank
5,363,837 A	11/1994	Jang	6,216,686 B1	4/2001	Chiu
5,377,665 A	1/1995	Jang	6,227,962 B1	5/2001	Orendorff
D357,732 S	4/1995	Spechts	D443,924 S	6/2001	Renella
D361,375 S	8/1995	Gallagher et al.	6,261,175 B1	7/2001	Larson et al.
D361,376 S	8/1995	Isabelle et al.	D446,850 S	8/2001	Arlotta et al.
D362,059 S	9/1995	Wojcik	D448,462 S	9/2001	Nanjo
5,448,987 A	9/1995	Jang	6,284,011 B1 *	9/2001	Chiang B01D 46/0005 55/471
D366,521 S	1/1996	Wijaranakula	D449,680 S	10/2001	Arlotta et al.
D366,522 S	1/1996	Lagace et al.	D450,829 S	11/2001	Bothe et al.
D367,319 S	2/1996	Isabelle et al.	D451,187 S	11/2001	Webb
D367,924 S	3/1996	Patel	D451,587 S	12/2001	Goulet
D372,767 S	8/1996	Borges	D452,904 S	1/2002	Peng
D372,775 S	8/1996	Schuler	D452,905 S	1/2002	Peng
D374,927 S	10/1996	Chabot	D452,906 S	1/2002	Peng
D375,350 S	11/1996	Patel et al.	D453,375 S	2/2002	Peng
D375,351 S	11/1996	Conforti	D453,564 S	2/2002	Schrank
D376,214 S	12/1996	Pinchuk	D454,391 S	3/2002	Schrank
D376,639 S	12/1996	Moore	D457,232 S	5/2002	Miura
D376,842 S	12/1996	Franklin et al.	D457,616 S	5/2002	Yamanaka et al.
D377,535 S	1/1997	Shulman	6,427,679 B1	8/2002	Chen
5,601,485 A	2/1997	Gigola	6,464,579 B1	10/2002	Salazar
D378,698 S	4/1997	Ukai et al.	6,488,579 B2	12/2002	Larson et al.
5,632,334 A	5/1997	Grinbergs et al.	6,503,060 B1	1/2003	Kamada
D380,823 S	7/1997	LaZar	6,537,146 B1	3/2003	Haynes
D382,549 S	8/1997	Yoshimoto	D473,297 S	4/2003	Bothe et al.
5,678,532 A	10/1997	Wu	D482,769 S	11/2003	Bothe et al.
D386,186 S	11/1997	Schnetzer et al.	6,651,454 B1	11/2003	Spiegel
D386,209 S	11/1997	Firestone et al.	6,653,566 B2	11/2003	Petak et al.
D387,859 S	12/1997	Ukai et al.	6,723,428 B1	4/2004	Foss et al.
D388,353 S	12/1997	Desborough et al.	6,750,760 B2	6/2004	Albritton et al.
D392,380 S	3/1998	Schrank et al.	6,802,310 B1	10/2004	Yeung
D393,708 S	4/1998	Assadi	6,889,948 B2	5/2005	Melancon et al.
D395,494 S	6/1998	Becker	6,979,169 B2	12/2005	Penlesky et al.
D395,495 S	6/1998	Wu	D521,622 S	5/2006	Bothe et al.
D396,275 S	7/1998	Pearson	D532,507 S	11/2006	Vetter
D398,417 S	9/1998	Fritzsche	D535,150 S	1/2007	Tse
5,820,247 A	10/1998	Schuler	D535,381 S	1/2007	Chiang
D401,682 S	11/1998	Galeazzi et al.	7,203,416 B2	4/2007	Craw et al.
D403,442 S	12/1998	Joss	D557,786 S	12/2007	Tse
D403,787 S	1/1999	Van Belle	D558,322 S	12/2007	Lebeuf et al.
D404,508 S	1/1999	Marischen	7,328,478 B2	2/2008	Jenkins
D405,207 S	2/1999	Mora	D566,822 S	4/2008	Blanchette et al.
D407,473 S	3/1999	Winbock	D567,929 S	4/2008	Tse
D407,521 S	3/1999	Crosby	D571,446 S	6/2008	Martin et al.
5,879,232 A	3/1999	Luter, II et al.	7,537,647 B2	5/2009	Adair et al.
D409,449 S	5/1999	Cornelissen	D594,956 S	6/2009	Blanchette et al.
5,918,972 A	7/1999	Van Belle	7,581,717 B1	9/2009	Thurkill
D412,566 S	8/1999	Taras et al.	7,596,960 B2	10/2009	Bee
D414,253 S	9/1999	Kobayashi et al.	D611,590 S	3/2010	Grey
5,971,847 A	10/1999	Webb	D611,591 S	3/2010	Grey
D416,315 S	11/1999	Nanjo	7,850,513 B1	12/2010	Parker et al.
D416,349 S	11/1999	Pahl	D635,235 S	3/2011	Hoshino et al.
D417,307 S	11/1999	Pahl	D659,232 S	5/2012	Funnell, II
D418,909 S	1/2000	Mockett	8,256,241 B2	9/2012	Ikeda et al.
D420,121 S	2/2000	Felix-Flender	D676,542 S	2/2013	Sinur et al.
6,027,406 A	2/2000	Yazici	D677,775 S	3/2013	Funnell, II
D424,672 S	5/2000	Nanjo	D694,385 S	11/2013	Funnell, II
D425,974 S	5/2000	Esty et al.	D694,393 S	11/2013	Funnell, II
			D695,387 S	12/2013	Murphey et al.
			D699,831 S	2/2014	Funnell, II
			D709,606 S	7/2014	Sinur et al.

(56)

References Cited

OTHER PUBLICATIONS

U.S. PATENT DOCUMENTS

8,864,447	B1	10/2014	Humphrey	
9,022,846	B1	5/2015	Tom	
9,028,212	B1	5/2015	Tom	
9,103,104	B1	8/2015	Tom	
9,131,814	B2	9/2015	Nakamura	
D743,520	S *	11/2015	Sinur	D23/372
9,182,138	B2	11/2015	Foreman et al.	
9,188,132	B1	11/2015	Tom	
D745,131	S *	12/2015	Sinur	D23/372
9,212,668	B2	12/2015	Deng et al.	
9,303,859	B2	4/2016	Hornig et al.	
9,303,888	B2	4/2016	Karst et al.	
D758,559	S *	6/2016	Sinur	D23/372
D785,777	S *	5/2017	Puffer	D23/370
2002/0083691	A1 *	7/2002	Chang	B01D 46/0005 55/385.1
2003/0220069	A1	11/2003	Orendorff	
2005/0016522	A1 *	1/2005	Yeung	F24C 15/20 126/299 D
2005/0095979	A1	5/2005	Moreno	
2005/0111840	A1	5/2005	Craw et al.	
2007/0167128	A1	7/2007	Popowitz	
2007/0256681	A1	11/2007	Chiang et al.	
2008/0190411	A1	8/2008	Chiang et al.	
2009/0130970	A1	5/2009	Jacak et al.	
2009/0170421	A1	7/2009	Adrian et al.	
2009/0280737	A1	11/2009	Jacak et al.	
2011/0036340	A1	2/2011	Chu	
2012/0083198	A1 *	4/2012	Sinur	F24C 15/20 454/237
2012/0087132	A1	4/2012	Zakula et al.	
2013/0087133	A1	4/2013	Davis et al.	
2013/0088855	A1	4/2013	Ye et al.	
2013/0233295	A1 *	9/2013	Oagley	F24C 15/20 126/299 D
2014/0063796	A1	3/2014	Zakula et al.	
2014/0116414	A1 *	5/2014	Sinur	F24C 15/2021 126/299 D
2015/0117034	A1	4/2015	Hornig et al.	
2015/0125292	A1	5/2015	Karst et al.	
2015/0140923	A1	5/2015	Penlesky	
2015/0219118	A1	8/2015	Zakula et al.	
2015/0241070	A1 *	8/2015	Lin	F24C 15/2035 126/299 D
2016/0029109	A1	1/2016	Liu et al.	
2016/0069561	A1	3/2016	Jonas et al.	
2016/0341433	A1 *	11/2016	Gauthier	F24C 15/2028
2017/0016629	A1 *	1/2017	Jiang	F04D 29/00

FOREIGN PATENT DOCUMENTS

CA	108557	1/2006
CA	2636643	12/2012
CA	163015	5/2016
CA	163016	5/2016
CA	163017	5/2016
CA	163018	5/2016
CN	303580220	2/2016
CN	303580221	2/2016
CN	303580222	2/2016
CN	303580223	2/2016
CN	303580224	2/2016
EP	1248048	10/2002

“Maytag 30 in. Non-Vented Range Hood in Stainless Steel”, Model # UXT4030AYS, Home Depot, [online] [retrieved on Sep. 23, 2013]. Retrieved from the Internet: <http://www.homedepot.com/p/Maytag-30-in-Non-Vented-Range-Hood-in-Stainless-Steel-UXT4030AYS/202832999#customer_reviews>, (Jul. 9, 2011), 5 pgs.

“Whirlpool 30" and 36" Range Hood Models UXT3030AY/UXT3036AY”, Installation Instructions and Use & Care Guide, [online] Retrieved from the Internet: <http://www.whirlpool.ca/digitalassets/UXT3030AYB/Use%20and%20Care_EN.pdf>, (2011), 28 pgs.

U.S. Appl. No. 29/458,592, filed Jun. 20, 2013, Range Hood.

U.S. Appl. No. 29/493,756, filed Jun. 12, 2014, Range Hood.

U.S. Appl. No. 29/458,589, filed Jun. 20, 2013, Range Hood.

“U.S. Appl. No. 11/968,250, Non Final Office Action dated Sep. 20, 2012”, 21 pgs.

“U.S. Appl. No. 11/968,250, Response filed Dec. 20, 2012 to Non Final Office Action dated Sep. 20, 2012”, 26 pgs.

“U.S. Appl. No. 11/968,250, Final Office Action dated Mar. 26, 2013”, 20 pgs.

“U.S. Appl. No. 11/968,250, Response filed May 24, 2013 to Final Office Action dated Mar. 26, 2013”, 34 pgs.

“U.S. Appl. No. 11/968,250, Advisory Action dated Jun. 24, 2013”, 3 pgs.

“U.S. Appl. No. 11/968,250, Non Final Office Action dated Aug. 22, 2013”, 18 pgs.

“U.S. Appl. No. 29/458,592, Non Final Office Action dated Sep. 27, 2013”, 7 pgs.

“U.S. Appl. No. 29/458,592, Response filed Dec. 27, 2013 to Non Final Office Action dated Sep. 27, 2013”, 8 pgs.

“U.S. Appl. No. 11/968,250, Final Office Action dated Jan. 22, 2014”, 18 pgs.

“U.S. Appl. No. 29/458,592, Notice of Allowance dated Mar. 4, 2014”, 6 pgs.

“U.S. Appl. No. 11/968,250, Non Final Office Action dated Jun. 19, 2014”, 18 pgs.

“U.S. Appl. No. 11/968,250, Response filed Sep. 19, 2014 to Non Final Office Action dated Jun. 19, 2014”, 11 pgs.

“U.S. Appl. No. 11/968,250, Final Office Action dated Nov. 26, 2014”, 20 pgs.

“U.S. Appl. No. 29/458,589, Restriction Requirement dated Apr. 9, 2015”, 7 pgs.

“U.S. Appl. No. 29/521,663, Restriction Requirement dated Dec. 3, 2015”, 6 pgs.

U.S. Appl. No. 29/521,663, Notice of Allowance dated Feb. 12, 2016, 7 pgs.

“Canadian Application Serial No. 165,307, Office Action dated Feb. 15, 2016” W/ English Translation, 2 pgs.

“Canadian Application Serial No. 165,366, Office Action dated Feb. 15, 2016”, with English Translation, 2 pgs.

“Canadian Application Serial No. 163,017, Response filed Mar. 9, 2016 to Office Action dated Nov. 9, 2015”, 8 pgs.

“Canadian Application Serial No. 163,018, Response filed Mar. 9, 2016 to Office Action dated Nov. 9, 2015”, 7 pgs.

“Canadian Application Serial No. 163,019, Response filed Mar. 9, 2016 to Office Action dated Nov. 9, 2015”, 7 pgs.

* cited by examiner

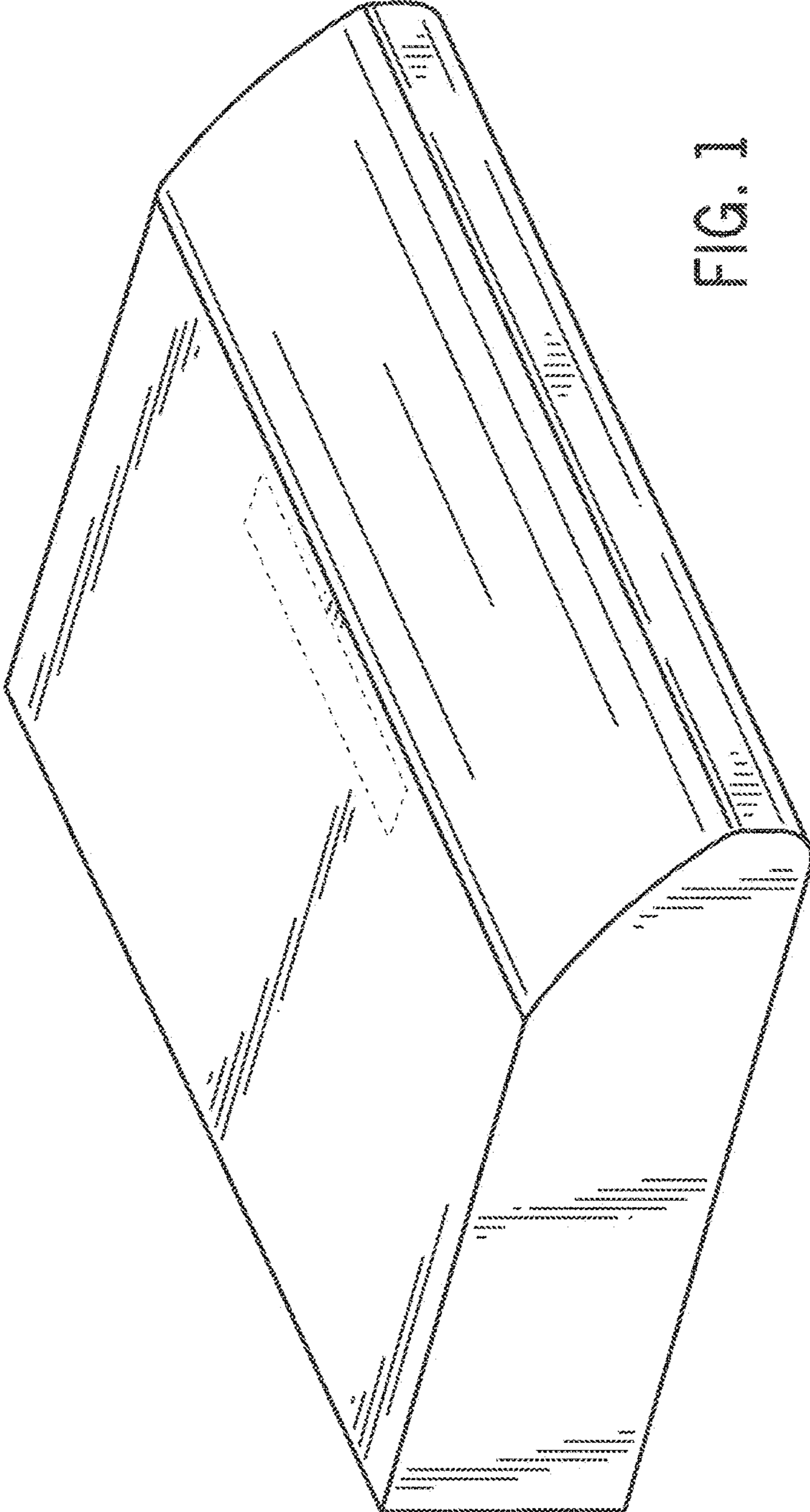


FIG. 1

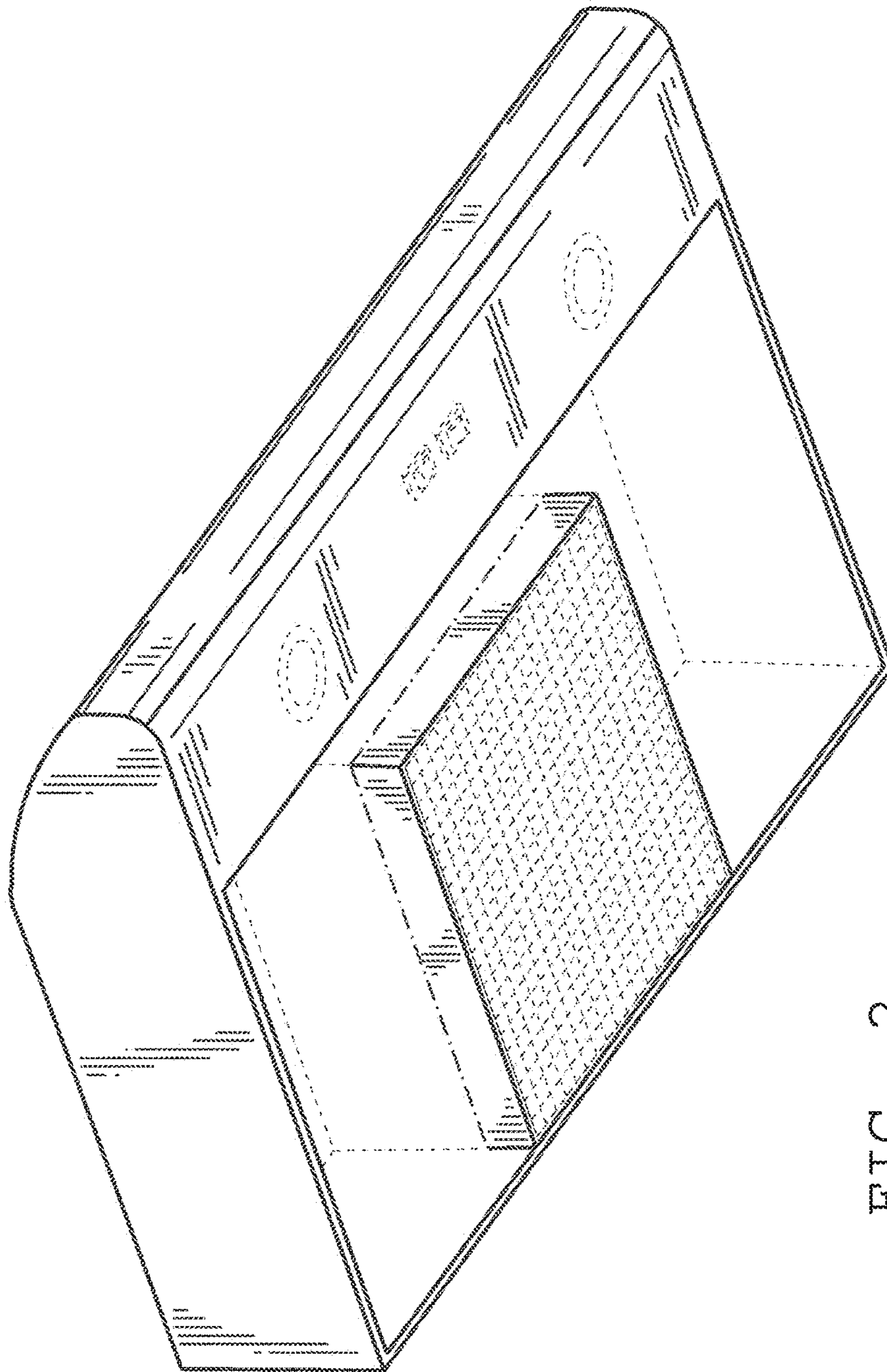


FIG. 2

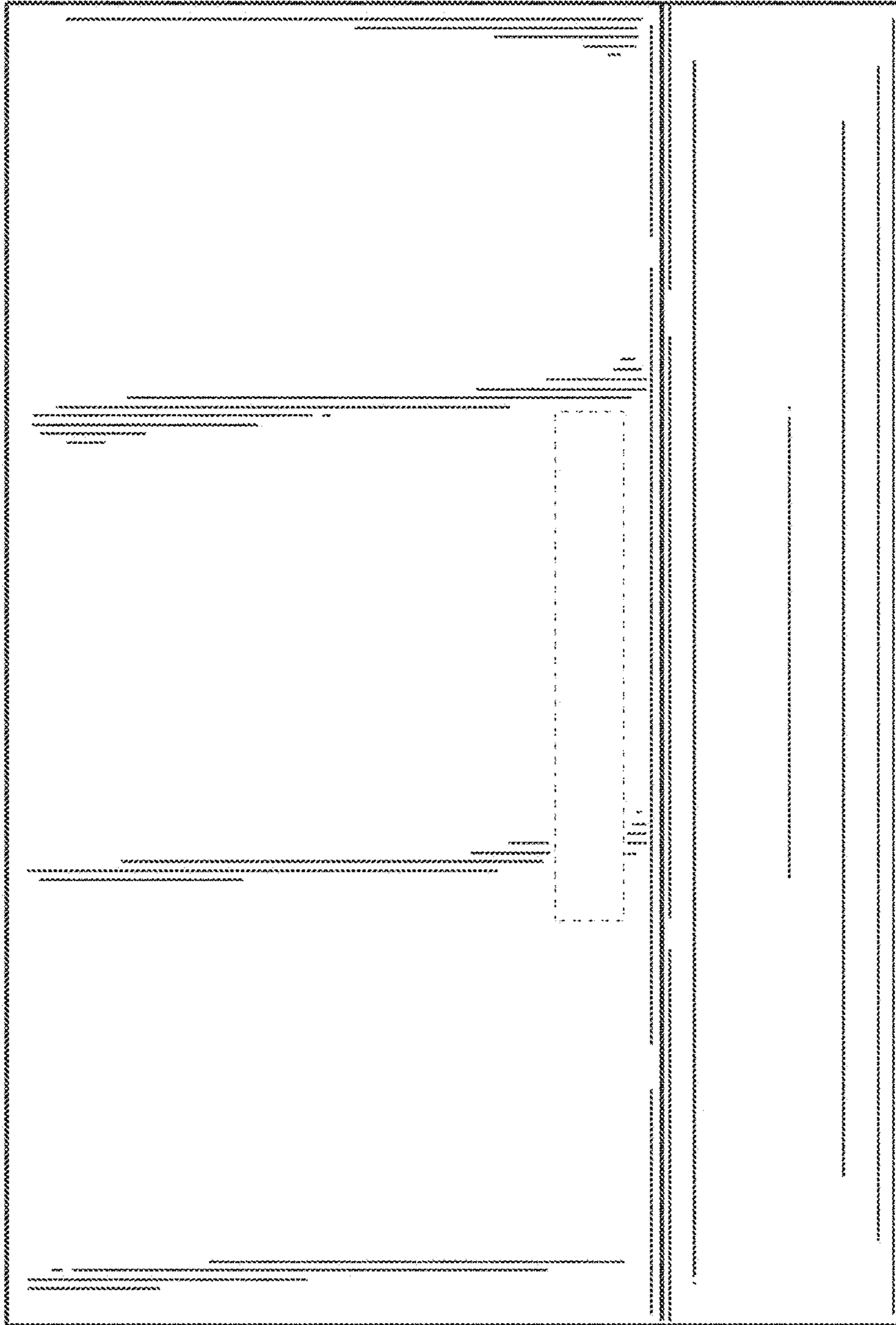


FIG. 3

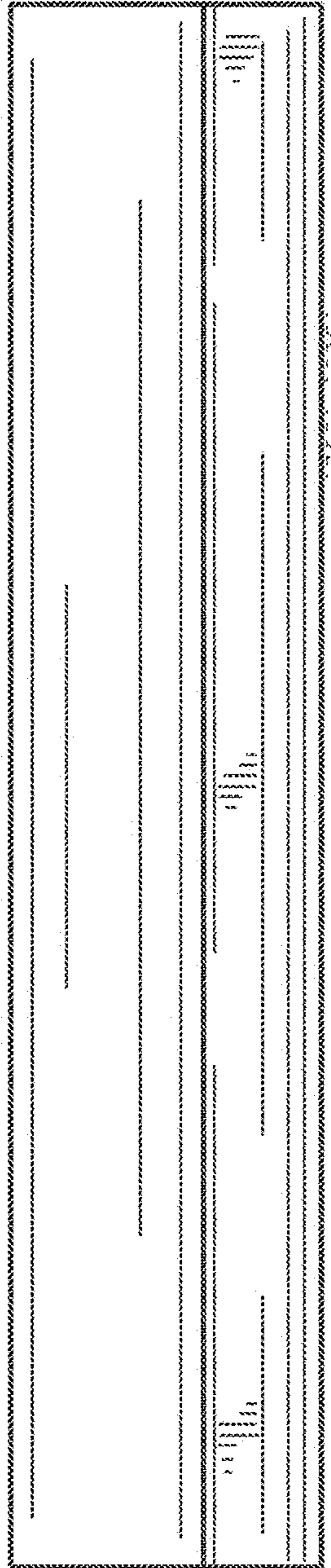


FIG. 4

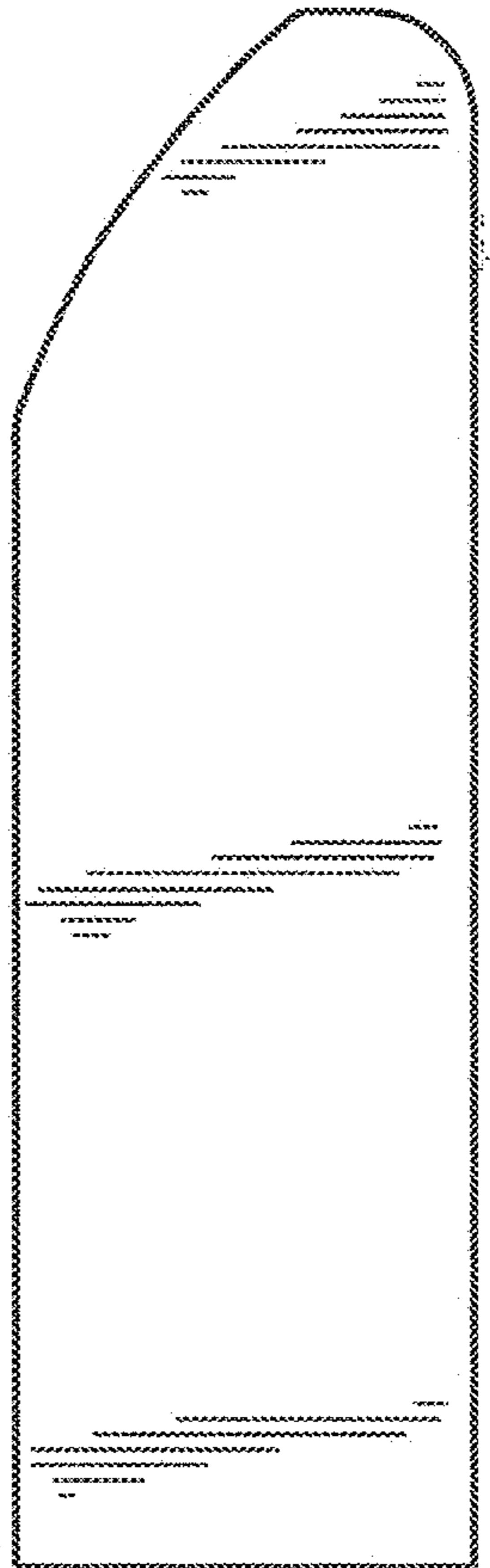


FIG. 5

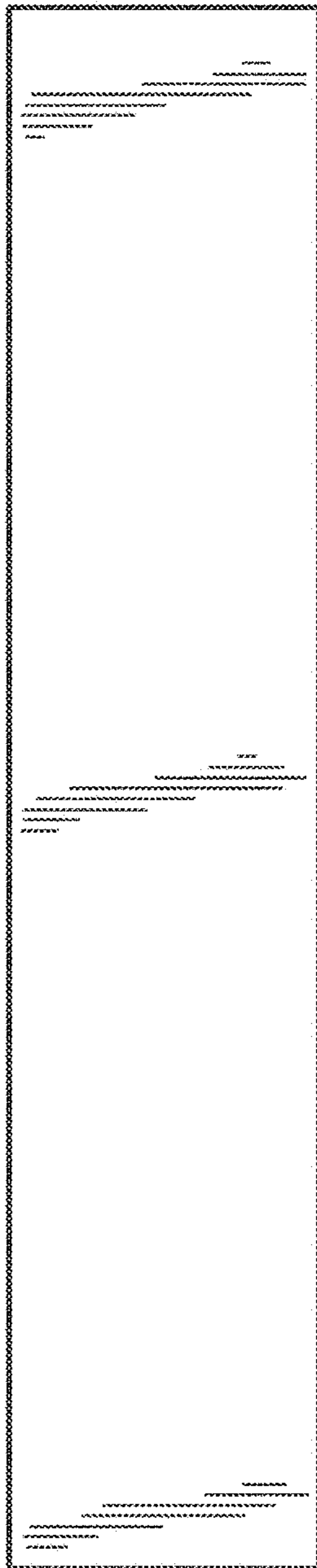


FIG. 6

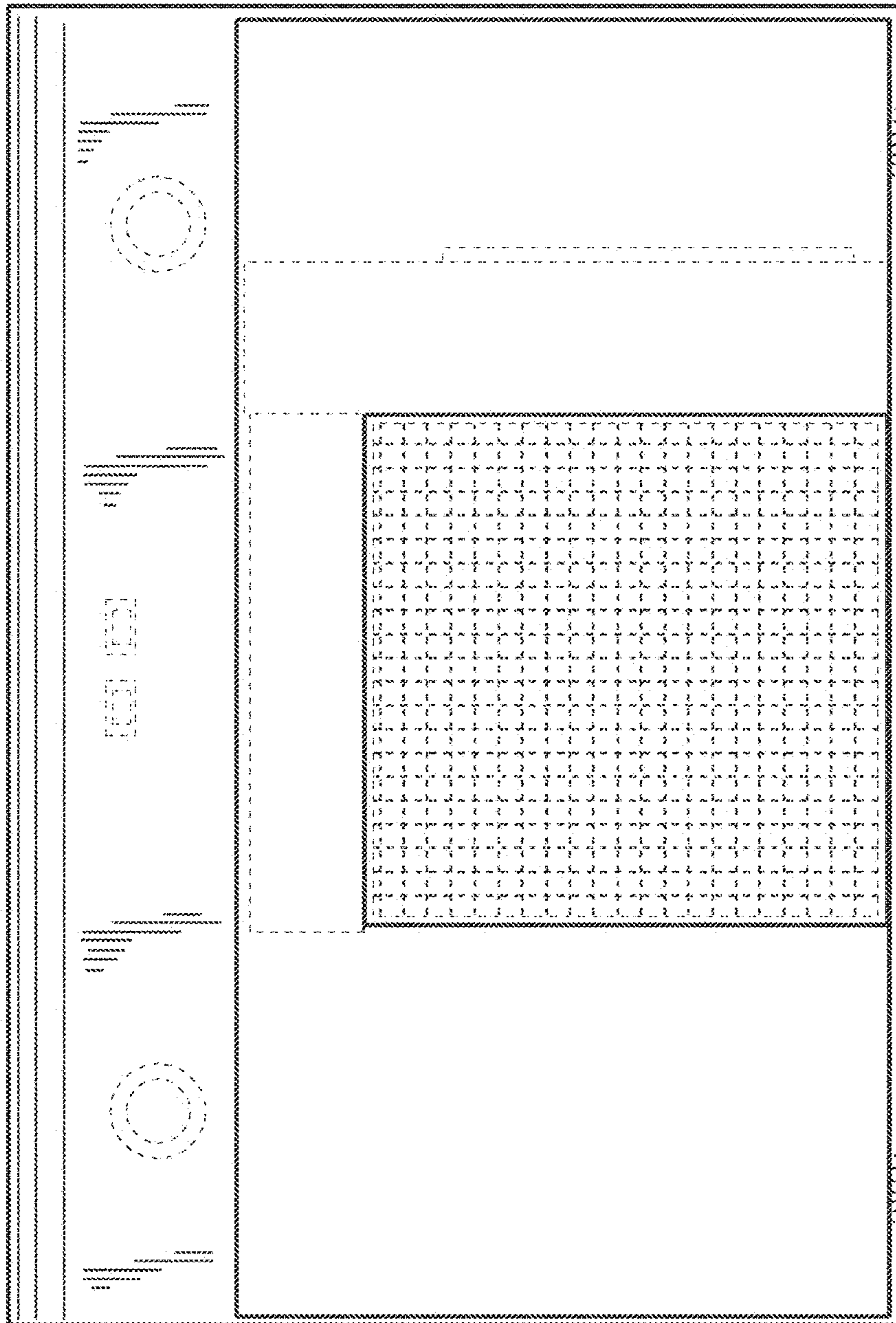


FIG. 7