



US00D820426S

(12) **United States Design Patent**
Li

(10) **Patent No.:** **US D820,426 S**
(45) **Date of Patent:** **** Jun. 12, 2018**

(54) **AROMA DIFFUSER**

(71) Applicant: **Puzhen Life Co., Limited**, Hong Kong (HK)

(72) Inventor: **Dong Sheng Li**, Hong Kong (HK)

(73) Assignee: **Puzhen Life Co., Limited**, Hong Kong (HK)

(**) Term: **15 Years**

(21) Appl. No.: **29/599,106**

(22) Filed: **Mar. 31, 2017**

(30) **Foreign Application Priority Data**

Oct. 4, 2016 (HK) 1601879.2M006

(51) **LOC (11) Cl.** **23-04**

(52) **U.S. Cl.**
USPC **D23/366**

(58) **Field of Classification Search**
USPC D23/208, 355-369; D9/500, 503-505
See application file for complete search history.

(56) **References Cited**

U.S. PATENT DOCUMENTS

D160,570 S * 10/1950 Bair D23/362
D179,194 S * 11/1956 Flury D23/362
D230,954 S * 3/1974 Gregoriotti D9/504
4,660,764 A * 4/1987 Joyaux A61L 9/12
239/44

D370,704 S * 6/1996 Oberhoff D21/684
D655,168 S * 3/2012 In D9/504
D692,551 S * 10/2013 Wirz D23/366
D719,248 S * 12/2014 Smith, Jr. D23/356
D753,279 S * 4/2016 Li D23/366
D758,557 S * 6/2016 Jih D23/355
D810,263 S * 2/2018 Lu D23/366
2016/0101206 A1* 4/2016 Huynh A61L 9/12
422/124

* cited by examiner

Primary Examiner — Sheryl Lane
Assistant Examiner — Calvin E Vasant

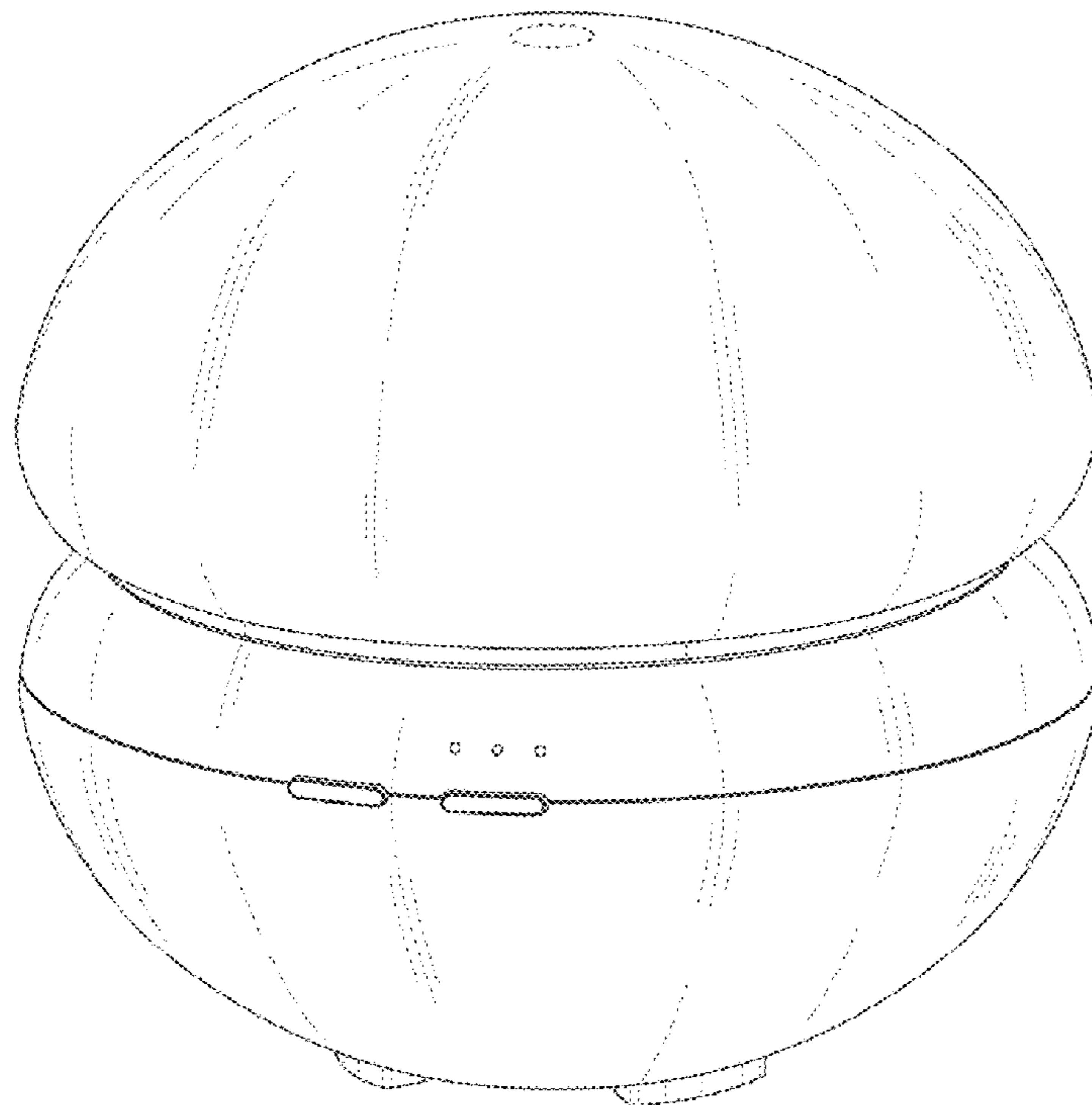
(57) **CLAIM**

The ornamental design for an aroma diffuser, as shown and described.

DESCRIPTION

FIG. 1 is a top plan view of an aroma diffuser showing my new design;
FIG. 2 is a bottom plan view thereof;
FIG. 3 is a front elevational view thereof;
FIG. 4 is a rear elevational view thereof;
FIG. 5 is a left side view thereof;
FIG. 6 is a right side view thereof;
FIG. 7 is a first perspective view thereof; and,
FIG. 8 is a second perspective view thereof.
The broken lines in the drawings illustrate portions of the aroma diffuser which form no part of the claimed design.

1 Claim, 8 Drawing Sheets



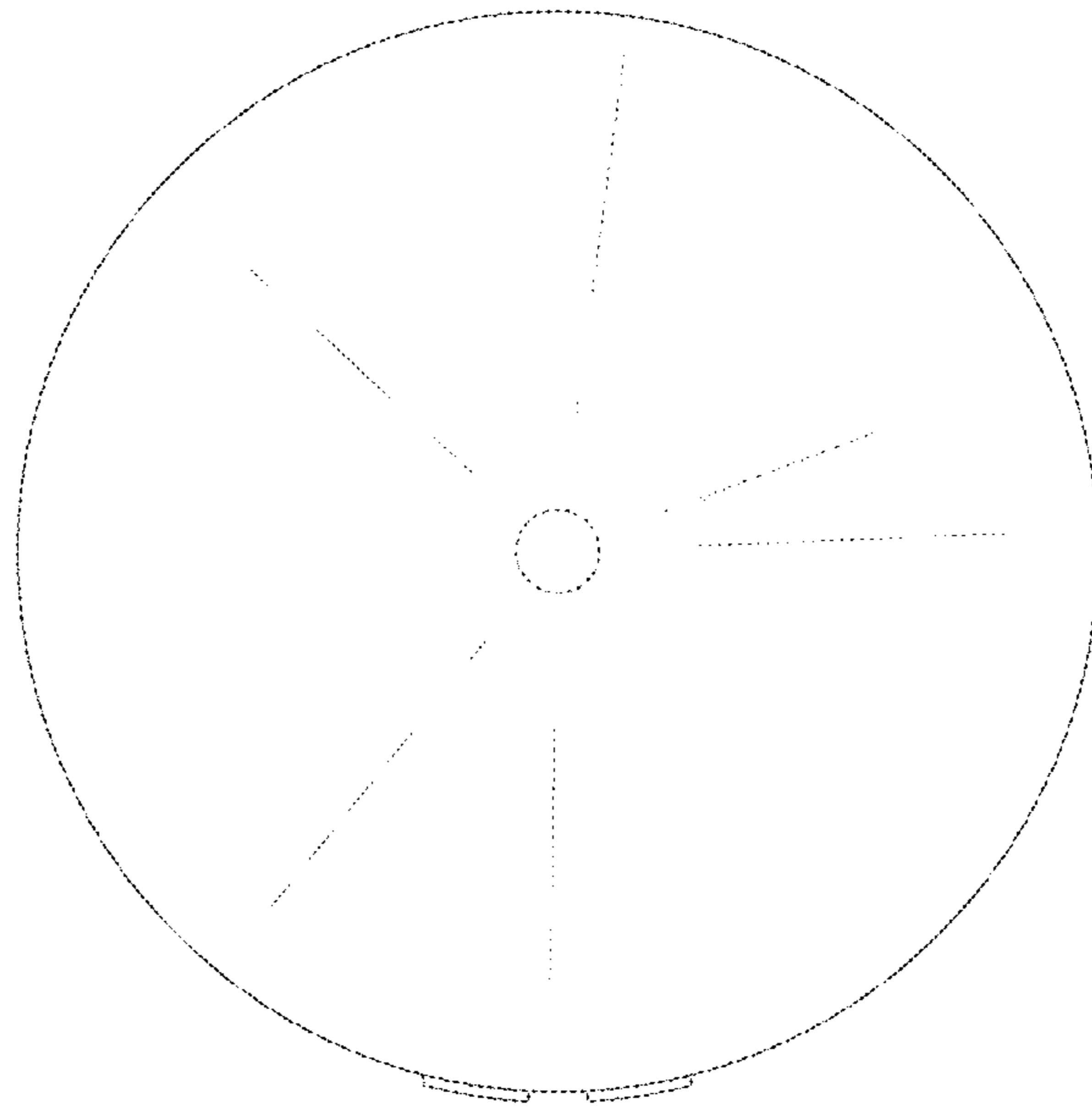


Fig. 1

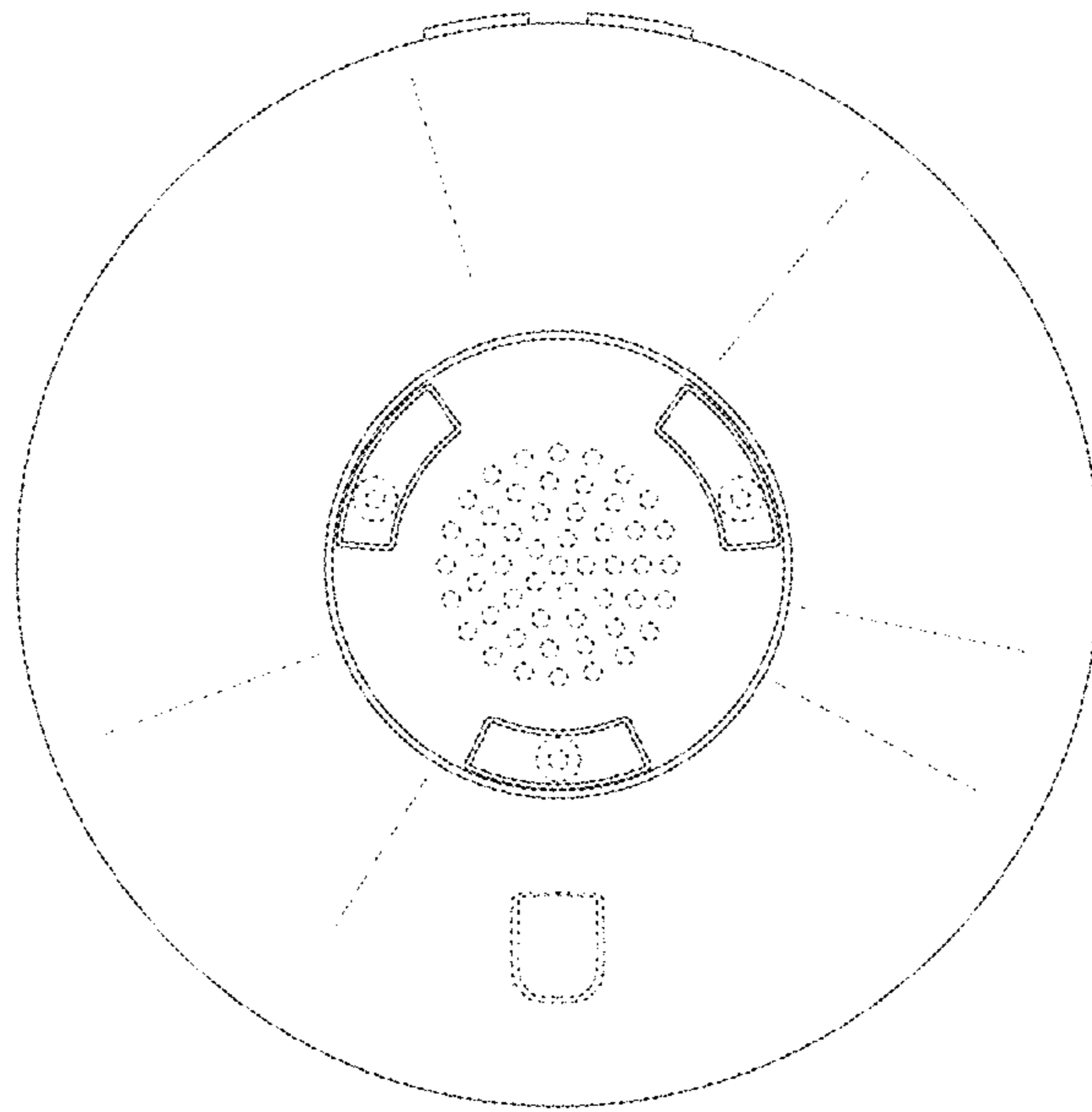


Fig. 2

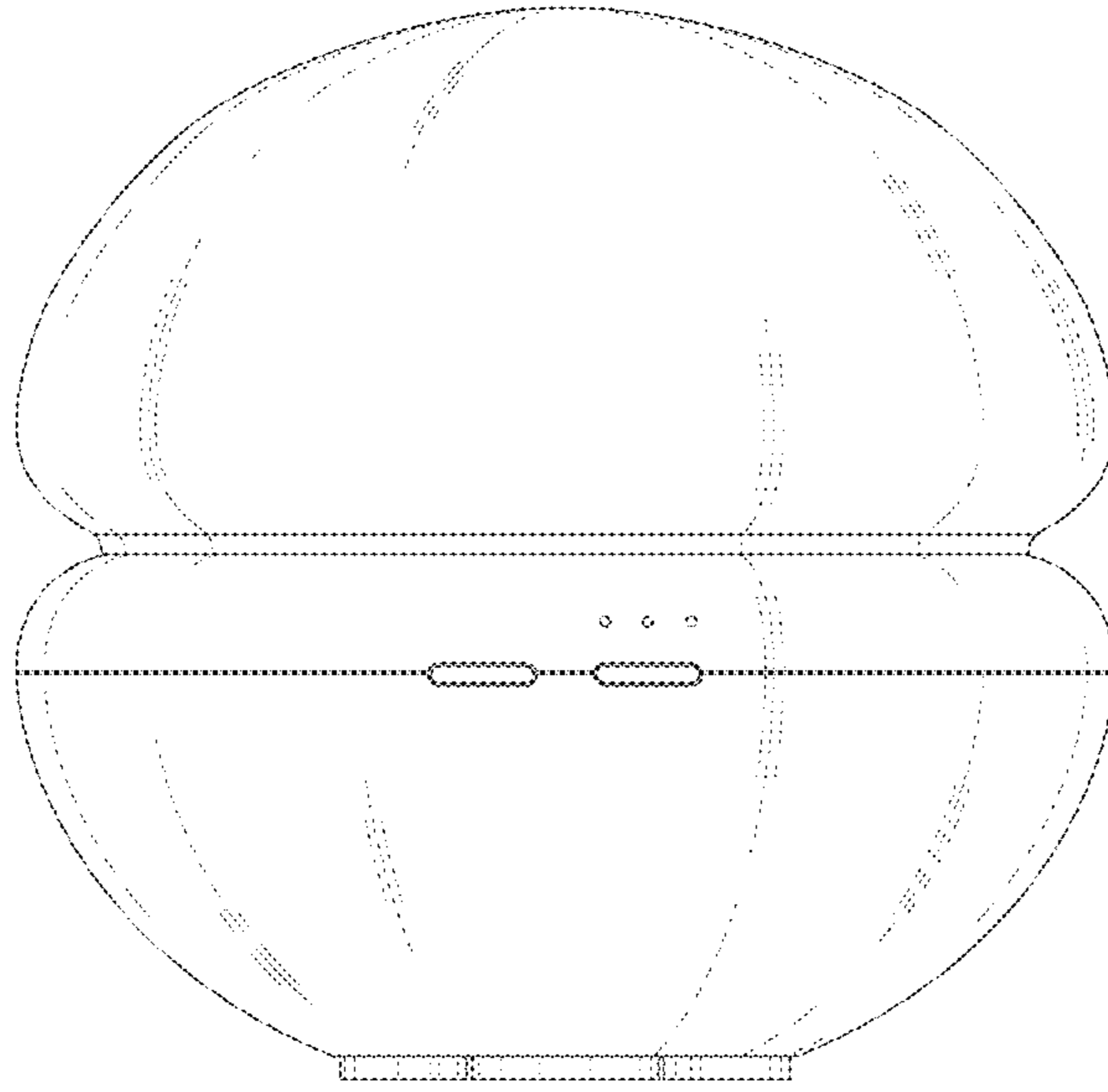


Fig. 3

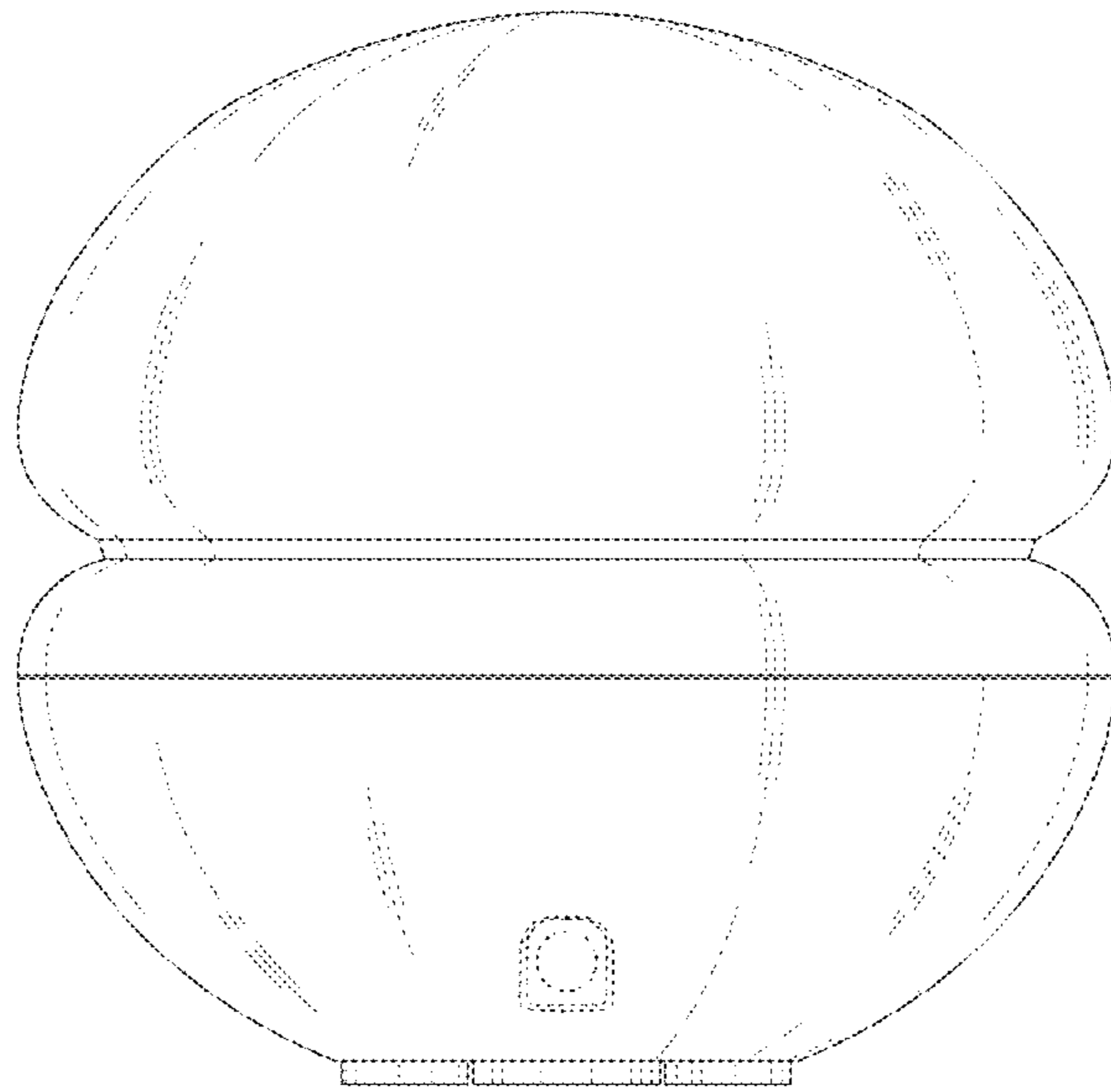


Fig. 4

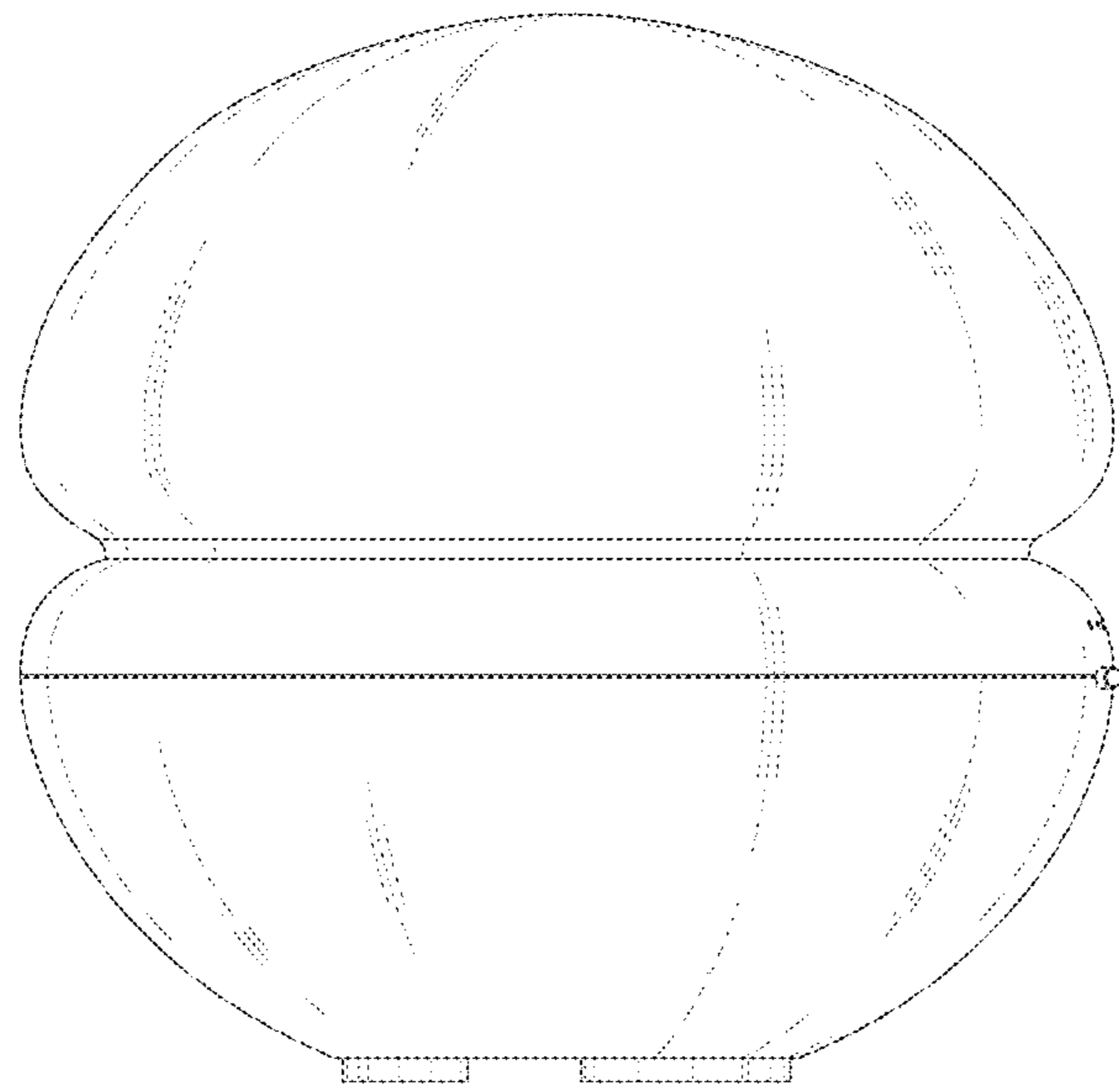


Fig. 5

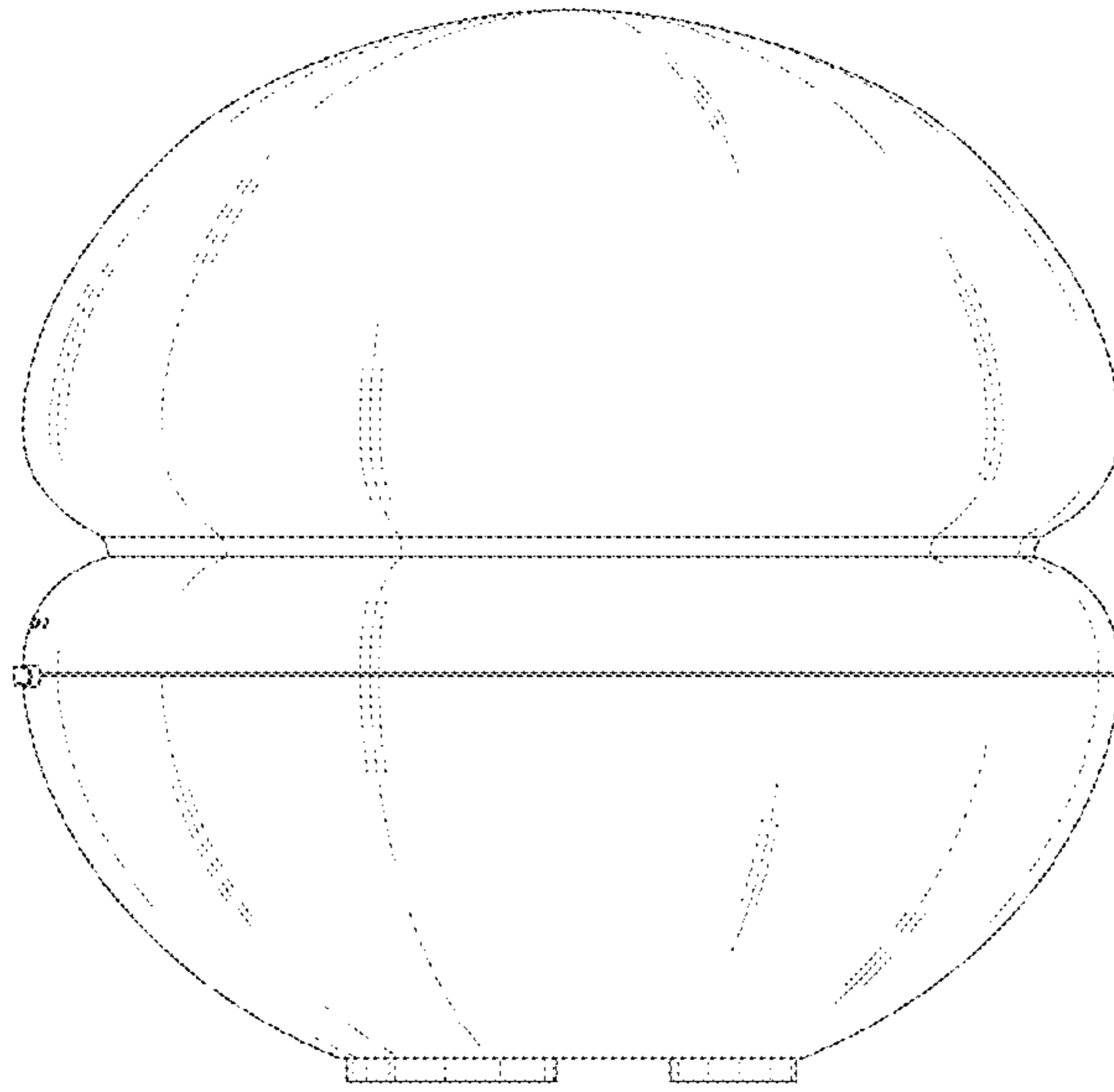


Fig. 6

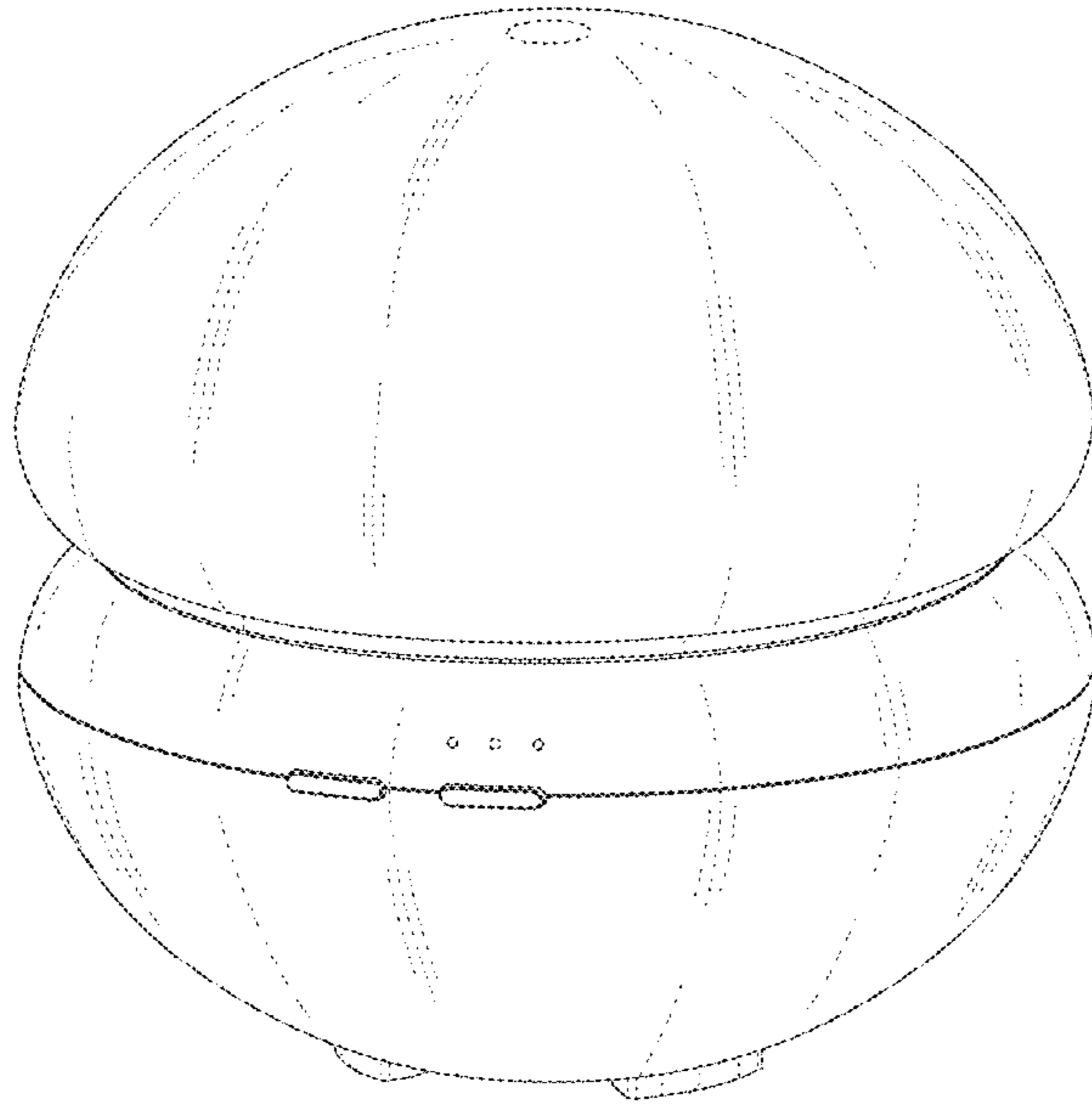


Fig. 7

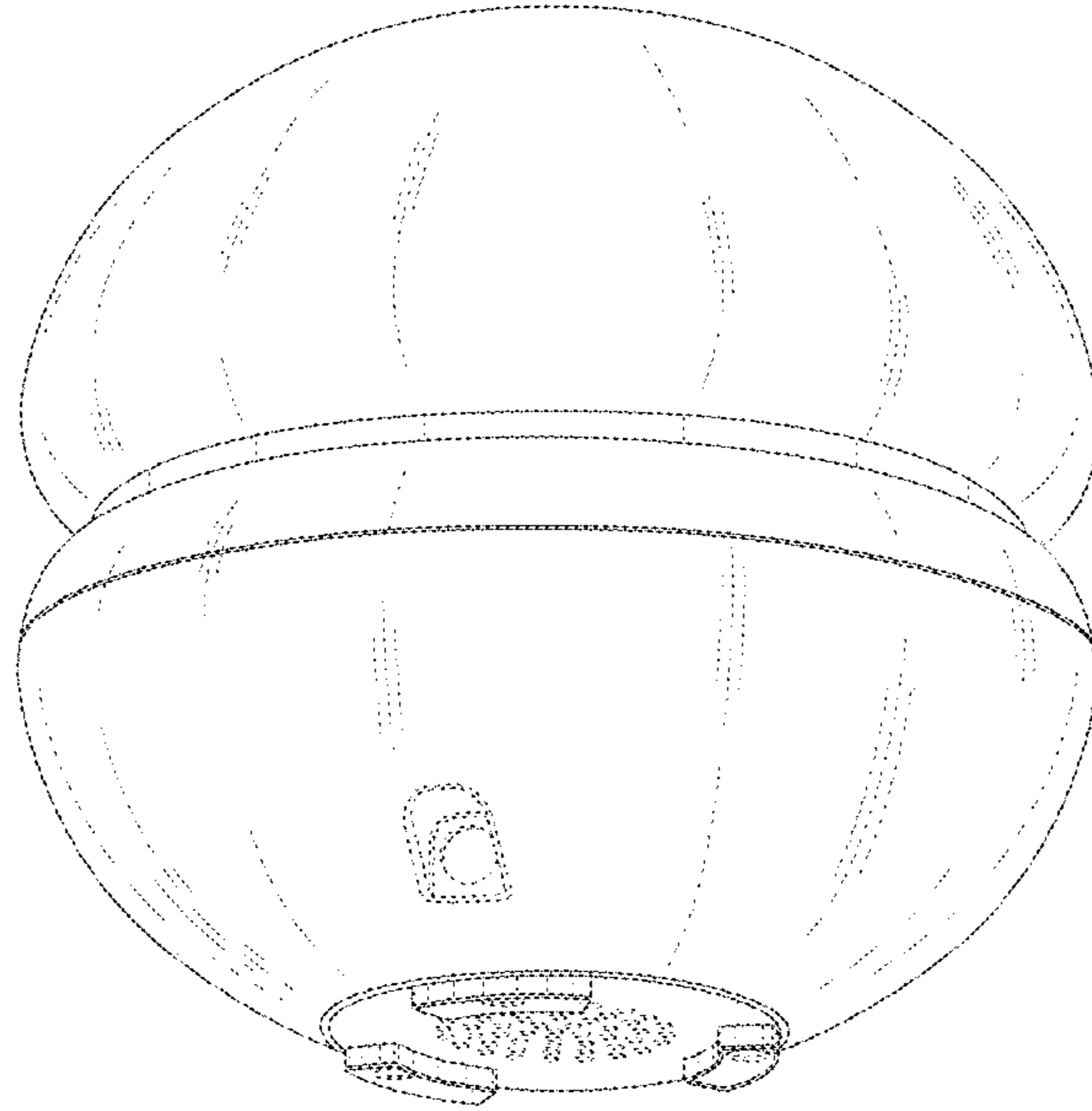


Fig. 8