



US00D820424S

(12) **United States Design Patent**
Li

(10) **Patent No.:** **US D820,424 S**
(45) **Date of Patent:** **** Jun. 12, 2018**

(54) **AROMA DIFFUSER**
(71) Applicant: **Puzhen Life Co., Limited**, Hong Kong (HK)
(72) Inventor: **Dong Sheng Li**, Hong Kong (HK)
(73) Assignee: **Puzhen Life Co., Limited**, Hong Kong (HK)

D449,877 S *	10/2001	Delmenico	D23/356
D621,495 S *	8/2010	Li	D23/366
D650,056 S *	12/2011	Li	D23/366
D696,763 S *	12/2013	Li	D23/366
D698,910 S *	2/2014	Lin	D23/366
D699,578 S *	2/2014	Marina	D9/500
D719,714 S *	12/2014	Khan	D99/5
D752,731 S *	3/2016	Ansley	D23/366
D766,128 S *	9/2016	Mihlbauer	D11/152
D772,520 S *	11/2016	Jennings	D99/5
D803,060 S *	11/2017	Marina	D9/504
D803,376 S *	11/2017	Gobber	D23/366

(**) Term: **15 Years**

* cited by examiner

(21) Appl. No.: **29/599,098**

Primary Examiner — Sheryl Lane

(22) Filed: **Mar. 31, 2017**

Assistant Examiner — Calvin E Vansant

(30) **Foreign Application Priority Data**

(57) **CLAIM**

Oct. 4, 2016 (HK) 1601879.2M001

The ornamental design for an aroma diffuser, as shown and described.

(51) **LOC (11) Cl.** **23-04**

DESCRIPTION

(52) **U.S. Cl.**
USPC **D23/366**

(58) **Field of Classification Search**
USPC D23/208, 355–369; D9/500, 503–505
CPC A61L 9/02; A61L 9/03; A61L 9/12; A61L 9/035; A61L 9/125
See application file for complete search history.

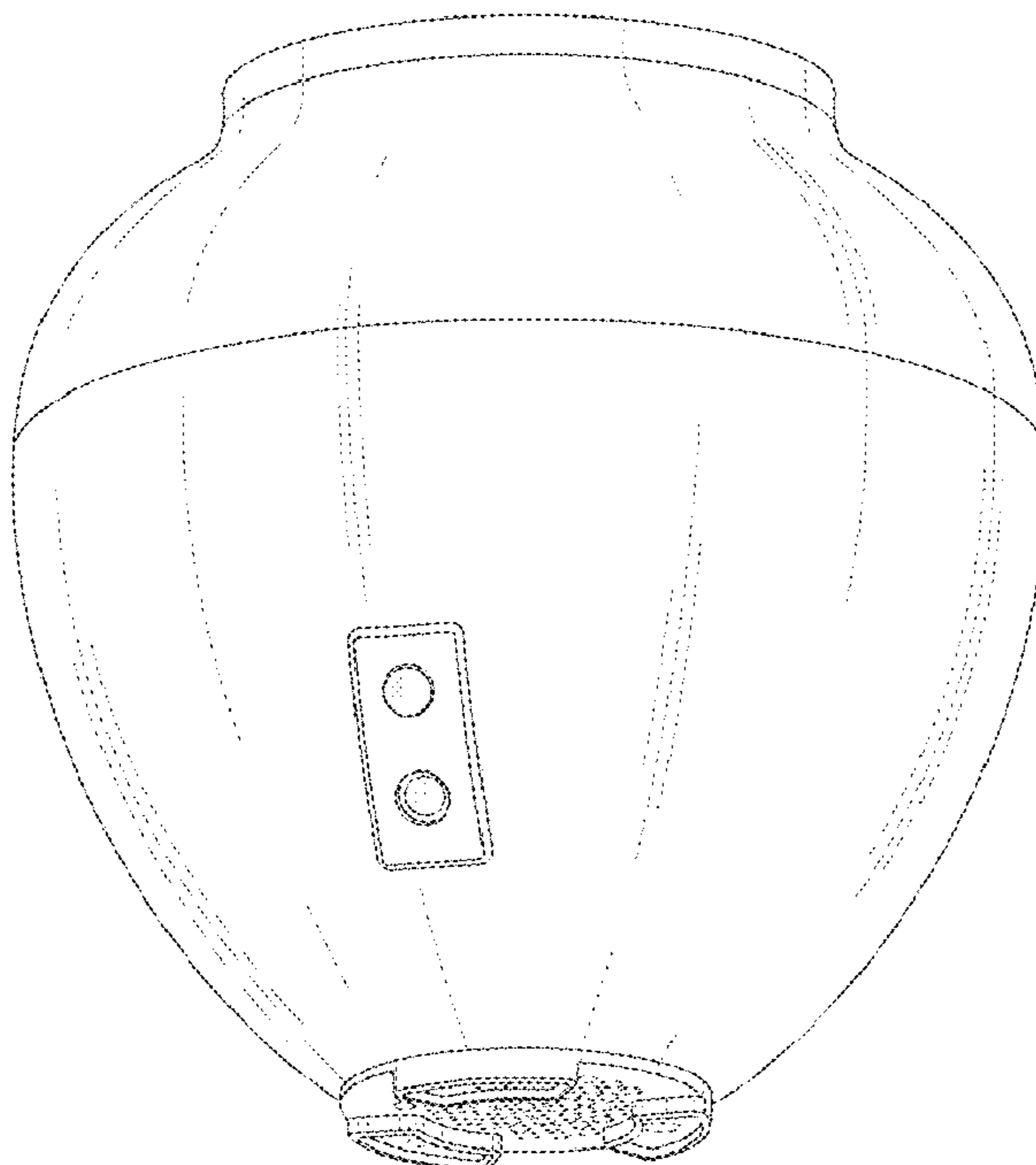
FIG. 1 is a top plan view of an aroma diffuser showing my new design;
FIG. 2 is a bottom plan view thereof;
FIG. 3 is a front elevational view thereof;
FIG. 4 is a rear elevational view thereof;
FIG. 5 is a left side view thereof;
FIG. 6 is a right side view thereof;
FIG. 7 is a first perspective view thereof; and,
FIG. 8 is a second perspective view thereof.
The broken lines in the drawings illustrate portions of the aroma diffuser which form no part of the claimed design.

(56) **References Cited**

U.S. PATENT DOCUMENTS

D89,900 S *	5/1933	Lippert	D22/122
D392,032 S *	3/1998	Zaragoza	D23/366

1 Claim, 8 Drawing Sheets



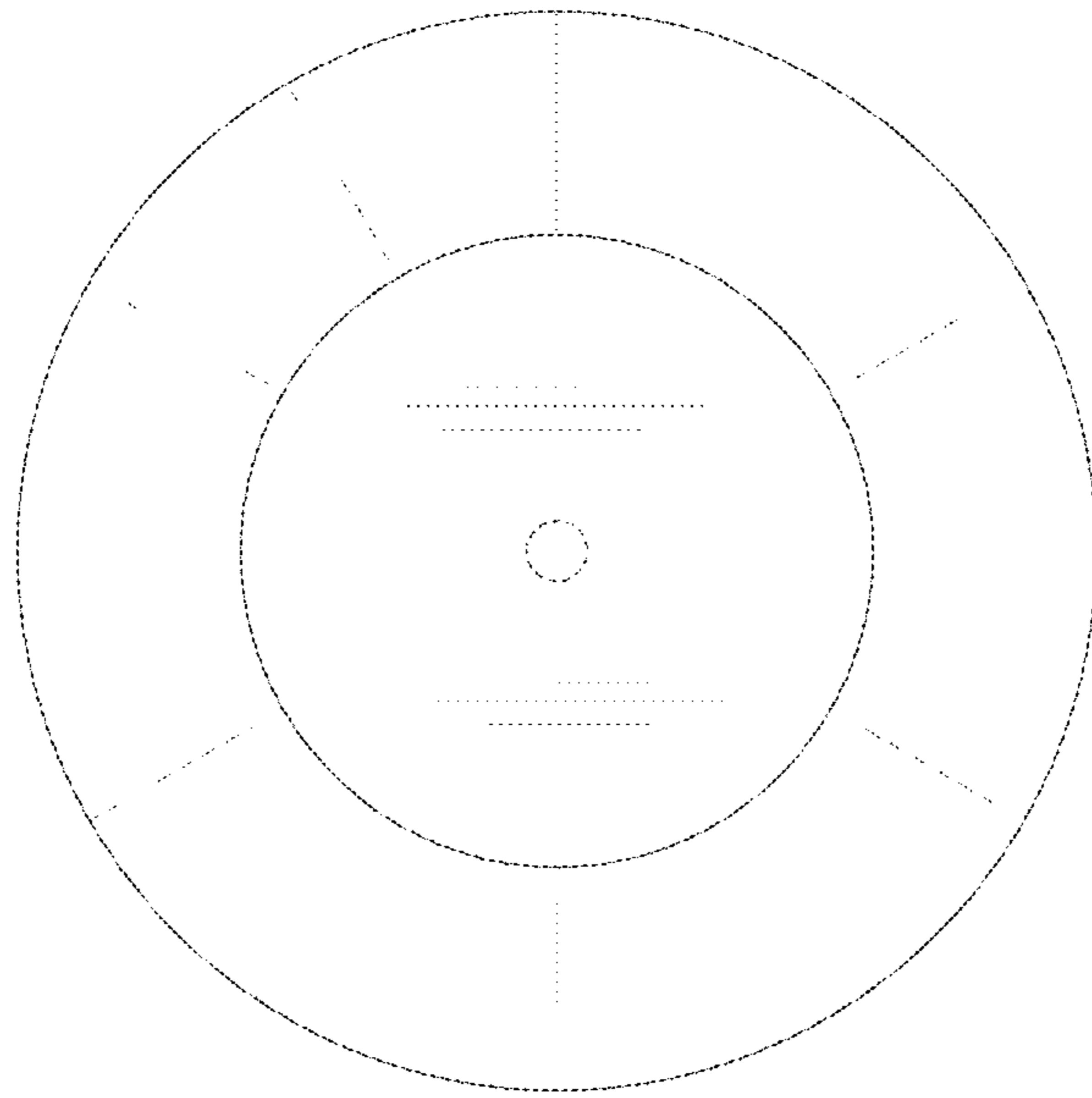


Fig. 1

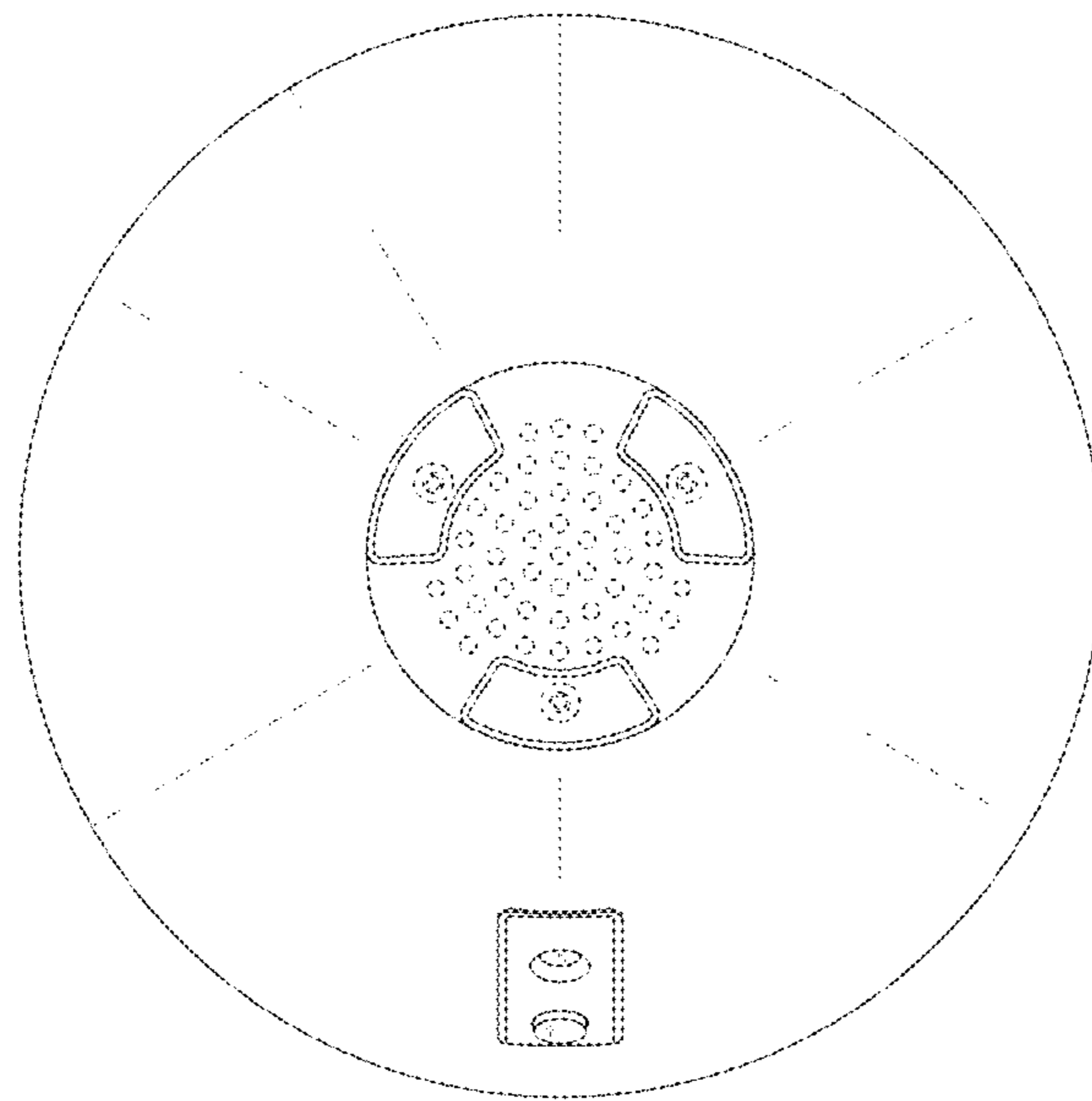


Fig. 2

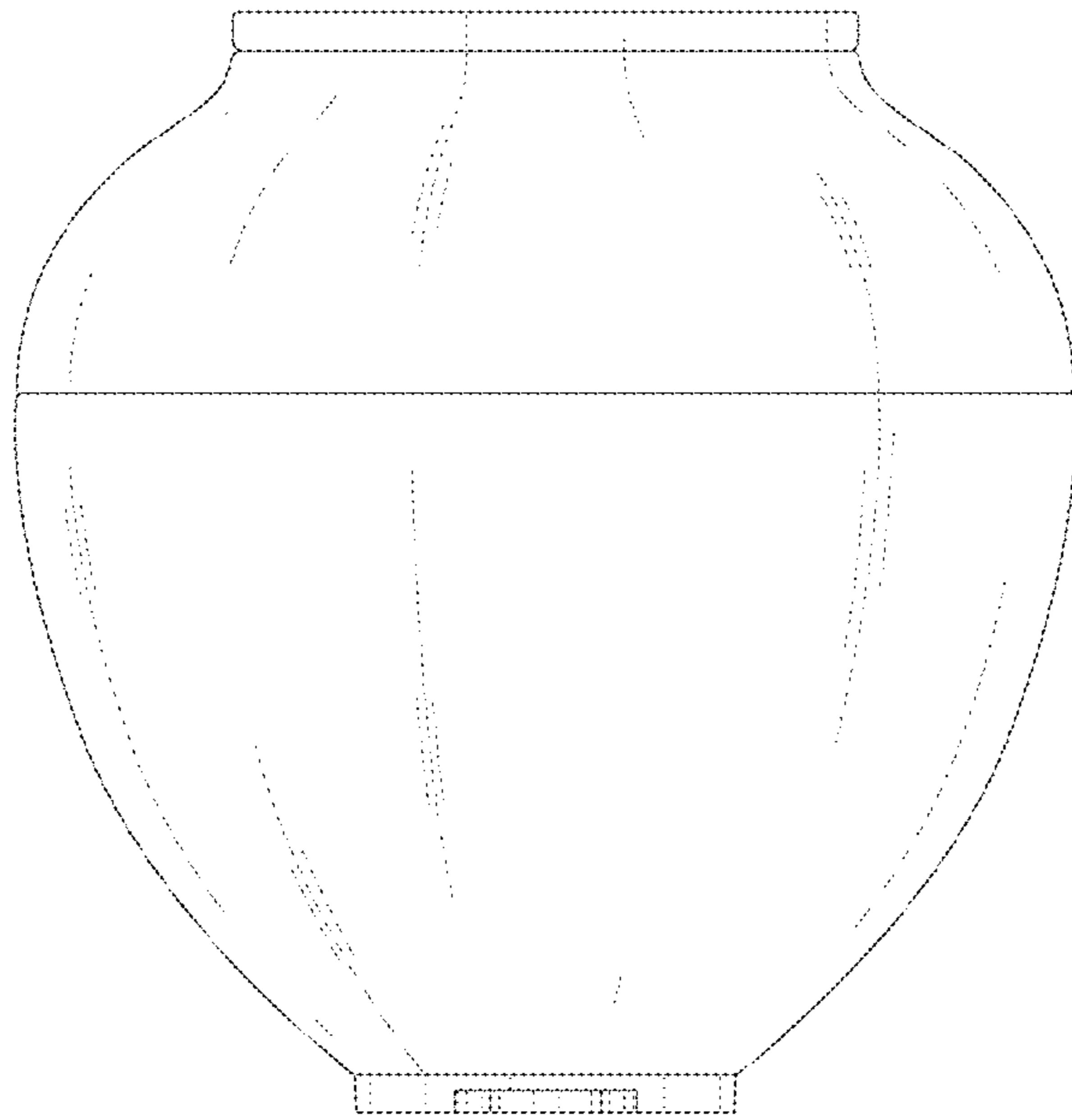


Fig. 3

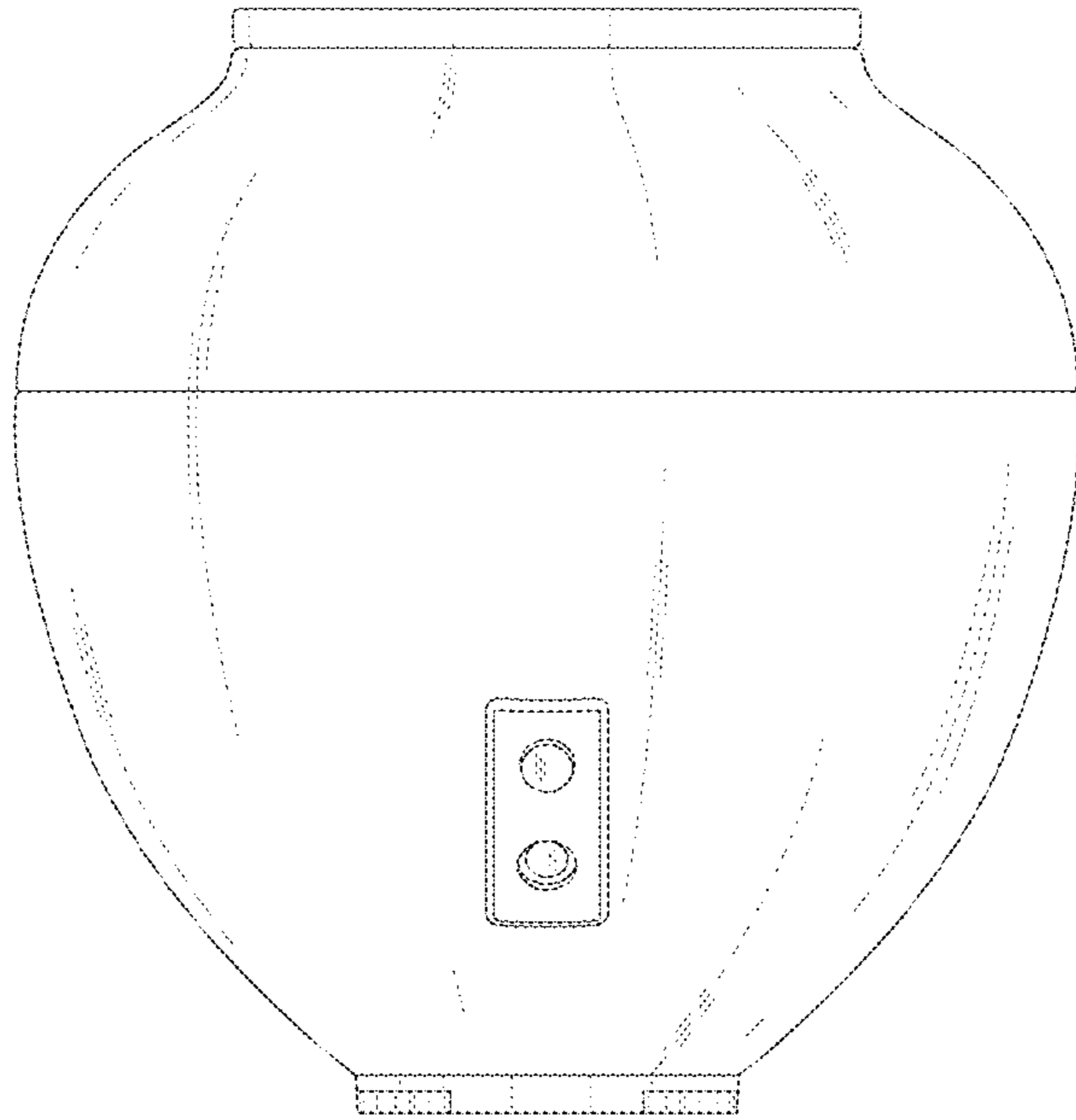


Fig. 4

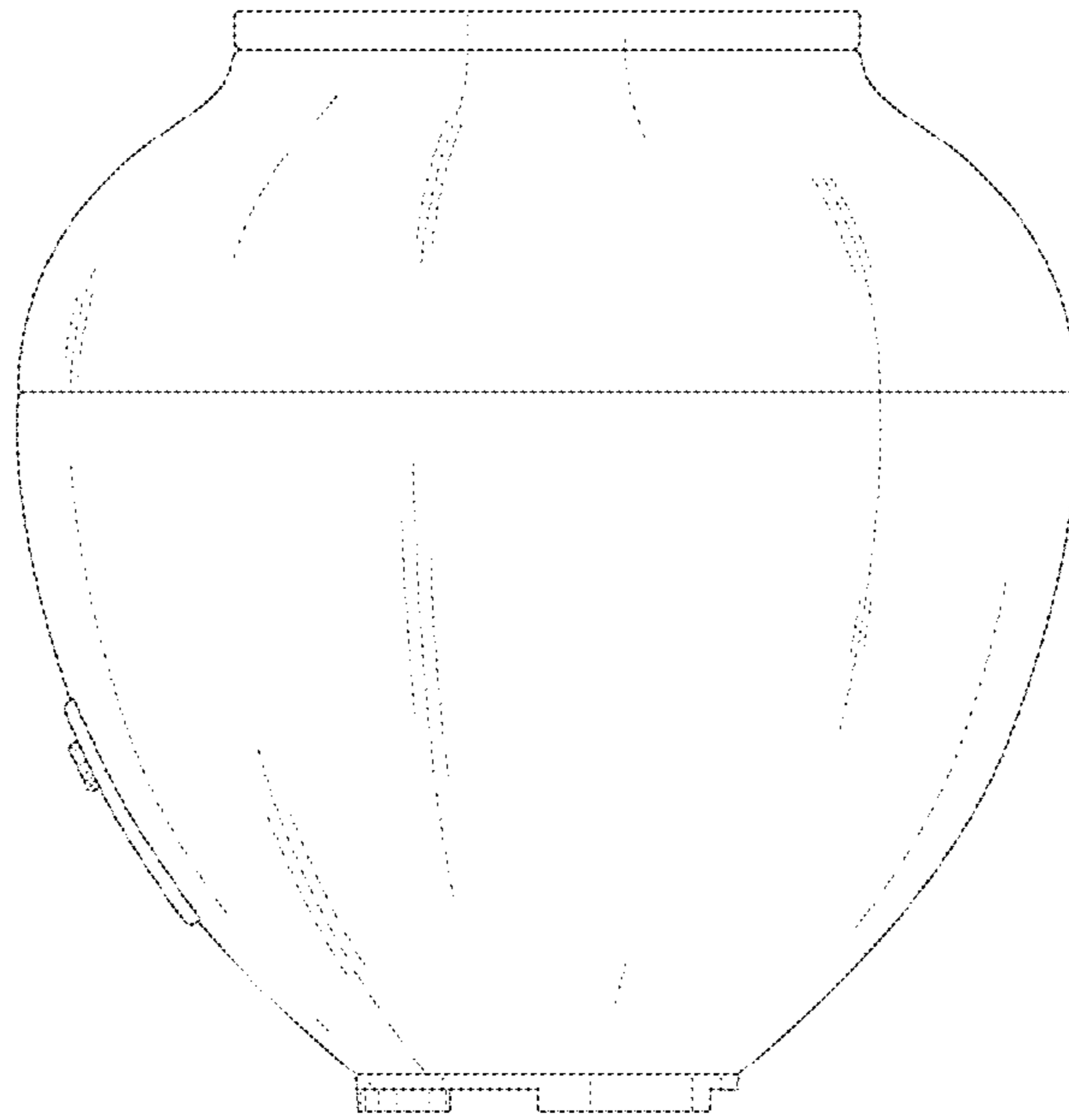


Fig. 5

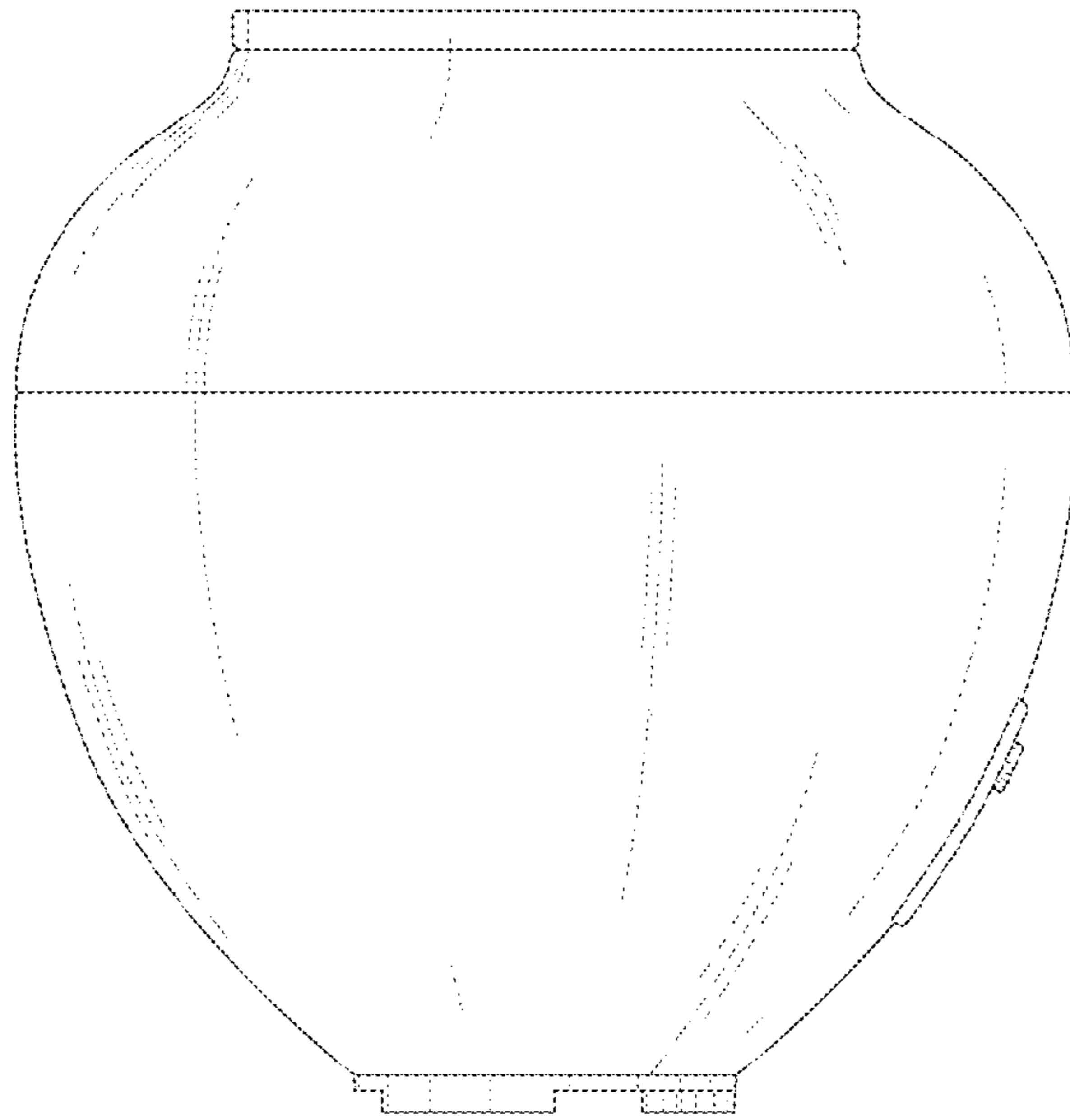


Fig. 6

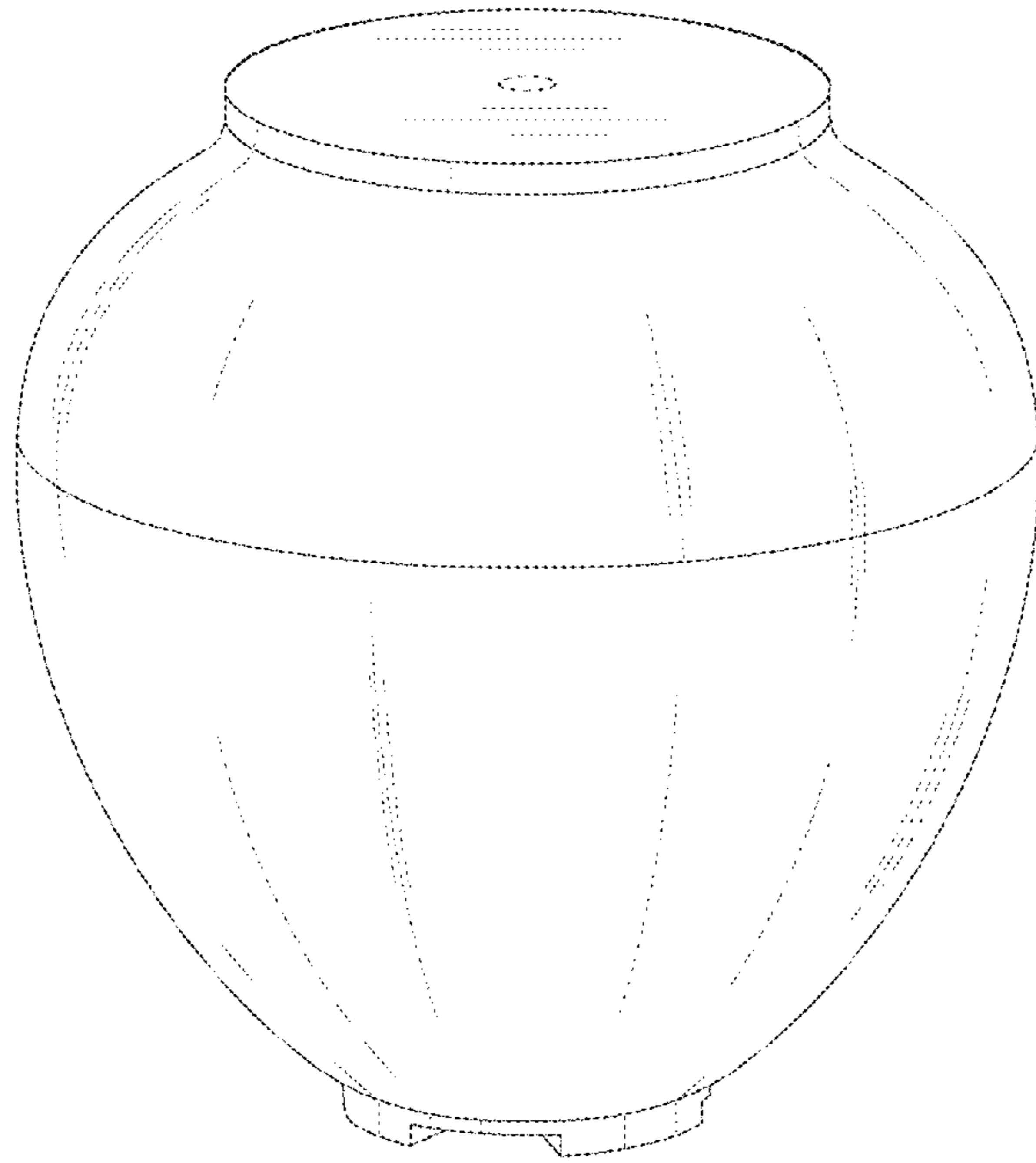


Fig. 7

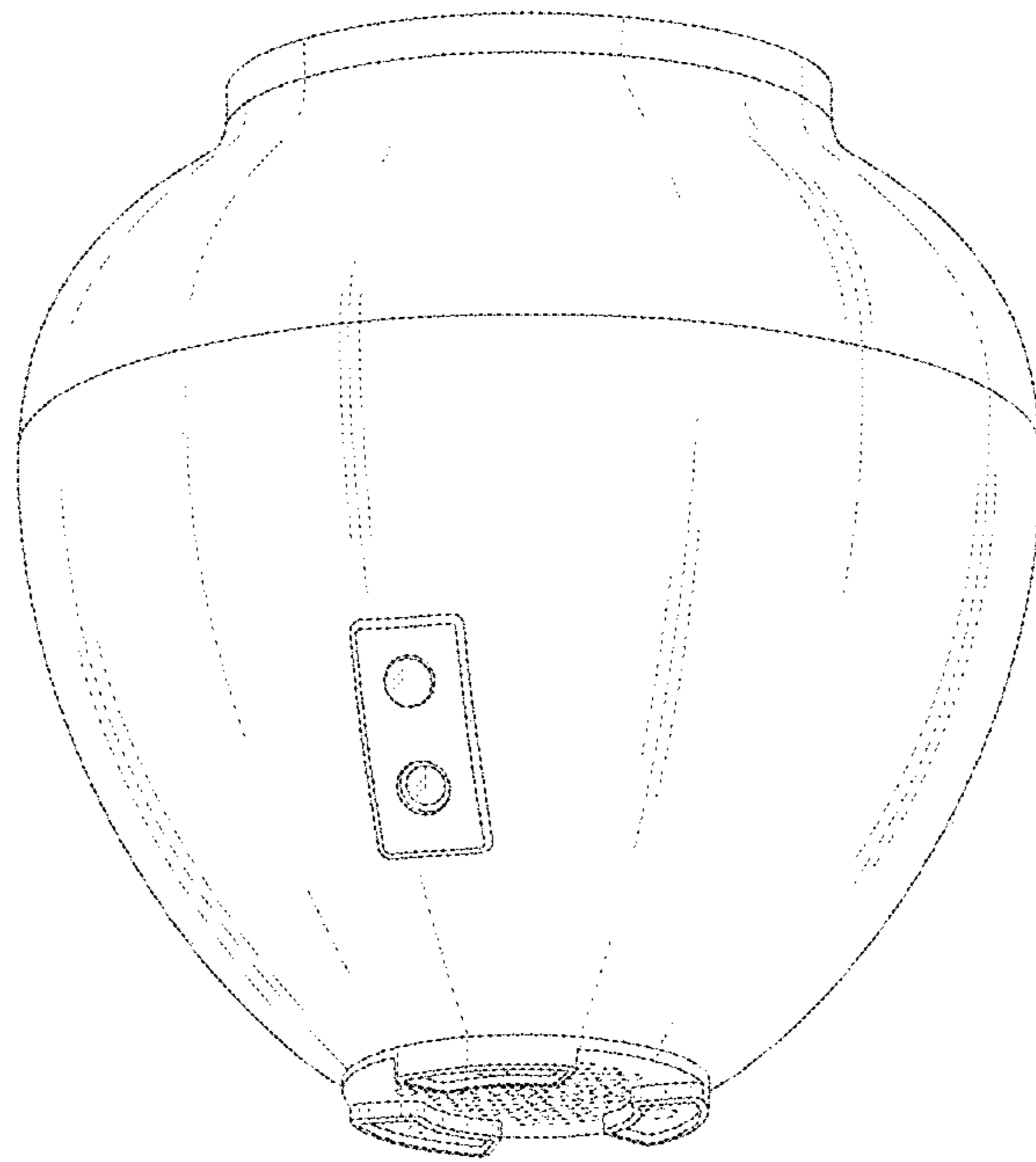


Fig. 8