



US00D820417S

(12) **United States Design Patent**
Topacio

(10) **Patent No.:** **US D820,417 S**
(45) **Date of Patent:** **** Jun. 12, 2018**

- (54) **HOSE COUPLING**
- (71) Applicant: **Eric A Topacio**, San Diego, CA (US)
- (72) Inventor: **Eric A Topacio**, San Diego, CA (US)
- (**) Term: **15 Years**
- (21) Appl. No.: **29/592,351**
- (22) Filed: **Jan. 30, 2017**
- (51) **LOC (11) Cl.** **23-01**
- (52) **U.S. Cl.**
USPC **D23/265**
- (58) **Field of Classification Search**
USPC D23/259, 260, 262–266, 213, 223, 226,
D23/232–237; D24/129; 285/245, 246,
285/249, 322, 248, 251, 253, 12, 86–93,
285/179–182, 335, 338; 137/614,
137/614.02–614.06; D29/129; D32/25,
D32/32
CPC F16L 37/0841; F16L 37/35; F16L 37/34;
F16L 37/142; F16L 37/413; F16L 37/30;
F16L 37/44; F16L 37/36; F16L 45/00;
F16L 5/00; F16L 55/105; F16L 55/1007;
F16L 25/14; F16L 27/0845; F16L
2201/20; F16L 2201/60; F16L 2201/10;
F16L 37/133; F16L 37/0985; E03C 1/122
See application file for complete search history.

- (56) **References Cited**
U.S. PATENT DOCUMENTS
3,244,376 A * 4/1966 Thompson A62C 31/005
239/456
3,540,657 A * 11/1970 Thompson A62C 31/005
239/458
D246,250 S * 11/1977 Baldwin D23/262

5,795,053	A *	8/1998	Pierce	A62B 3/00	362/191
6,447,027	B1	9/2002	Liley			
6,450,542	B1	9/2002	McCue			
D526,387	S *	8/2006	Bonomi	D23/236	
7,255,131	B2	8/2007	Paper			
D599,433	S *	9/2009	Zore	D23/223	
D666,275	S *	8/2012	DeVore	D23/223	
D684,661	S *	6/2013	Ogen	D23/213	
8,875,375	B2 *	11/2014	Topacio	F16L 37/0847	137/614.06
D746,418	S *	12/2015	Castrigno	D23/262	
D799,002	S *	10/2017	Gooden	D23/213	
2006/0174968	A1	8/2006	De Luna			
2007/0157972	A1	7/2007	Hendey			
2011/0005639	A1 *	1/2011	Weh	F16L 37/121	141/311 R
2012/0299291	A1 *	11/2012	Kamiya	F16L 37/252	285/308

* cited by examiner

Primary Examiner — Eric L Goodman
Assistant Examiner — Amy C Wierenga
(74) *Attorney, Agent, or Firm* — Mark Wisnosky

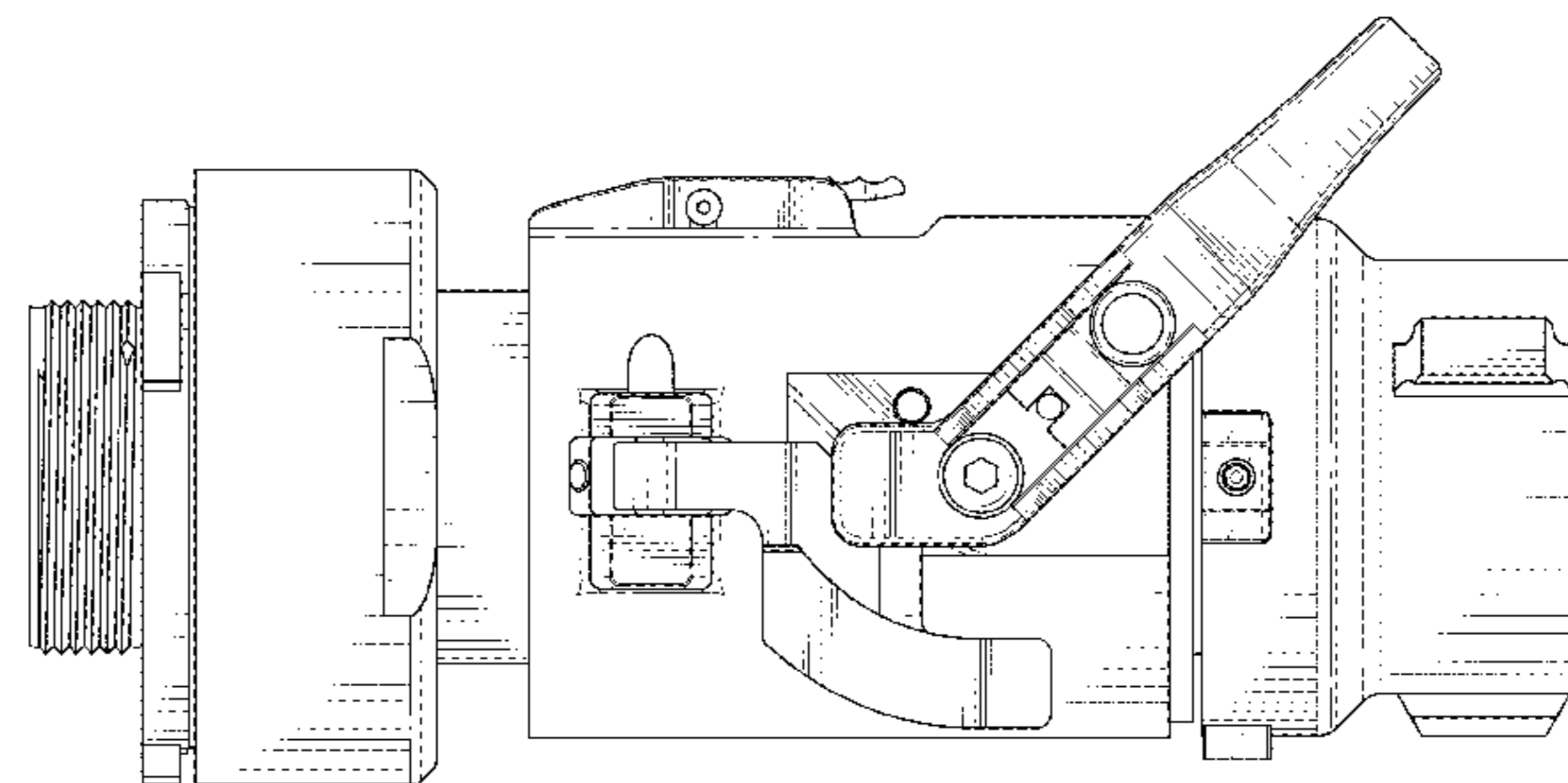
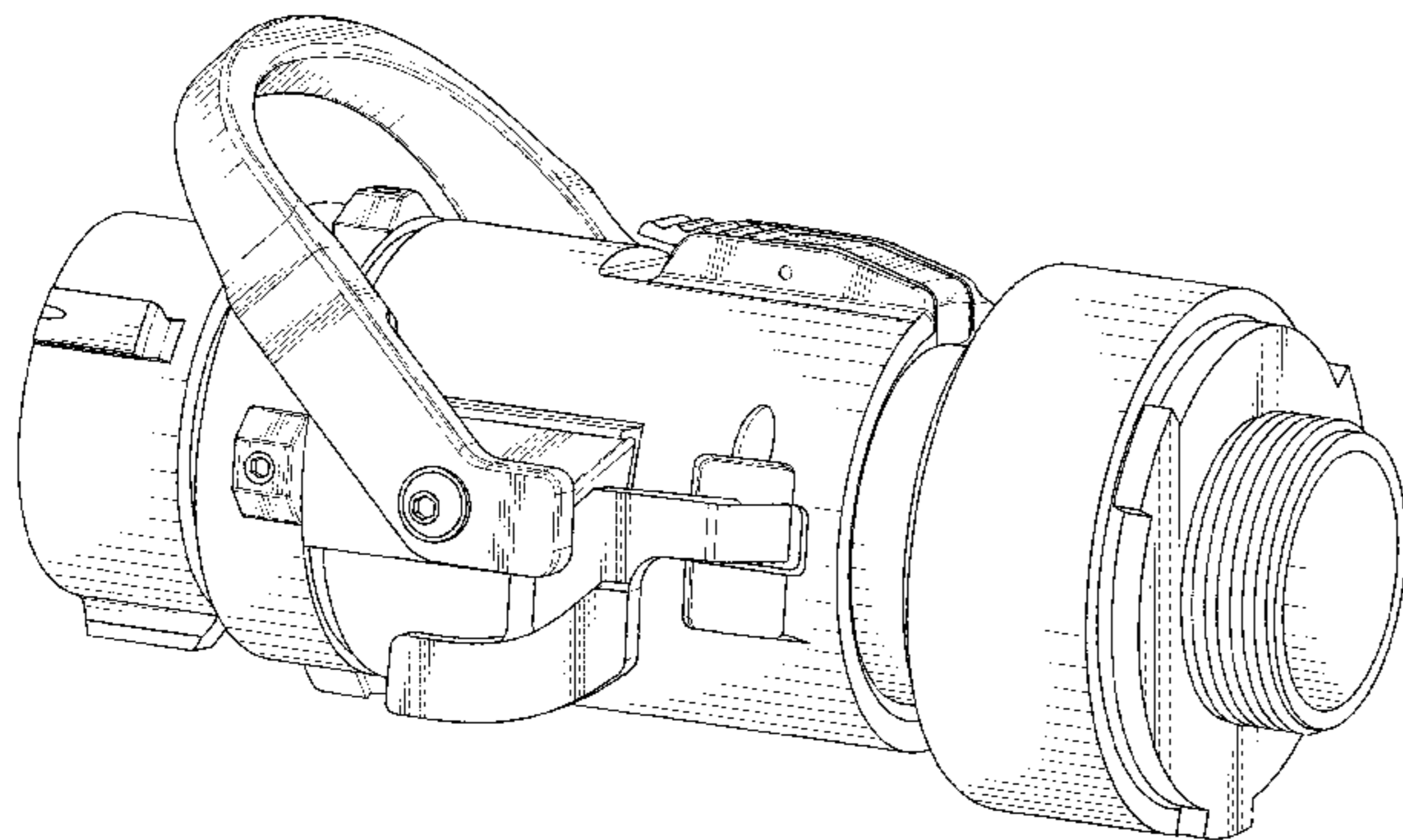
(57) **CLAIM**

The ornamental design for a hose coupling, as shown and described.

DESCRIPTION

FIG. 1 is a perspective view of a hose coupling.
FIG. 2 is a front view of the hose coupling.
FIG. 3 is a back view of the hose coupling.
FIG. 4 is a right side view of the hose coupling.
FIG. 5 is a left side view of the hose coupling.
FIG. 6 is a top view of the hose coupling; and,
FIG. 7 is a bottom view of the hose coupling.

1 Claim, 7 Drawing Sheets



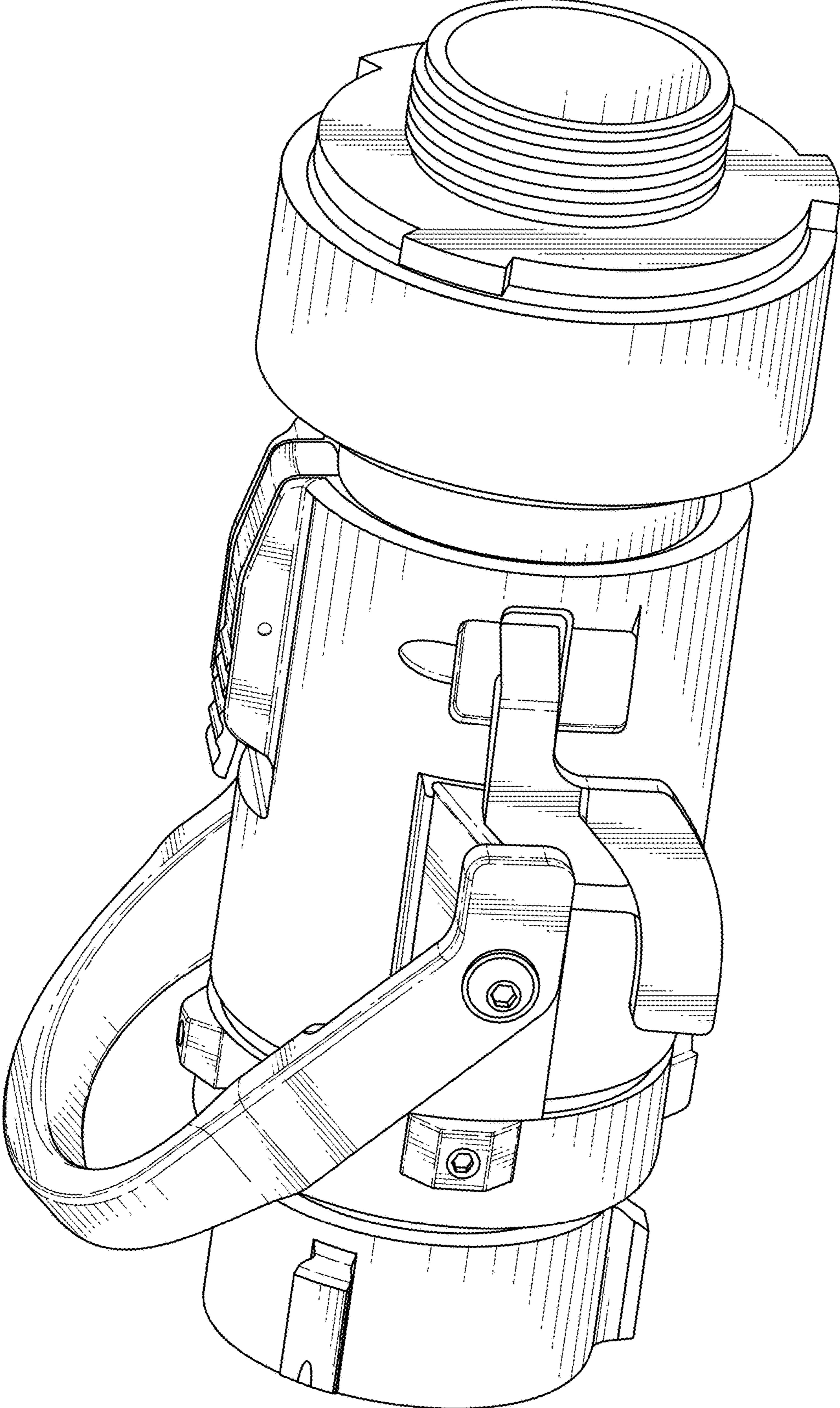


FIG. 1

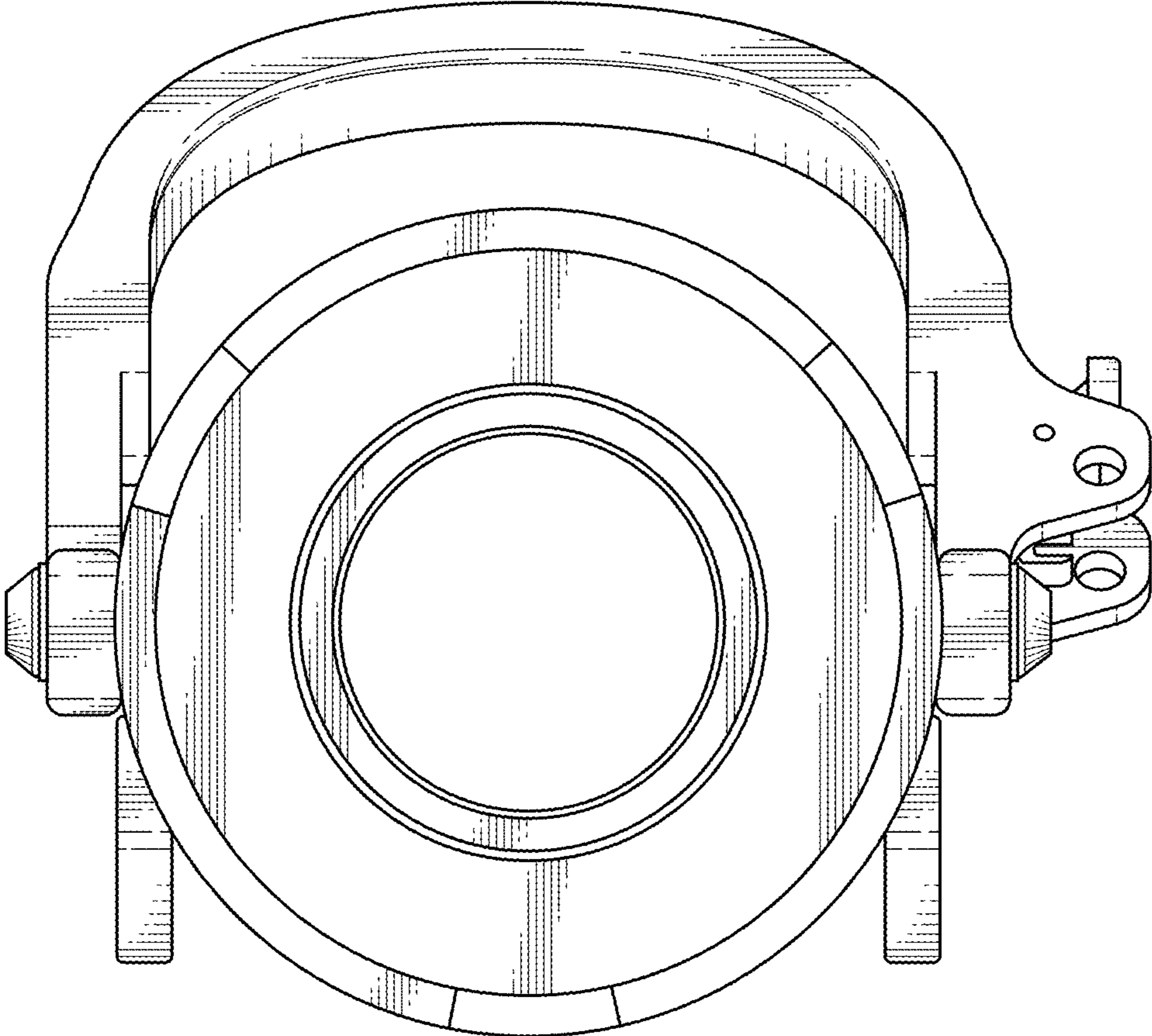


FIG. 2

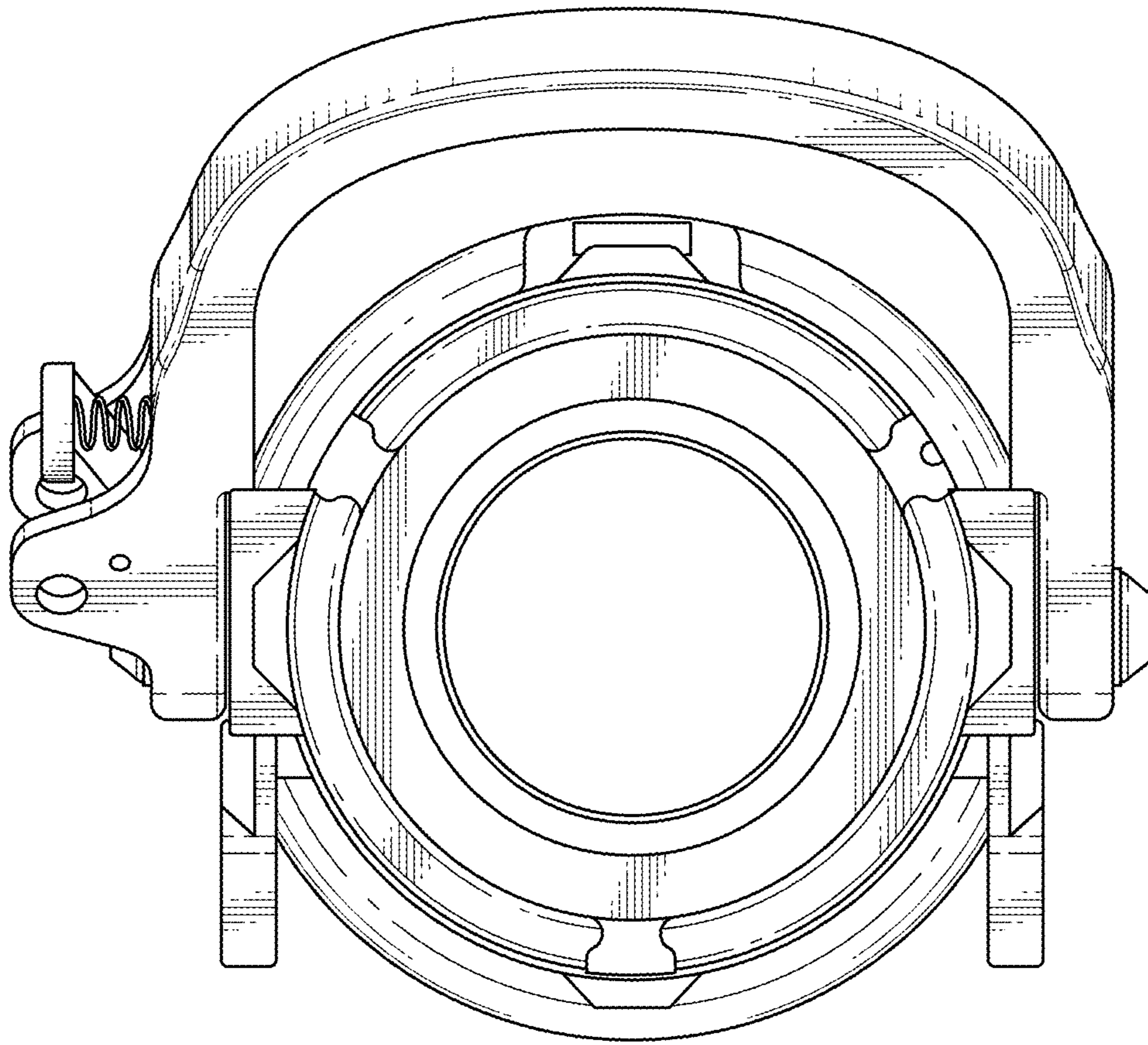


FIG. 3

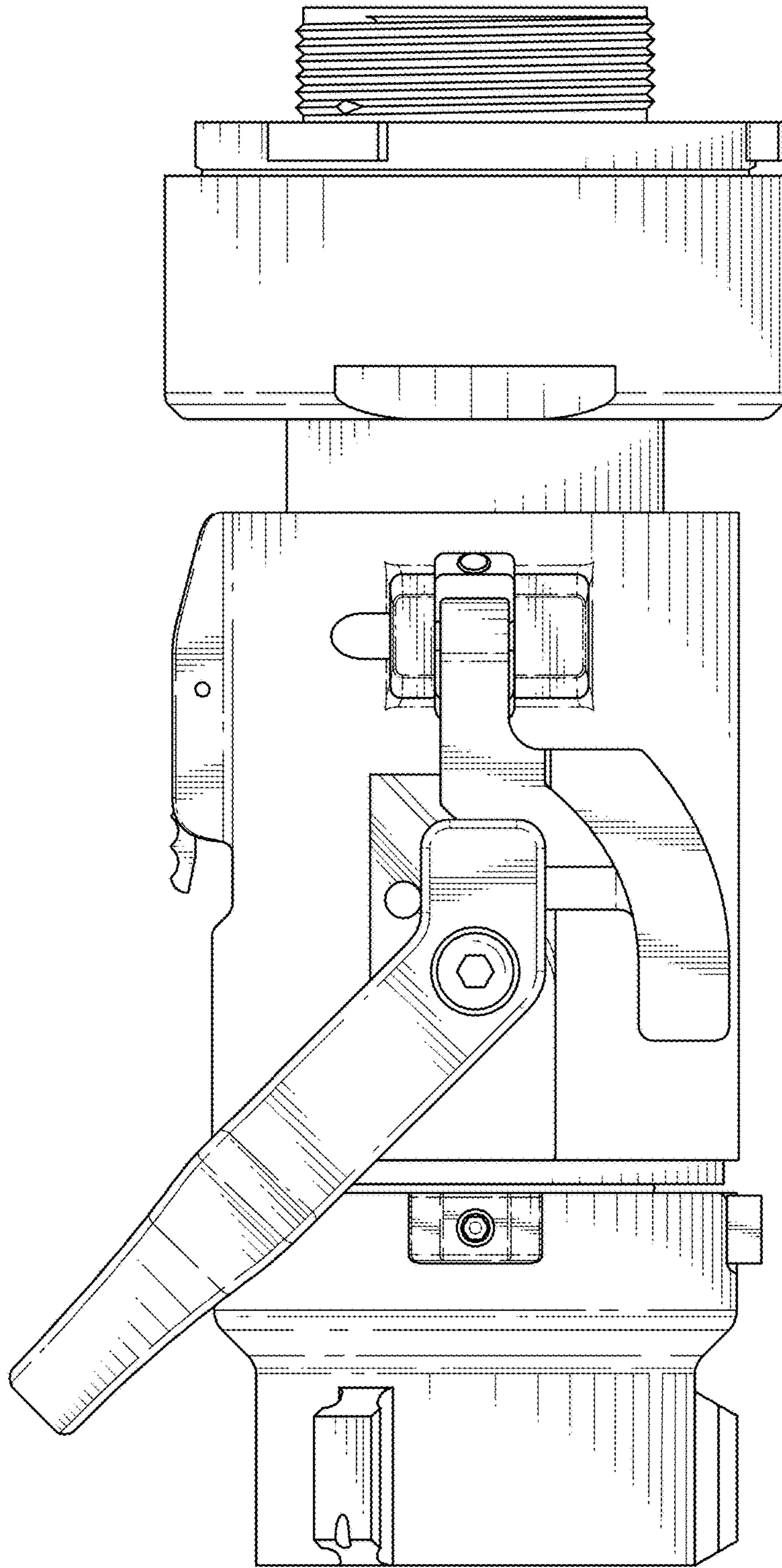


FIG. 4

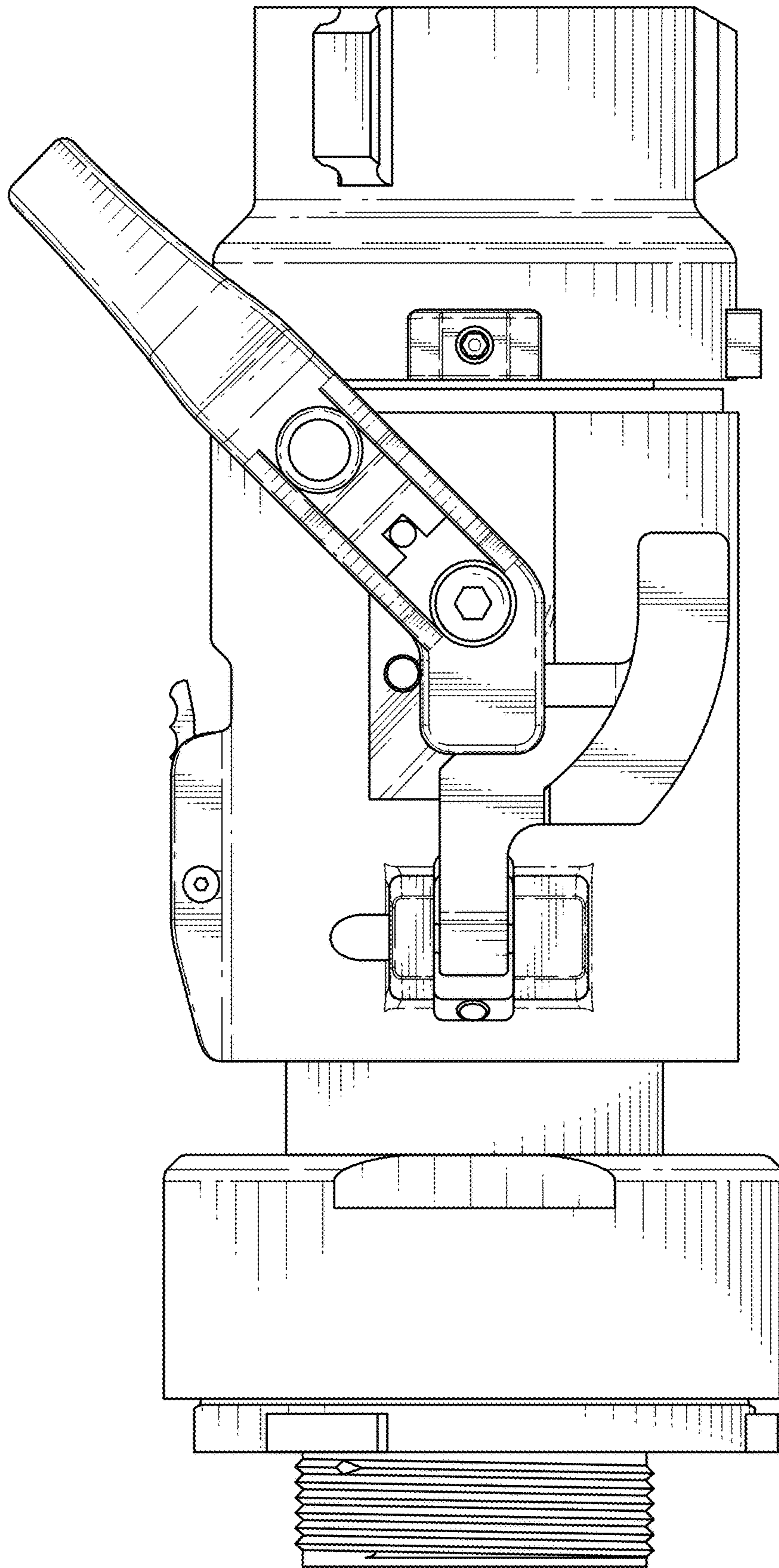


FIG. 5

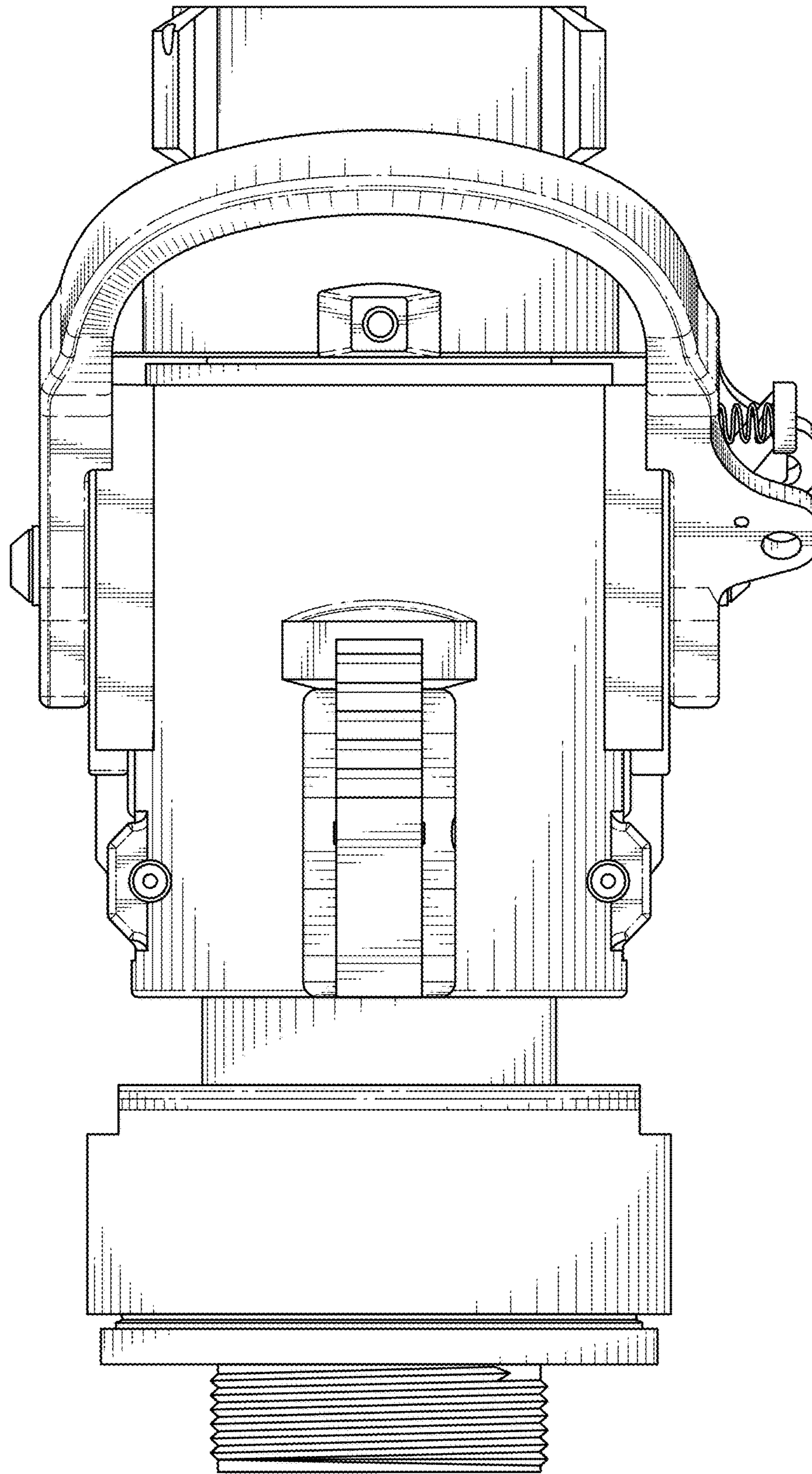


FIG. 6

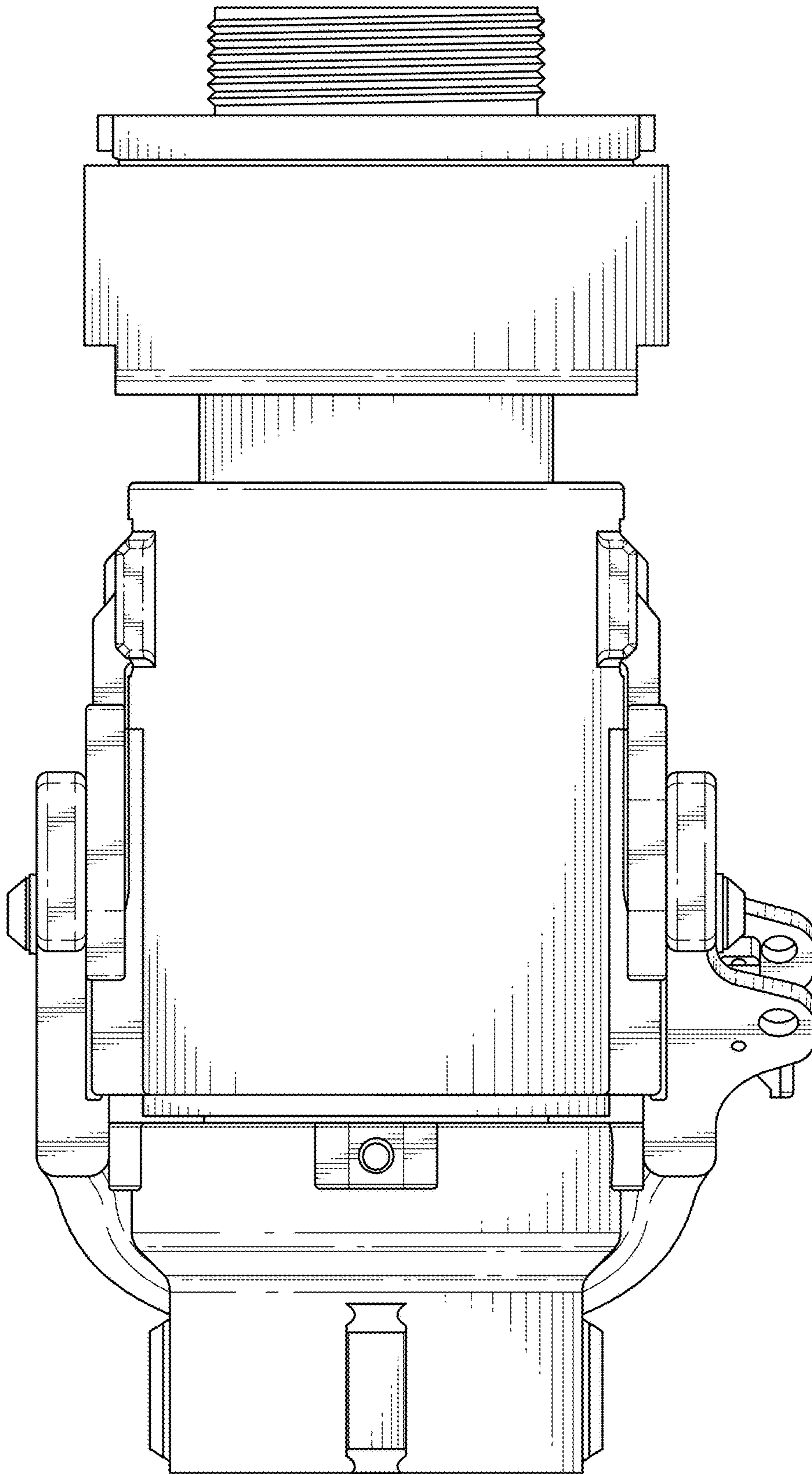


FIG. 7