



US00D820416S

(12) **United States Design Patent**
Mjelde

(10) **Patent No.:** **US D820,416 S**
(45) **Date of Patent:** **** Jun. 12, 2018**

- (54) **POOL DRAIN**
- (71) Applicant: **Olaf Mjelde**, Ventura, CA (US)
- (72) Inventor: **Olaf Mjelde**, Ventura, CA (US)
- (**) Term: **15 Years**
- (21) Appl. No.: **29/571,978**
- (22) Filed: **Jul. 22, 2016**
- (51) **LOC (11) Cl.** **23-01**
- (52) **U.S. Cl.**
USPC **D23/259**; D23/269
- (58) **Field of Classification Search**
USPC D23/259–261, 262, 268, 233–236, 269,
D23/227; 210/136, 156, 163; 4/286,
4/288–294, 490, 496, 541.6, 501, 505,
4/507; 137/454.2
CPC ... E03C 1/23; E03C 1/26; E03C 1/262; E03C
1/22; E03C 1/264; E03C 1/03; E03C
1/24; E03C 1/28; E03C 1/298; E03F
5/0404; E03F 5/06; F15D 1/0005; F16L
11/00; F16L 37/252; E04D 13/0409;
E04H 4/1236; E04H 4/169; B08B 9/0936
See application file for complete search history.

(56) **References Cited**
U.S. PATENT DOCUMENTS

- D351,220 S * 10/1994 Barnes D23/260
- D466,198 S * 11/2002 Mullings D23/261

- 7,254,847 B2 * 8/2007 Kunkel B05B 1/044
4/507
- D615,469 S * 5/2010 Huang D12/190
- D621,009 S * 8/2010 Mjelde D23/261
- 7,774,870 B2 * 8/2010 Griffin E04H 4/1236
4/507
- D663,387 S * 7/2012 Mjelde D23/261
- 9,790,699 B2 * 10/2017 Mjelde E04H 4/1236
- 2014/0157510 A1 * 6/2014 Mjelde E04H 4/1236
4/510

* cited by examiner

Primary Examiner — Eric L Goodman
Assistant Examiner — Amy C Wierenga
(74) *Attorney, Agent, or Firm* — Robert J. Lauson;
Lauson & Tarver LLP

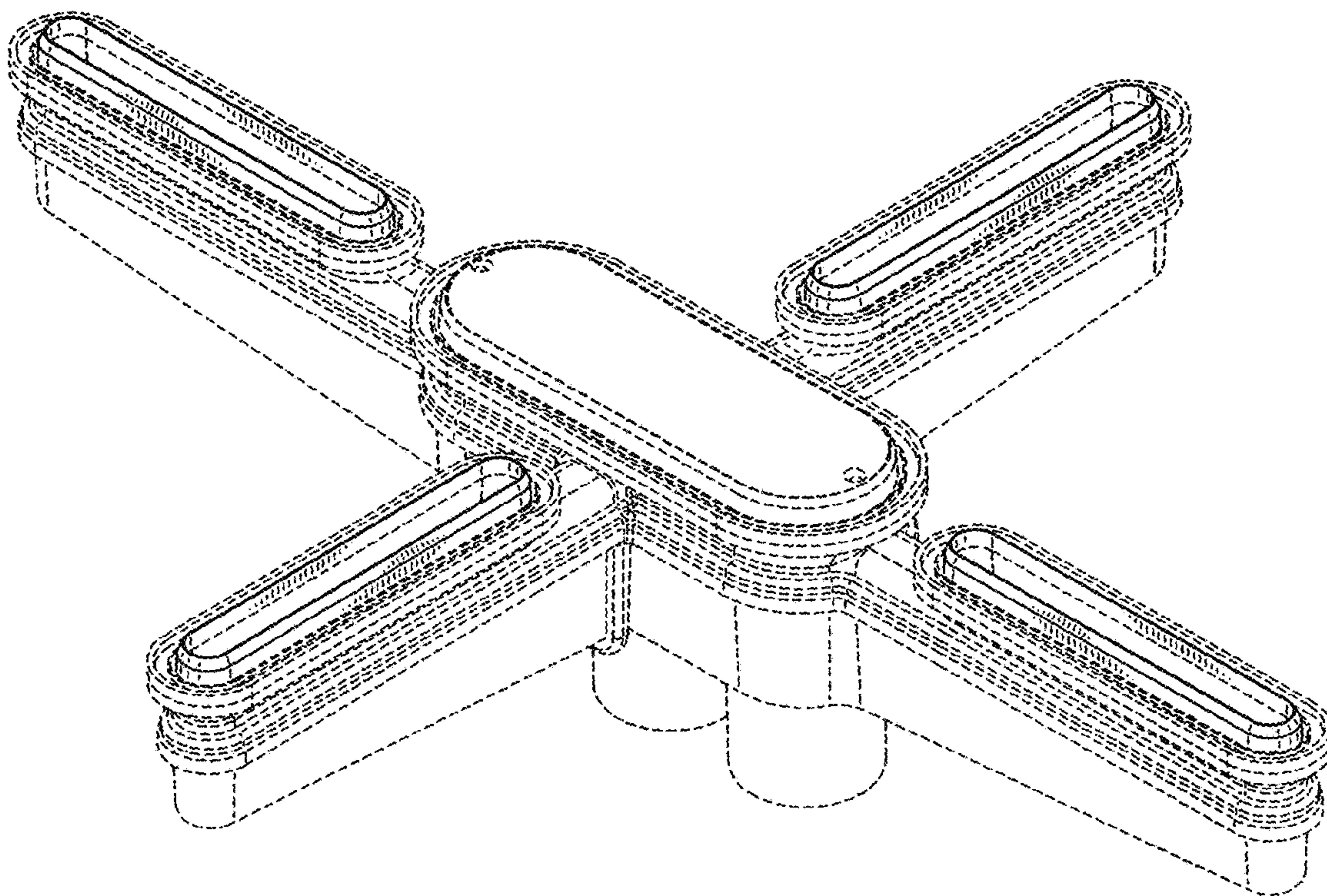
(57) **CLAIM**

I claim the ornamental design for a pool drain, as shown and described.

DESCRIPTION

FIG. 1 is a perspective view of a pool drain;
FIG. 2 is a top view of the pool drain;
FIG. 3 is a right side view of the pool drain, the left side view being a mirror image thereof; and,
FIG. 4 is a front view of the pool drain, the rear view being a mirror image thereof.
The broken lines shown in the drawings depict portions of the pool drain that form no part of the claim.

1 Claim, 3 Drawing Sheets



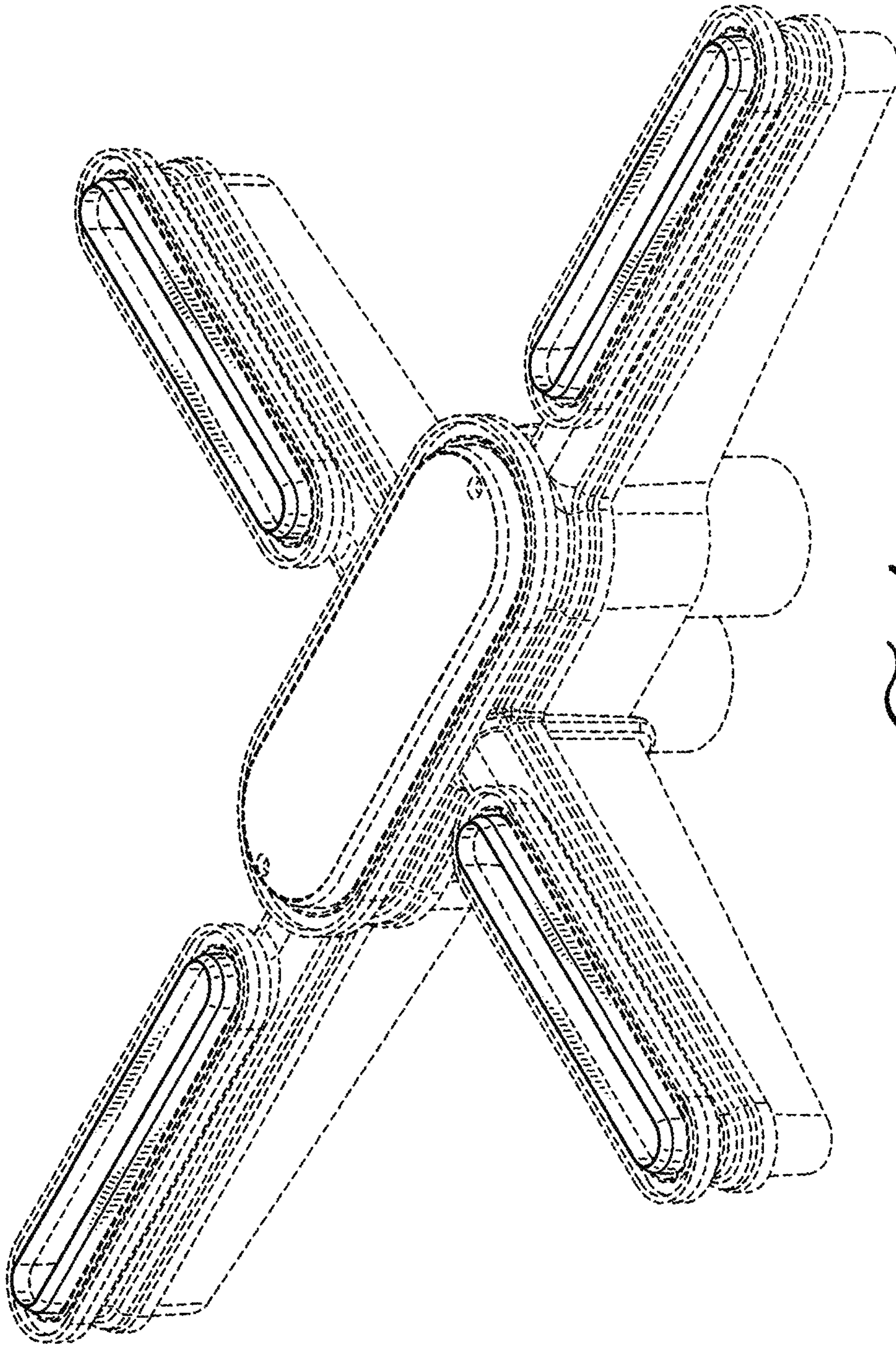


FIG. 1

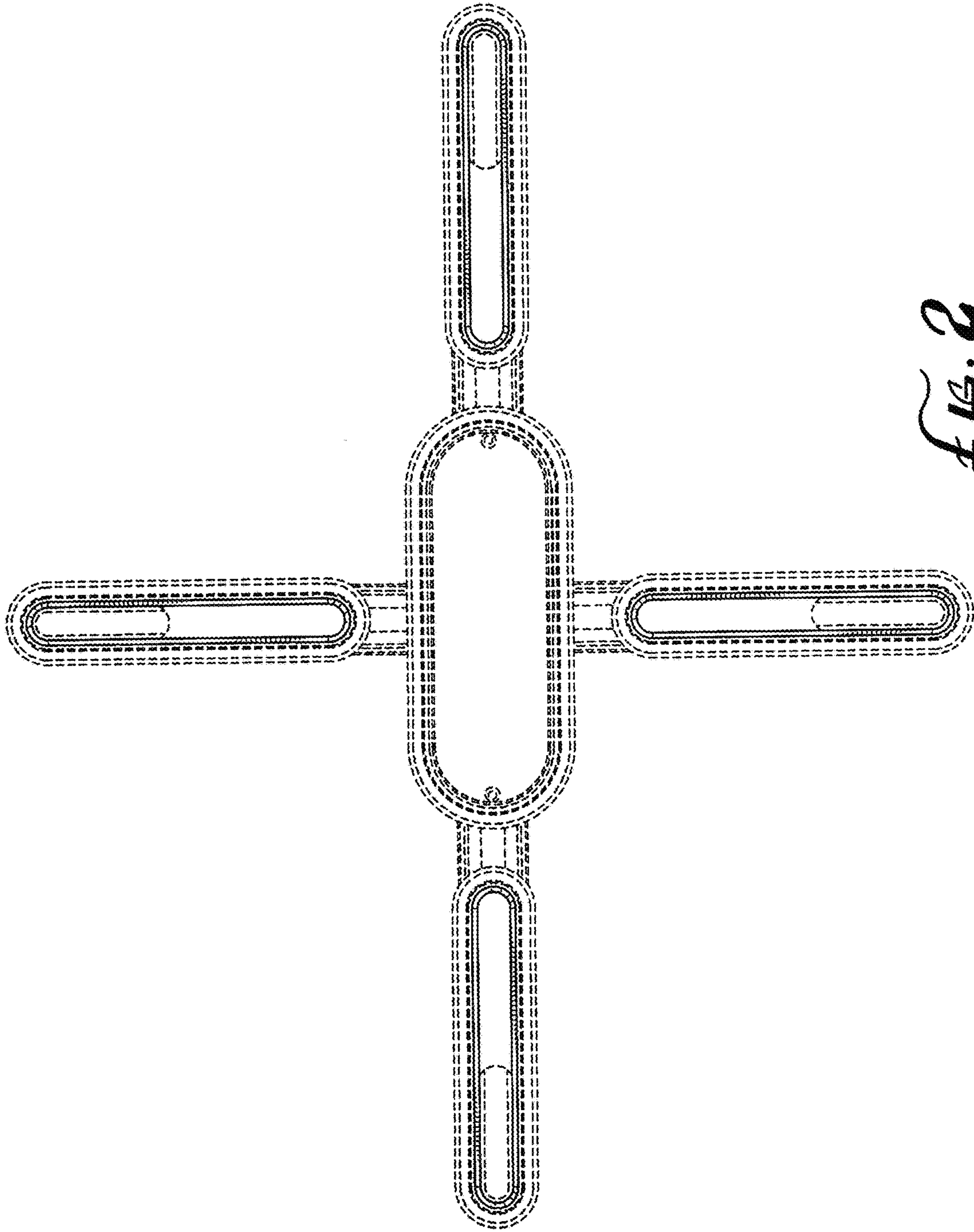


FIG. 2

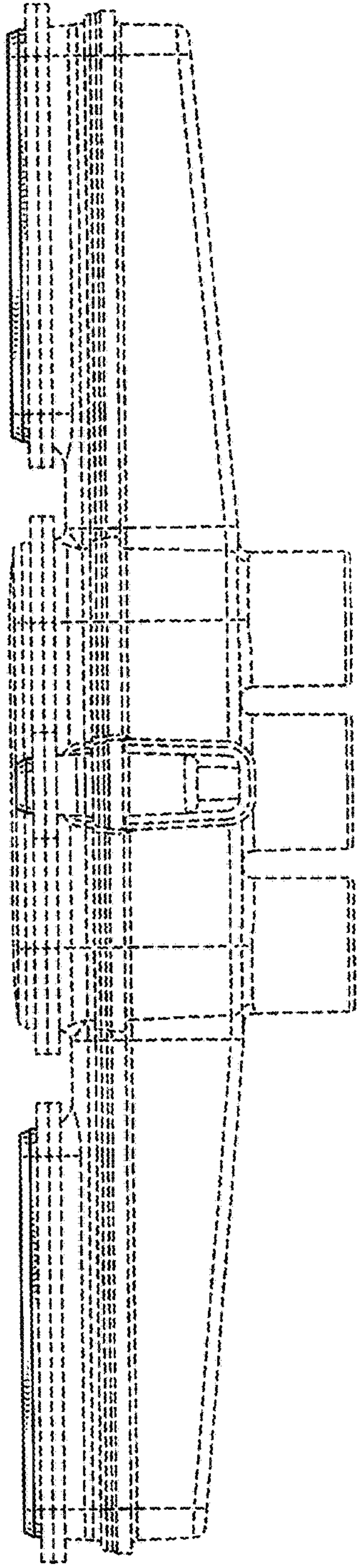


FIG. 3

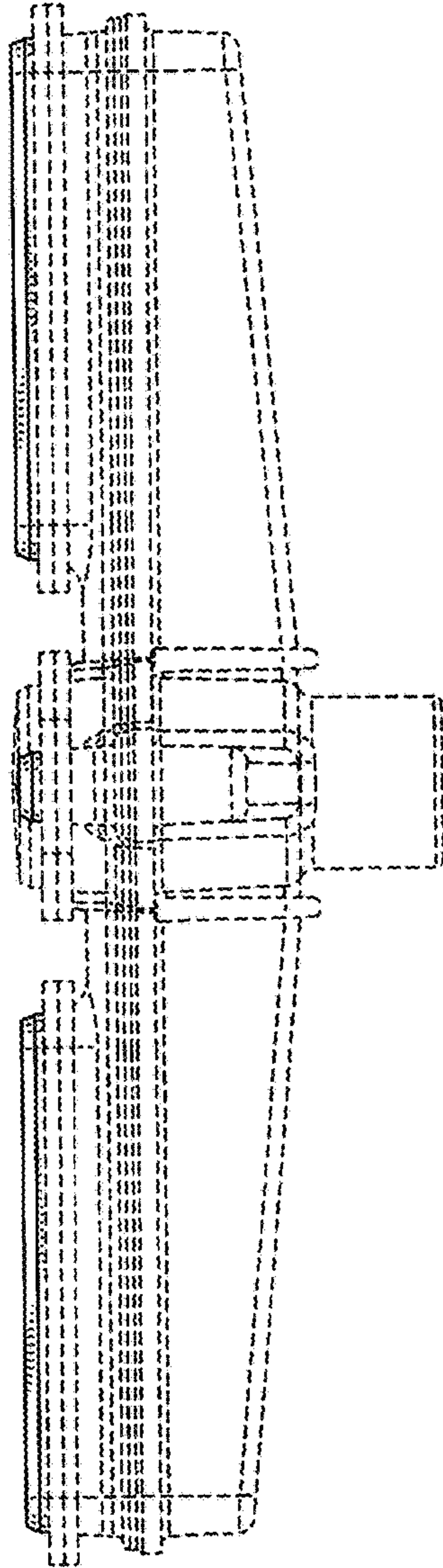


FIG. 4