



US00D820414S

(12) **United States Design Patent**
Seum et al.

(10) **Patent No.:** **US D820,414 S**

(45) **Date of Patent:** **** Jun. 12, 2018**

(54) **BATH MIXER**

(71) Applicant: **Grohe AG**, Hemer (DE)

(72) Inventors: **Michael Seum**, Duesseldorf (DE);
Mirko Goetzen, Duesseldorf (DE)

(73) Assignee: **Grohe AG**, Hemer (DE)

(**) Term: **15 Years**

(21) Appl. No.: **29/608,203**

(22) Filed: **Jun. 20, 2017**

(30) **Foreign Application Priority Data**

Dec. 20, 2016 (EM) 003529098-0001

(51) **LOC (11) Cl.** **23-01**

(52) **U.S. Cl.**
USPC **D23/254**

(58) **Field of Classification Search**
USPC D23/238-242, 249, 252, 250, 254-255,
D23/257

CPC Y10T 137/9464
See application file for complete search history.

(56) **References Cited**

U.S. PATENT DOCUMENTS

D500,841 S * 1/2005 Citterio D23/238
D514,664 S * 2/2006 Starck D23/238

D540,912 S * 4/2007 Qing D23/238
D573,230 S * 7/2008 Sieger D23/238
D584,798 S * 1/2009 Zetsche D23/238
D645,940 S * 9/2011 Ando D23/241
D677,364 S * 3/2013 Schoenherr D23/238
D758,551 S * 6/2016 Flowers D23/255
D759,211 S * 6/2016 Flowers D23/255

* cited by examiner

Primary Examiner — Robert A Delehanty

(74) *Attorney, Agent, or Firm* — Muncy, Geissler, Olds & Lowe, P.C.

(57) **CLAIM**

The ornamental design for a bath mixer, as shown and described.

DESCRIPTION

FIG. 1 is a front perspective view of a bath mixer according to the present invention.

FIG. 2 is a front view of the bath mixer of FIG. 1.

FIG. 3 is a rear view of the bath mixer of FIG. 1.

FIG. 4 is a left side view of the bath mixer of FIG. 1.

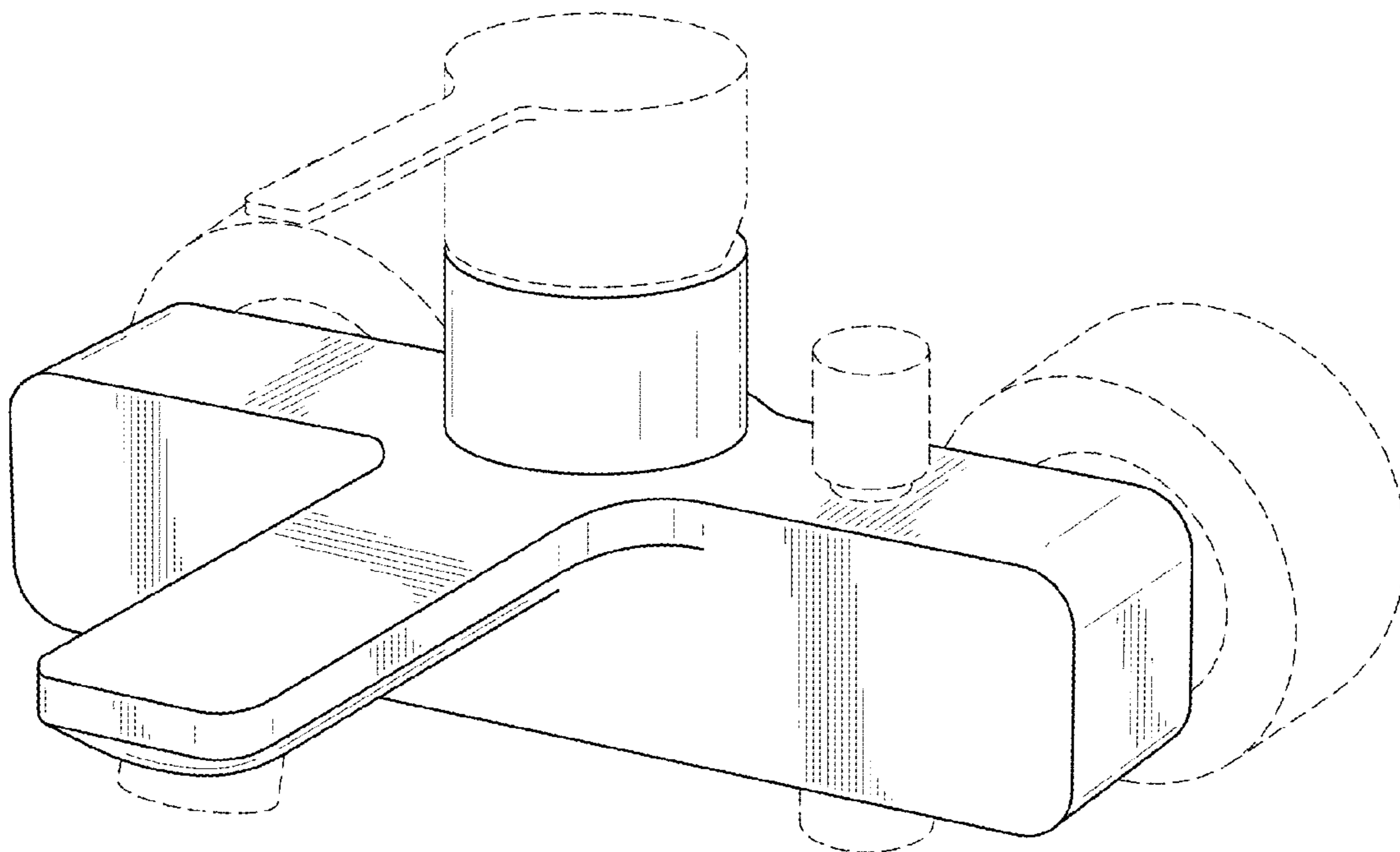
FIG. 5 is a right side view of the bath mixer of FIG. 1.

FIG. 6 is a top view of the bath mixer of FIG. 1; and,

FIG. 7 is a bottom view of the bath mixer of FIG. 1.

The dashed lines illustrate environment that does not form a part of the present invention, and no claim is made to the material illustrated with dashed lines.

1 Claim, 7 Drawing Sheets



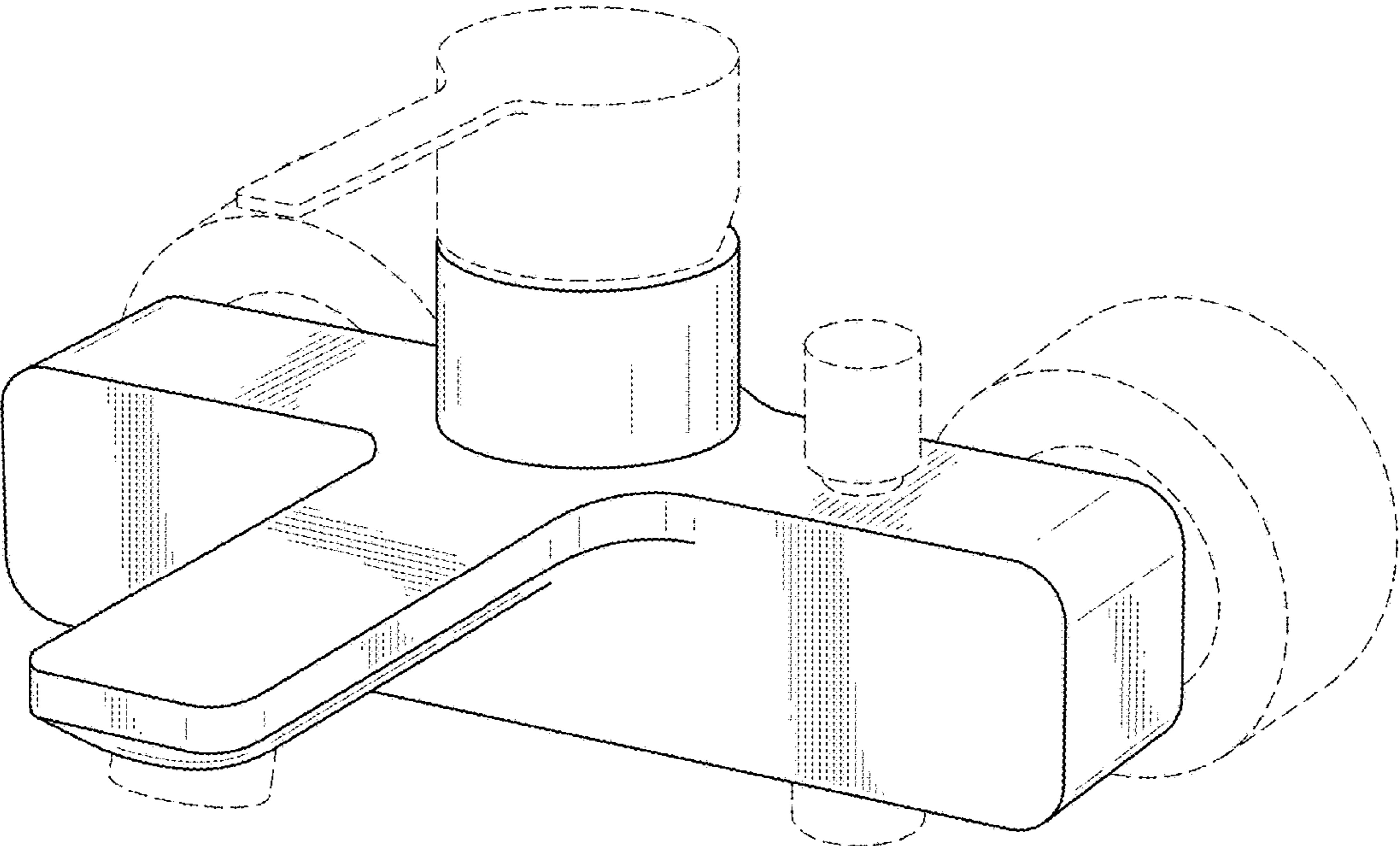


FIG.1

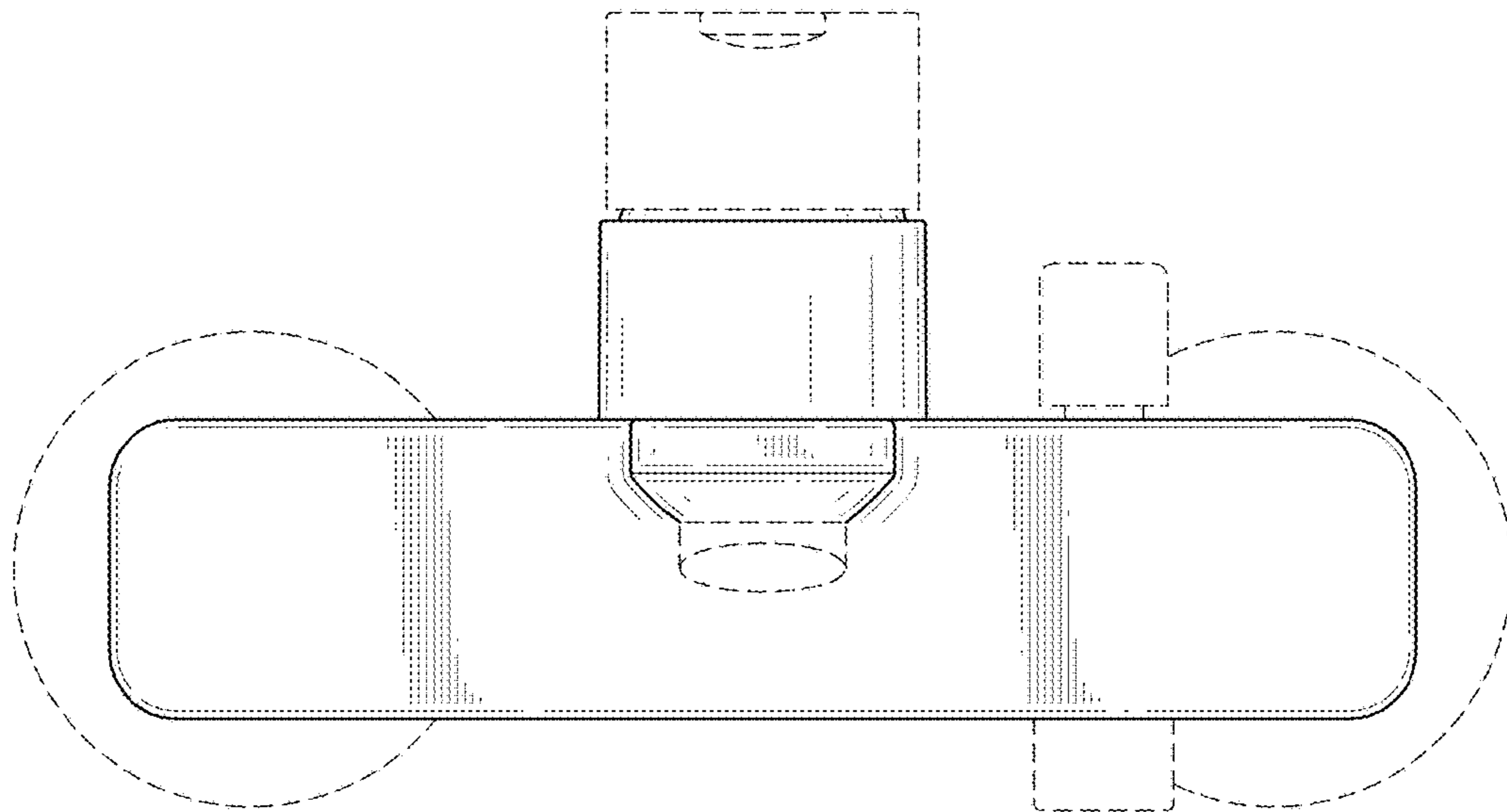


FIG.2

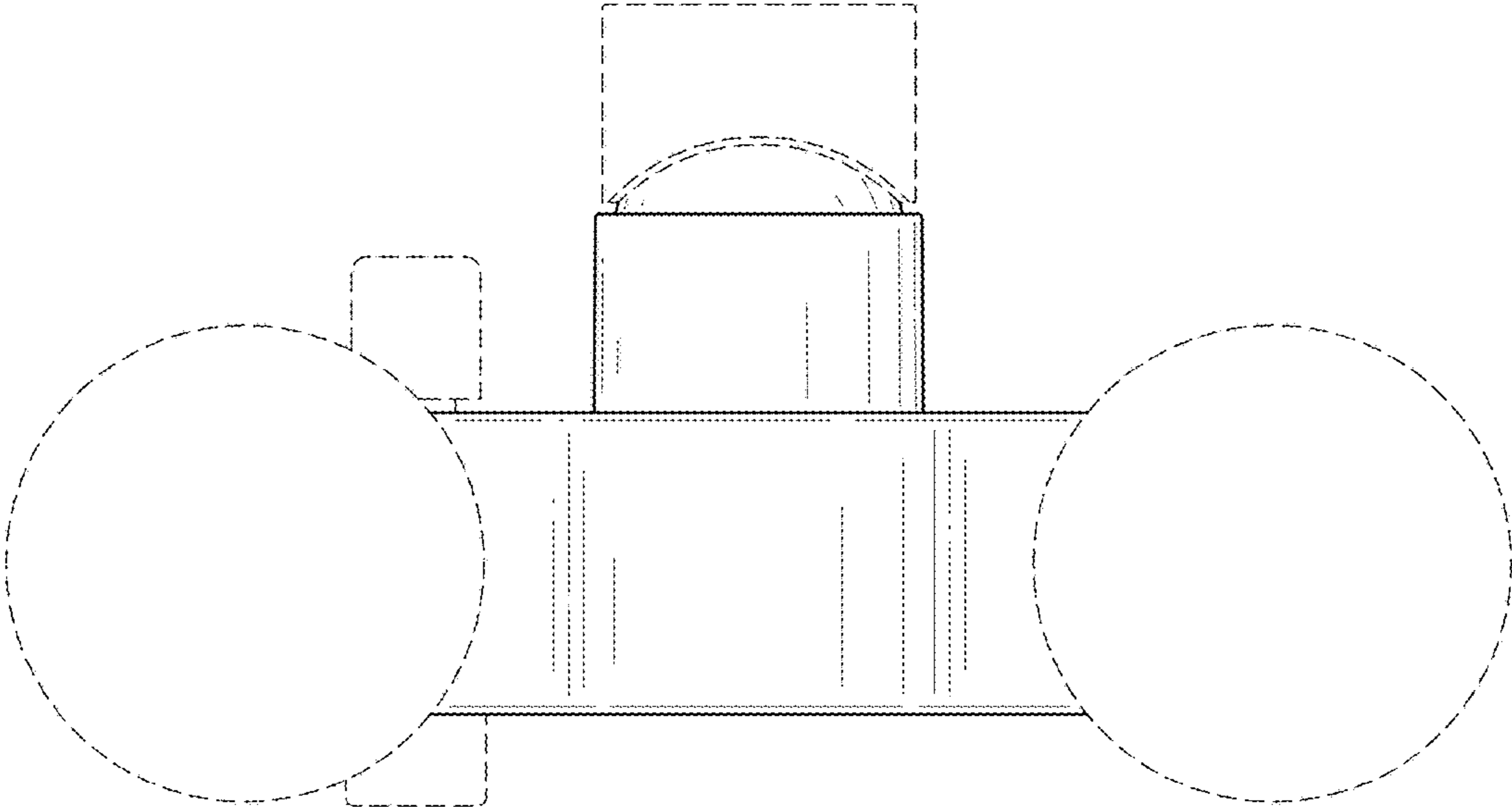


FIG.3

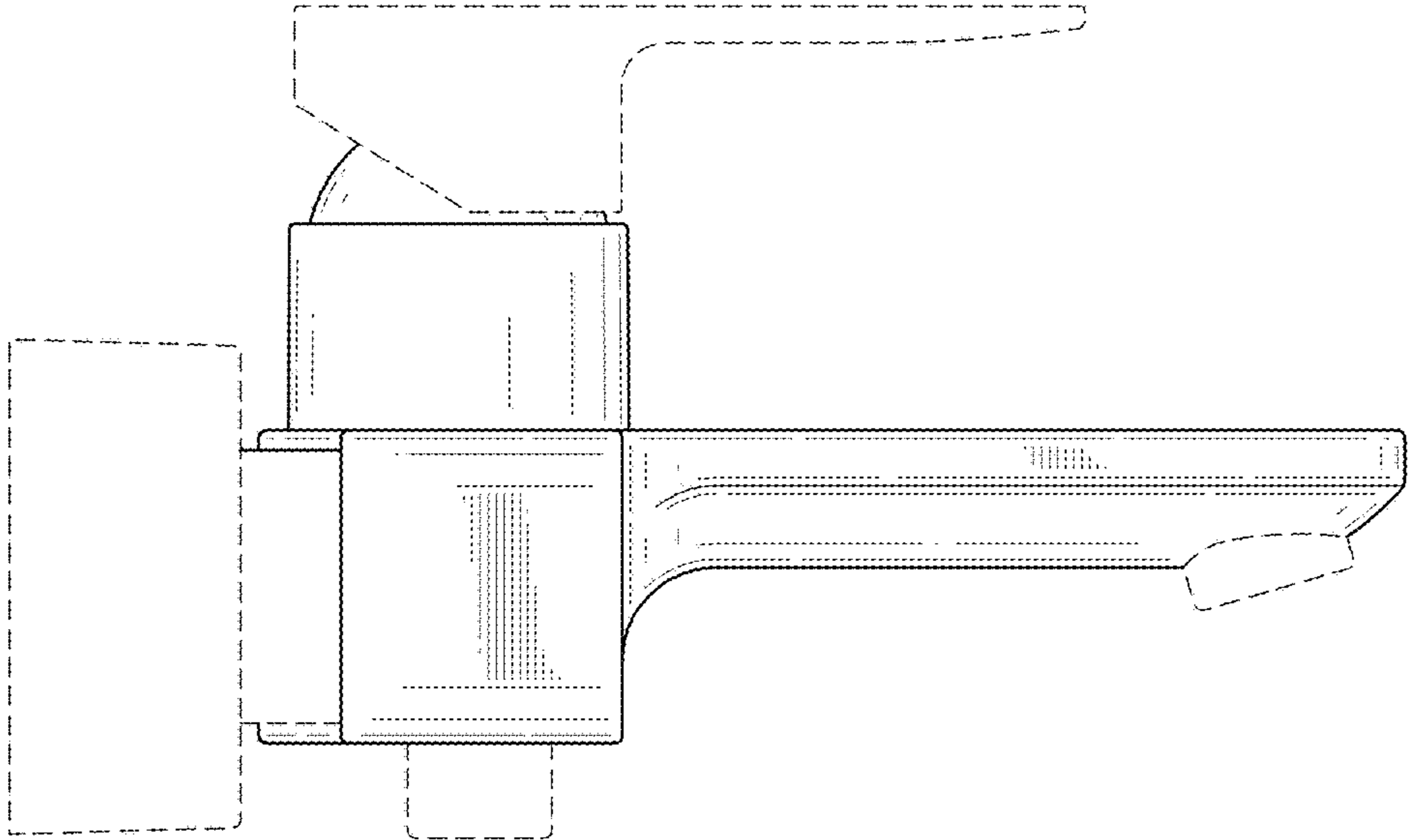


FIG.4

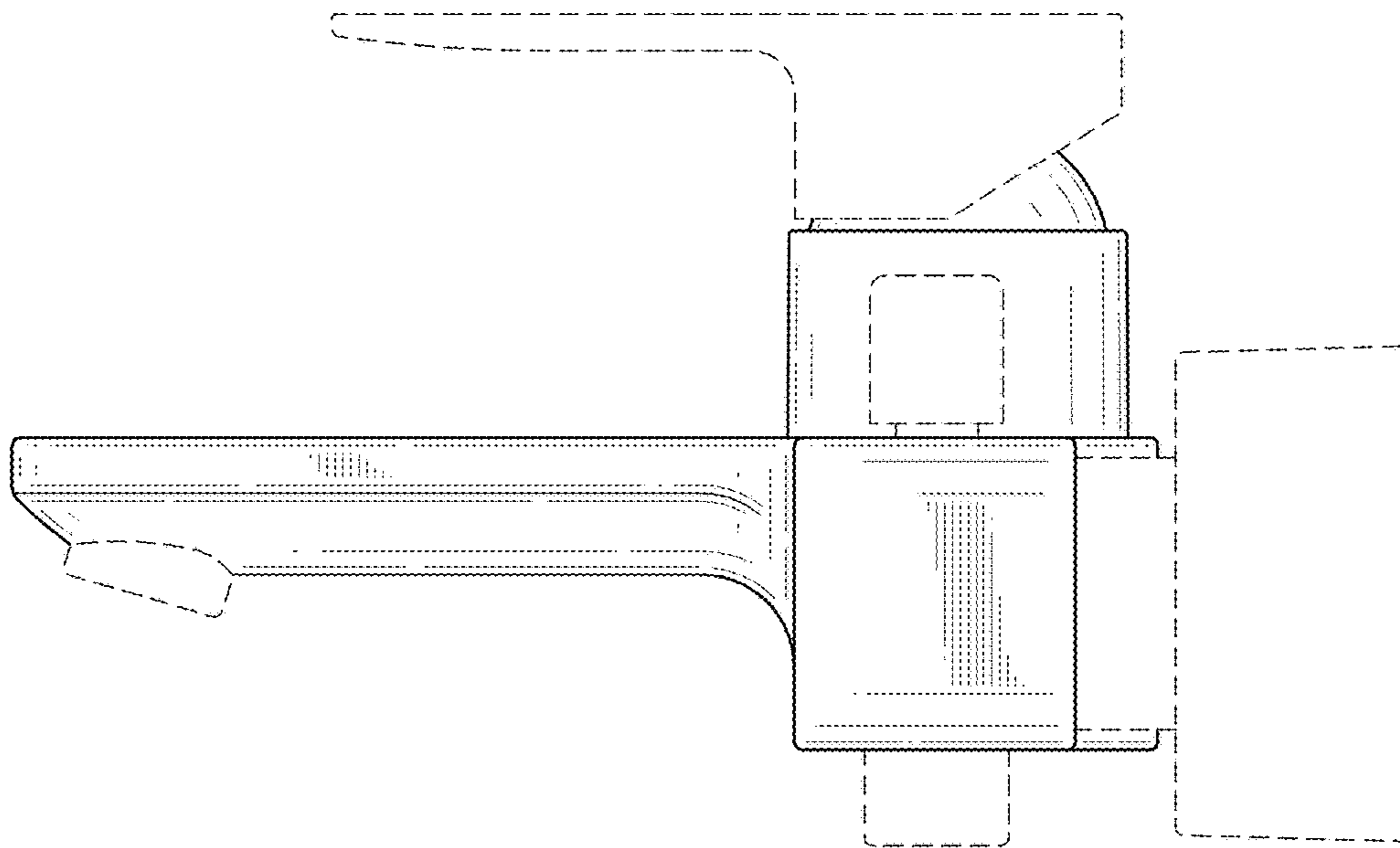


FIG.5

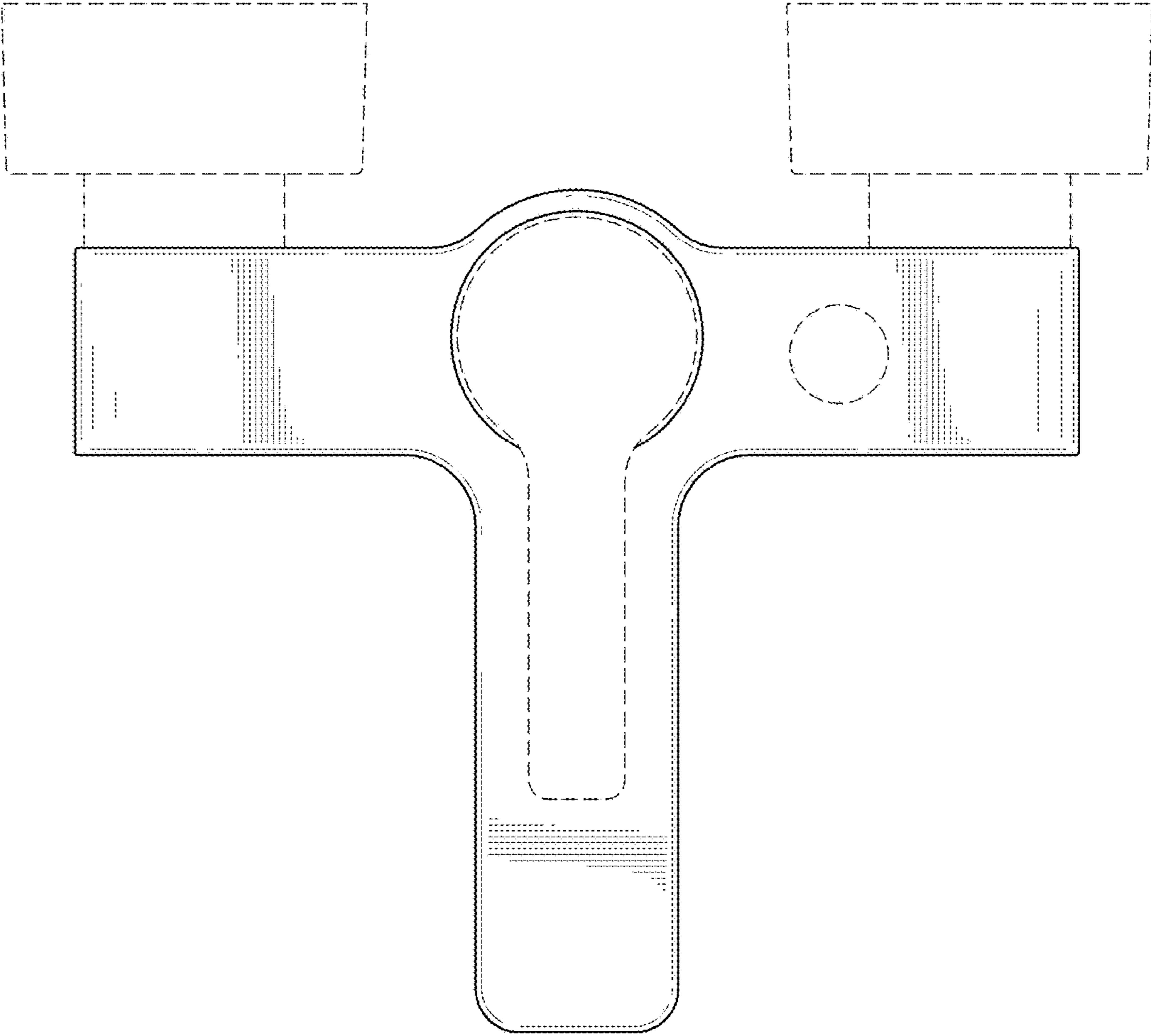


FIG.6

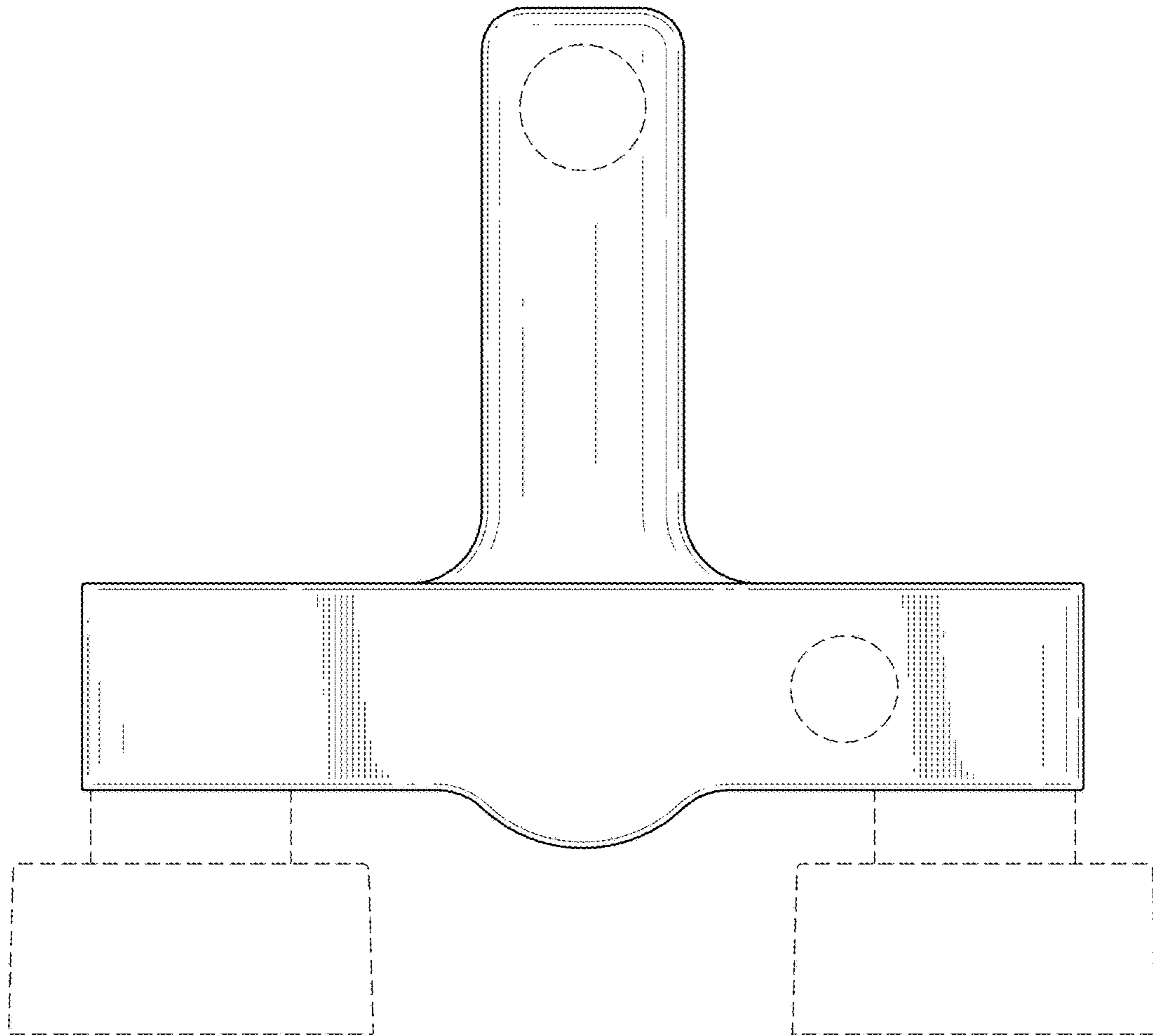


FIG.7