



US00D820413S

(12) **United States Design Patent**
Seum et al.

(10) **Patent No.:** **US D820,413 S**
(45) **Date of Patent:** **** Jun. 12, 2018**

(54) **SHOWER MIXER TRIM**

(71) Applicant: **Grohe AG**, Hemer (DE)

(72) Inventors: **Michael Seum**, Duesseldorf (DE);
Hans Lobermeier, Menden (DE)

(73) Assignee: **Grohe AG**, Hemer (DE)

(**) Term: **15 Years**

(21) Appl. No.: **29/607,553**

(22) Filed: **Jun. 14, 2017**

(30) **Foreign Application Priority Data**

Dec. 14, 2016 (EM) 003517036-0002

(51) **LOC (11) Cl.** **23-01**

(52) **U.S. Cl.**
USPC **D23/254**

(58) **Field of Classification Search**
USPC D23/250, 254, 238-24, 249; D8/300,
D8/308, 352-353, 312
CPC Y10T 137/9464
See application file for complete search history.

(56) **References Cited**

U.S. PATENT DOCUMENTS

D202,043 S * 8/1965 Cox, Jr. D8/353
D223,797 S * 6/1972 Jensen et al. D23/250
D233,234 S * 10/1974 Arbon D23/228

D475,270 S * 6/2003 Loyd D8/312
D576,708 S * 9/2008 Citterio D23/238
D591,182 S * 4/2009 Schoenherr D23/304
D610,237 S * 2/2010 Schonherr D23/245
D652,898 S * 1/2012 Flowers D23/252
D700,292 S * 2/2014 Schoenherr D23/254
D786,406 S * 5/2017 Schoenherr D23/250

* cited by examiner

Primary Examiner — Robert A Delehanty

(74) *Attorney, Agent, or Firm* — Muncy, Geissler, Olds & Lowe, P.C.

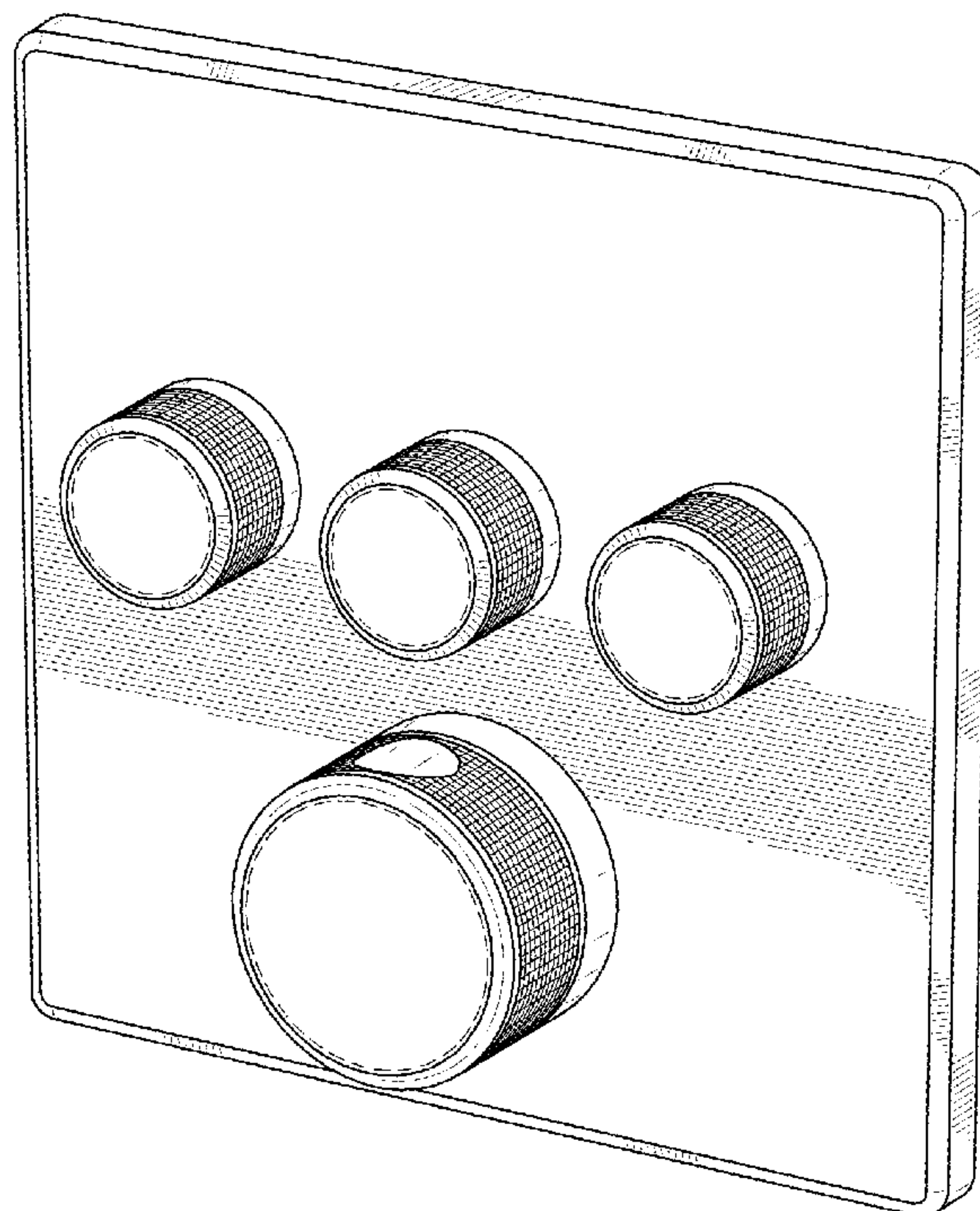
(57) **CLAIM**

The ornamental design for a shower mixer trim, as shown and described.

DESCRIPTION

FIG. 1 is a front perspective view of a shower mixer trim according to the present invention.
FIG. 2 is a front view of the shower mixer trim of FIG. 1.
FIG. 3 is a rear view of the shower mixer trim of FIG. 1.
FIG. 4 is a left side view of the shower mixer trim of FIG. 1.
FIG. 5 is a right side view of the shower mixer trim of FIG. 1.
FIG. 6 is a top view of the shower mixer trim of FIG. 1; and, FIG. 7 is a bottom view of the shower mixer trim of FIG. 1.
The dashed lines shown on the top surfaces of the knobs and on the rear of the shower mixer trim define the bounds of the claimed design and no claim is made to the material illustrated within the dashed lines thereof.

1 Claim, 7 Drawing Sheets



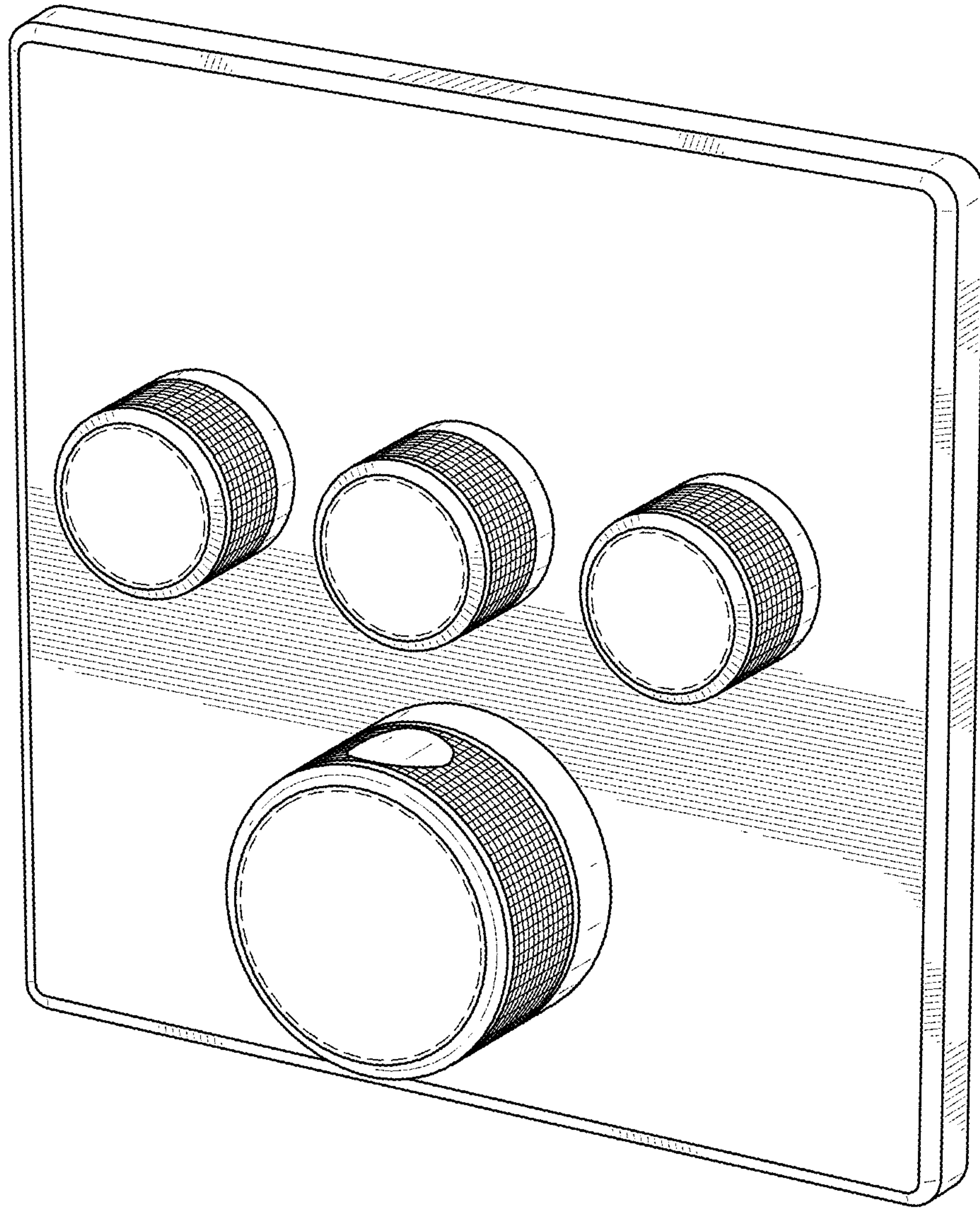


FIG.1

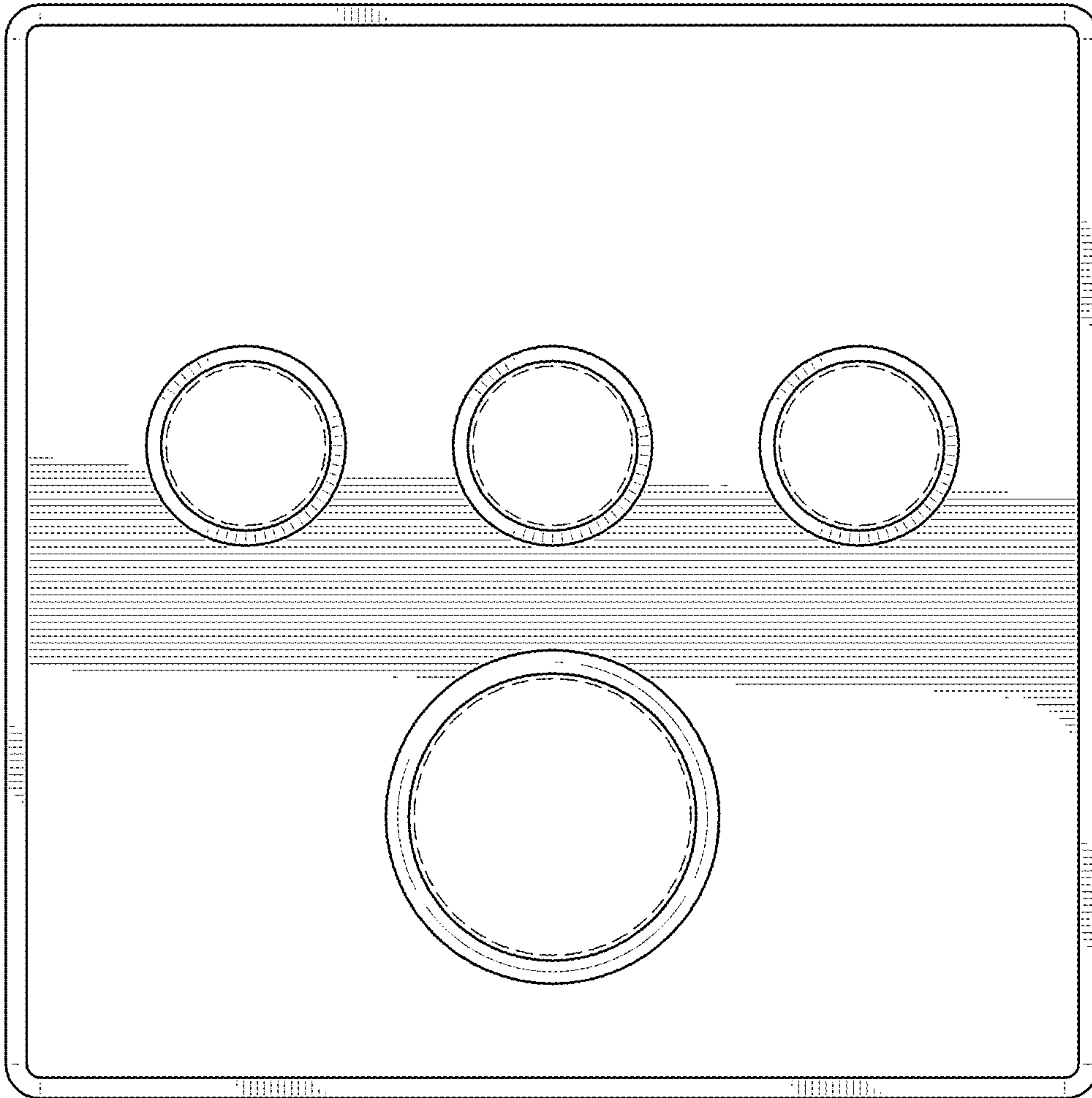


FIG.2

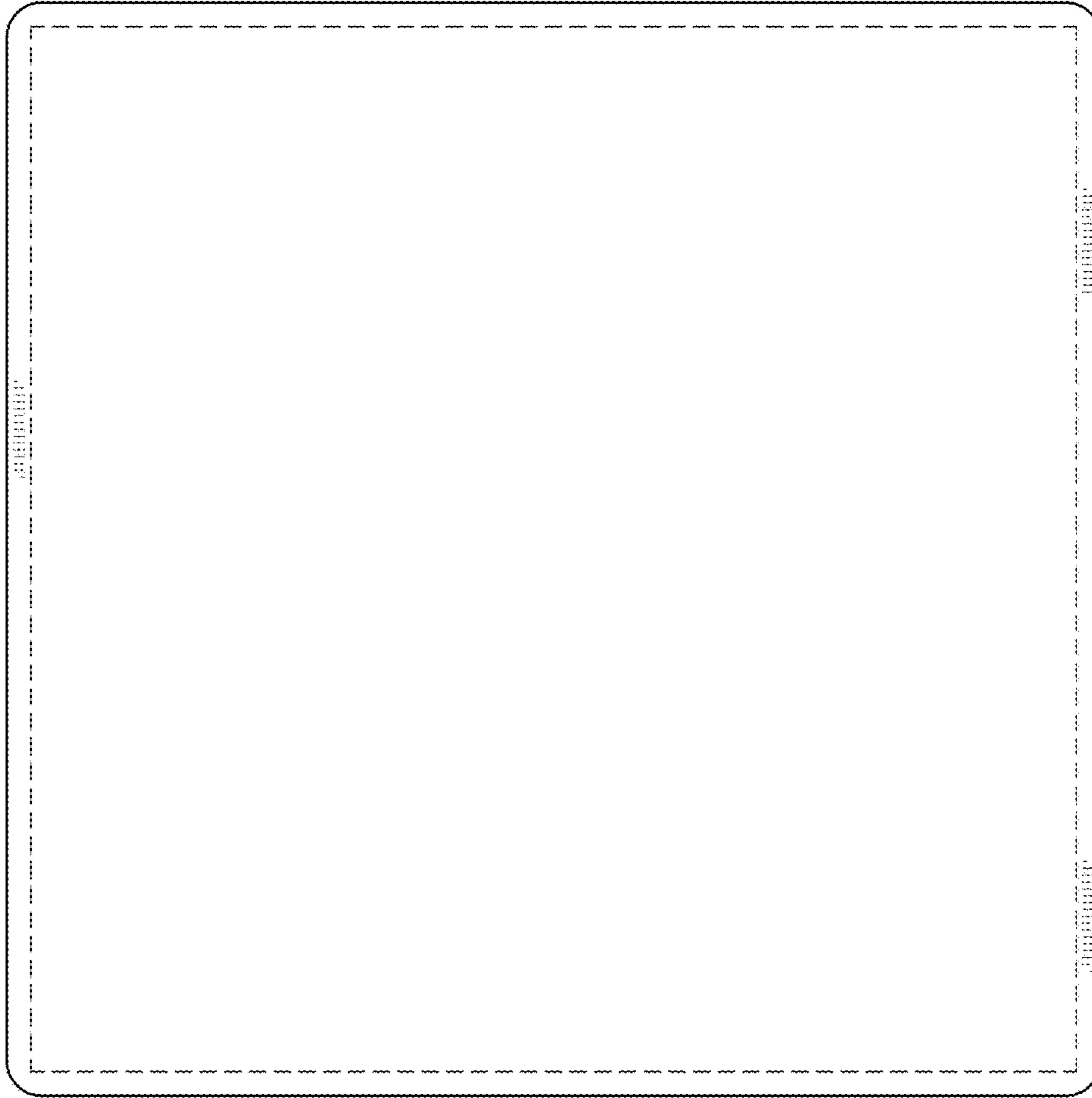


FIG.3

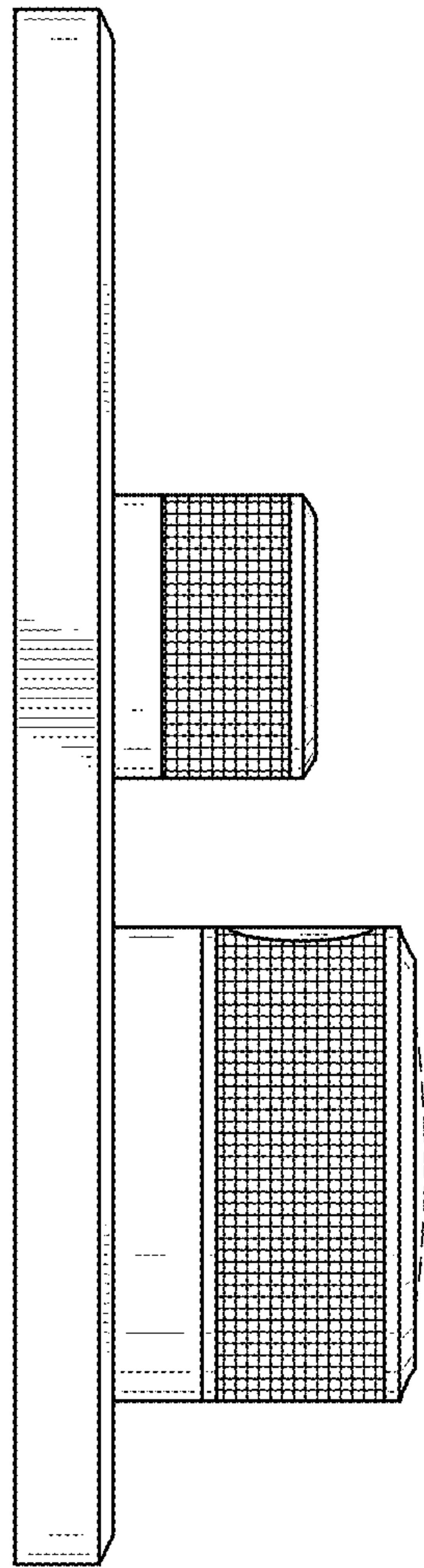


FIG.4

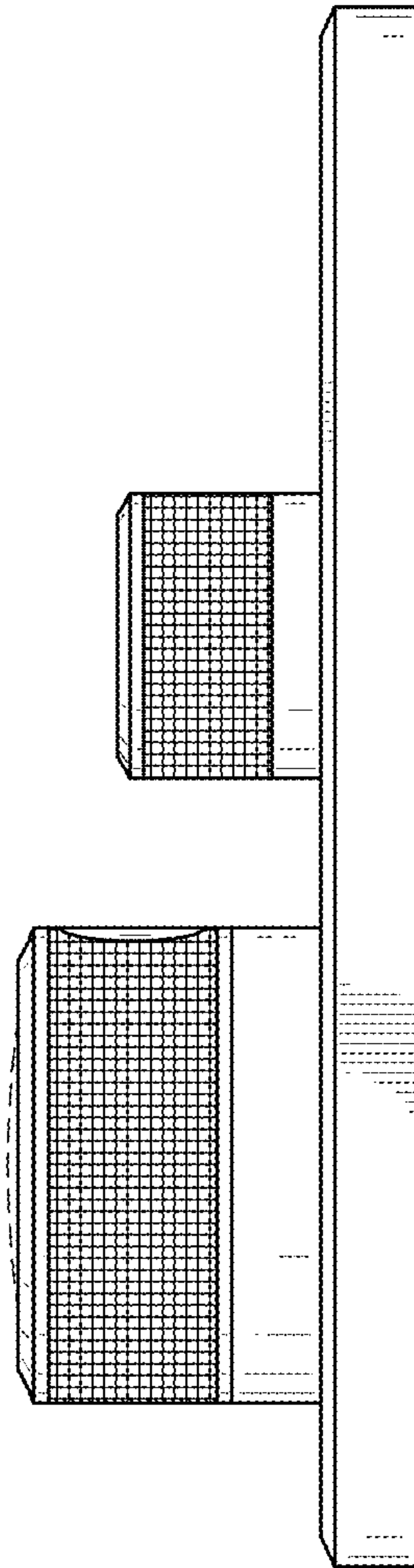


FIG.5

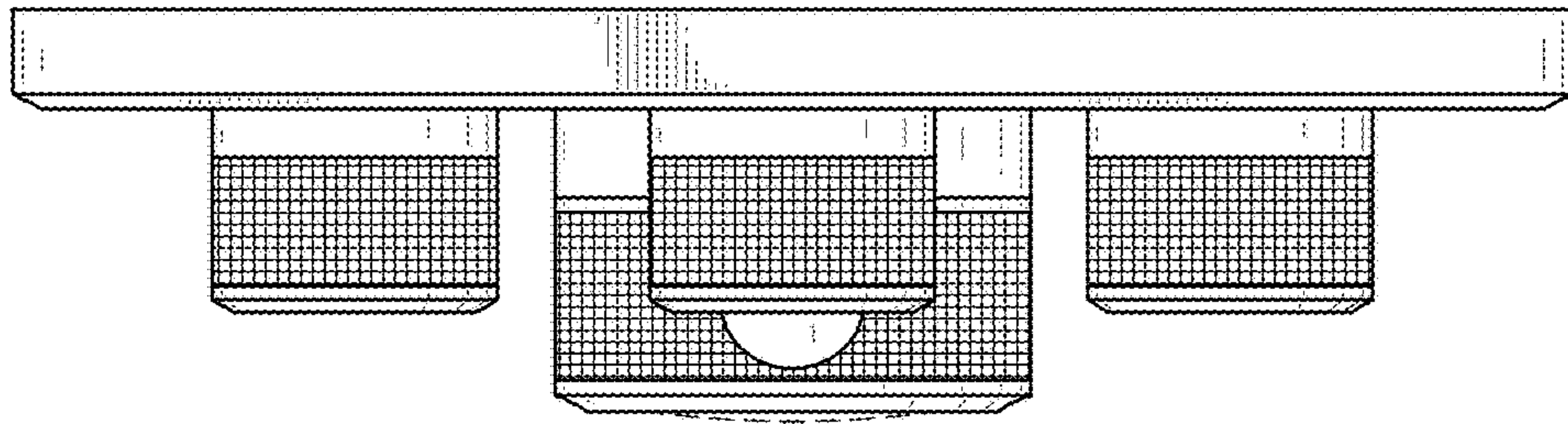


FIG.6

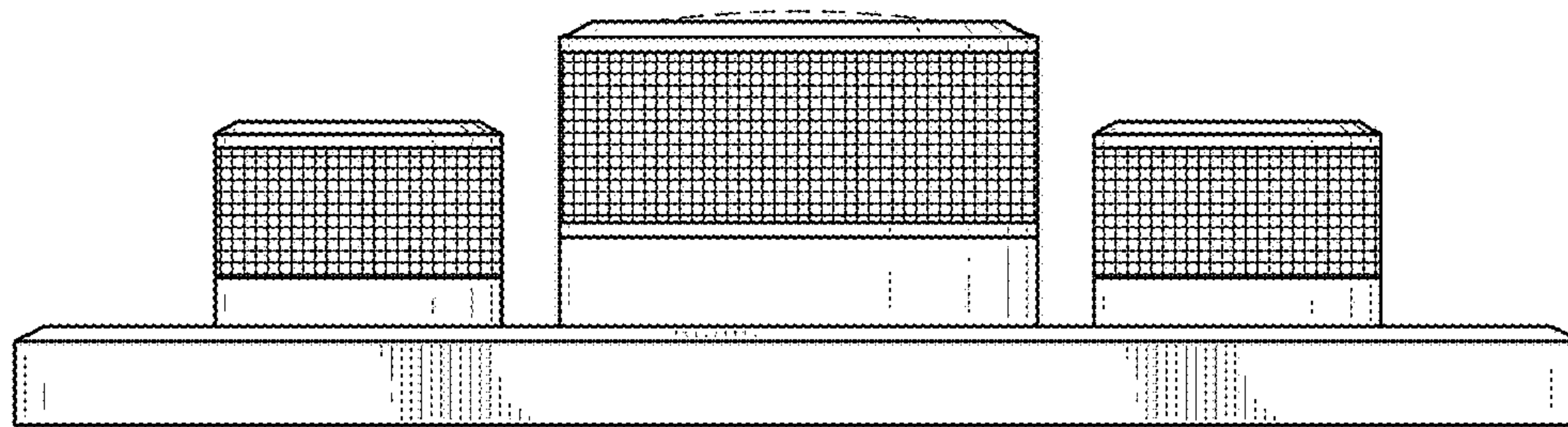


FIG.7