



US00D820410S

(12) **United States Design Patent**
Zeng

(10) **Patent No.:** **US D820,410 S**
(45) **Date of Patent:** **** Jun. 12, 2018**

- (54) **FAUCET**
- (71) Applicant: **Foshan Shunde Yajiasi Kitchen Cabinet Co., Ltd.**, Foshan, Guangdong Province (CN)
- (72) Inventor: **Deju Zeng**, Foshan (CN)
- (**) Term: **15 Years**
- (21) Appl. No.: **29/607,680**
- (22) Filed: **Jun. 15, 2017**
- (51) **LOC (11) Cl.** **23-01**
- (52) **U.S. Cl.**
USPC **D23/242**
- (58) **Field of Classification Search**
USPC D23/238-243, 249-250, 252, 254-255, D23/257; D8/307-308
CPC Y10T 137/9464
See application file for complete search history.

- D463,010 S * 9/2002 Ouyoung D23/241
- D510,981 S * 10/2005 Green D23/241
- D511,562 S * 11/2005 Ouyoung D23/241

* cited by examiner

Primary Examiner — Robert A Delehanty
(74) *Attorney, Agent, or Firm* — Novoclaims Patent Services LLC; Mei Lin Wong

(57) **CLAIM**

The ornamental design of a faucet, as shown and described.

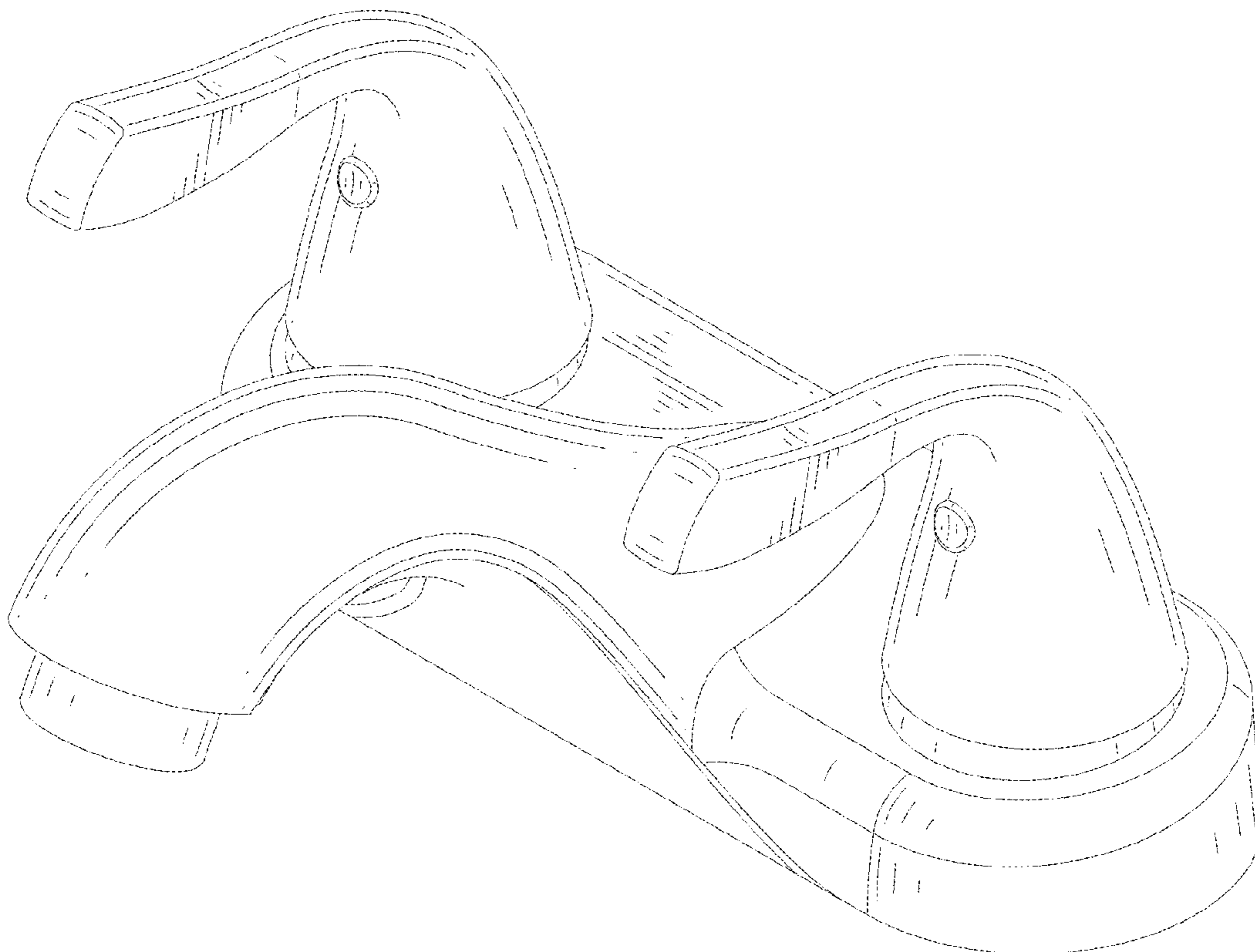
DESCRIPTION

FIG. 1 is a perspective view of a faucet, showing my new design.
 FIG. 2 is a second perspective view thereof.
 FIG. 3 is a third perspective view thereof.
 FIG. 4 is a front elevational view thereof.
 FIG. 5 is a rear elevational view thereof.
 FIG. 6 is a left side elevational view thereof.
 FIG. 7 is a right side elevational view thereof.
 FIG. 8 is a top plan view thereof; and,
 FIG. 9 is a bottom plan view thereof.
 The broken lines in the drawings represent unclaimed subject matter and form no part of the claim.

(56) **References Cited**
U.S. PATENT DOCUMENTS

- D316,747 S * 5/1991 Fleischmann D23/252
- D415,825 S * 10/1999 Chang D23/241

1 Claim, 9 Drawing Sheets



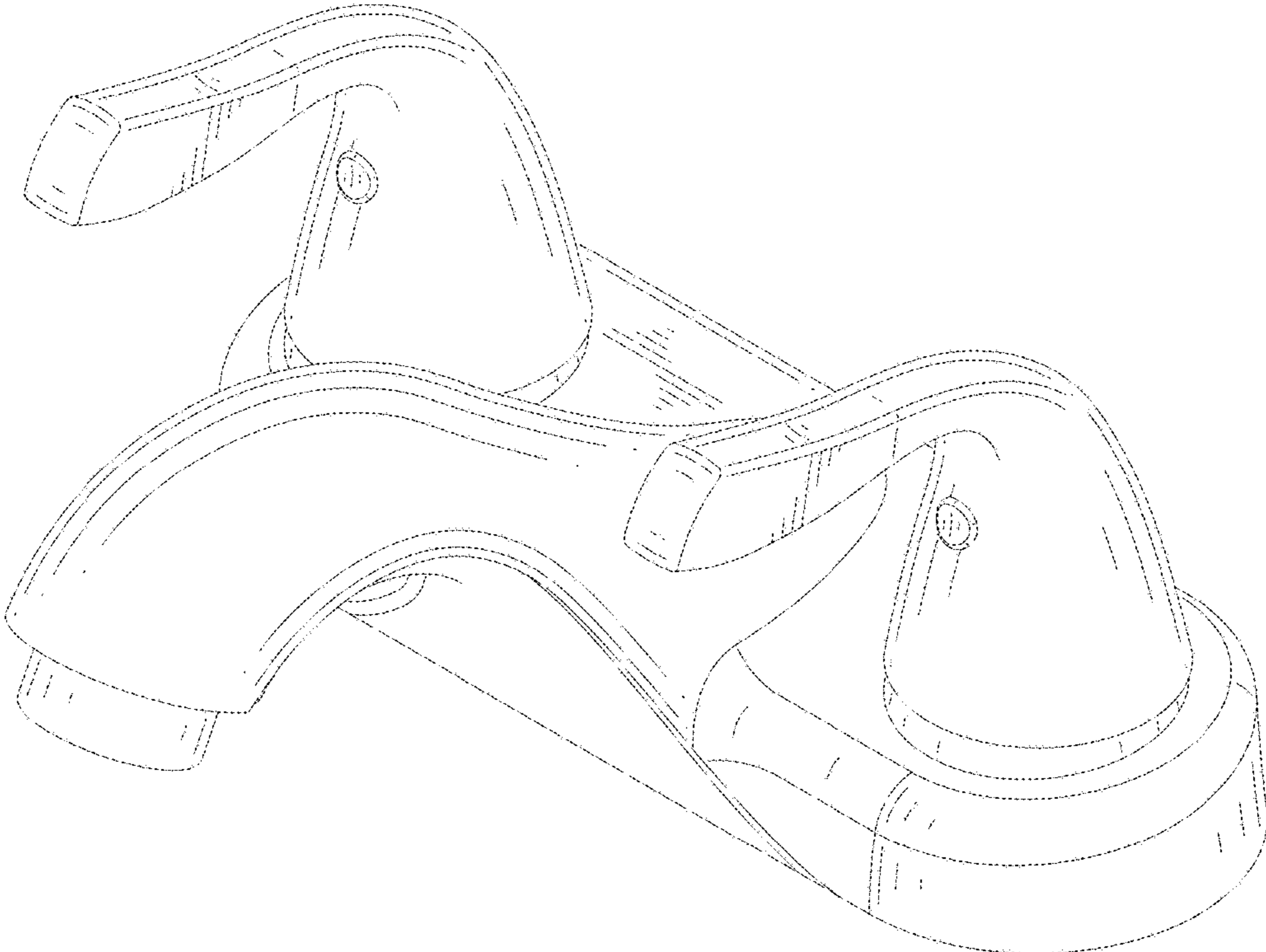


FIG.1

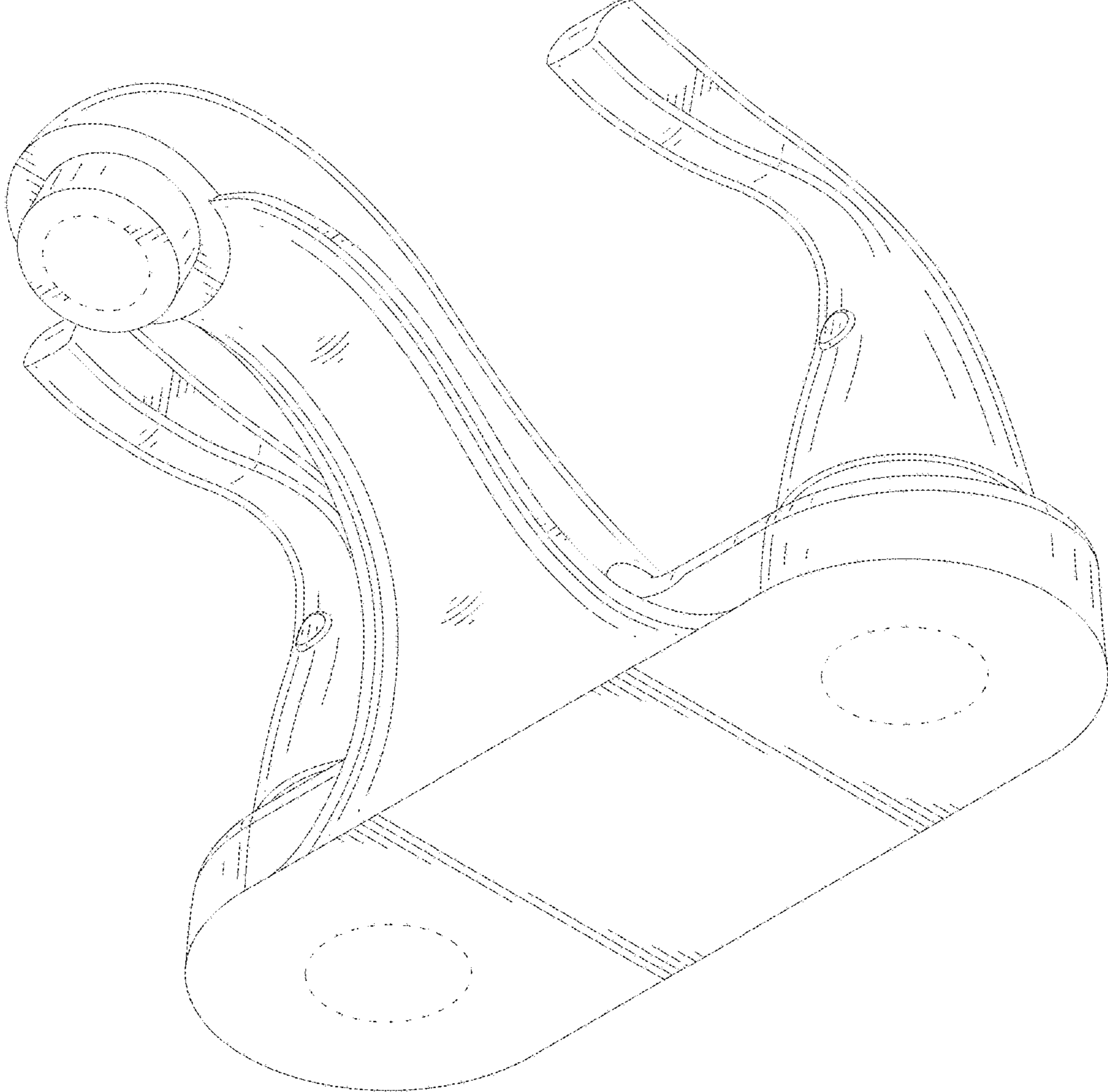


FIG.2

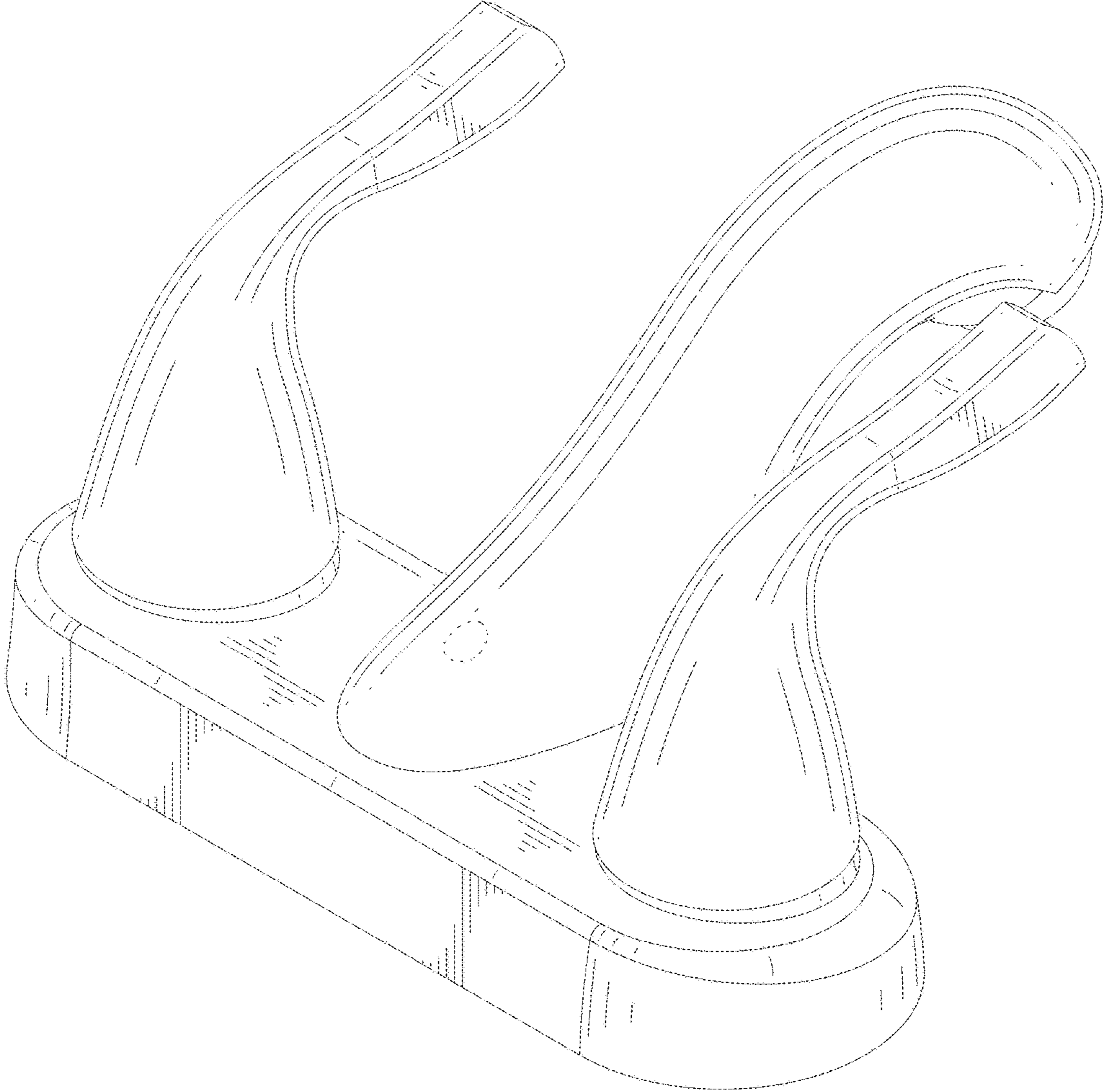


FIG.3

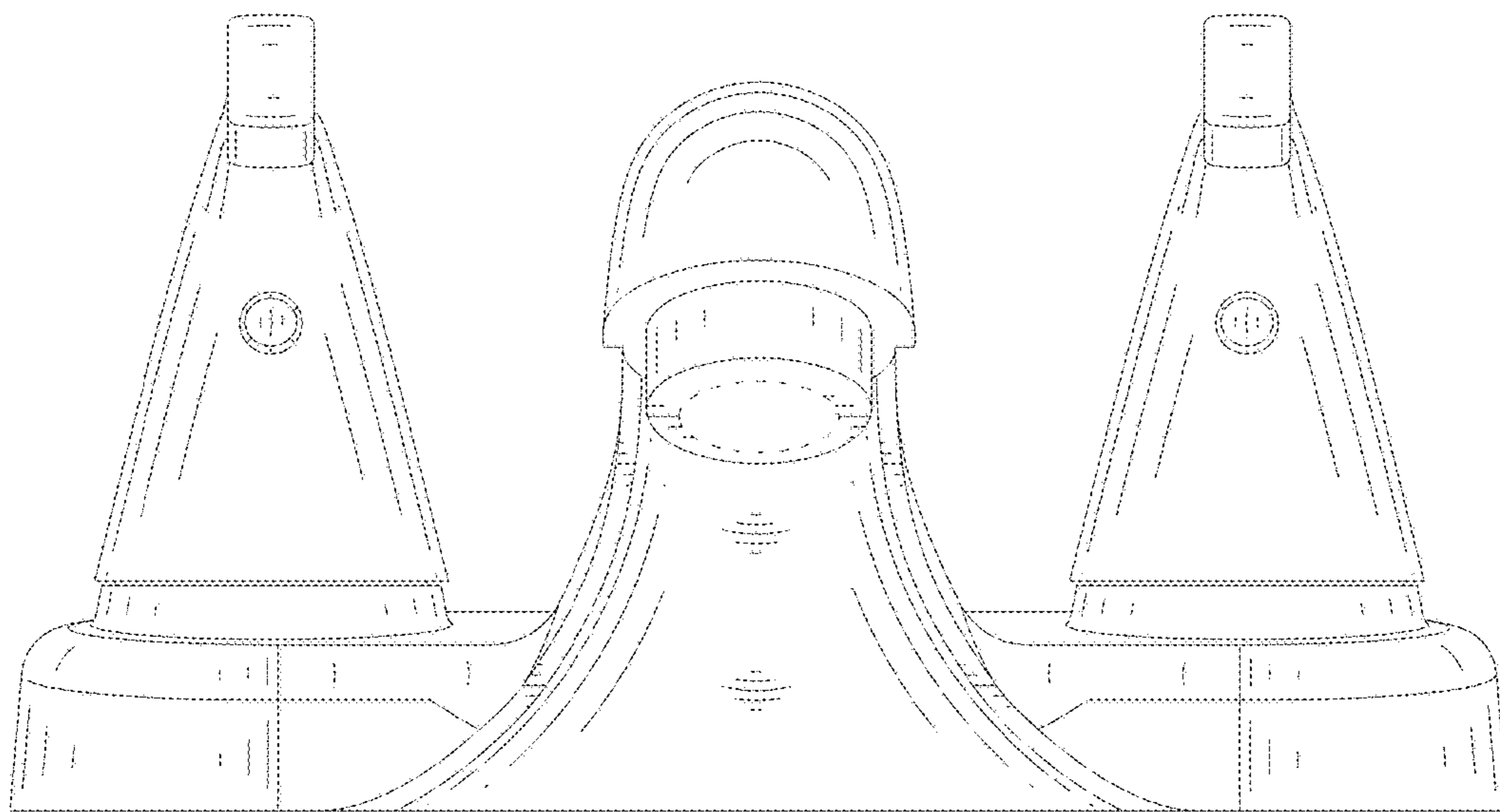


FIG.4

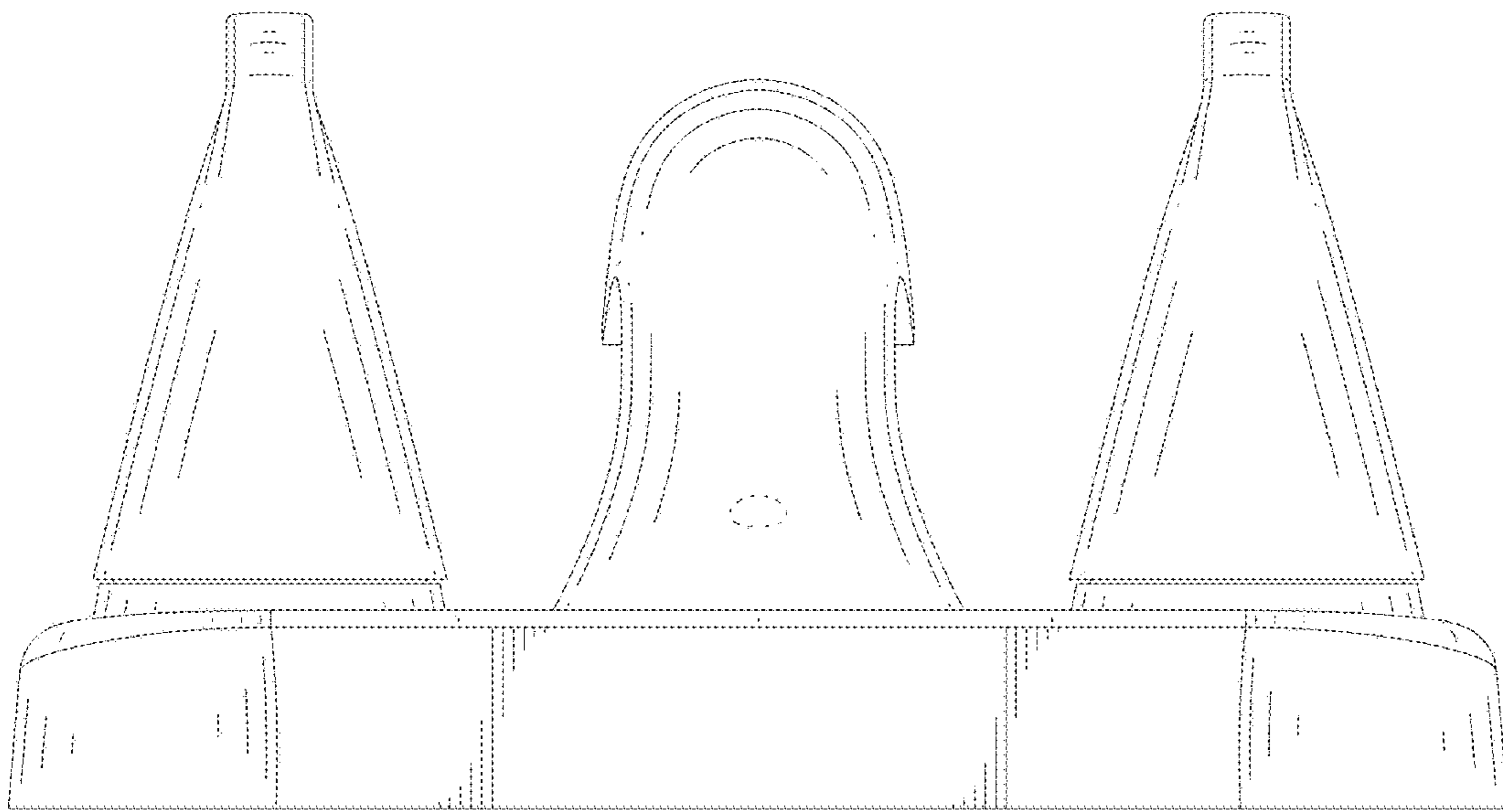


FIG.5

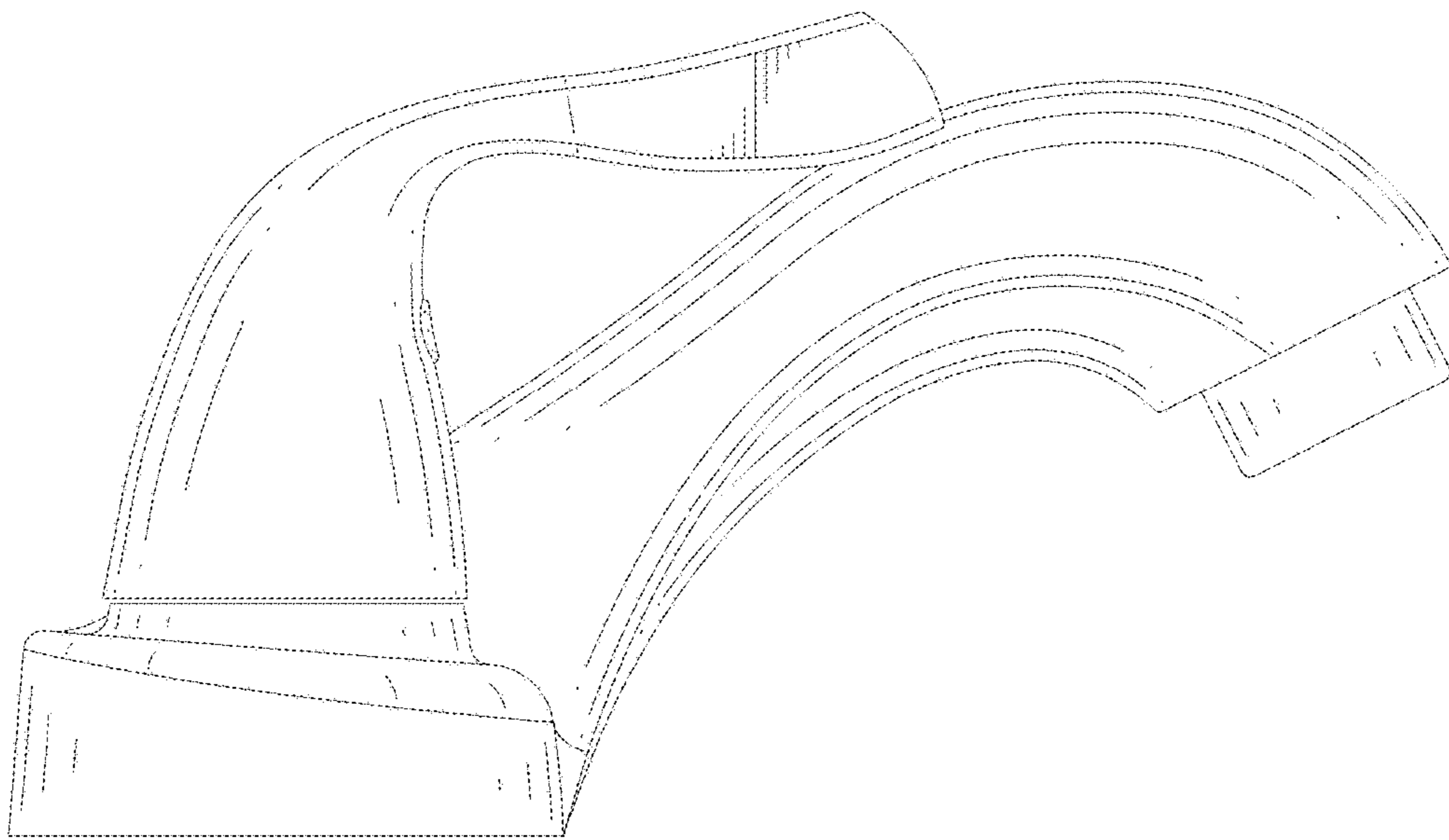


FIG.6

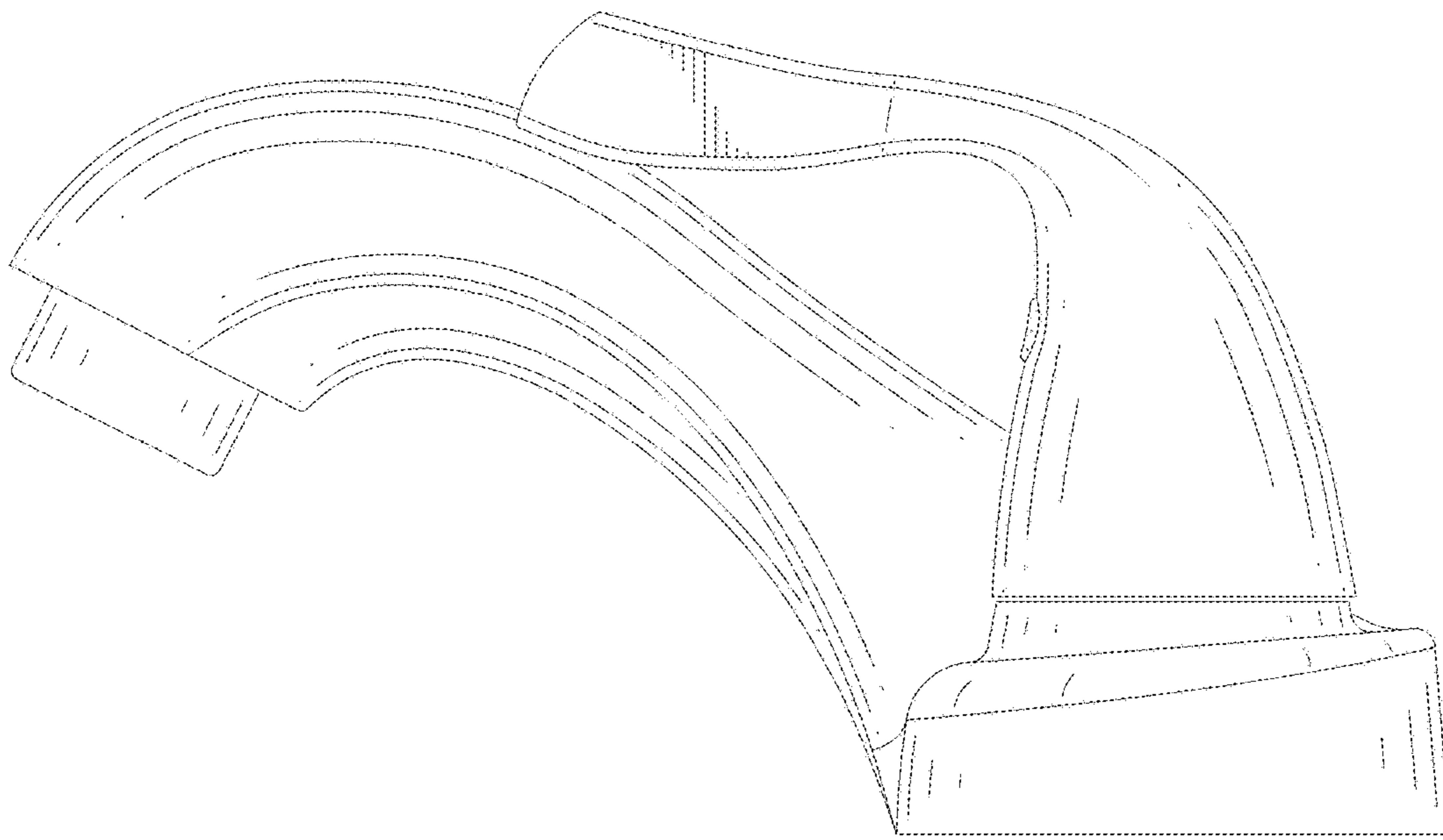


FIG.7

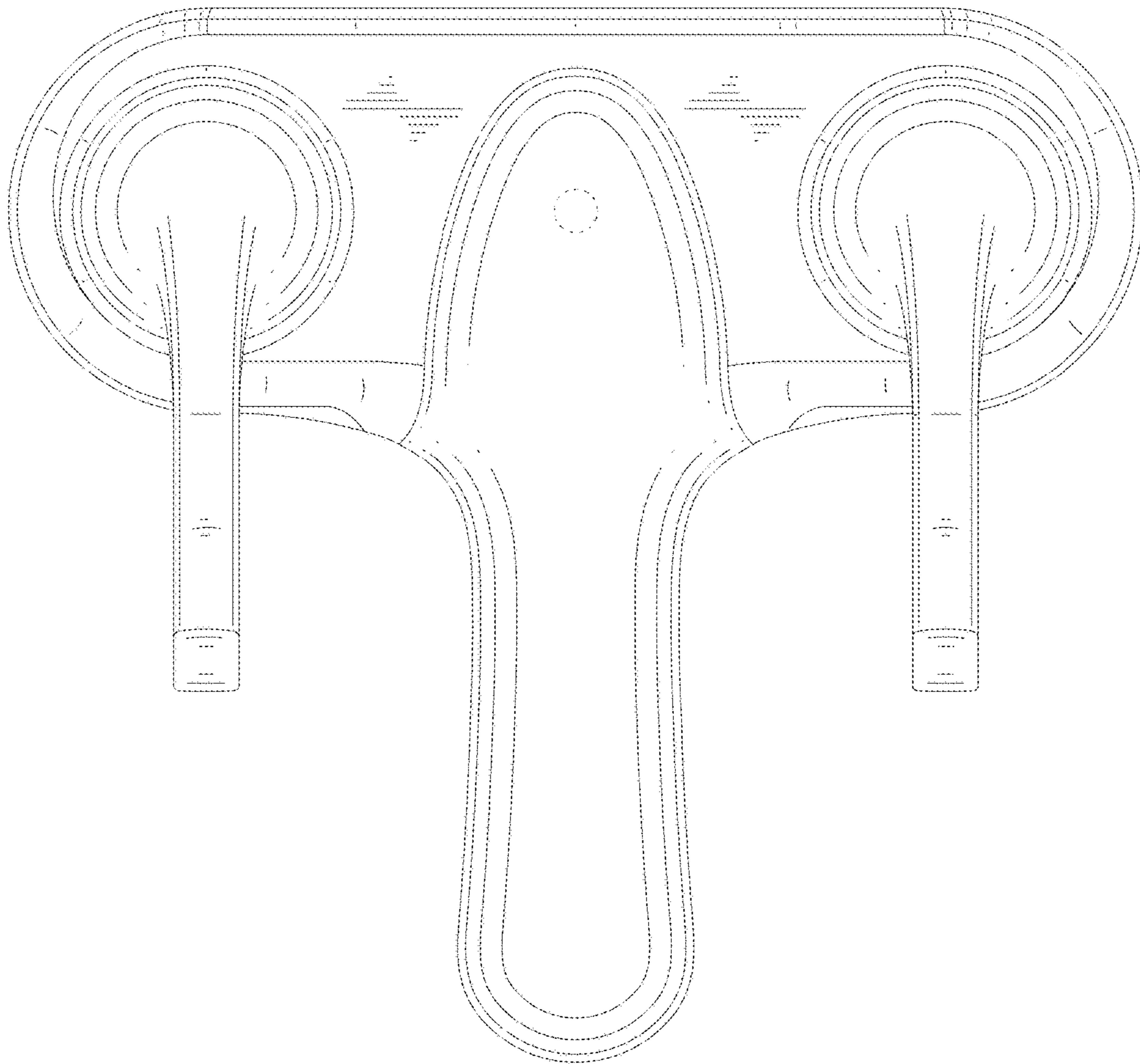


FIG.8

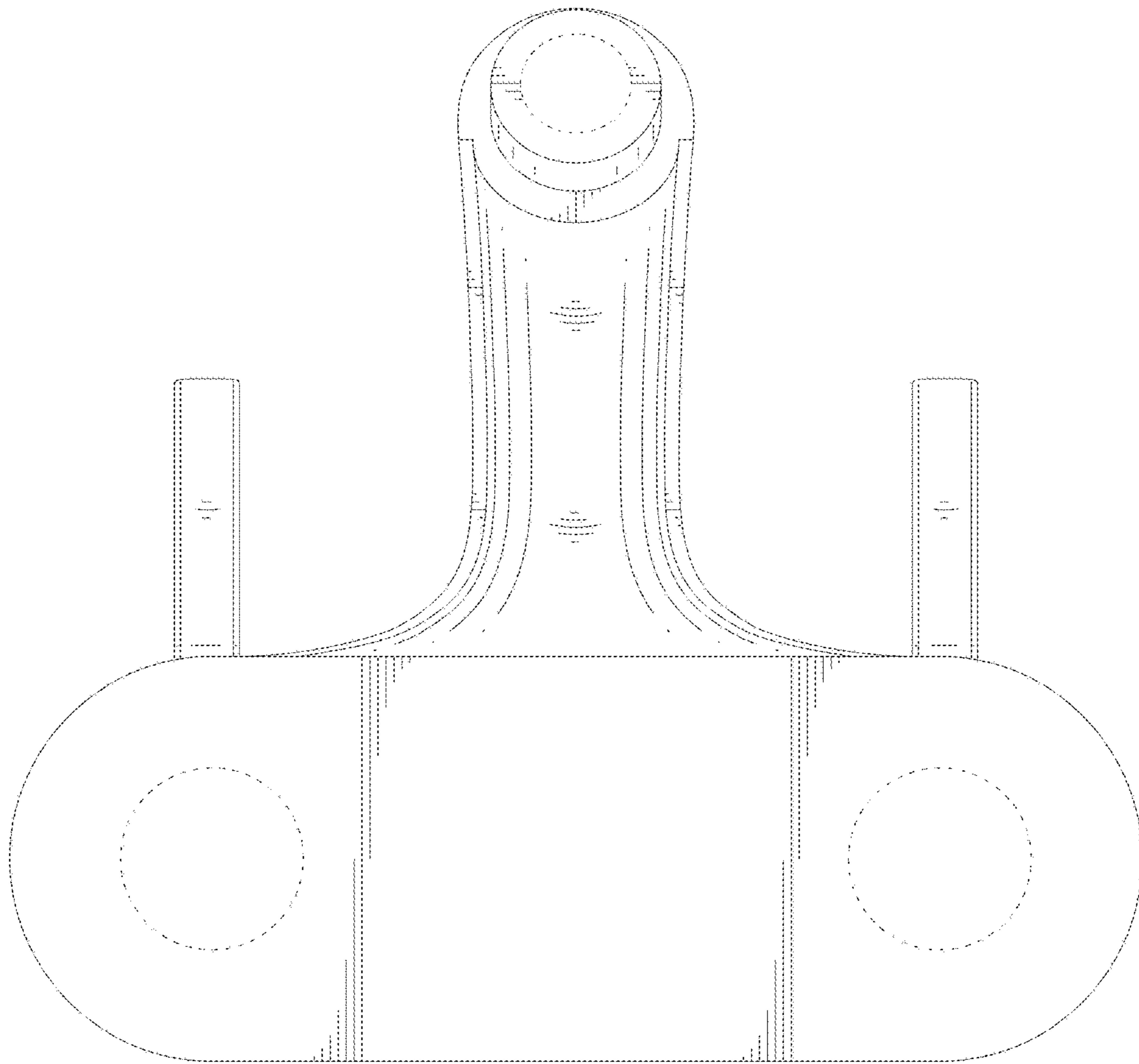


FIG.9