



US00D820409S

(12) **United States Design Patent**  
**Zeng**

(10) **Patent No.:** **US D820,409 S**

(45) **Date of Patent:** **\*\* Jun. 12, 2018**

(54) **FAUCET**

(71) Applicant: **Foshan Shunde Yajiasi Kitchen Cabinet Co., Ltd.**, Foshan, Guangdong Province (CN)

(72) Inventor: **Deju Zeng**, Foshan (CN)

(\*\*) Term: **15 Years**

(21) Appl. No.: **29/605,813**

(22) Filed: **May 30, 2017**

(51) **LOC (11) Cl.** ..... **23-01**

(52) **U.S. Cl.**  
USPC ..... **D23/242**

(58) **Field of Classification Search**  
USPC ..... D23/238-243, 249-250, 252, 254-255, D23/257; D8/307-308  
CPC ..... Y10T 137/9464  
See application file for complete search history.

(56) **References Cited**

**U.S. PATENT DOCUMENTS**

D460,523 S \* 7/2002 Green ..... D23/241  
D490,502 S \* 5/2004 Ouyoung ..... D23/252

D515,182 S \* 2/2006 Ouyoung ..... D23/252  
D518,149 S \* 3/2006 Spangler ..... D23/241  
D529,997 S \* 10/2006 Chen ..... D23/241  
D666,697 S \* 9/2012 Romero ..... D23/252

\* cited by examiner

*Primary Examiner* — Robert A Delehanty

(74) *Attorney, Agent, or Firm* — Novoclaims Patent Services LLC; Mei Lin Wong

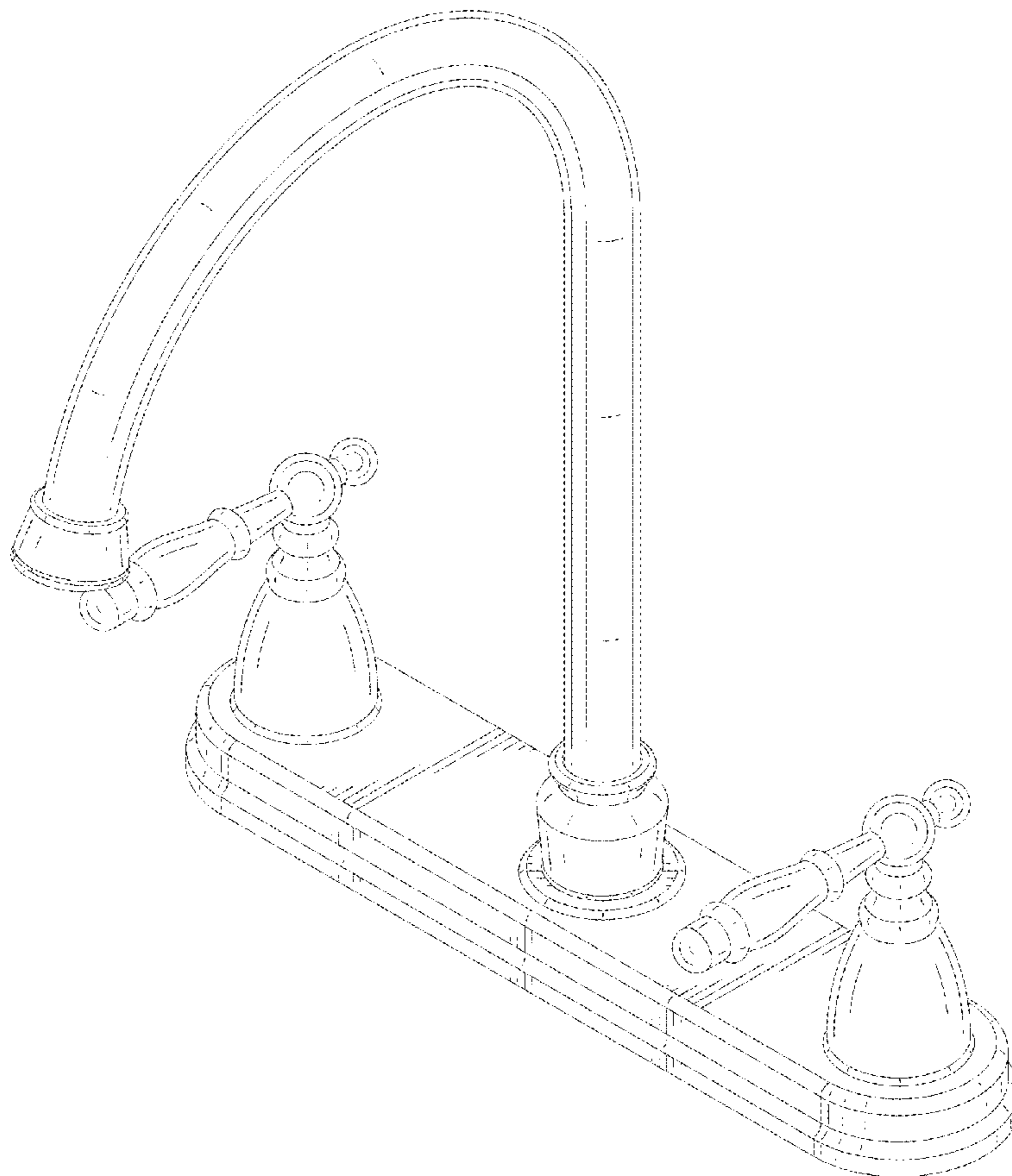
(57) **CLAIM**

The ornamental design of a faucet, as shown and described.

**DESCRIPTION**

FIG. 1 is a perspective view of a faucet, showing my new design.  
FIG. 2 is a front elevational view thereof.  
FIG. 3 is a rear elevational view thereof.  
FIG. 4 is a left side elevational view thereof.  
FIG. 5 is a right side elevational view thereof.  
FIG. 6 is a top plan view thereof; and,  
FIG. 7 is a bottom plan view thereof.  
The broken lines in the drawings represent unclaimed subject matter and form no part of the claim.

**1 Claim, 7 Drawing Sheets**



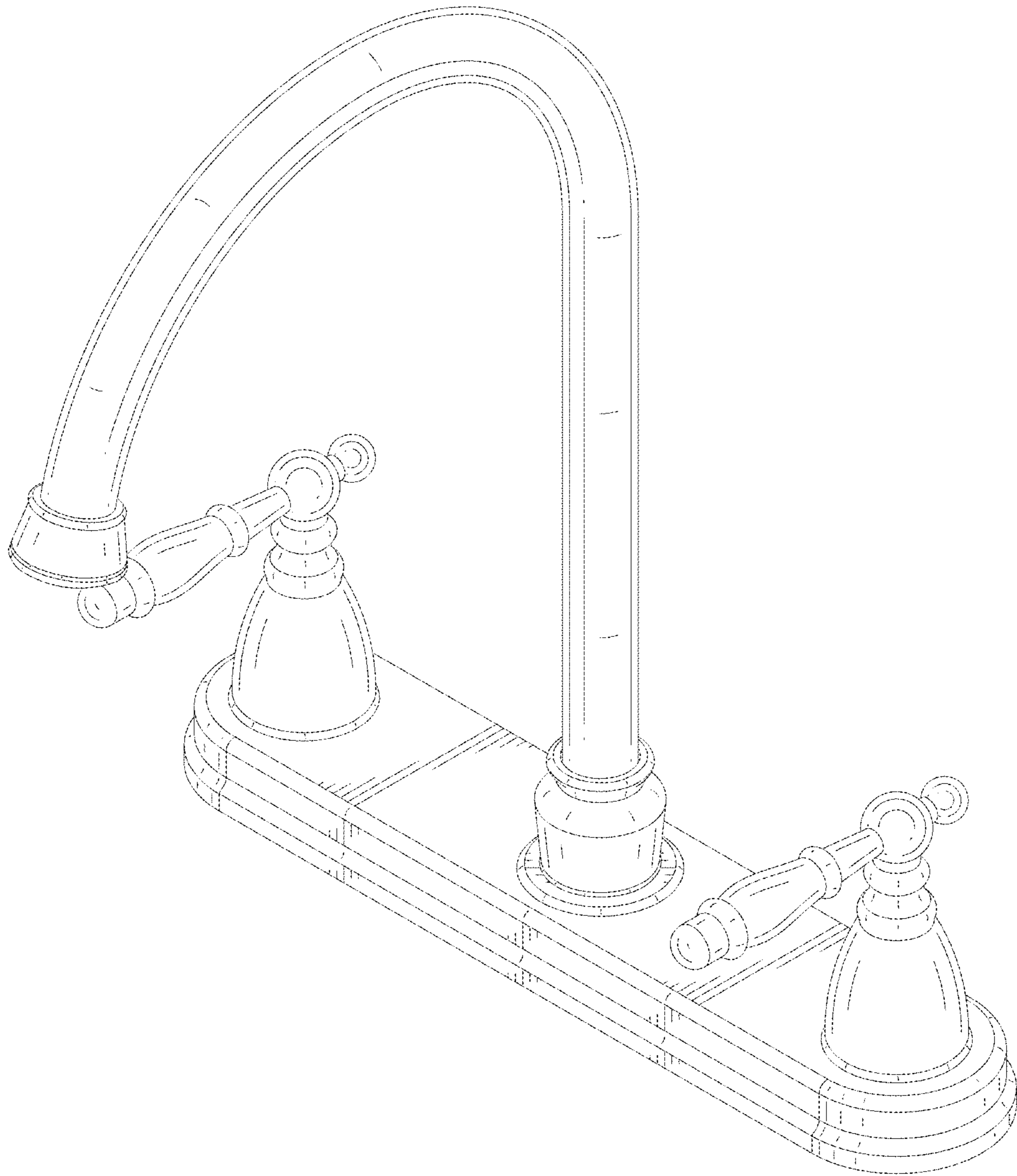


FIG.1

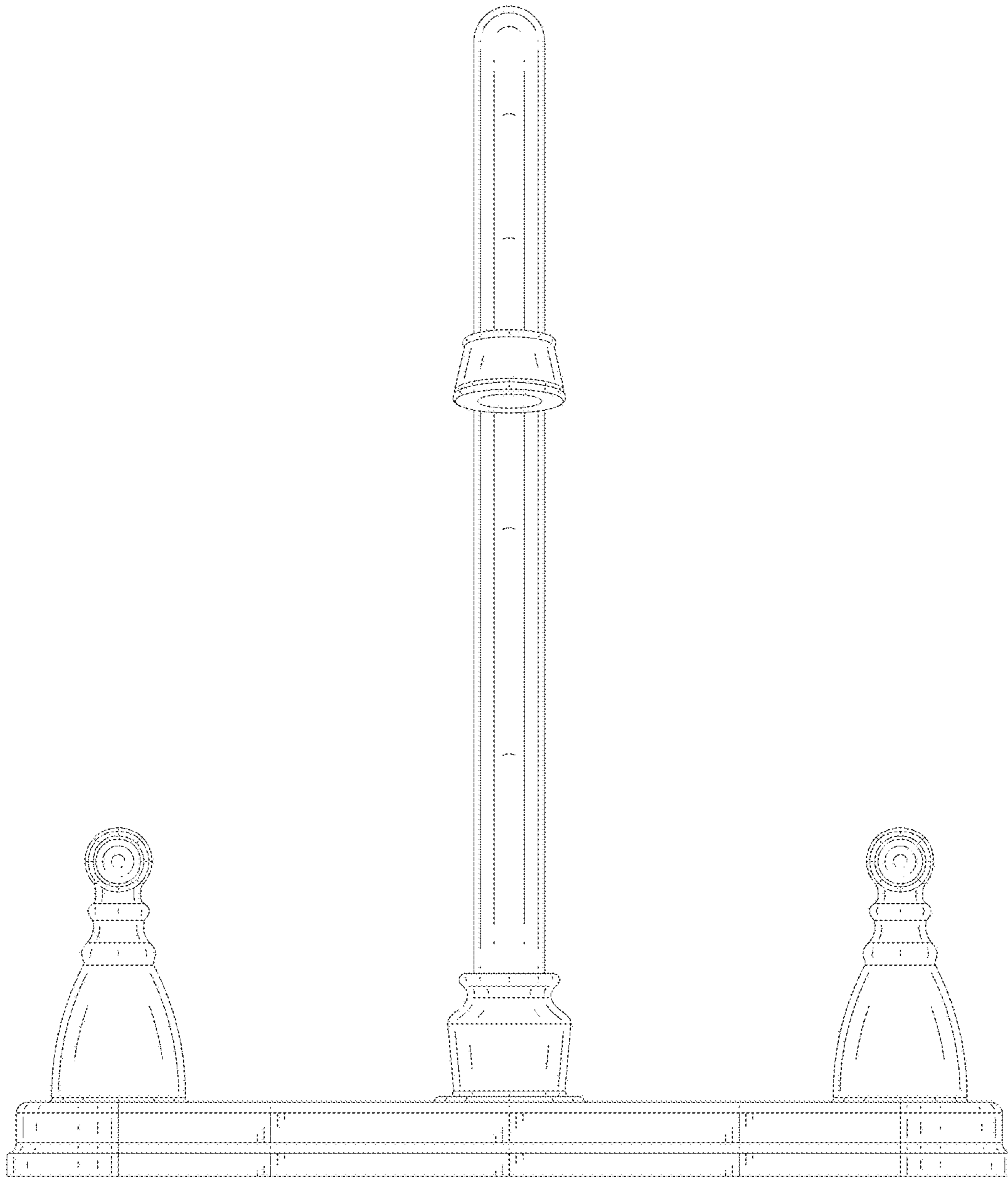


FIG. 2

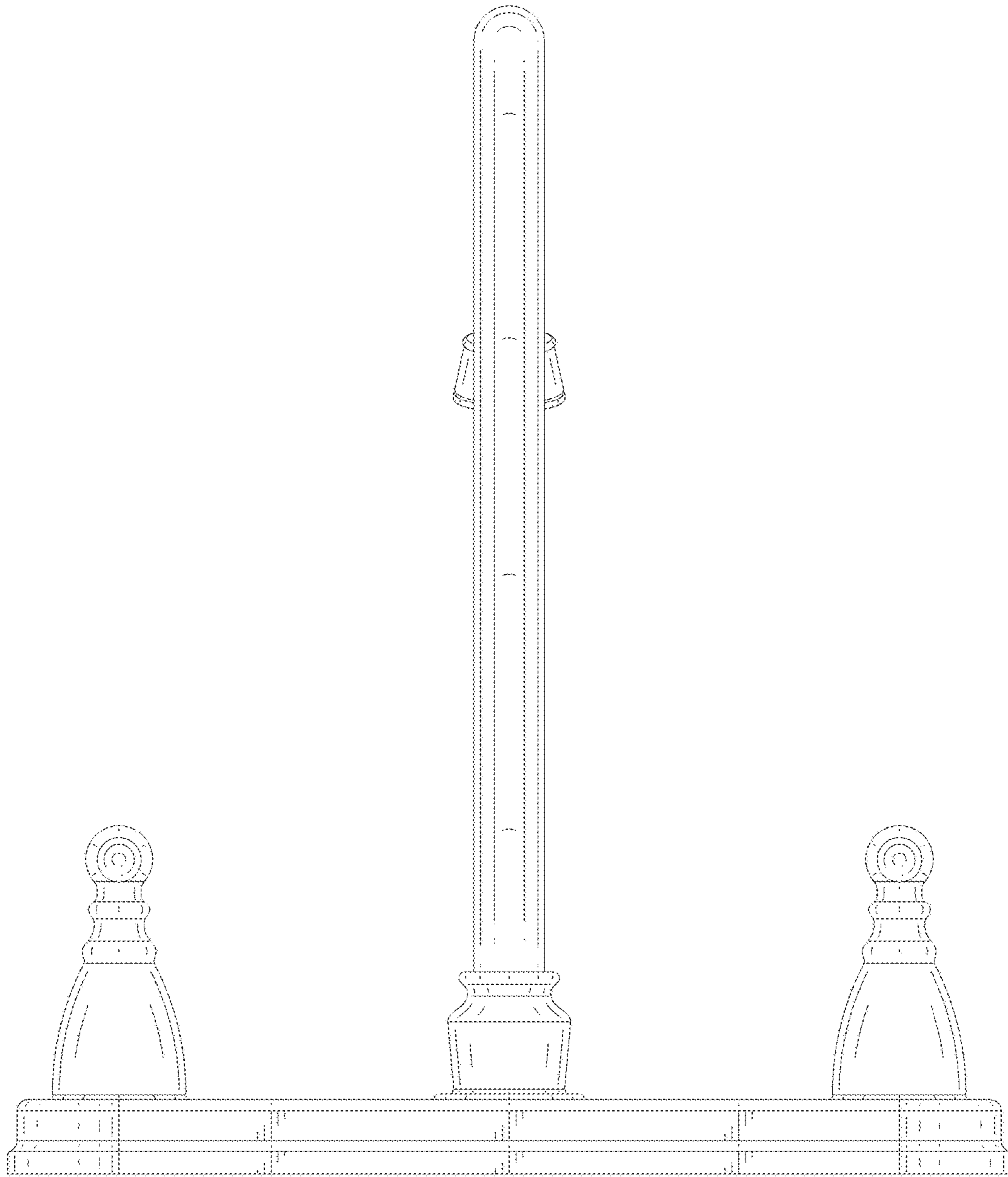


FIG.3

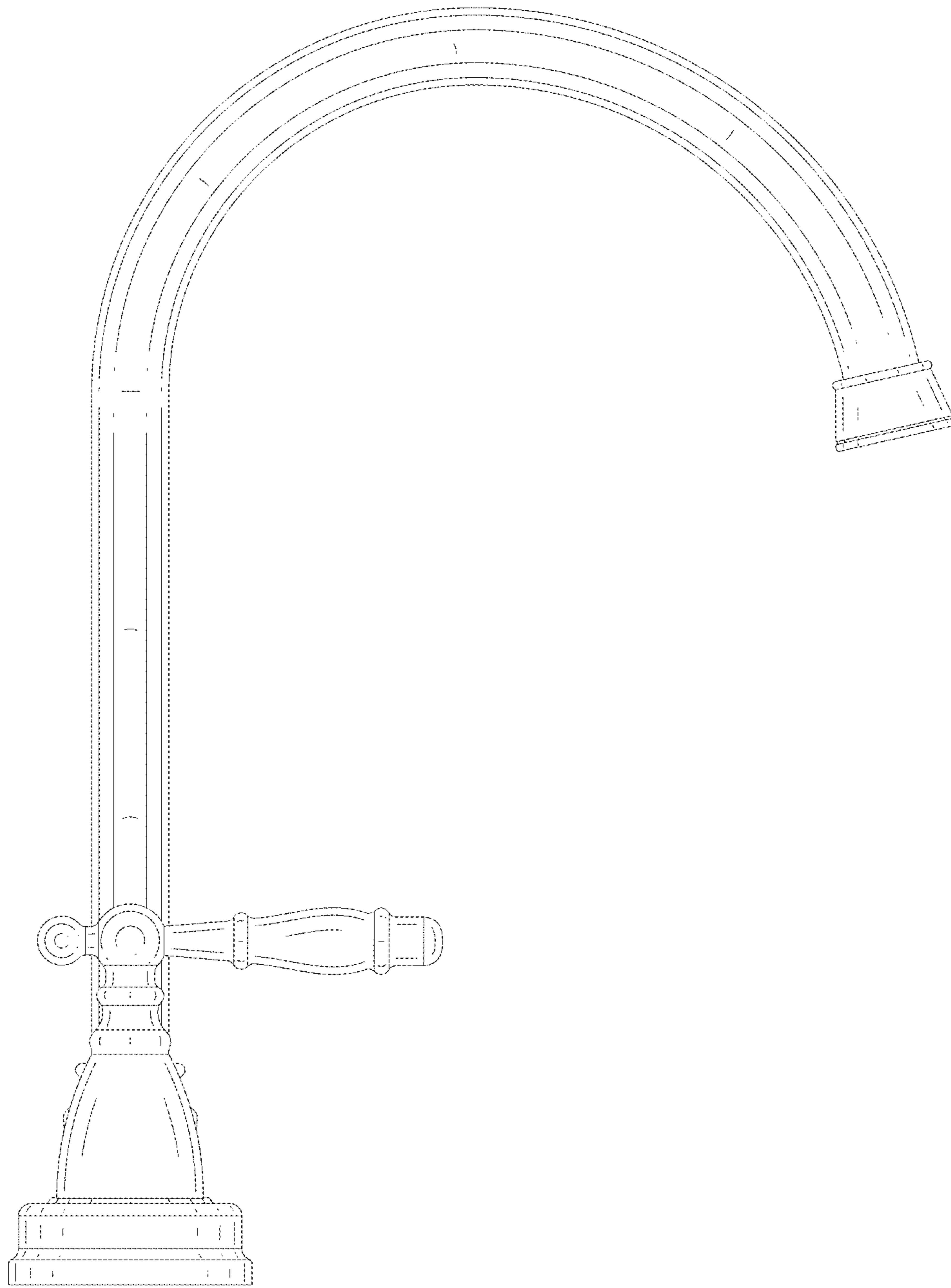


FIG.4

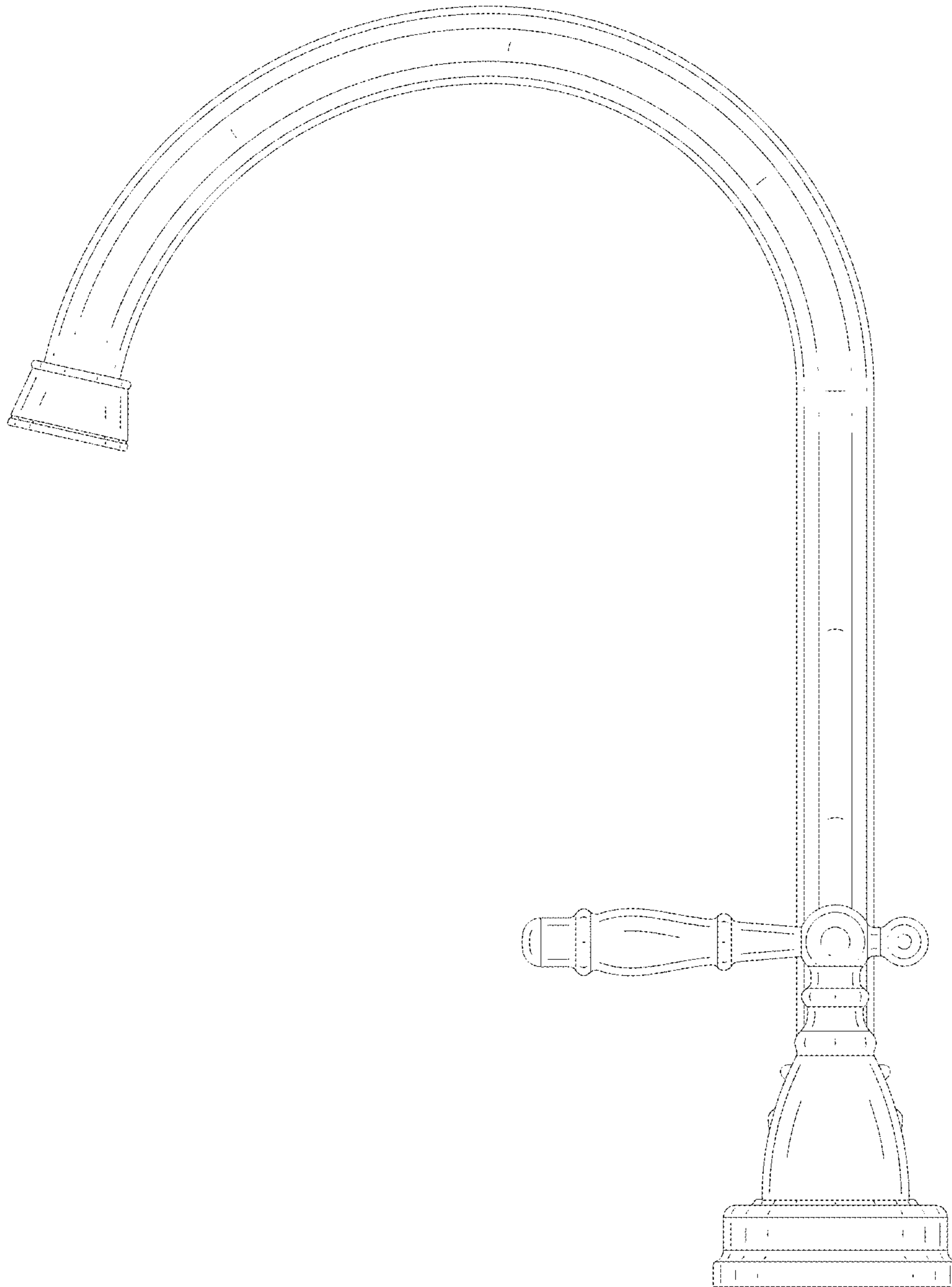


FIG.5

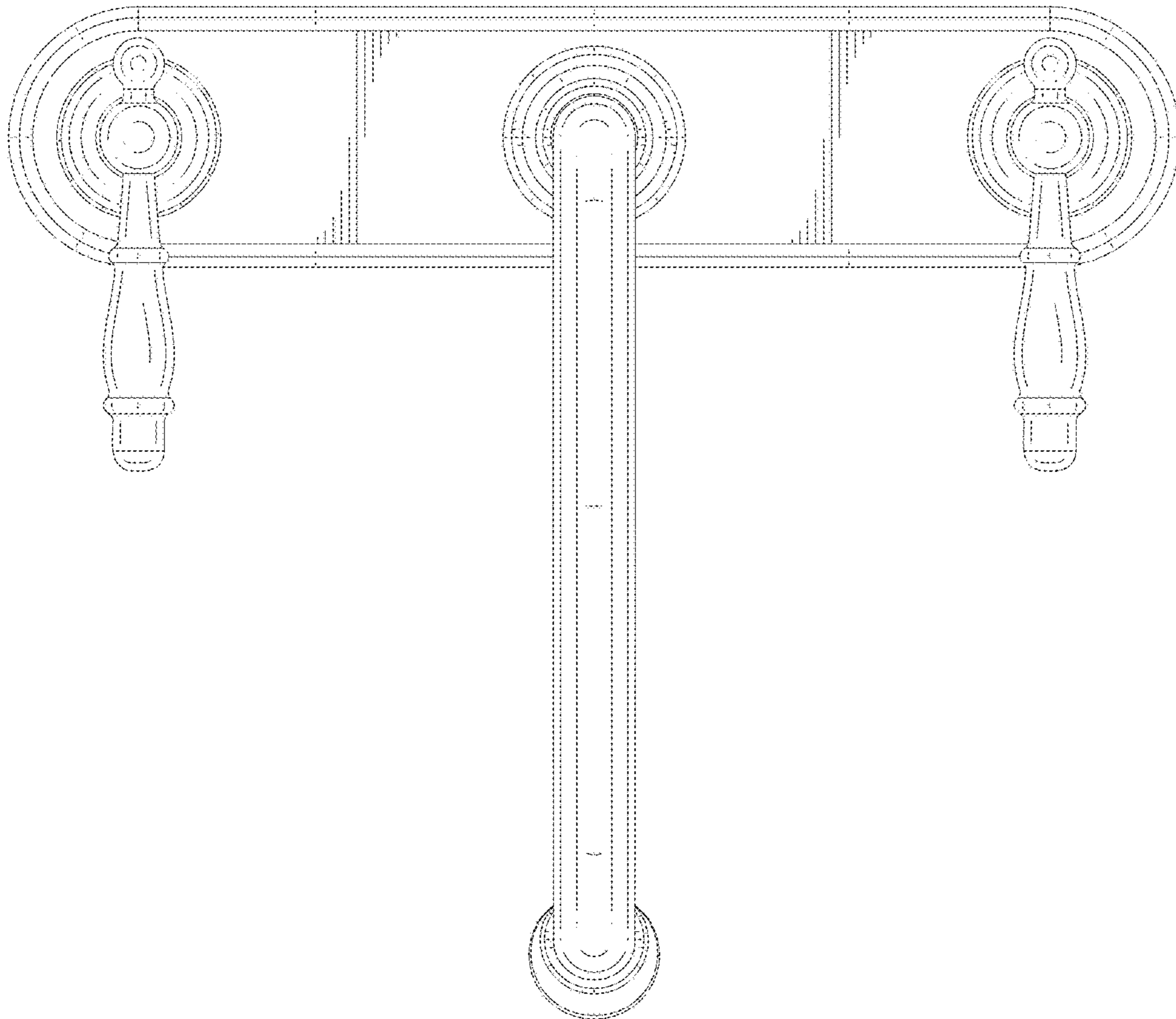


FIG.6

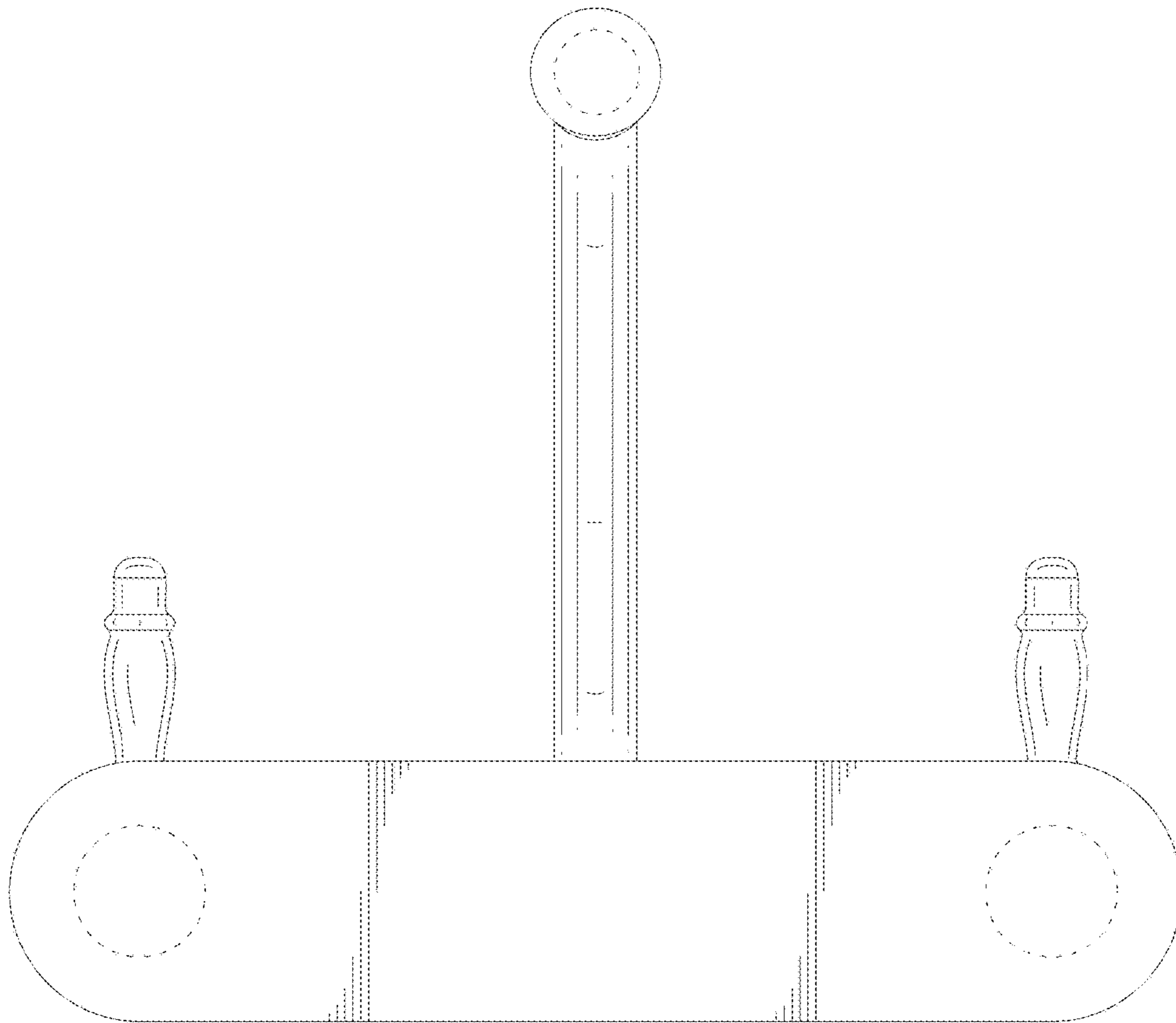


FIG. 7