

US00D820408S

(12) **United States Design Patent** (10) **Patent No.:** **US D820,408 S**
Murray et al. (45) **Date of Patent:** **** *Jun. 12, 2018**

(54) **LAVATORY FIXTURE WITH INTEGRATED FAUCET**

E03C 1/0404; F16K 31/602; F16K 31/605; F16K 31/607

See application file for complete search history.

(71) Applicant: **Bradley Fixtures Corporation,**
Menomonee Falls, WI (US)

(56) **References Cited**

U.S. PATENT DOCUMENTS

(72) Inventors: **Chris Murray,** Chicago, IL (US);
Trevis Kurz, Chicago, IL (US);
Cassandra Anne Schneider,
Oconomowoc, WI (US); **William L. Haas,** S;omger, WI (US)

D224,402 S *	7/1972	Jenner	D23/241
D296,233 S *	6/1988	Enthoven	D23/241
D315,398 S *	3/1991	Strignano	D23/241
D318,320 S *	7/1991	Zerlia	D23/241
D663,016 S *	7/2012	Figurski	D23/271
D686,369 S *	7/2013	Horvath	D28/54.1
D708,711 S *	7/2014	Yu	D23/238

* cited by examiner

(73) Assignee: **Bradley Fixtures Corporation,**
Menomonee Falls, WI (US)

Primary Examiner — Robert A Delehanty

(74) *Attorney, Agent, or Firm* — Boyle Fredrickson, S.C.

(*) Notice: This patent is subject to a terminal disclaimer.

(57) **CLAIM**

The ornamental design for a lavatory fixture with integrated faucet, soap dispenser, and hand dryer, substantially, as shown and described.

(**) Term: **15 Years**

DESCRIPTION

(21) Appl. No.: **29/602,479**

(22) Filed: **May 1, 2017**

Related U.S. Application Data

(63) Continuation of application No. 29/576,900, filed on Sep. 8, 2016, now Pat. No. Des. 785,760, which is a continuation of application No. 29/528,444, filed on May 28, 2015, now Pat. No. Des. 768,824.

(51) **LOC (11) Cl.** **23-01**

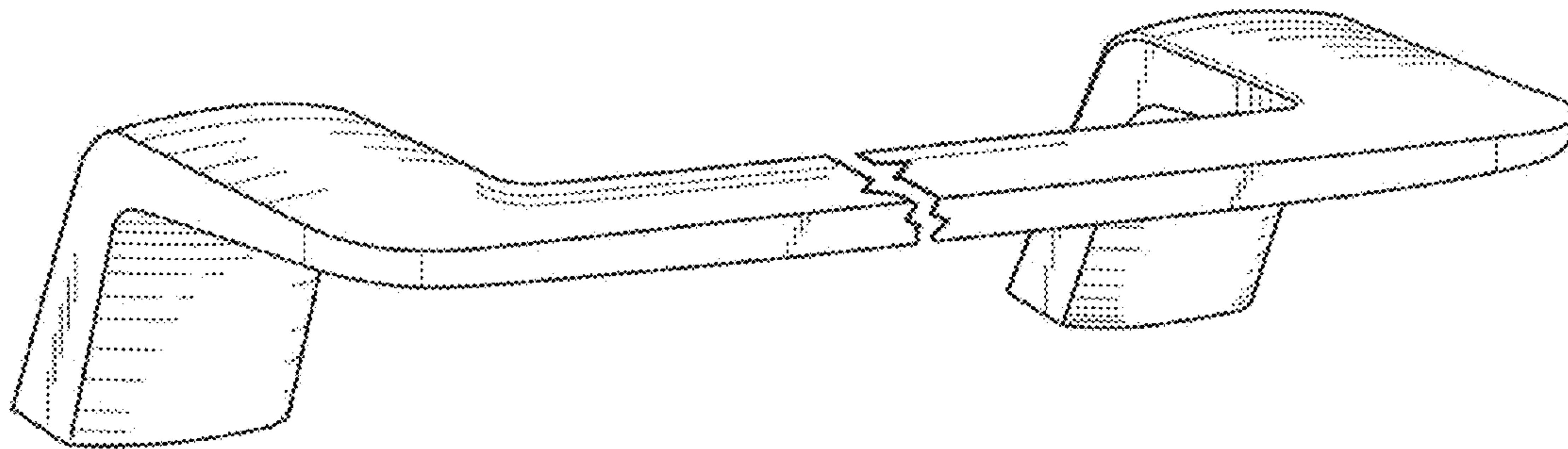
(52) **U.S. Cl.**
USPC **D23/240**

(58) **Field of Classification Search**
USPC D23/238–243, 249–250, 252, 255, 257;
D6/542, 544; D28/54.1, 58
CPC E03C 1/04; E03C 1/0401; E03C 1/0402;

FIG. 1 is a raised perspective view of an embodiment of a lavatory fixture;
FIG. 2 is a front view of the lavatory fixture of the embodiment as shown in FIG. 1;
FIG. 3 is a rear view of the lavatory fixture of the embodiment as shown in FIG. 1;
FIG. 4 is a right-side view of the lavatory fixture of the embodiment as shown in FIG. 1;
FIG. 5 is a left-side view of the lavatory fixture of the embodiment as shown in FIG. 1;
FIG. 6 is a top view of the lavatory fixture of the embodiment as shown in FIG. 1;
FIG. 7 is a bottom view of the lavatory fixture of the embodiment as shown in FIG. 1; and,
FIG. 8 is a side perspective view of the lavatory fixture as shown in FIG. 1.

Any broken lines represent environmental structure and form no part of the claimed design. Further, the broken away

(Continued)



lines shown in the figures represent a boundary of the claimed design and the portion between the broken away lines is not claimed.

1 Claim, 8 Drawing Sheets

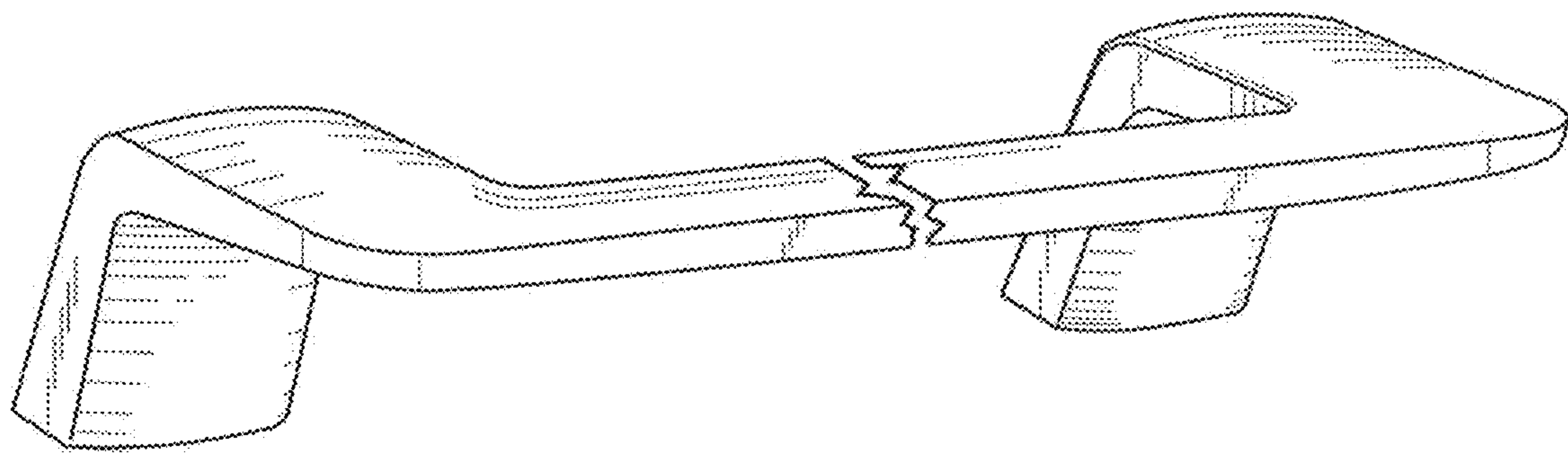


FIG. 1

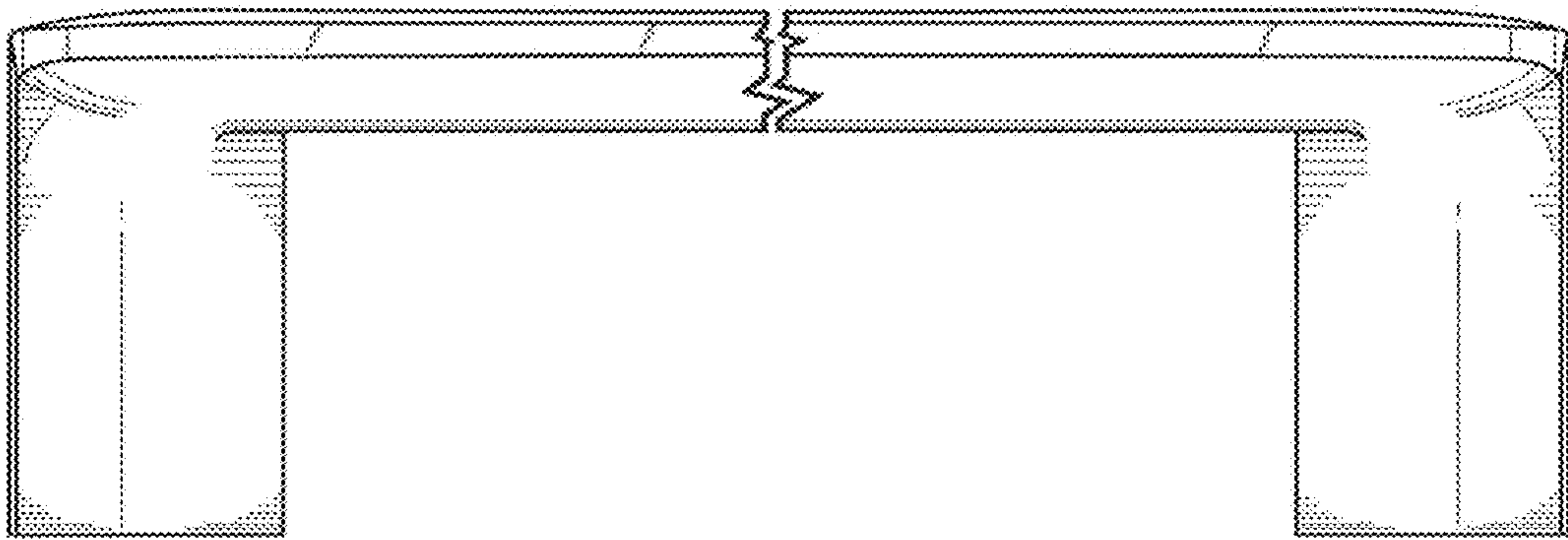


FIG. 2

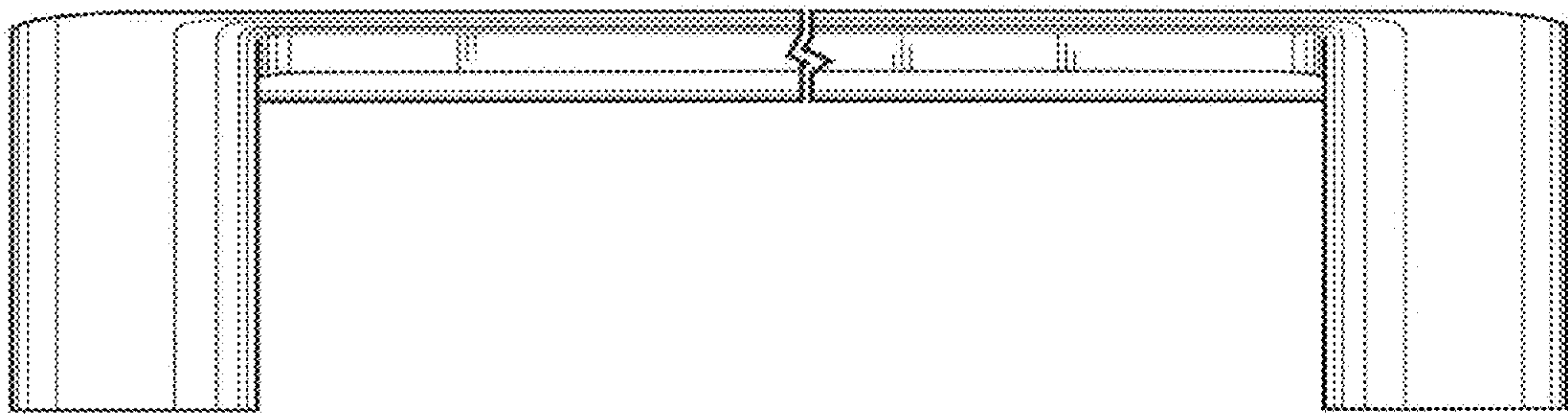


FIG. 3

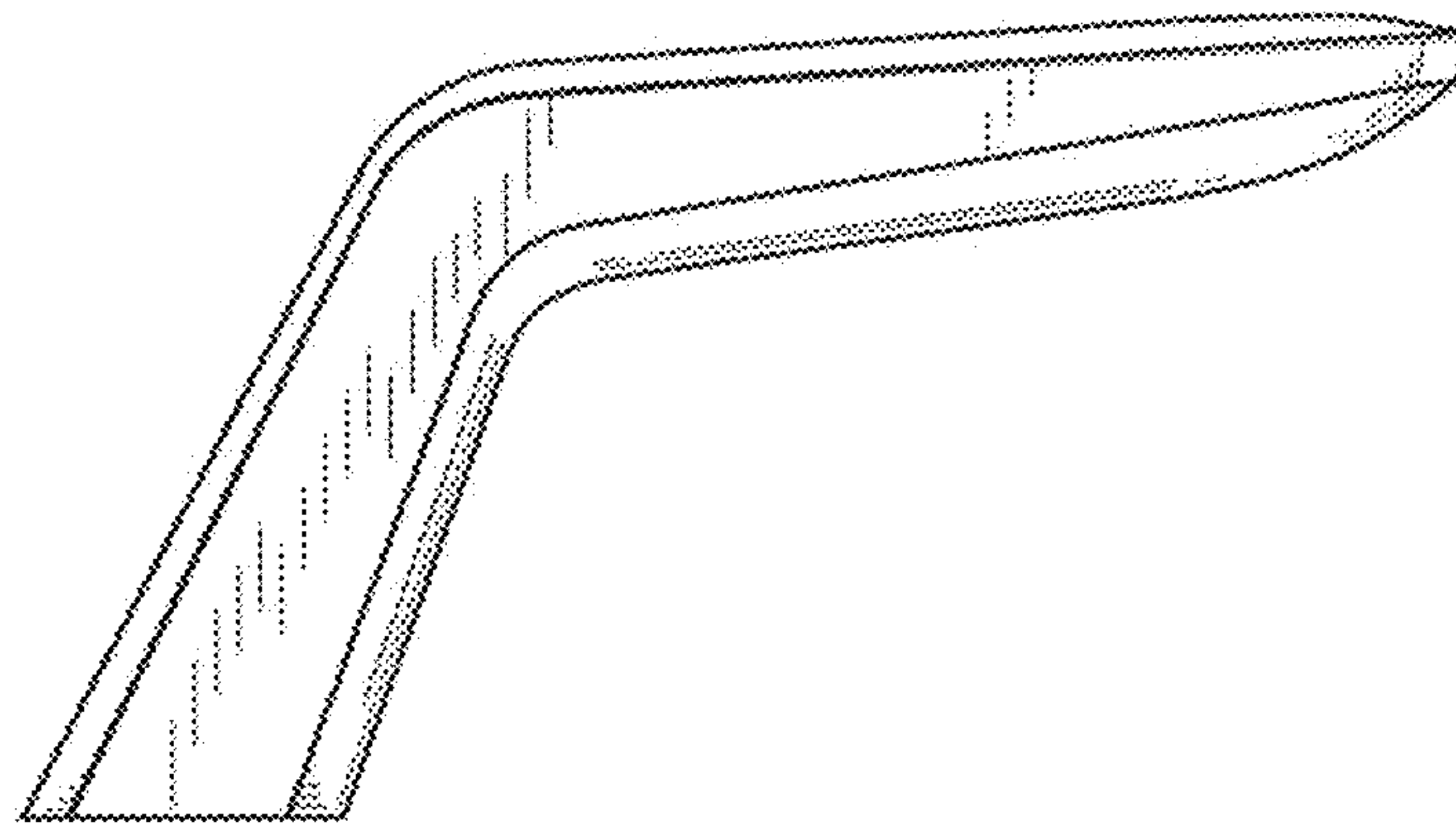


FIG. 4

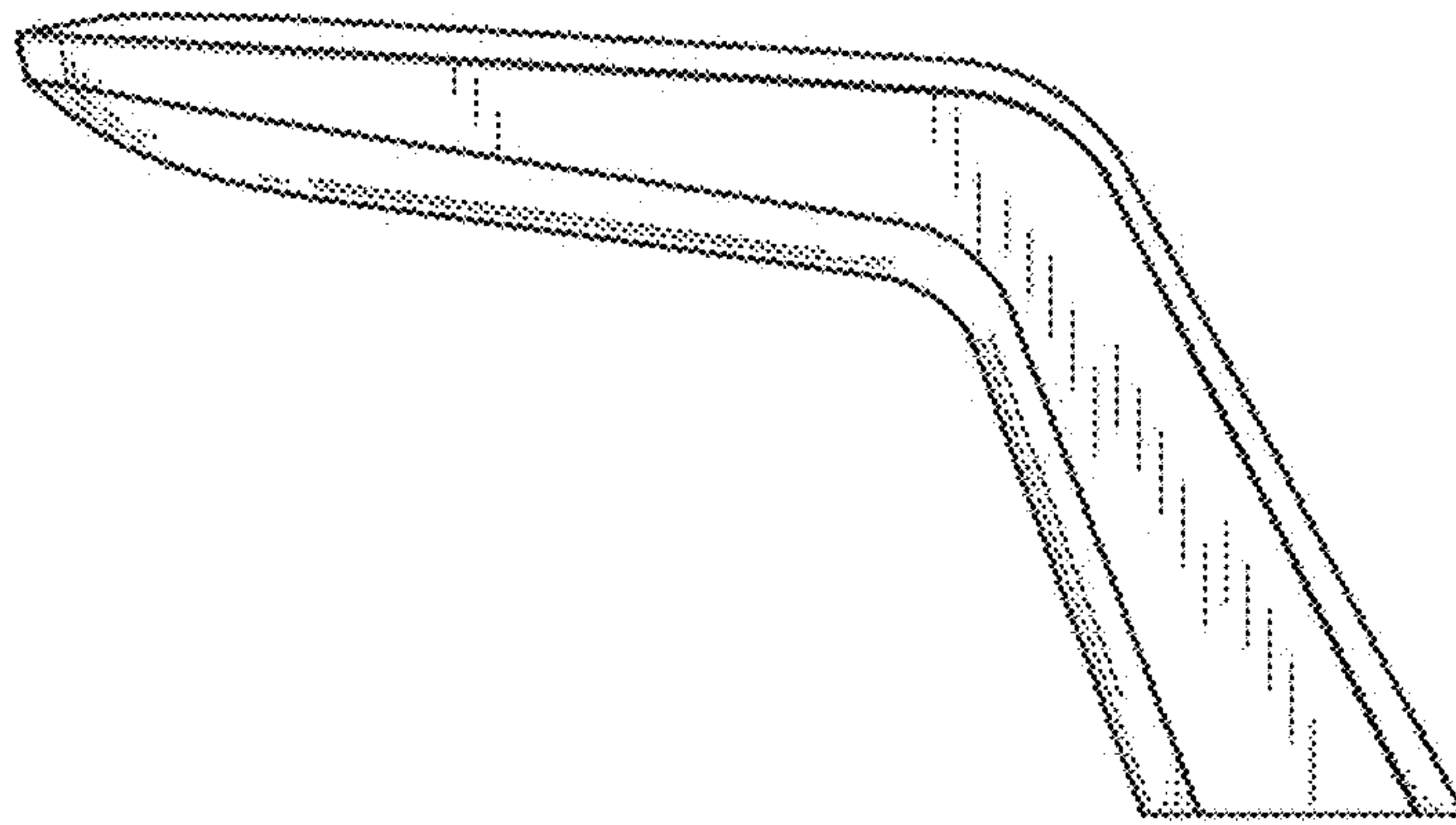


FIG. 5

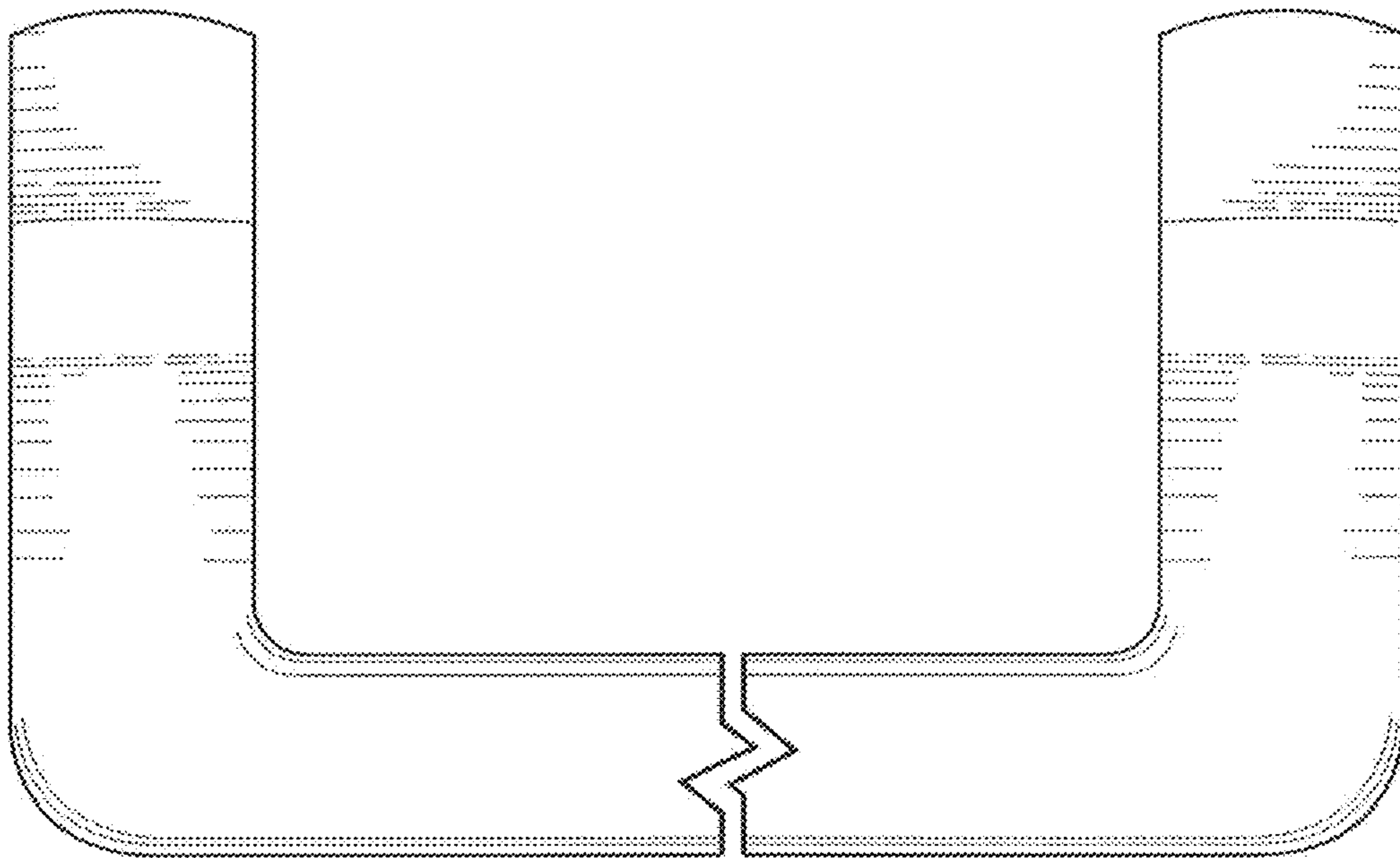


FIG. 6

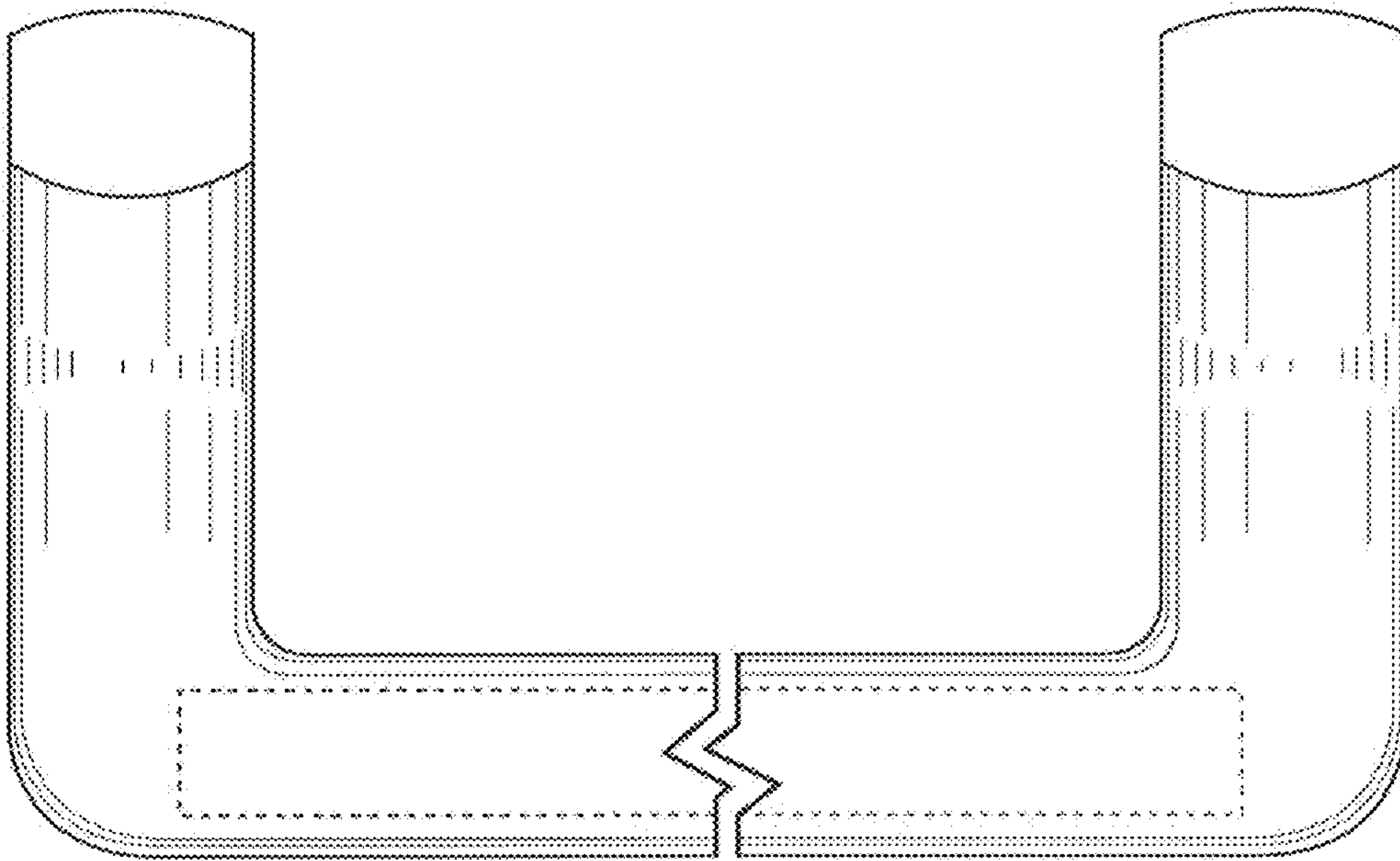


FIG. 7

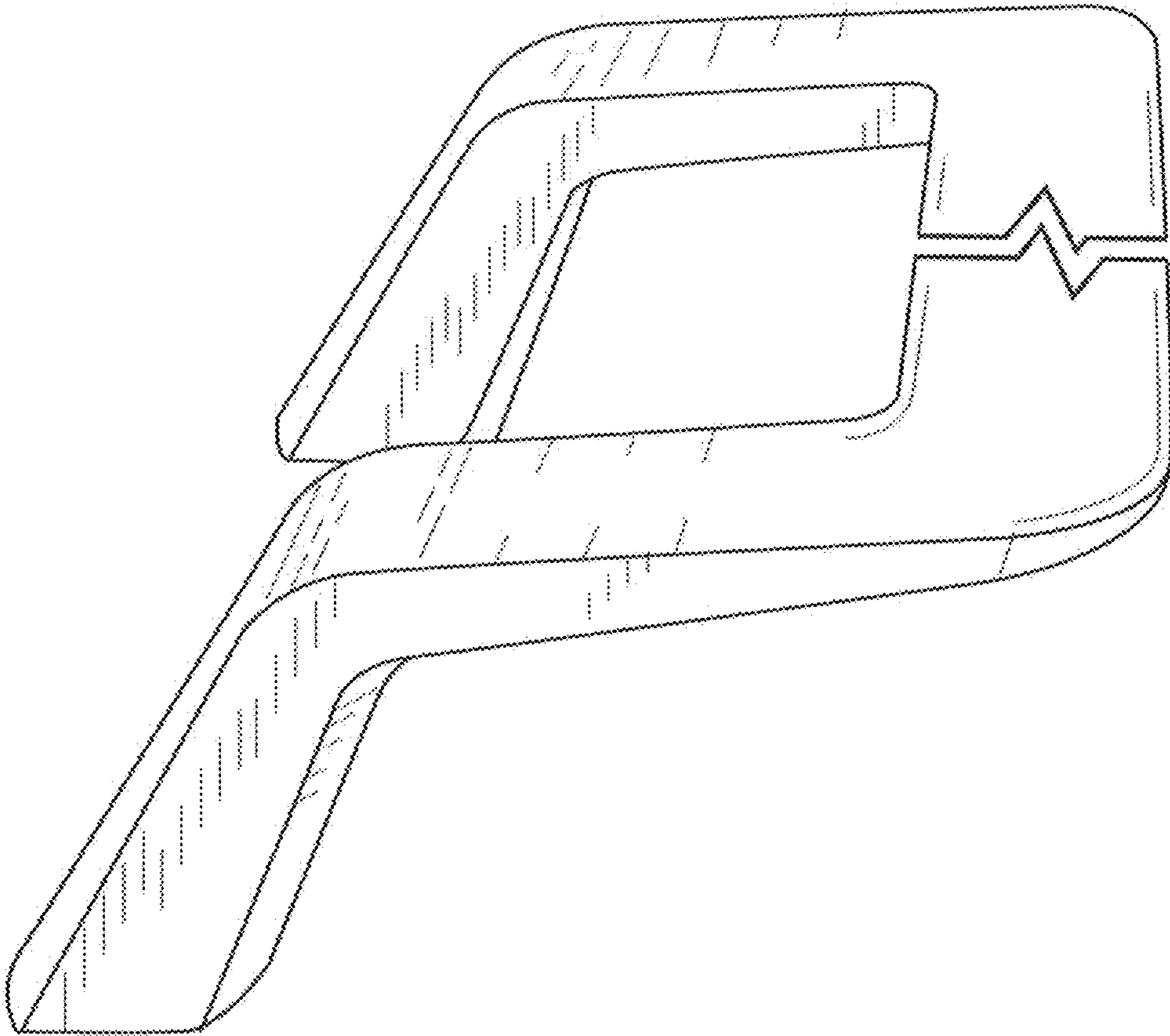


FIG. 8