



US00D820406S

(12) **United States Design Patent**  
**Wieser et al.**

(10) **Patent No.:** **US D820,406 S**  
(45) **Date of Patent:** **\*\* Jun. 12, 2018**

(54) **LAVATORY FIXTURE WITH INTEGRATED FAUCET, SOAP DISPENSER, AND HAND DRYER**

D353,651 S \* 12/1994 Formgren ..... D23/241  
D686,369 S \* 7/2013 Horvath ..... D28/54.1  
D708,711 S \* 7/2014 Yu ..... D23/238  
D708,716 S \* 7/2014 Ryu ..... D23/241  
D768,824 S 10/2016 Murray et al.  
D785,760 S 5/2017 Murray et al.  
D785,761 S 5/2017 Murray et al.

(71) Applicant: **Bradley Fixtures Corporation**,  
Menomonee Falls, WI (US)

(72) Inventors: **Matthias Wieser**, Wendlingen (DE);  
**Pablo Bernal Ruesta**, Stuttgart (DE);  
**Alexander Hoffart**, Bindlach (DE);  
**Andreas Dimitriadis**, Lorch (DE);  
**Cassandra Anne Schneider**,  
Oconomowoc, WI (US); **William L. Haas**,  
Richfield, WI (US)

(73) Assignee: **Bradley Fixtures Corporation**,  
Menomonee Falls, WI (US)

(\*\*) Term: **15 Years**

(21) Appl. No.: **29/625,105**

(22) Filed: **Nov. 7, 2017**

**Related U.S. Application Data**

(62) Division of application No. 29/572,721, filed on Jul. 29, 2016, now Pat. No. Des. 811,535.

(51) **LOC (11) Cl.** ..... **23-01**

(52) **U.S. Cl.**  
USPC ..... **D23/239**

(58) **Field of Classification Search**  
USPC ..... D23/238–243, 249, 255–257;  
D6/542–545; D28/54.1  
CPC .. Y10T 137/9464; A47K 5/1217; A47K 10/48  
See application file for complete search history.

(56) **References Cited**

**U.S. PATENT DOCUMENTS**

D315,398 S \* 3/1991 Strignano ..... D23/241  
D335,919 S \* 5/1993 O’Connell ..... D23/255

**OTHER PUBLICATIONS**

Wieser, U.S. Appl. No. 29/607,773.

(Continued)

*Primary Examiner* — Robert A Delehanty

(74) *Attorney, Agent, or Firm* — Boyle Fredrickson, S.C.

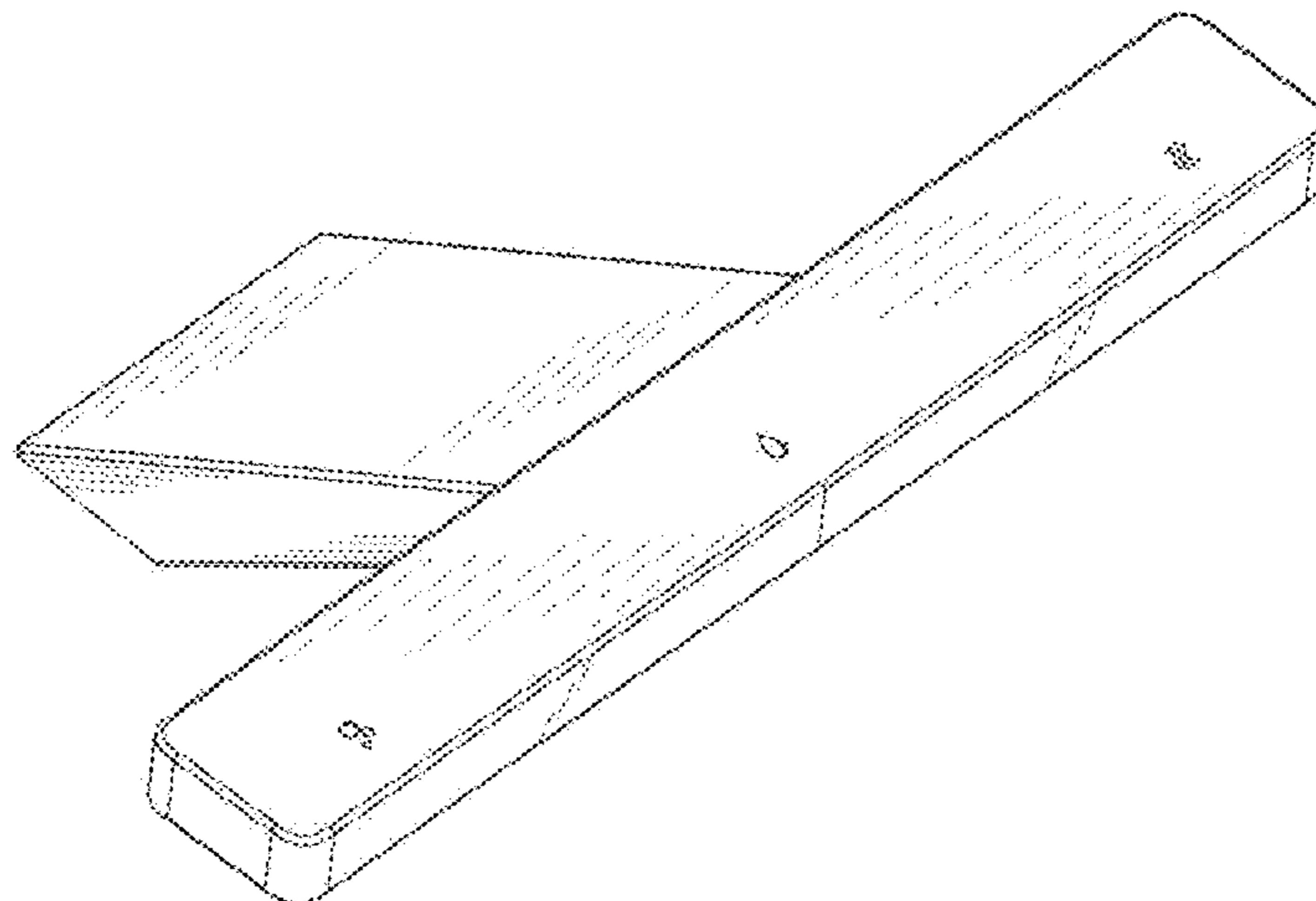
(57) **CLAIM**

The ornamental design for a lavatory fixture with integrated faucet, soap dispenser, and hand dryer, substantially, as shown and described.

**DESCRIPTION**

FIG. 1 is a raised perspective view of a lavatory fixture with a faucet, soap dispenser, and hand dryer all-in-one, according to an embodiment of the invention;  
FIG. 2 is a front perspective view of the lavatory fixture of FIG. 1;  
FIG. 3 is a left side view of the lavatory fixture of FIG. 1;  
FIG. 4 is a right side view of the lavatory fixture of FIG. 1;  
FIG. 5 is a front view of the lavatory fixture of FIG. 1;  
FIG. 6 is a rear view of the lavatory fixture of FIG. 1;  
FIG. 7 is a top view of the lavatory fixture of FIG. 1; and,  
FIG. 8 is a bottom view of the lavatory fixture of FIG. 1.  
Any broken lines represent environmental structure and form no part of the claimed design.

**1 Claim, 5 Drawing Sheets**



(56)

**References Cited**

OTHER PUBLICATIONS

Wieser, U.S. Appl. No. 29/627,896.  
Wieser, U.S. Appl. No. 29/608,019.  
Wieser, U.S. Appl. No. 29/608,022.  
Wieser, U.S. Appl. No. 29/608,025.  
Wieser, U.S. Appl. No. 29/608,028.  
Murray, U.S. Appl. No. 29/559,402.  
Murray, U.S. Appl. No. 29/616,994.  
Murray, U.S. Appl. No. 29/616,996.  
Murray, U.S. Appl. No. 29/616,999.  
Kluck, U.S. Appl. No. 29/607,055.

\* cited by examiner

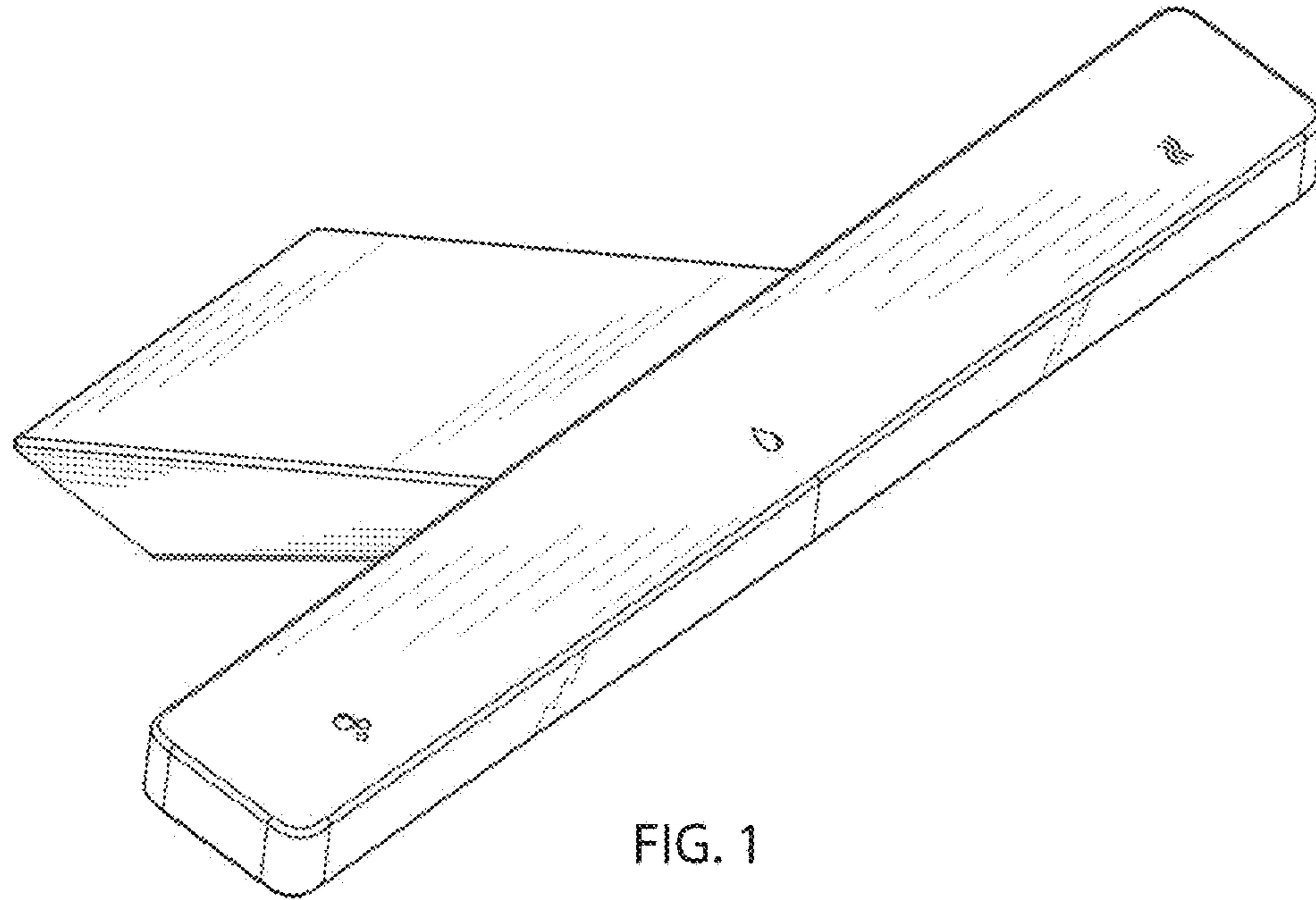


FIG. 1

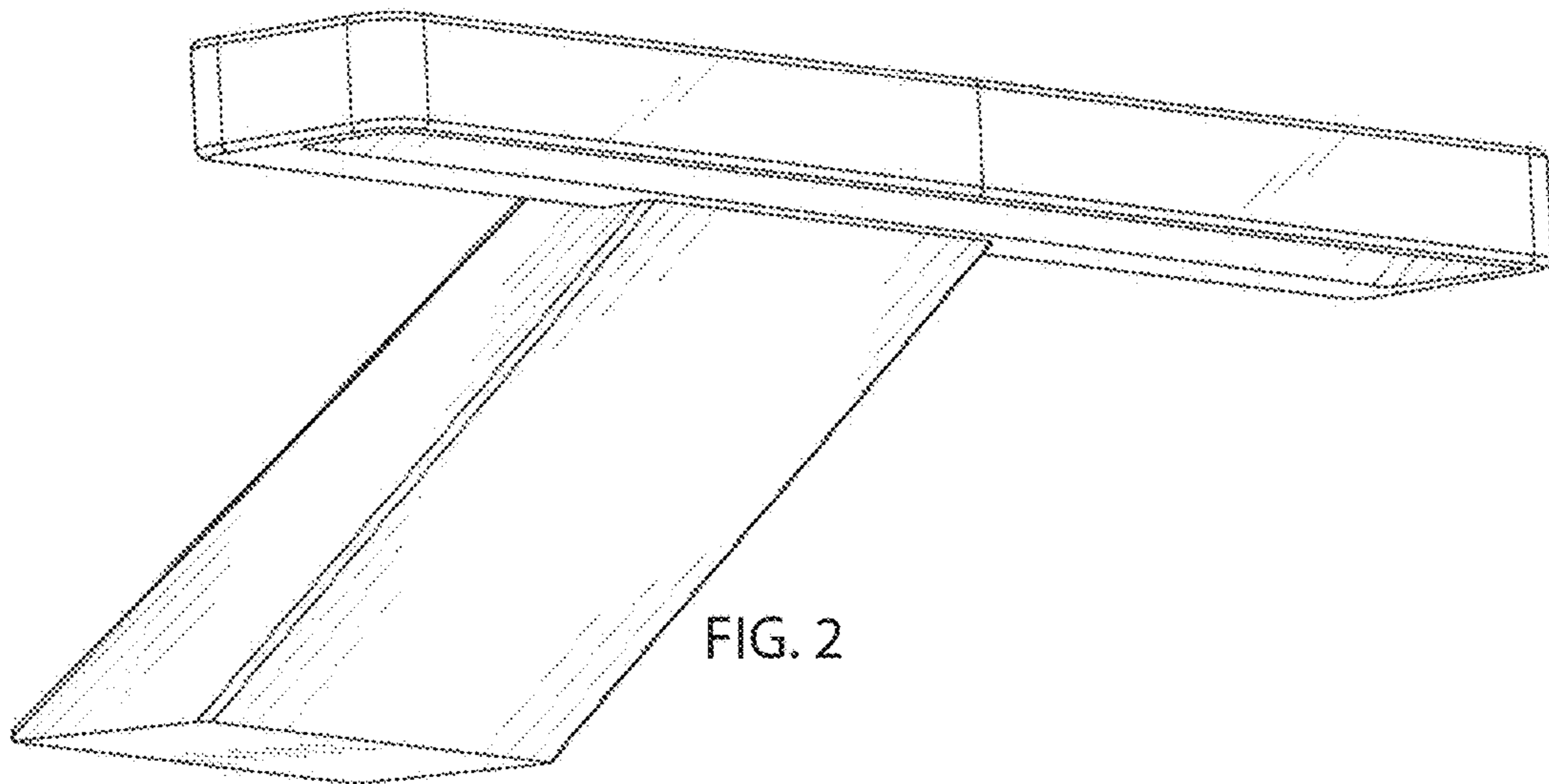


FIG. 2

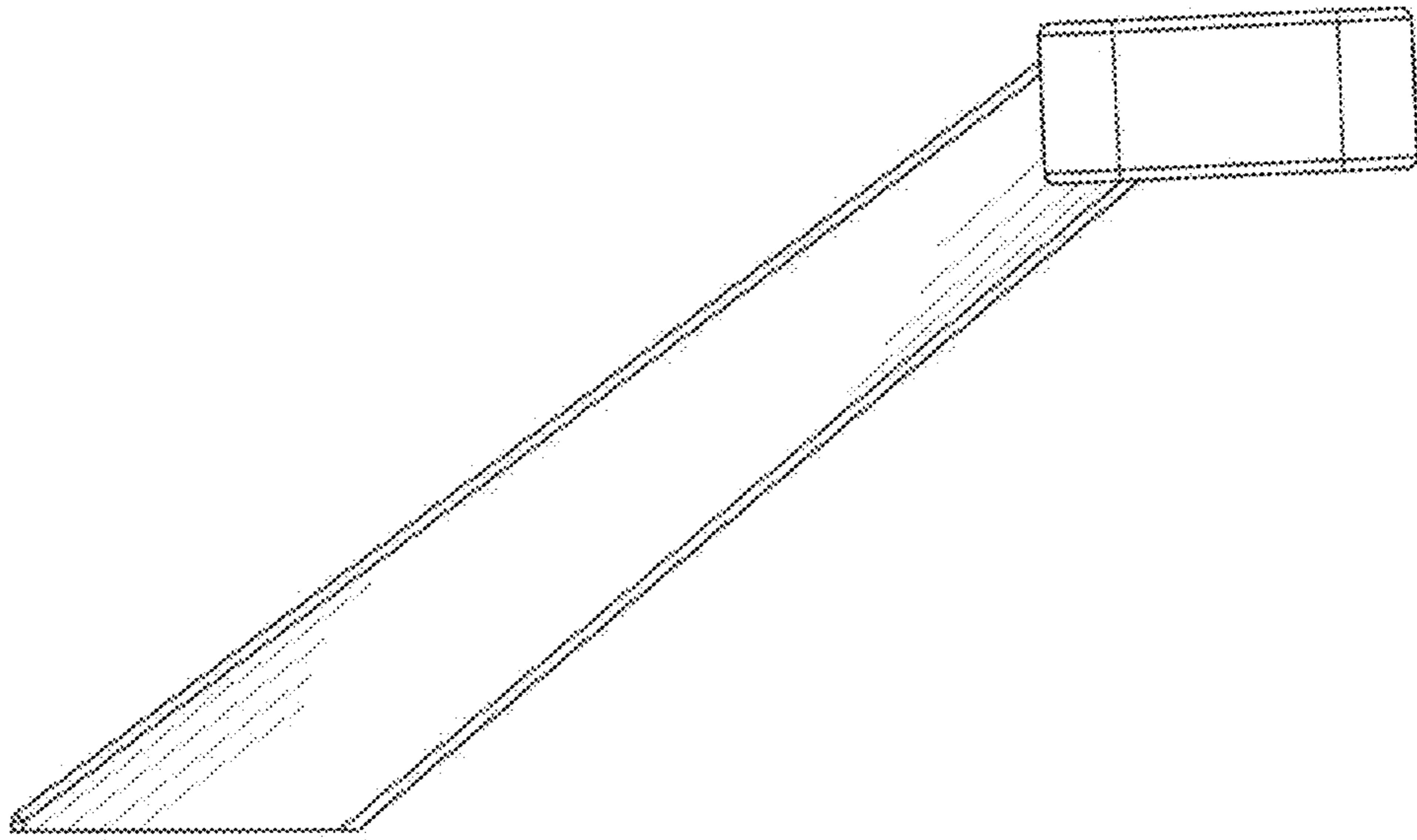


FIG. 3

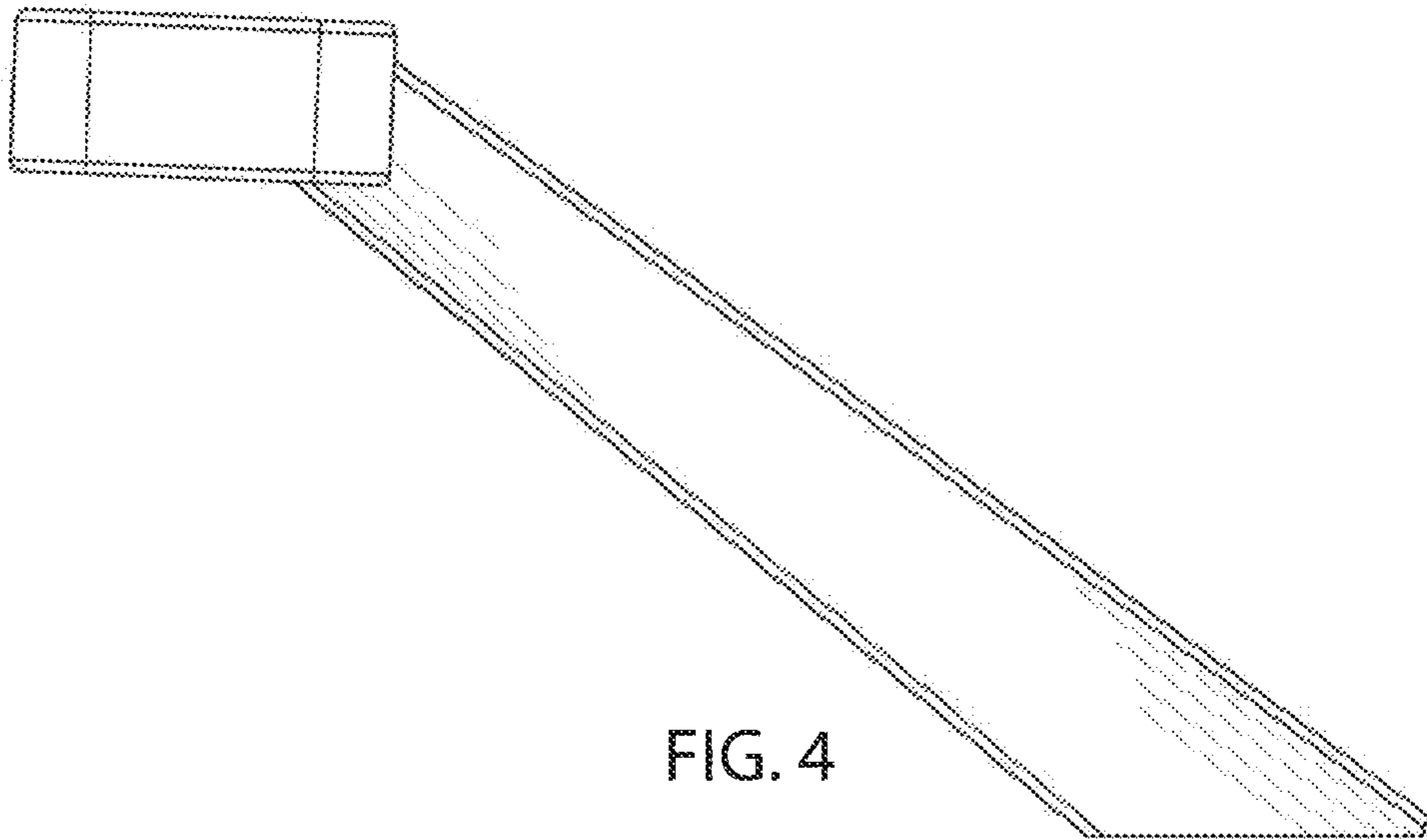
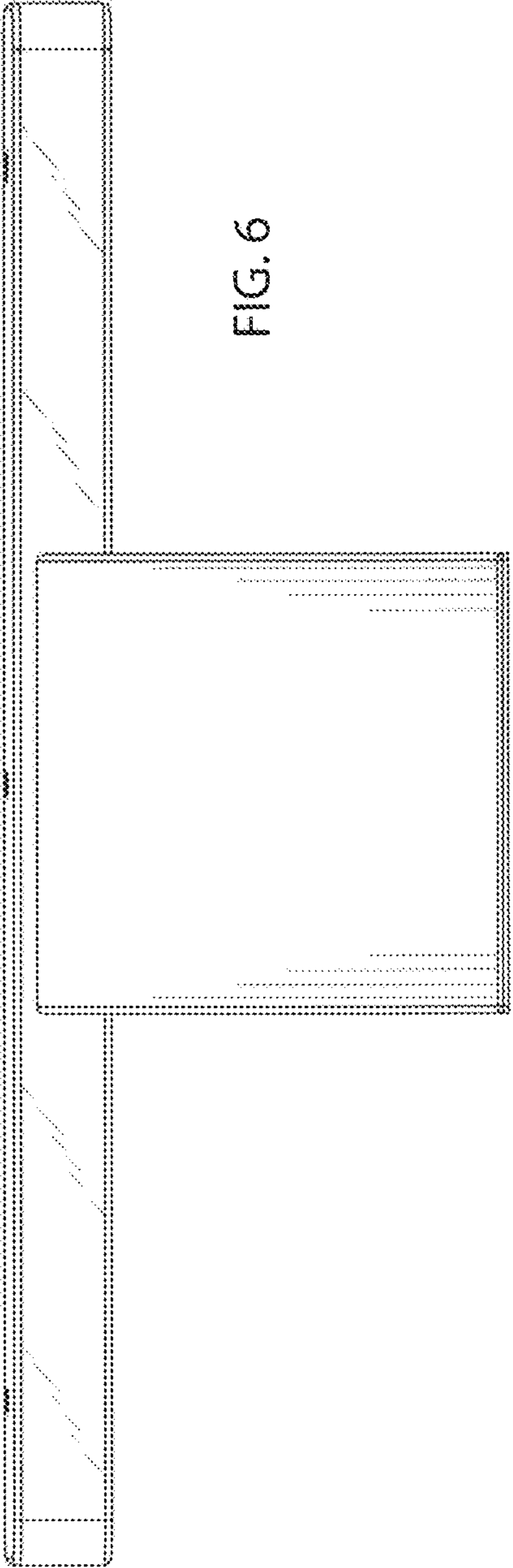
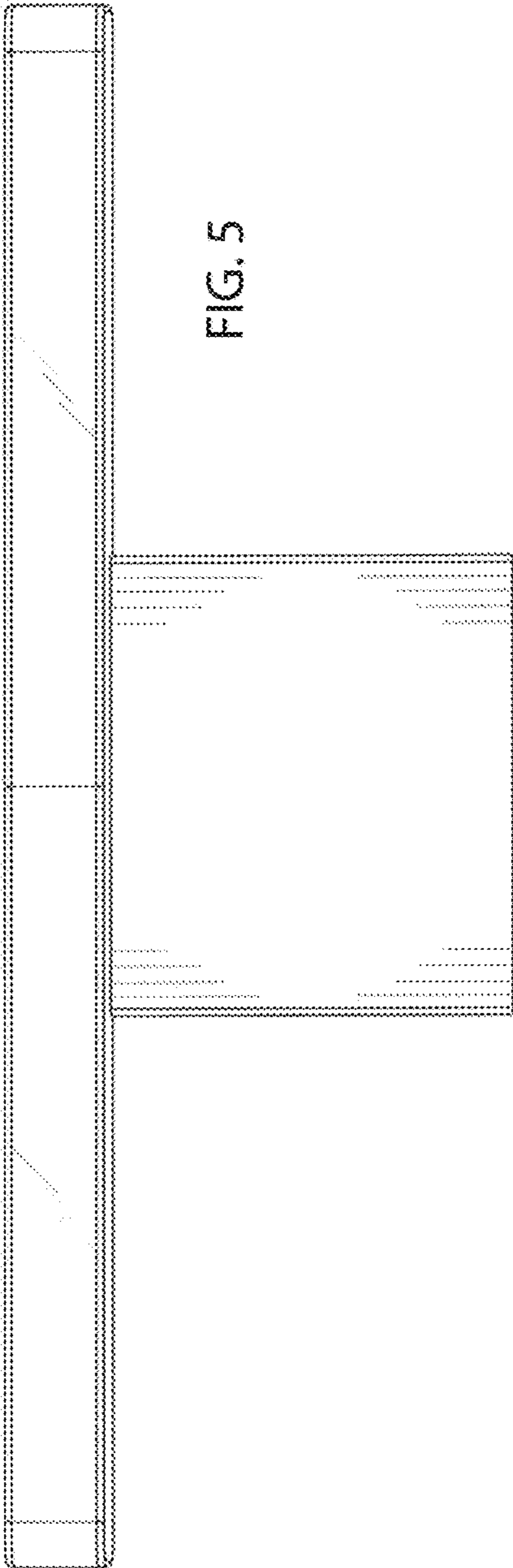


FIG. 4



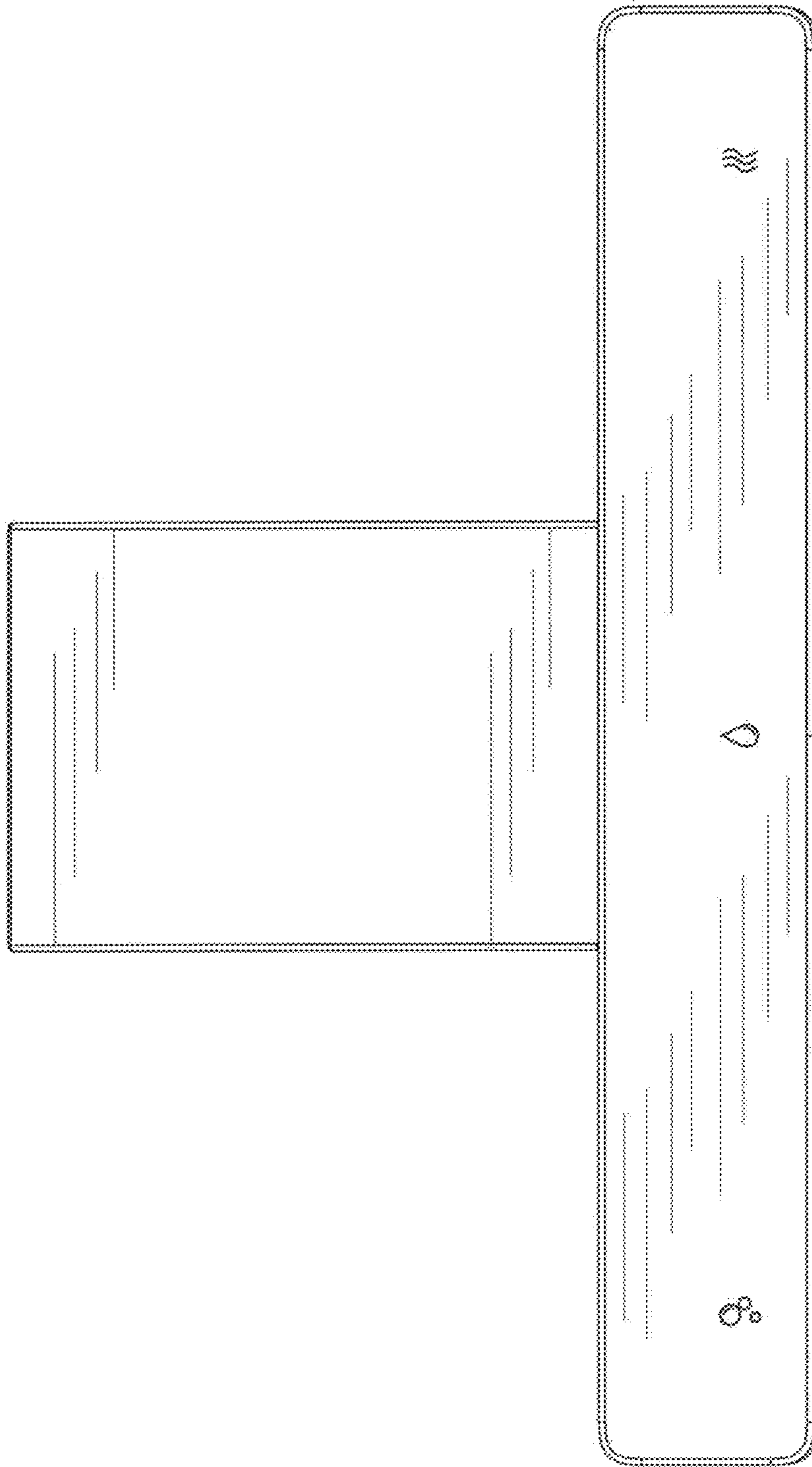


FIG. 7

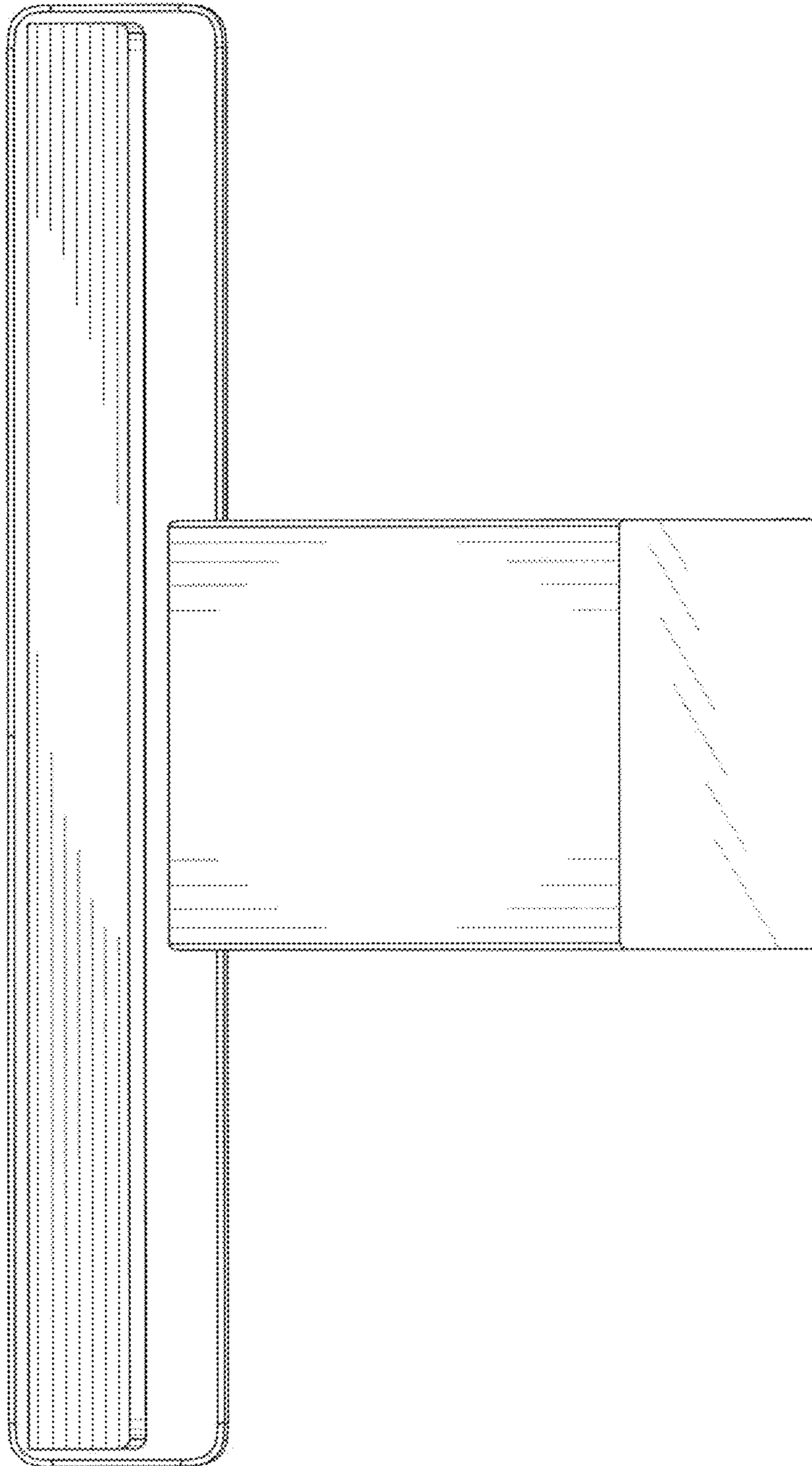


FIG. 8