



US00D820405S

(12) **United States Design Patent**
Wieser et al.

(10) **Patent No.:** **US D820,405 S**
(45) **Date of Patent:** **** Jun. 12, 2018**

(54) **LAVATORY FIXTURE WITH INTEGRATED FAUCET, SOAP DISPENSER, AND HAND DRYER**

D353,651 S * 12/1994 Formgren D23/241
D686,369 S * 7/2013 Horvath D28/54.1
D708,711 S * 7/2014 Yu D23/238
D708,716 S * 7/2014 Ryu D23/241
D768,824 S 10/2016 Murray et al.
D785,760 S 5/2017 Murray et al.
D785,761 S 5/2017 Luk

(71) Applicant: **Bradley Fixtures Corporation**,
Menomonee Falls, WI (US)

(72) Inventors: **Matthias Wieser**, Wendlingen (DE);
Pablo Bernal Ruesta, Stuttgart (DE);
Alexander Hoffart, Bindlach (DE);
Andreas Dimitriadis, Lorch (DE);
Cassandra Anne Schneider,
Oconomowoc, WI (US); **William L. Haas**,
Richfield, WI (US)

(73) Assignee: **Bradley Fixtures Corporation**,
Menomonee Falls, WI (US)

(**) Term: **15 Years**

(21) Appl. No.: **29/625,104**

(22) Filed: **Nov. 7, 2017**

Related U.S. Application Data

(62) Division of application No. 29/572,721, filed on Jul. 29, 2016, now Pat. No. Des. 811,535.

(51) **LOC (11) Cl.** **23-01**

(52) **U.S. Cl.**
USPC **D23/239**

(58) **Field of Classification Search**
USPC D23/238–243, 249, 255–257;
D6/542–545; D28/54.1
CPC .. A47K 5/1217; A47K 10/48; Y10T 137/9464
See application file for complete search history.

(56) **References Cited**

U.S. PATENT DOCUMENTS

D315,398 S * 3/1991 Strignano D23/241
D335,919 S * 5/1993 O’Connell D23/255

OTHER PUBLICATIONS

Wieser, U.S. Appl. No. 29/607,773.

(Continued)

Primary Examiner — Robert A Delehanty

(74) *Attorney, Agent, or Firm* — Boyle Fredrickson, S.C.

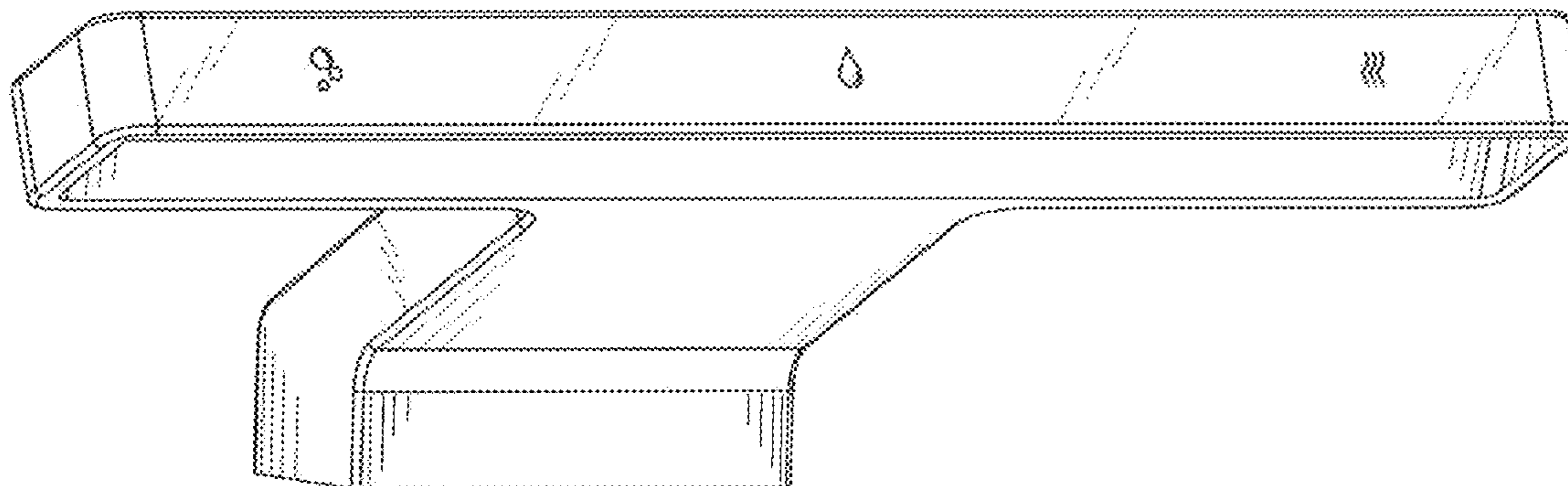
(57) **CLAIM**

The ornamental design for a lavatory fixture with integrated faucet, soap dispenser, and hand dryer, substantially, as shown and described.

DESCRIPTION

FIG. 1 is a front perspective view of a lavatory fixture with a faucet, soap dispenser, and hand dryer all-in-one, according to an embodiment of the invention; FIG. 2 is a raised perspective of the lavatory fixture of FIG. 1; FIG. 3 is a left side view of the lavatory fixture of FIG. 1; FIG. 4 is a right side view of the lavatory fixture of FIG. 1; FIG. 5 is a front view of the lavatory fixture of FIG. 1; FIG. 6 is a rear view of the lavatory fixture of FIG. 1; FIG. 7 is a top view of the lavatory fixture of FIG. 1; and, FIG. 8 is a bottom view of the lavatory fixture of FIG. 1. Any broken lines represent environmental structure and form no part of the claimed design.

1 Claim, 4 Drawing Sheets



(56)

References Cited

OTHER PUBLICATIONS

Wieser, U.S. Appl. No. 29/627,896.
Wieser, U.S. Appl. No. 29/608,019.
Wieser, U.S. Appl. No. 29/608,022.
Wieser, U.S. Appl. No. 29/608,025.
Wieser, U.S. Appl. No. 29/608,028.
Murray, U.S. Appl. No. 29/559,402.
Murray, U.S. Appl. No. 29/616,994.
Murray, U.S. Appl. No. 29/616,996.
Hurray, U.S. Appl. No. 29/616,999.
Kluck, U.S. Appl. No. 29/607,055.

* cited by examiner

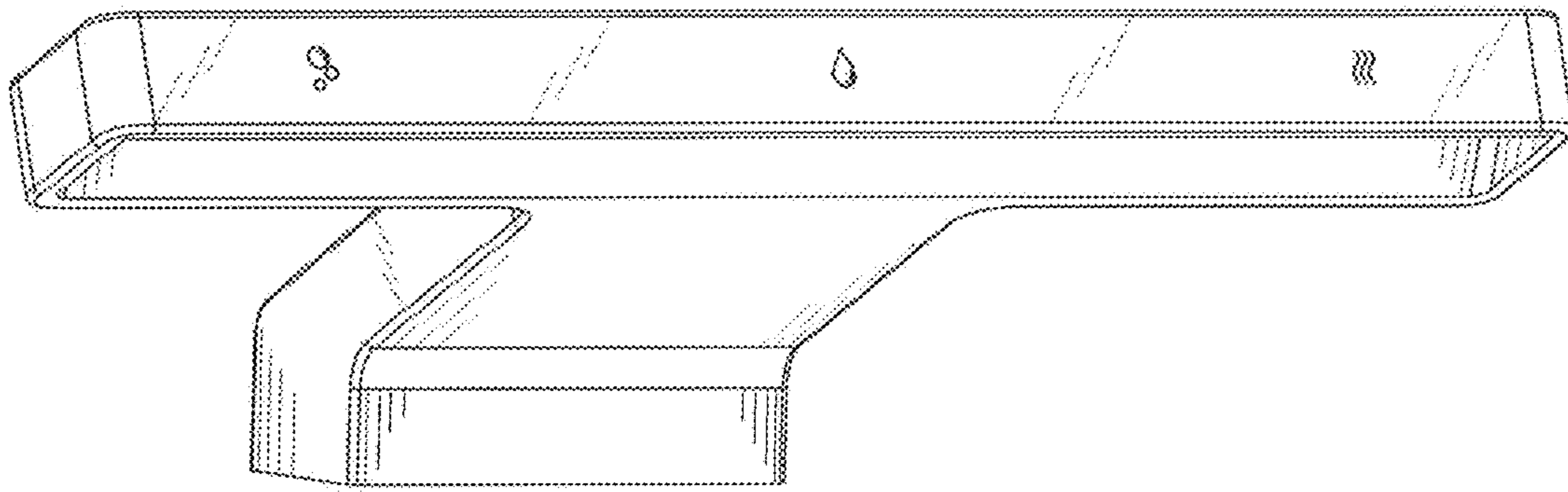


FIG. 1

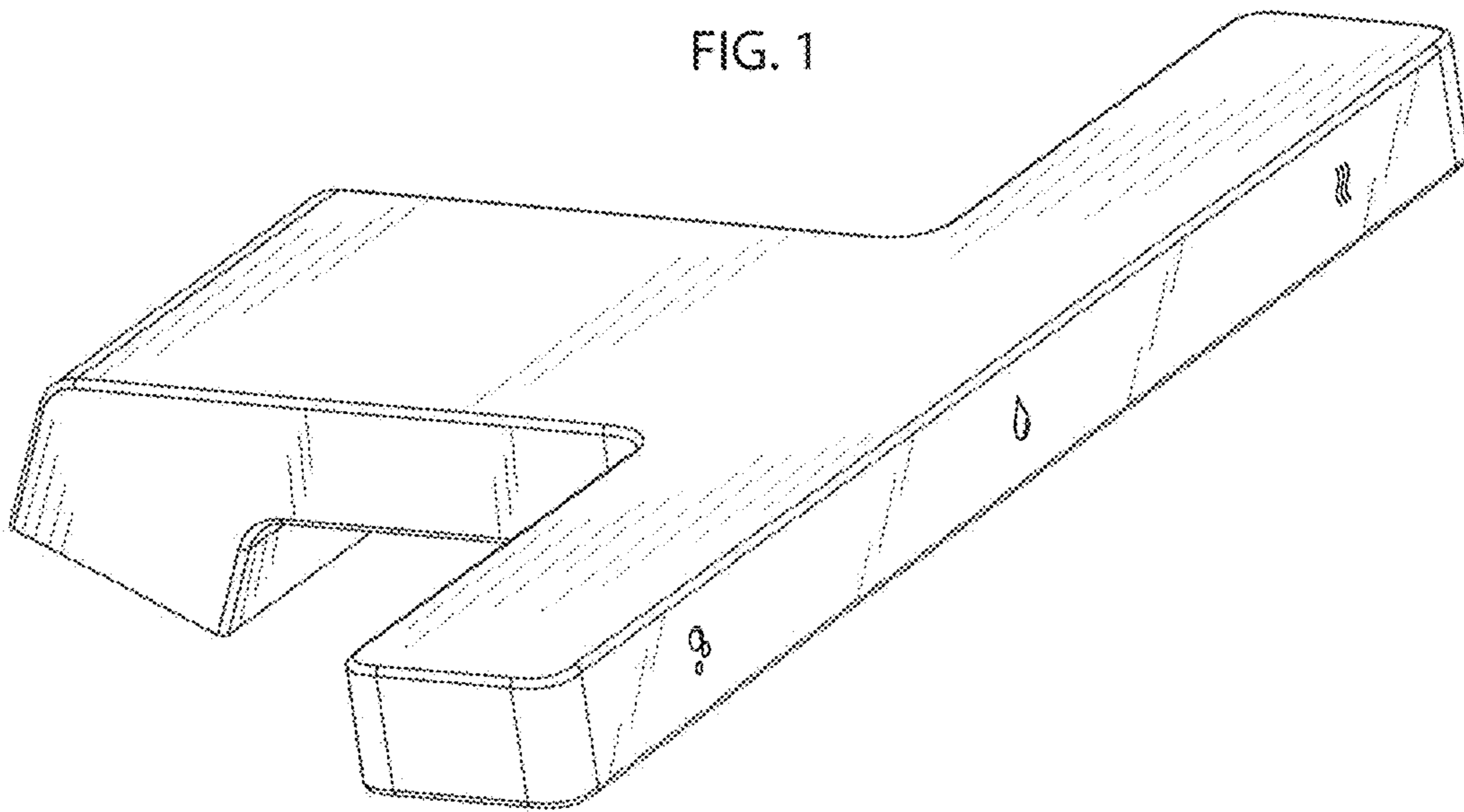


FIG. 2

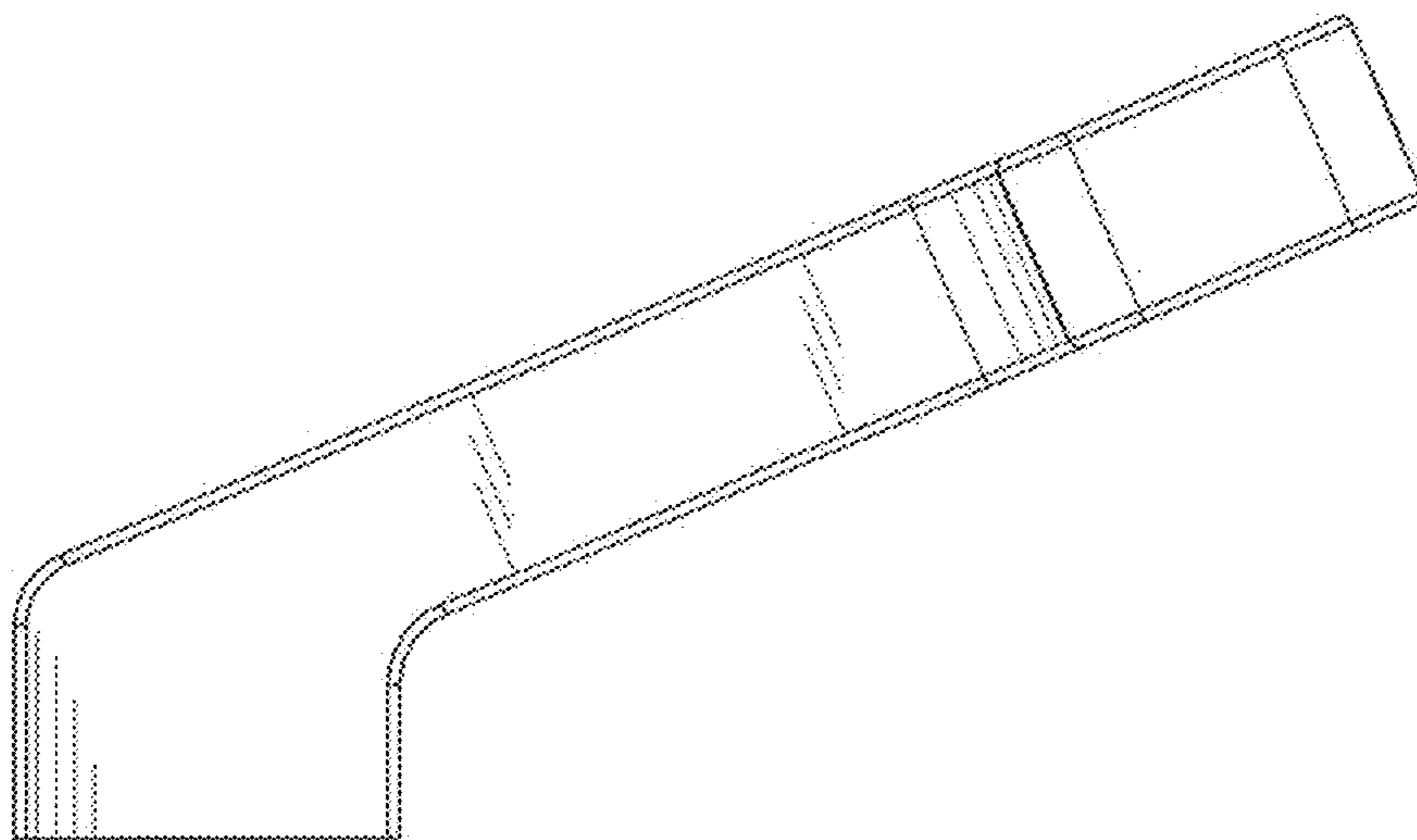


FIG. 3

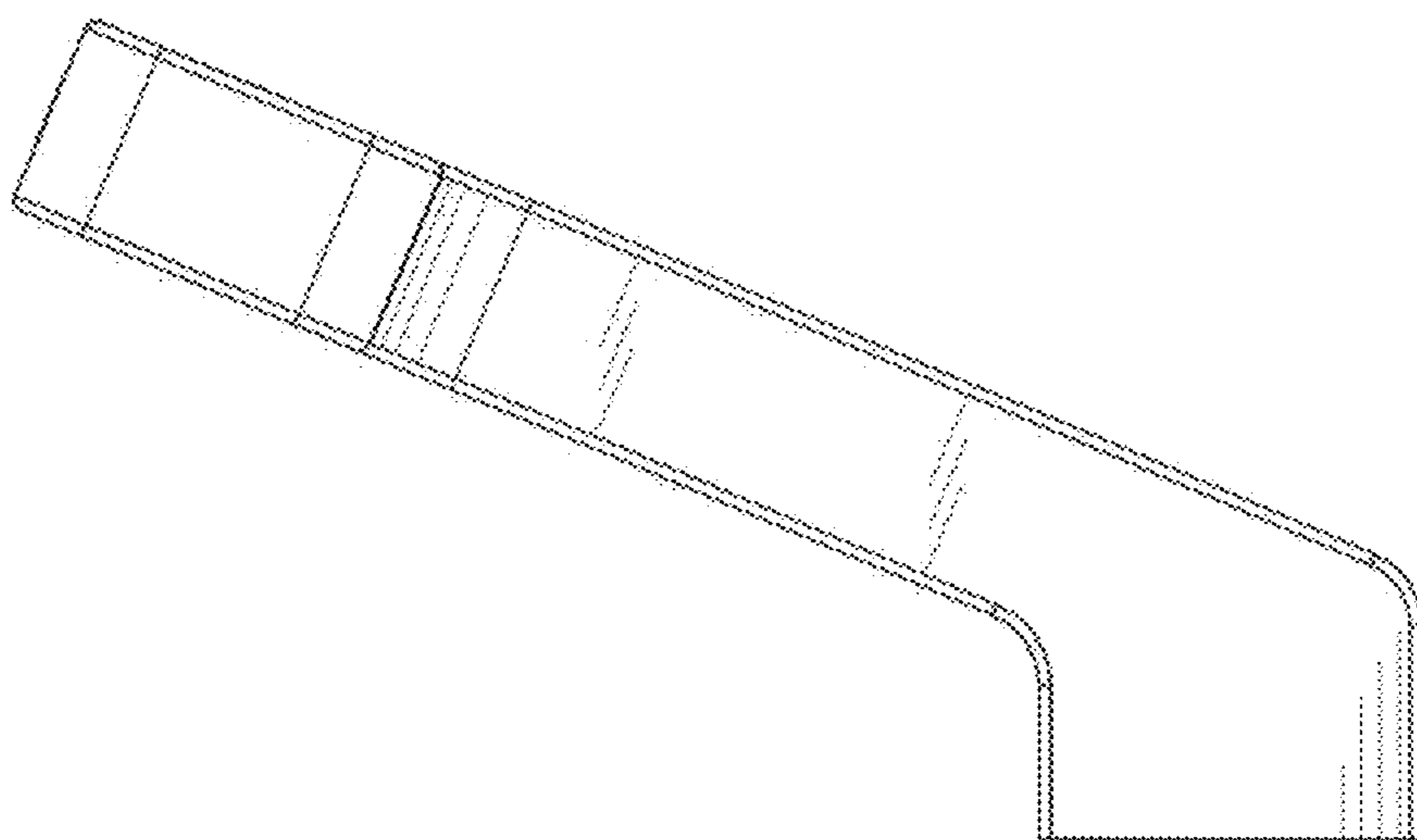


FIG. 4

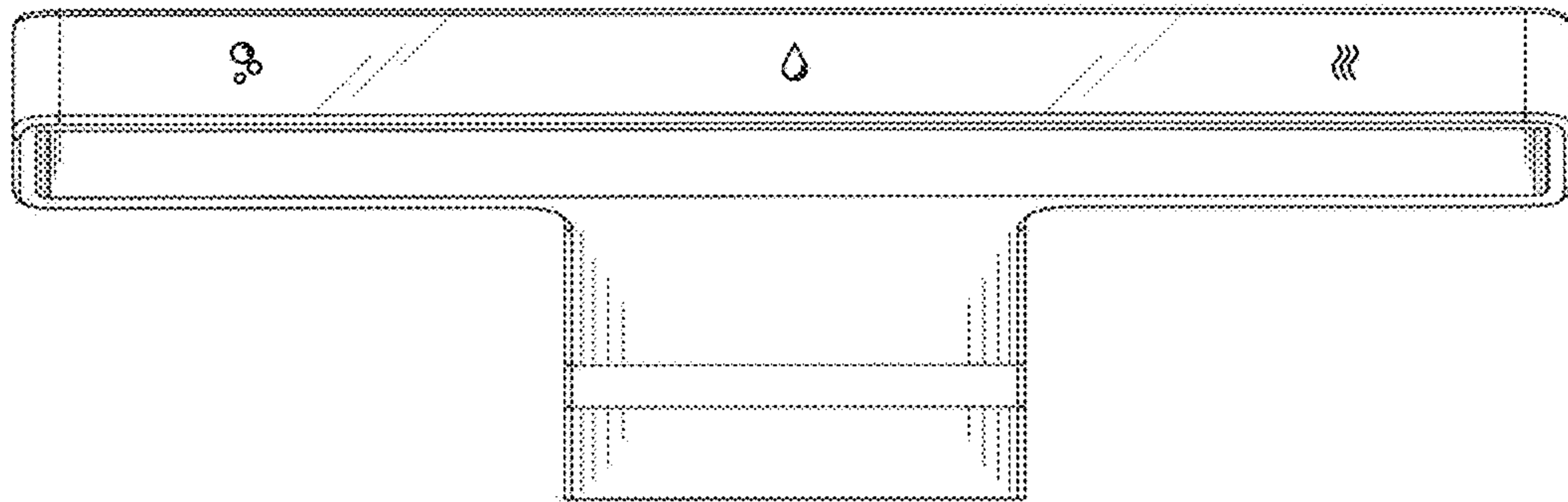


FIG. 5

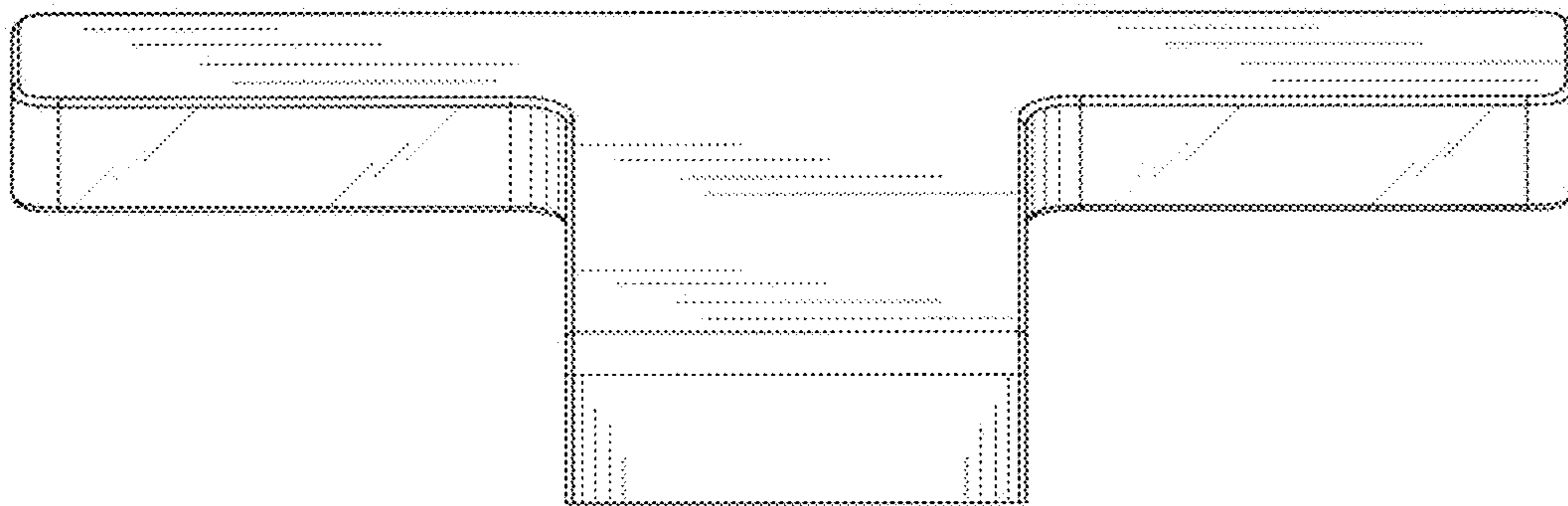


FIG. 6

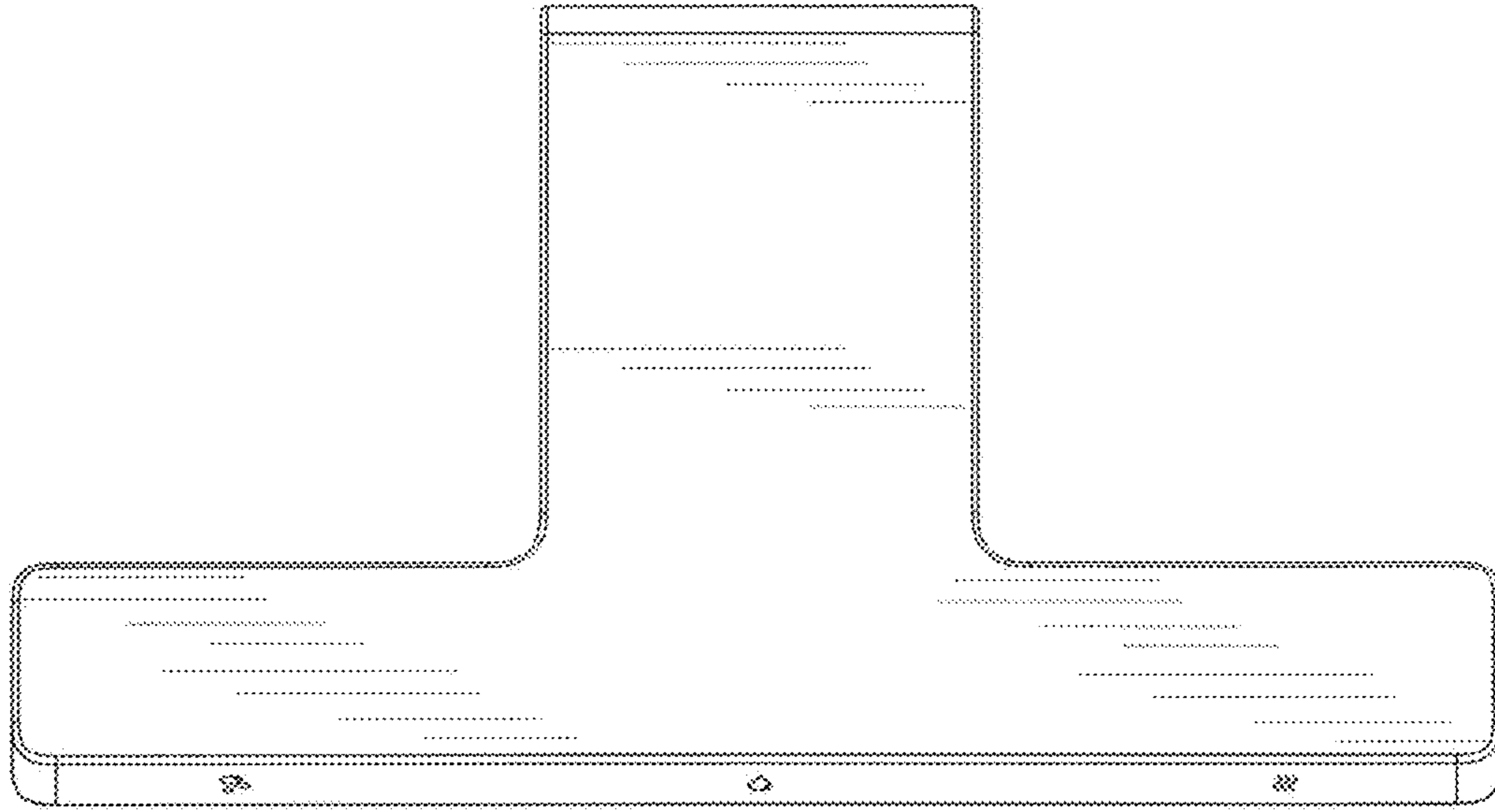


FIG. 7

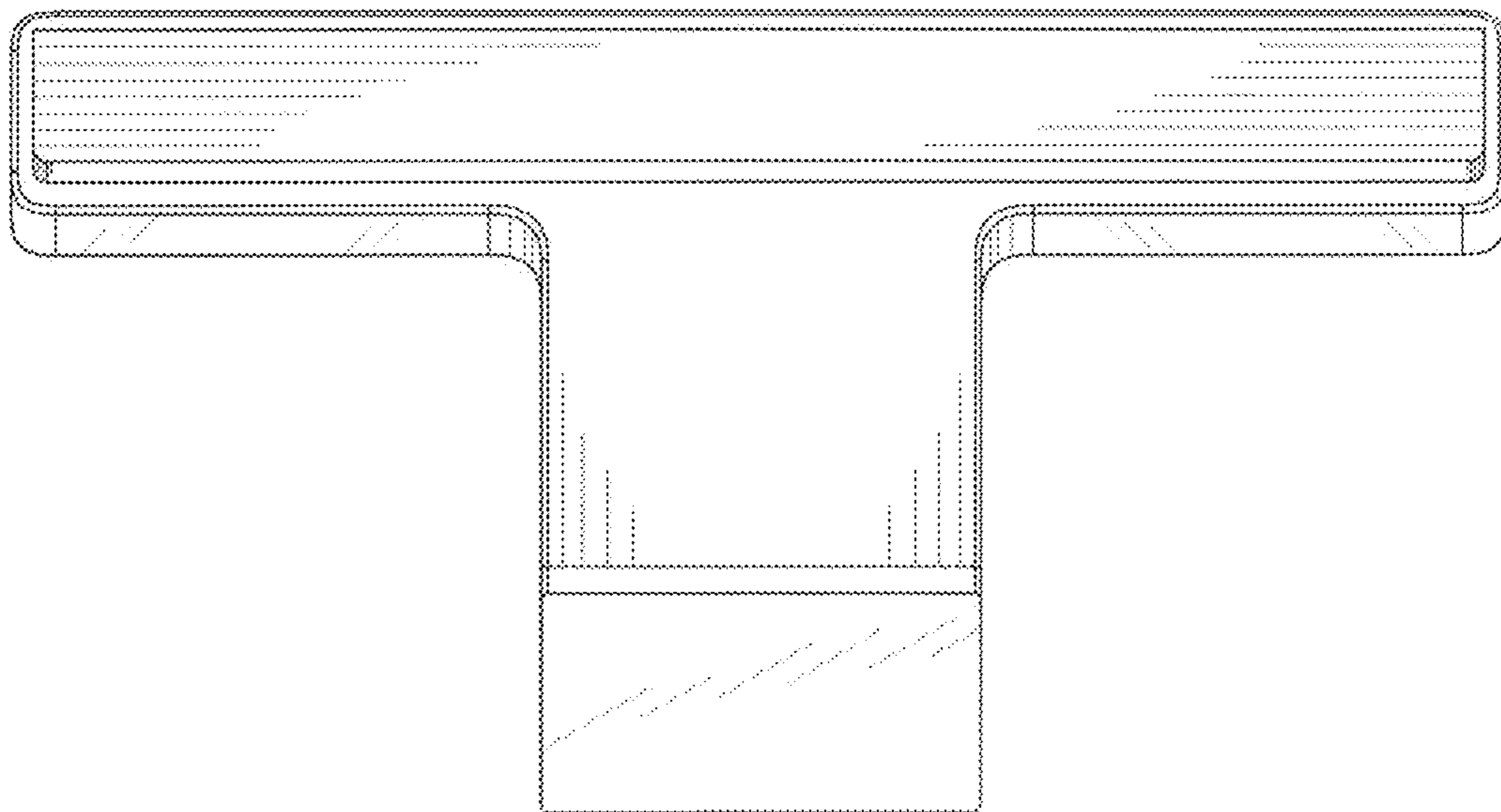


FIG. 8