



US00D820402S

(12) **United States Design Patent**
Zeng

(10) **Patent No.:** **US D820,402 S**
(45) **Date of Patent:** **** Jun. 12, 2018**

(54) **FAUCET**

(71) Applicant: **Foshan Shunde Yajiasi Kitchen Cabinet Co., Ltd.**, Foshan, Guangdong Province (CN)

(72) Inventor: **Deju Zeng**, Foshan (CN)

(**) Term: **15 Years**

(21) Appl. No.: **29/606,148**

(22) Filed: **Jun. 1, 2017**

(51) **LOC (11) Cl.** **23-01**

(52) **U.S. Cl.**
USPC **D23/238**

(58) **Field of Classification Search**
USPC D23/238-243, 249-250, 252, 254-255, D23/257; D08/307-308
CPC Y10T 137/9464
See application file for complete search history.

(56) **References Cited**

U.S. PATENT DOCUMENTS

- D566,811 S * 4/2008 Zhang D23/238
- D691,708 S * 10/2013 Georgeson D23/255
- D706,398 S * 6/2014 Flowers D23/238

* cited by examiner

Primary Examiner — Robert A Delehanty

(74) *Attorney, Agent, or Firm* — Novoclaims Patent Services LLC; Mei Lin Wong

(57) **CLAIM**

The ornamental design of a faucet, as shown and described.

DESCRIPTION

FIG. 1 is a perspective view of a faucet, showing my new design.

FIG. 2 is a second perspective view thereof.

FIG. 3 is a front elevational view thereof.

FIG. 4 is a rear elevational view thereof.

FIG. 5 is a left side elevational view thereof.

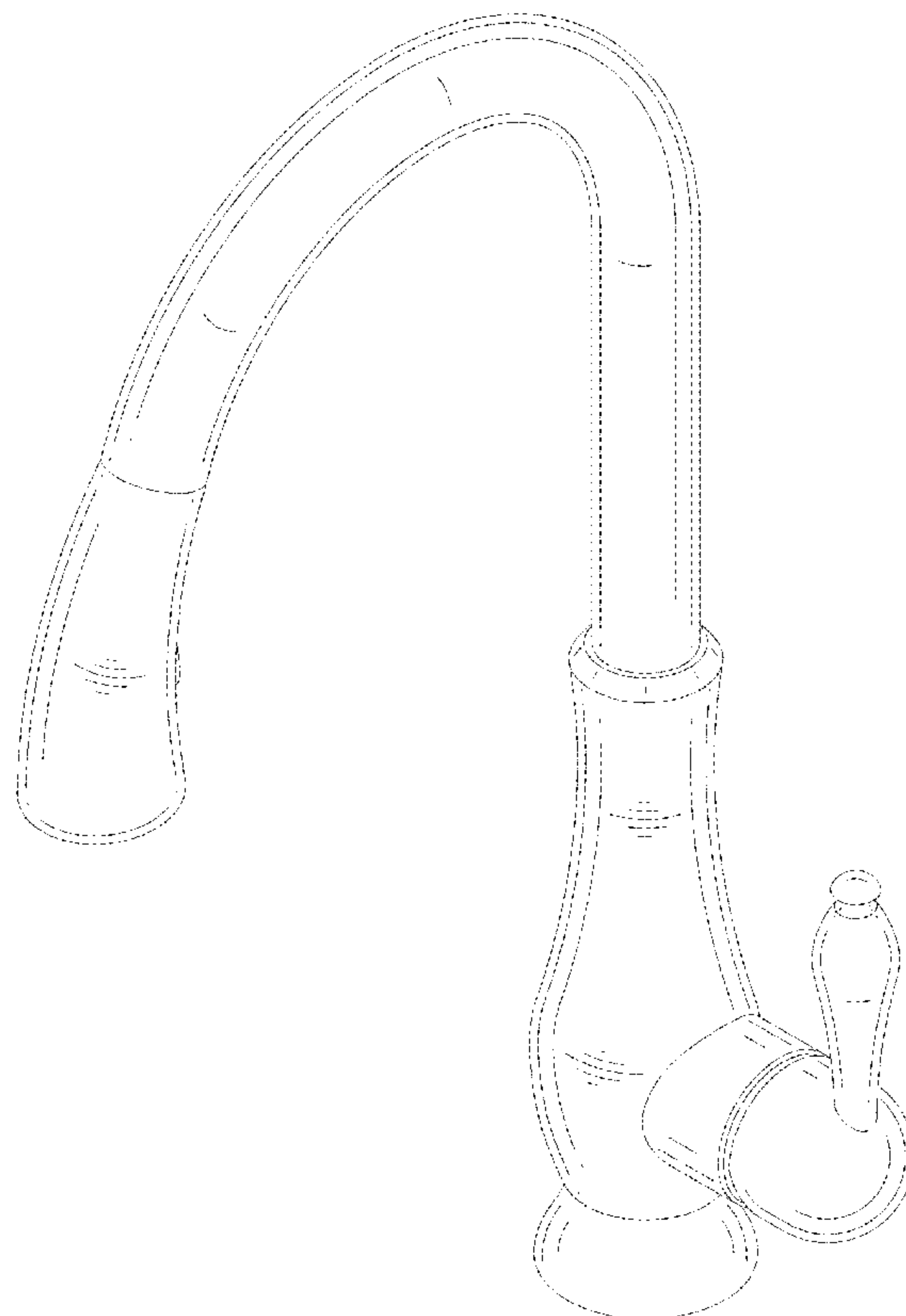
FIG. 6 is a right side elevational view thereof.

FIG. 7 is a top plan view thereof; and,

FIG. 8 is a bottom plan view thereof.

The broken lines in the drawings represent unclaimed subject matter and form no part of the claim.

1 Claim, 8 Drawing Sheets



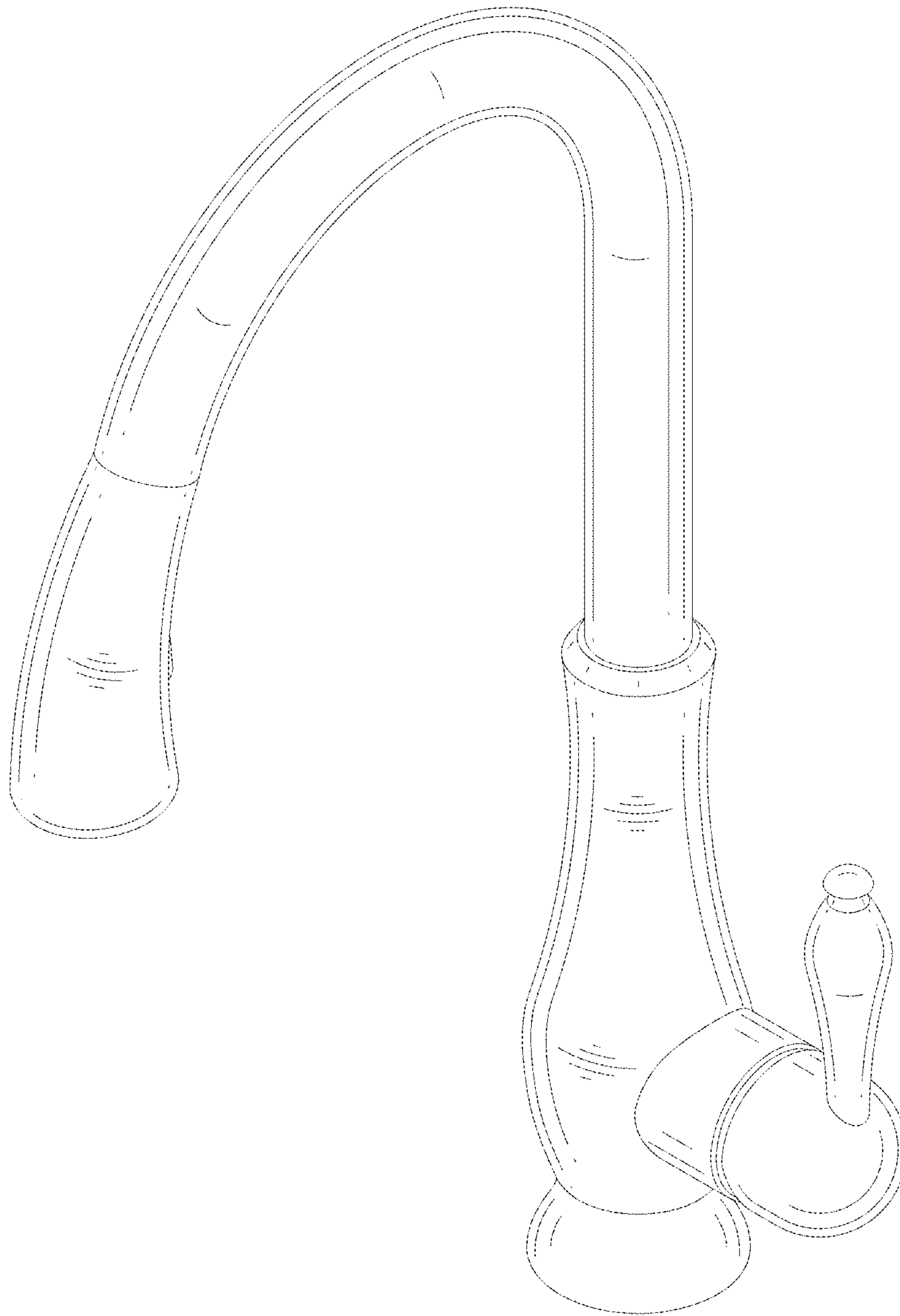


FIG.1

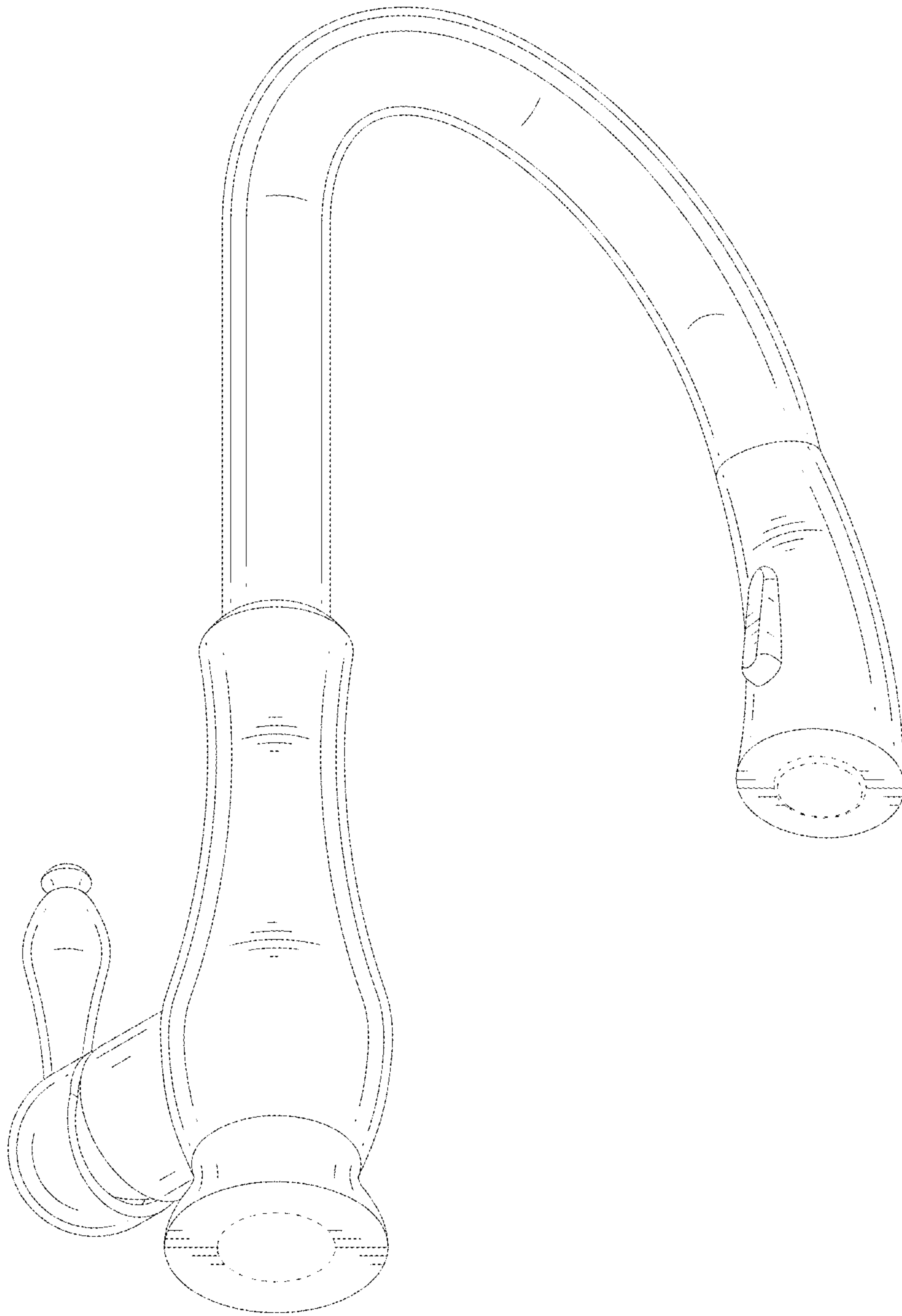


FIG.2

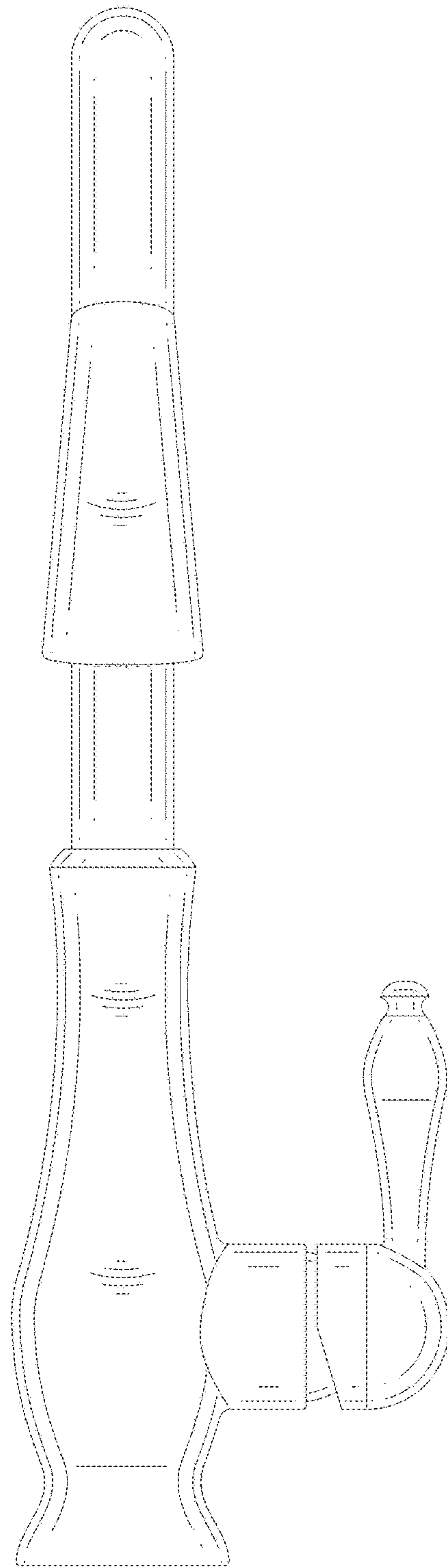


FIG.3

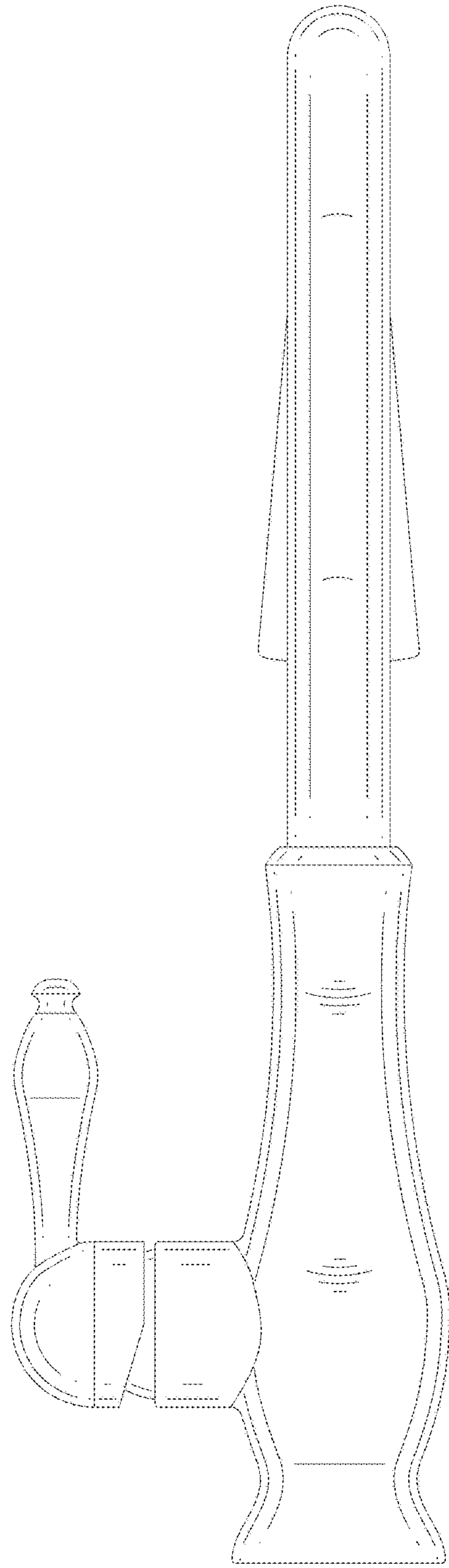


FIG. 4

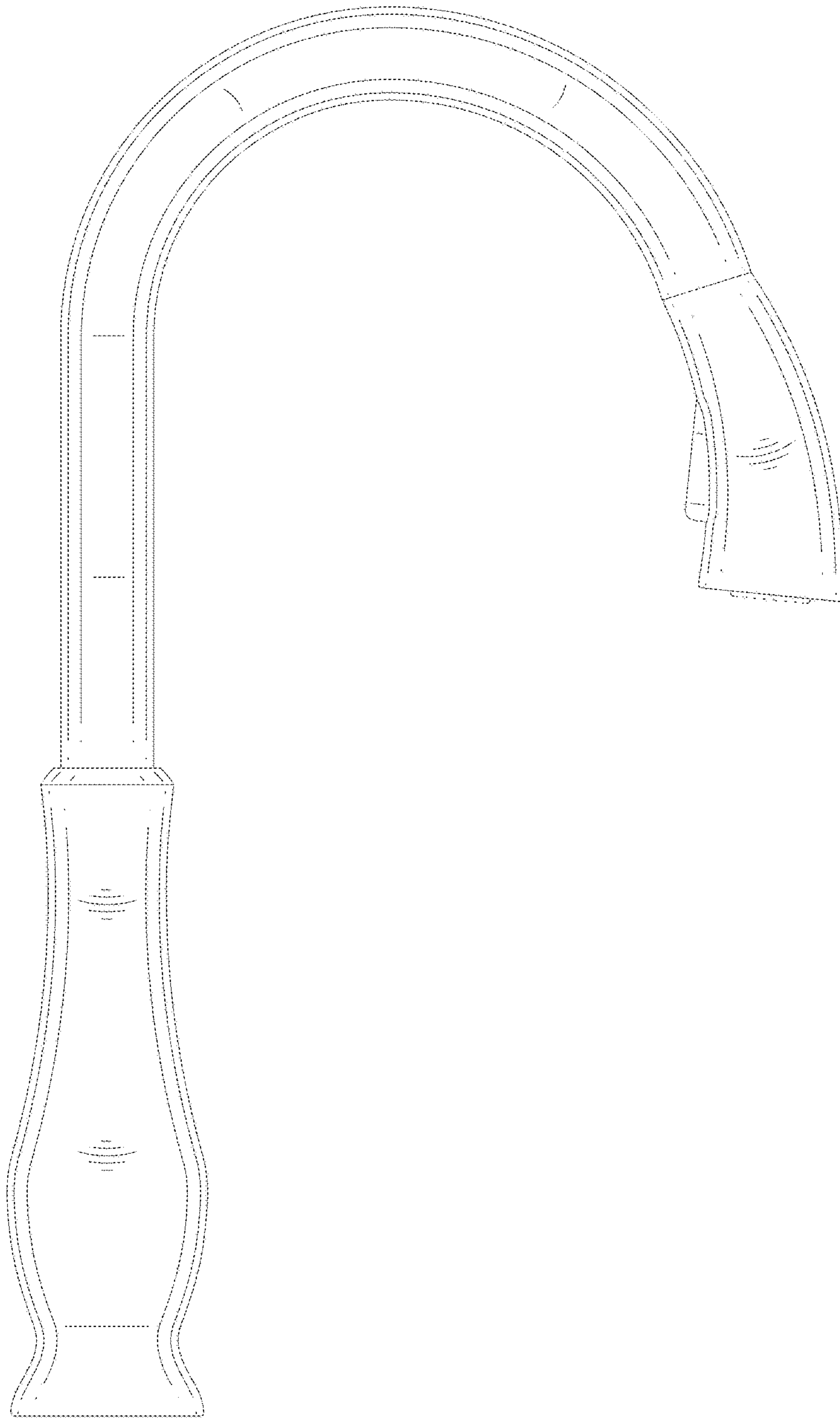


FIG.5

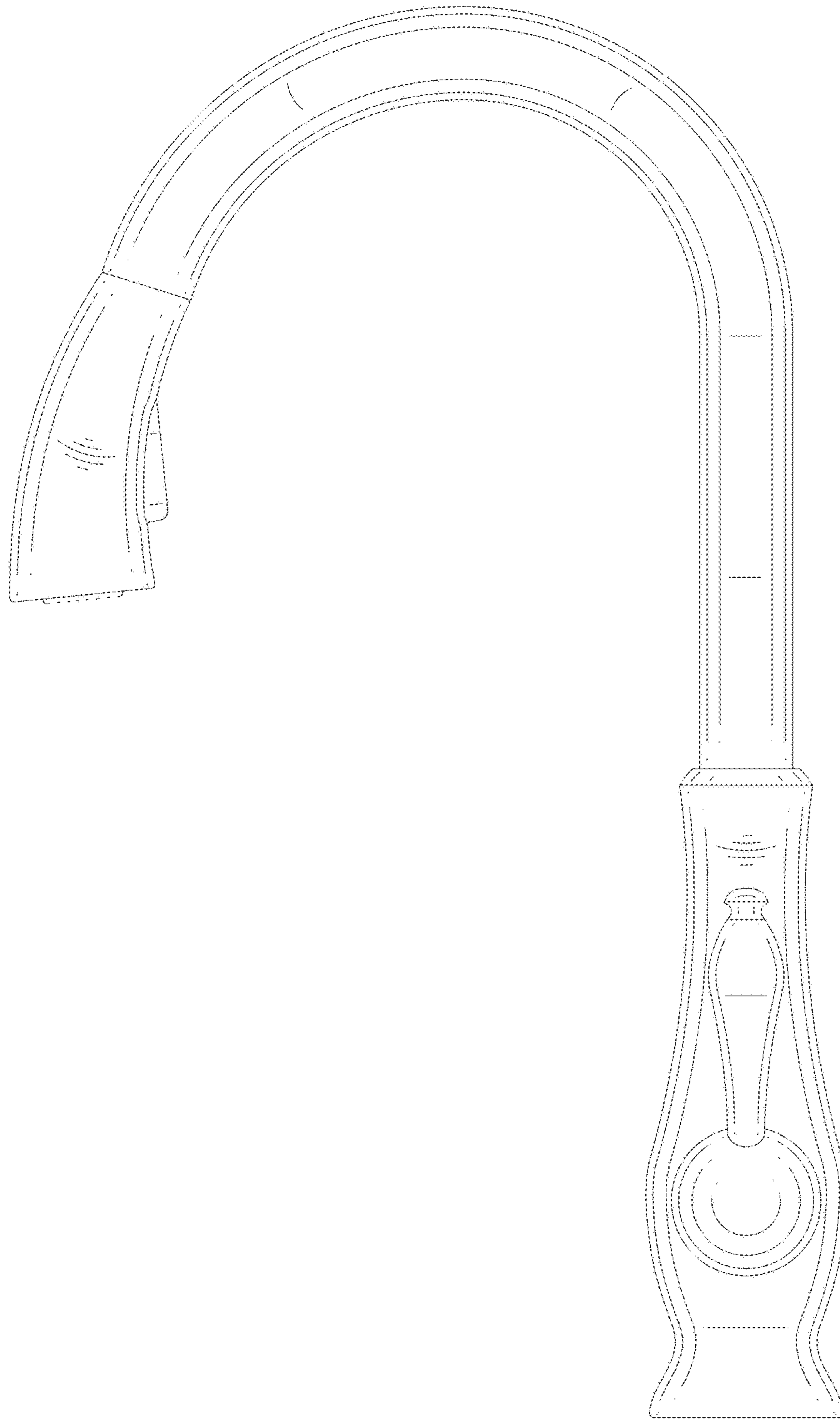


FIG.6

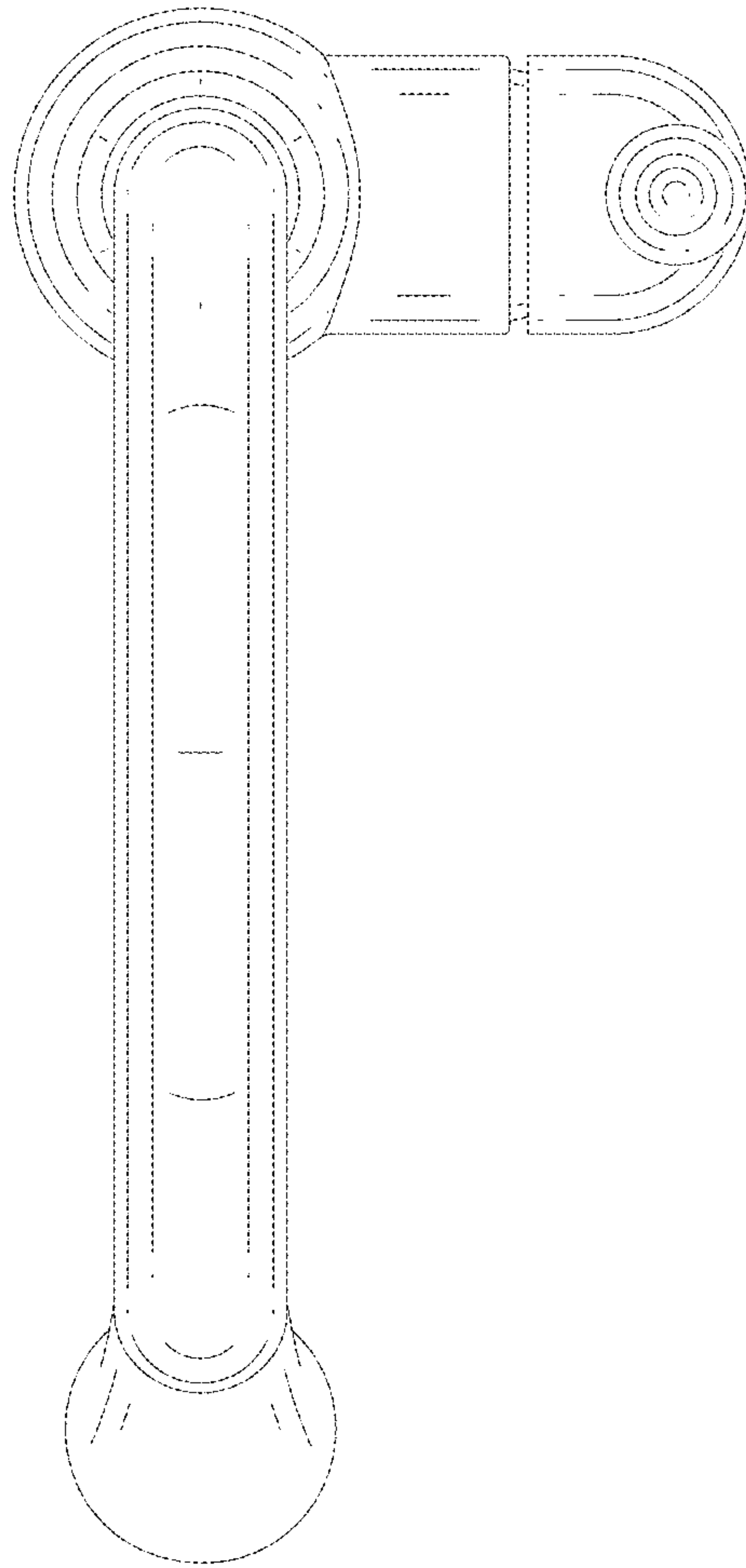


FIG. 7

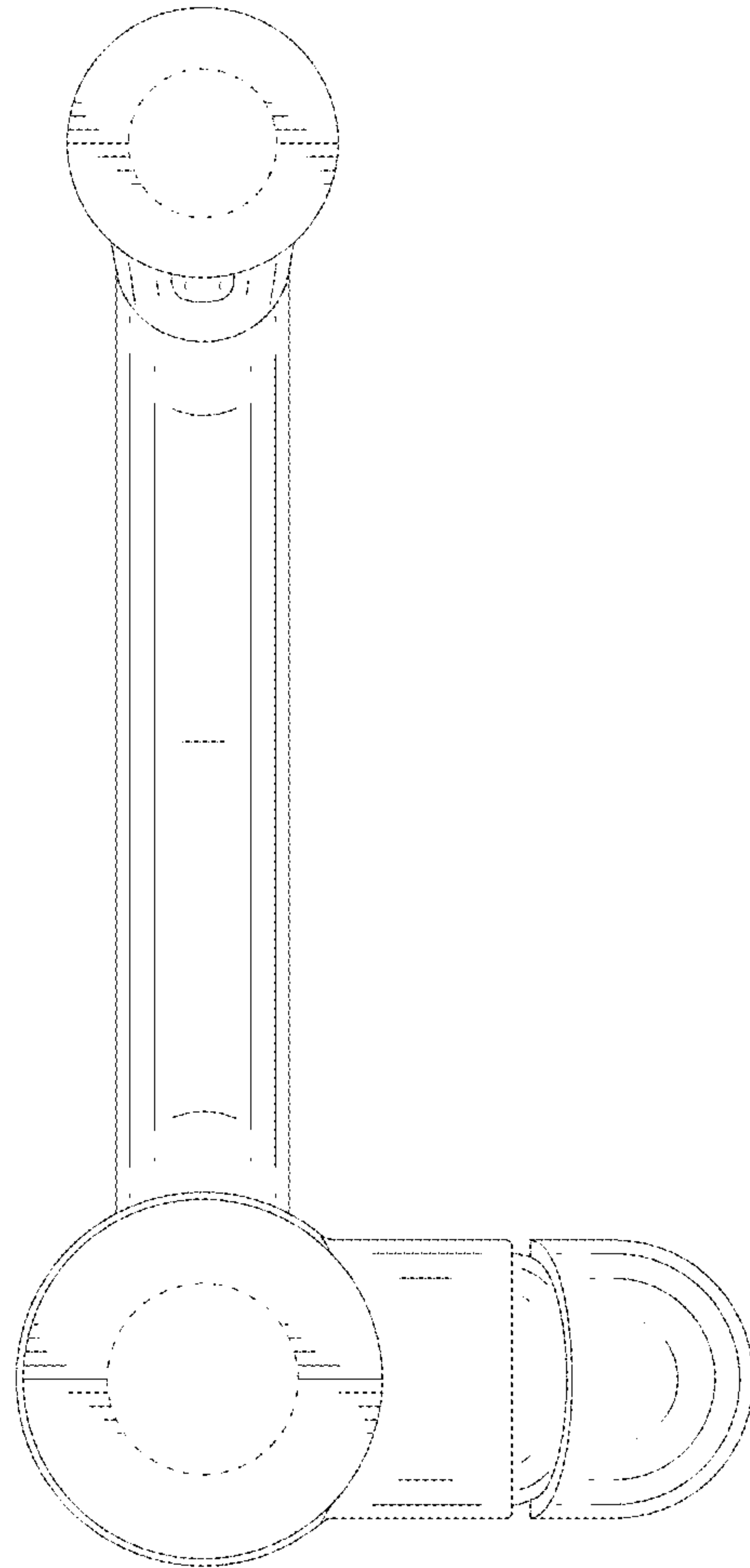


FIG.8